

# REINIGUNG BRENNER | BURNER CLEANING

Anleitung | Instruction

CHEALSEA 420 G

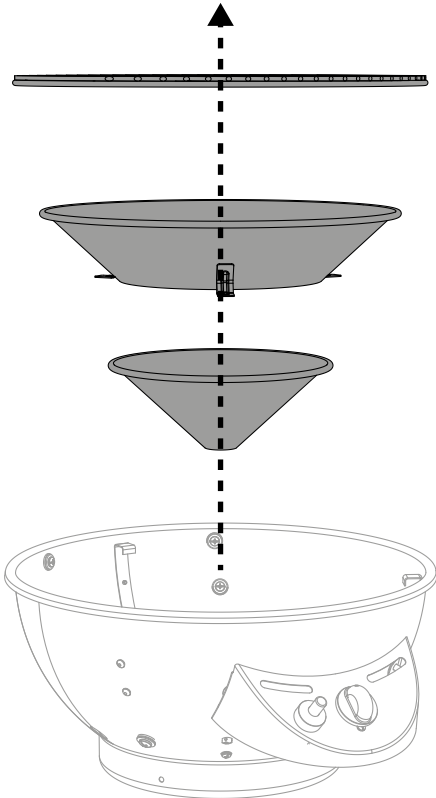
MINICHEF 420 G

CITY 420 G

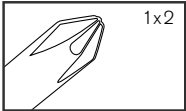
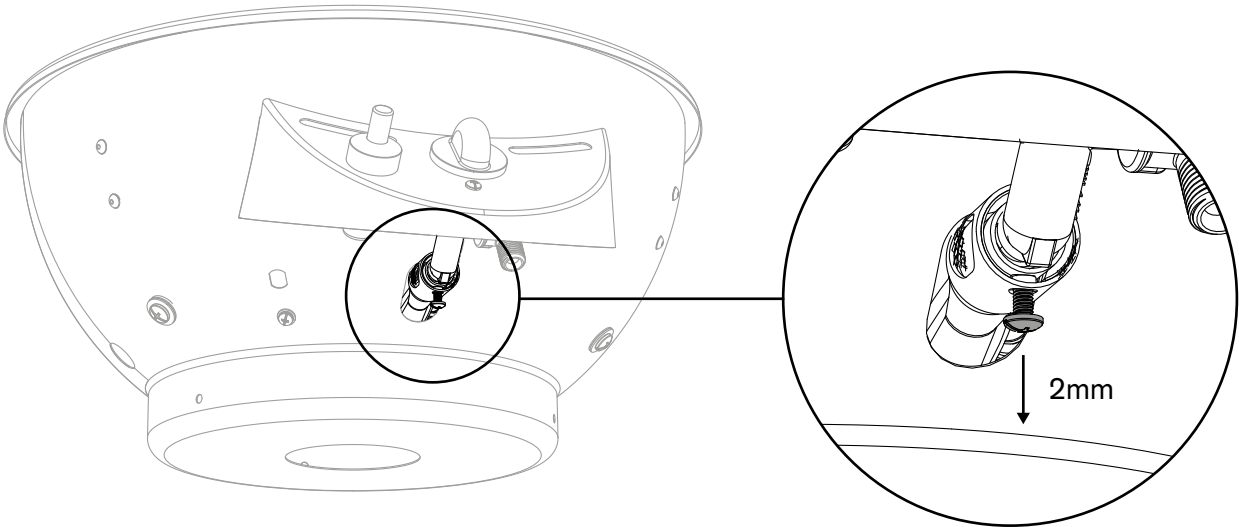


**OUTDOORCHEF**  
SWISS INNOVATION

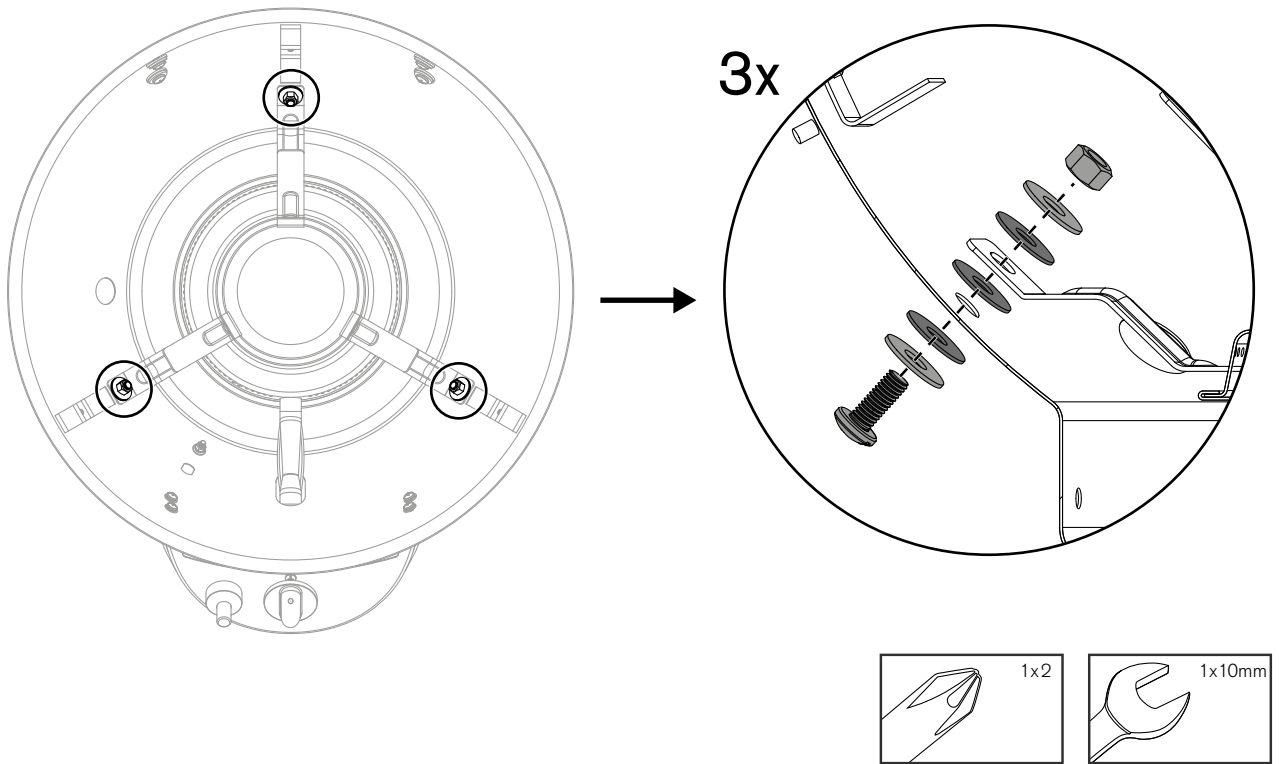
1.



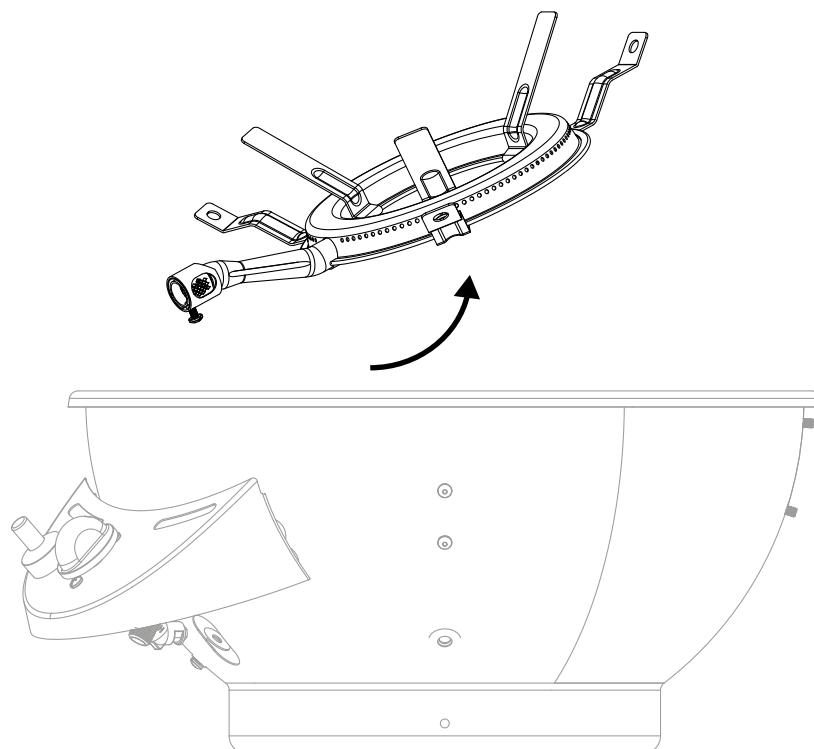
2.



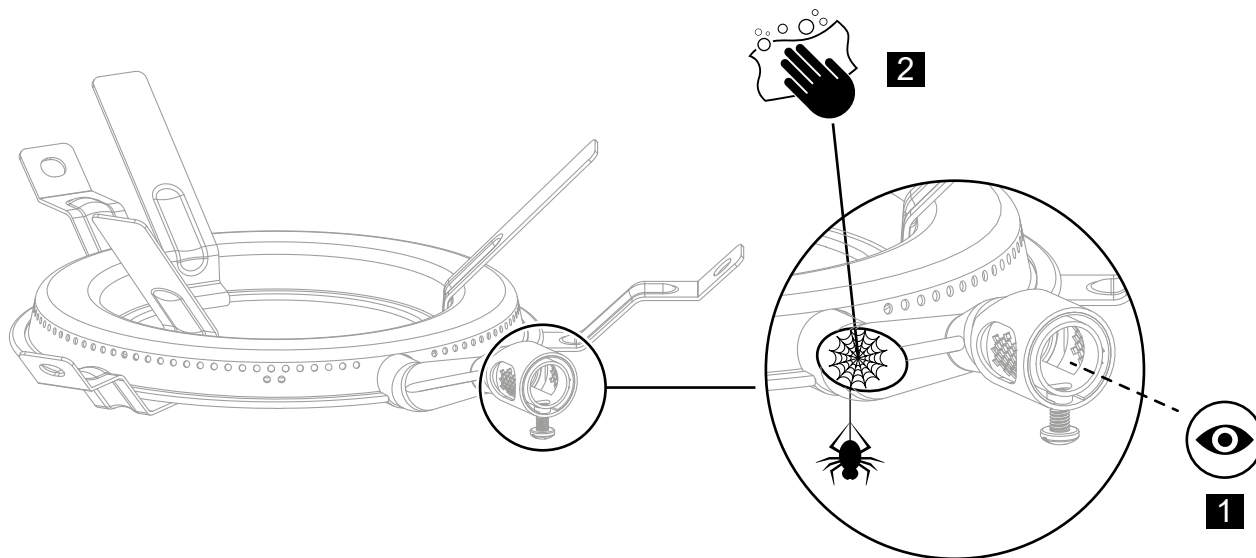
3.



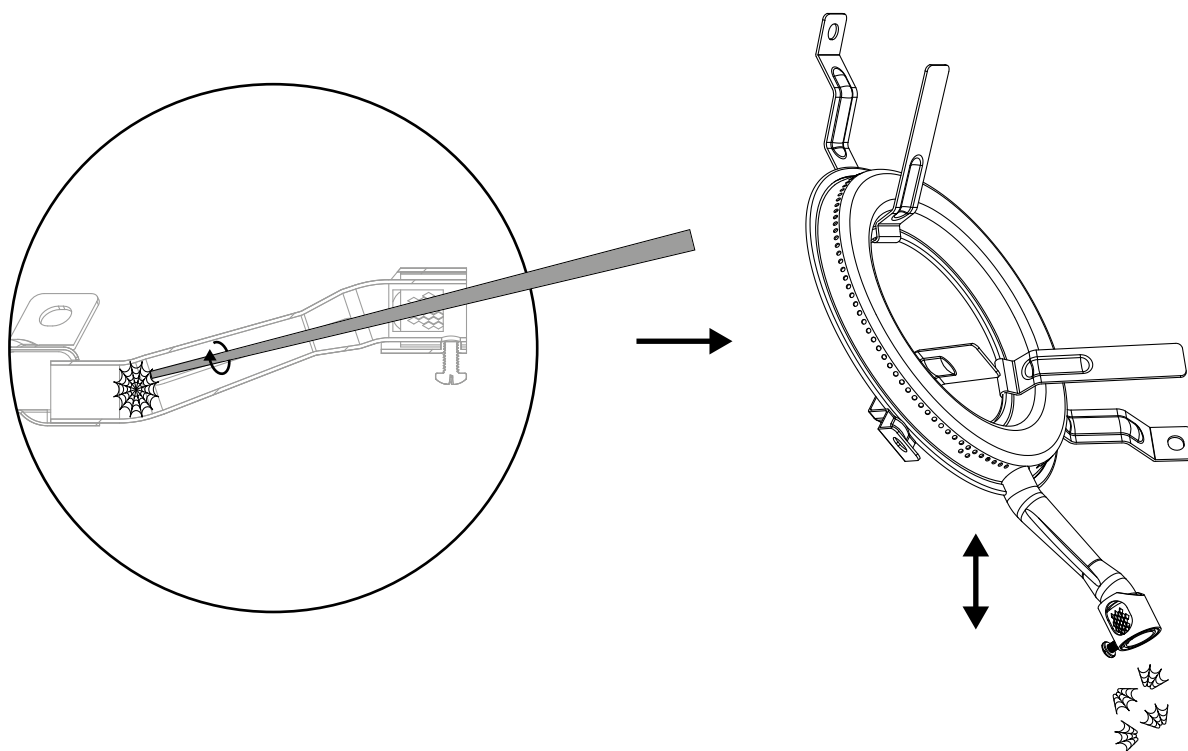
4.



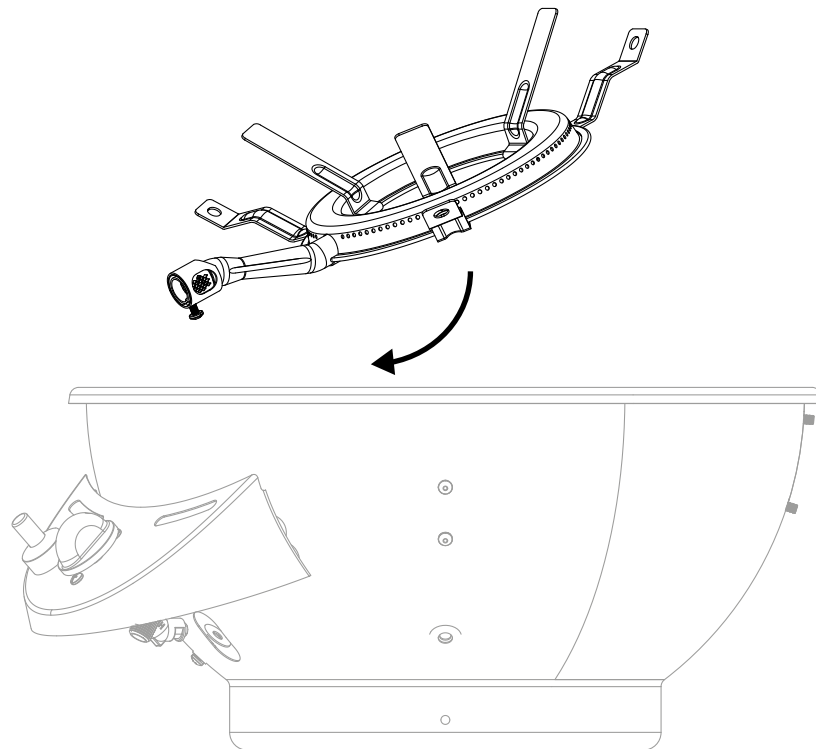
5.



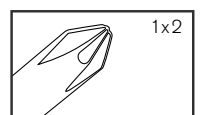
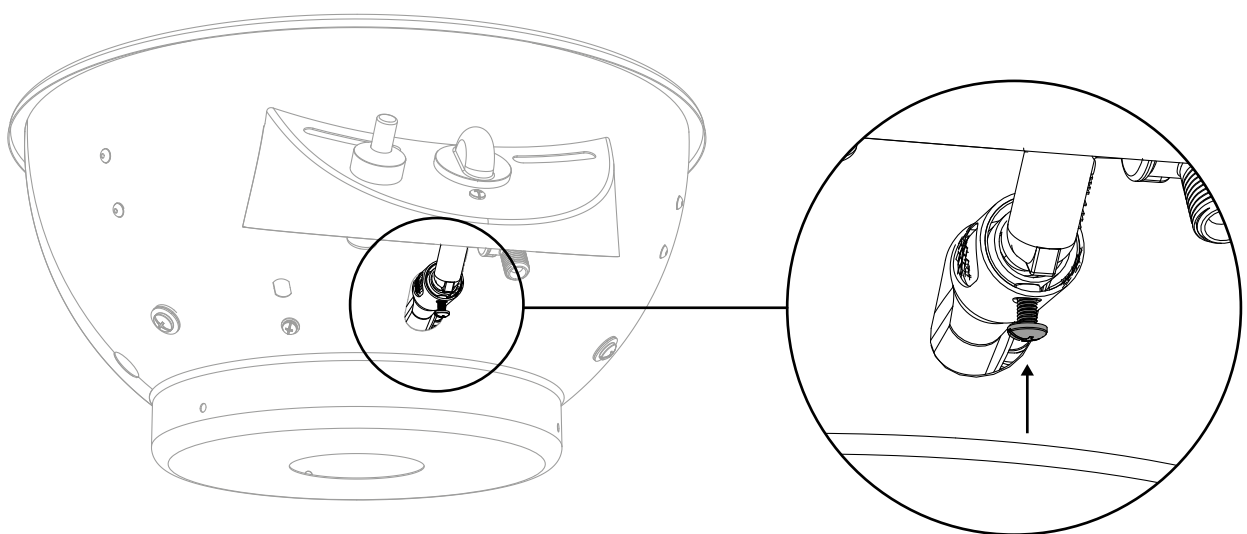
6.



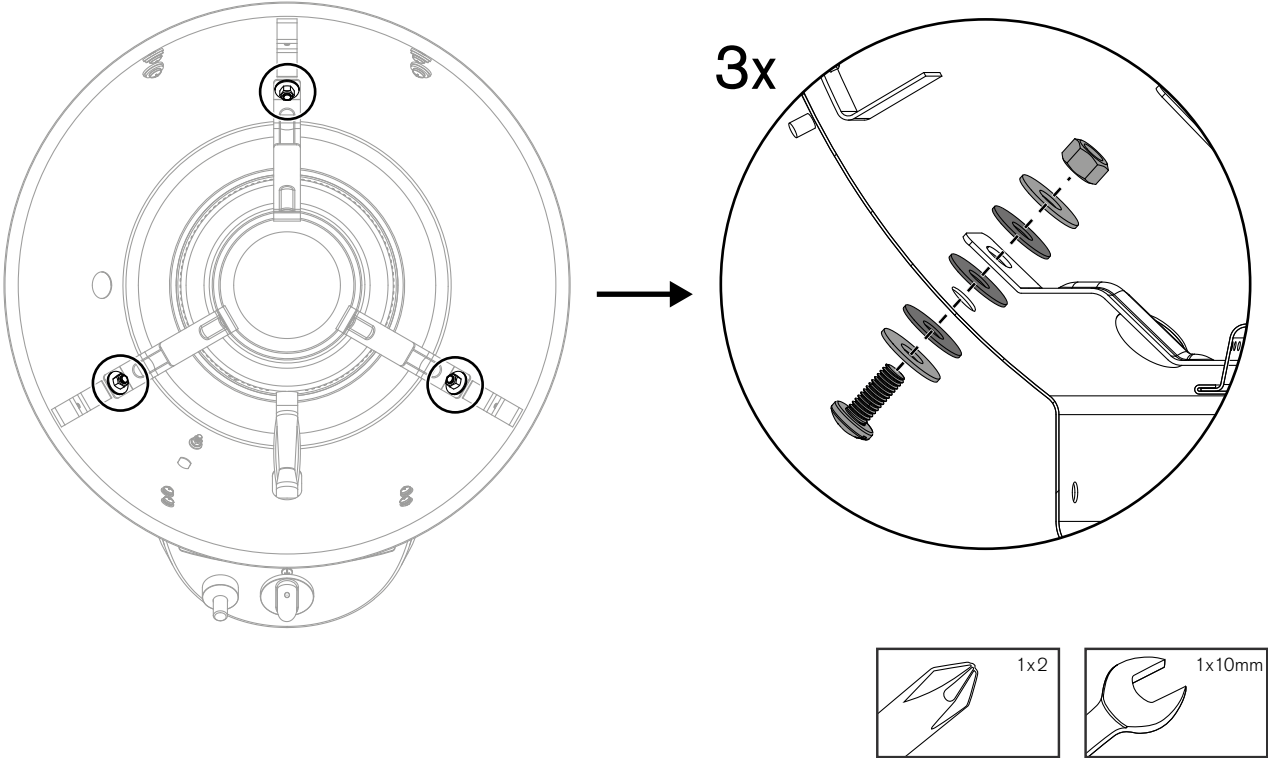
7.



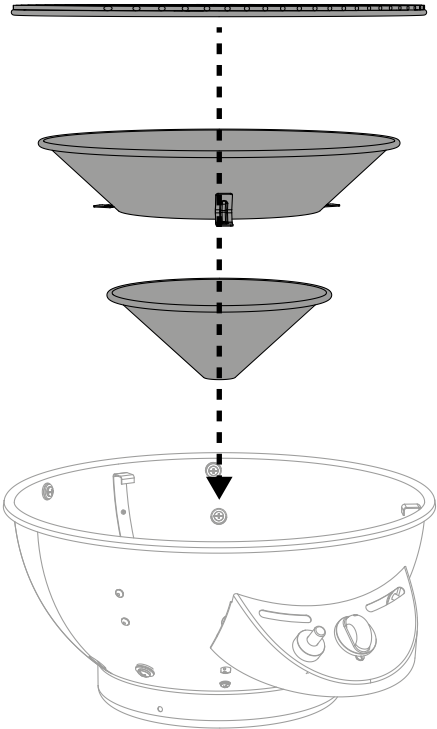
8.



9.



10.







**Outdoorchef AG** | Eggbühlstrasse 28 | Postfach | 8050 Zürich | Switzerland  
**Outdoorchef Benelux B.V.** | Databankweg 26 | 3821 AL Amersfoort | The Netherlands  
**Outdoorchef Austria GmbH** | Handelskai 94-96 / 23rd & 24th F | 1200 Vienna | Austria  
**Outdoorchef Deutschland GmbH** | Ochsenmattstr. 10 | 79618 Rheinfelden | Germany