

Material: HDPE
Colour: BLACK

101 R00	01/09/2005	EDM13
Revision	Issue Date	ELN Reference

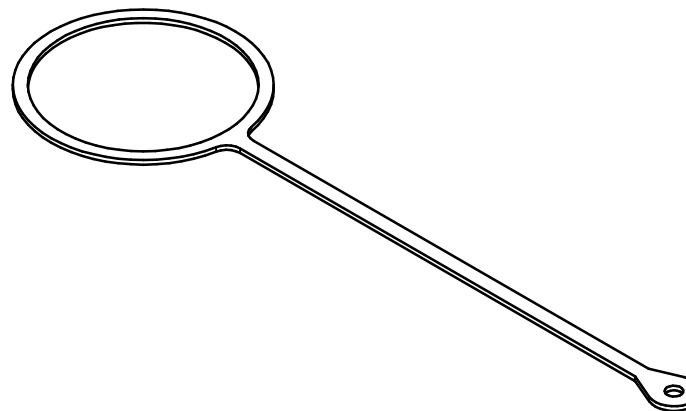
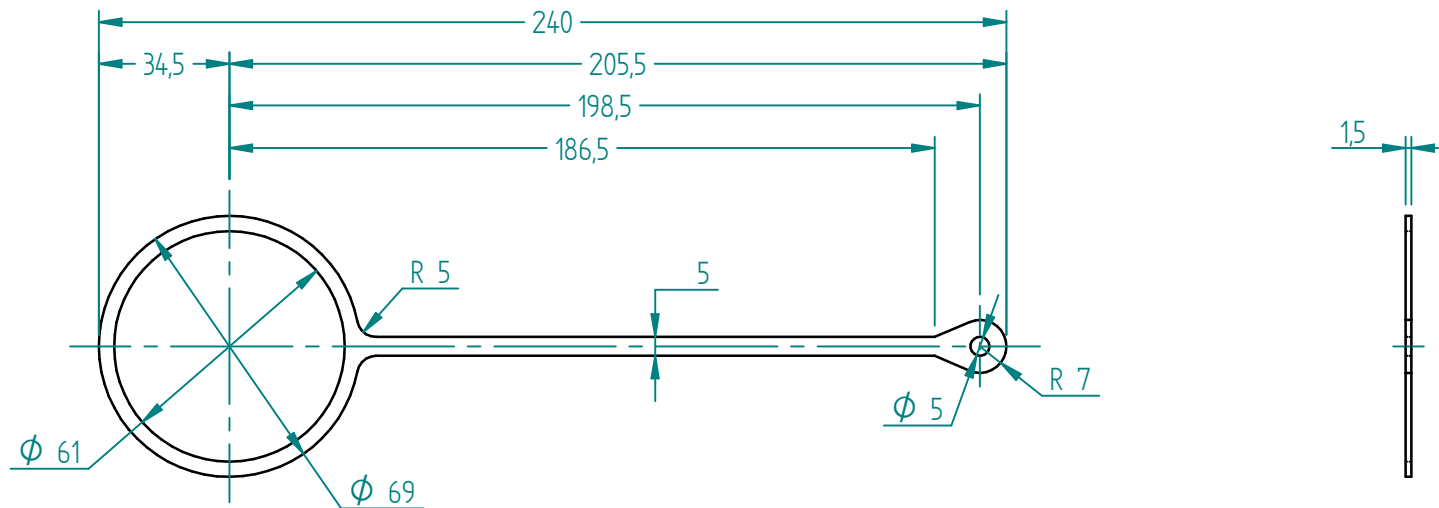
THE INFORMATION, DATA, AND DRAWINGS EMBODIED IN THIS DOCUMENT ARE STRICTLY CONFIDENTIAL AND ARE SUPPLIED WITH THE UNDERSTANDING THAT THEY WILL NOT BE DISCLOSED TO ANY THIRD PARTIES WITHOUT THE PRIOR WRITTEN CONSENT OF HARLEQUIN MANUFACTURING LTD
COPYRIGHT Sole property of Harlequin Manufacturing Ltd. All rights reserved

UNLESS OTHERWISE SPECIFIED, DIMENSIONS ARE IN MM
 LINEAR TOLERANCE $\pm 0.25\text{mm}$, ANGLES $\pm 0.5^\circ$
 DO NOT SCALE DRAWING - Use Figure Dimensions Only
IF IN DOUBT, ASK

TITLE: **2" BSP Plastic Screw Cap**
 ITEM NO:
 MATERIAL: HDPE
 Pantone Black 2 - Black 5

DWG NO: 01-004-001
 REVISION: 00
 SHEET: 1 of 1
 FILE NAME: 2" Screw Cap.dft

ISSUE DATE: 08/01/2013
 DRAWN BY: JC
Harlequin
 MANUFACTURING FOR TOMORROW
 Harlequin Manufacturing Ltd
 21 Clarendon Road
 Moira
 Co. Armagh
 BT67 0PB
 www.harlequin-mfg.com



101R00	01/09/2005	ECN113
Revision	Issue Date	ECN Reference

UNLESS OTHERWISE SPECIFIED: DIMENSIONS ARE IN MM
 LINEAR TOLERANCE ± 0.25mm, ANGLES ±0.5°

DO NOT SCALE DRAWING - Use Figure Dimensions Only

IF IN DOUBT, ASK

TITLE: **2" Screw Cap Retaining Strap**

ITEM NO: MATERIAL: HDPE
 Pantone Black 2 - Black 5

DWG NO: 01-004-002 ISSUE DATE: 08/01/2013

REVISION: 00 DRAWN BY: JC

SHEET: 1 of 1

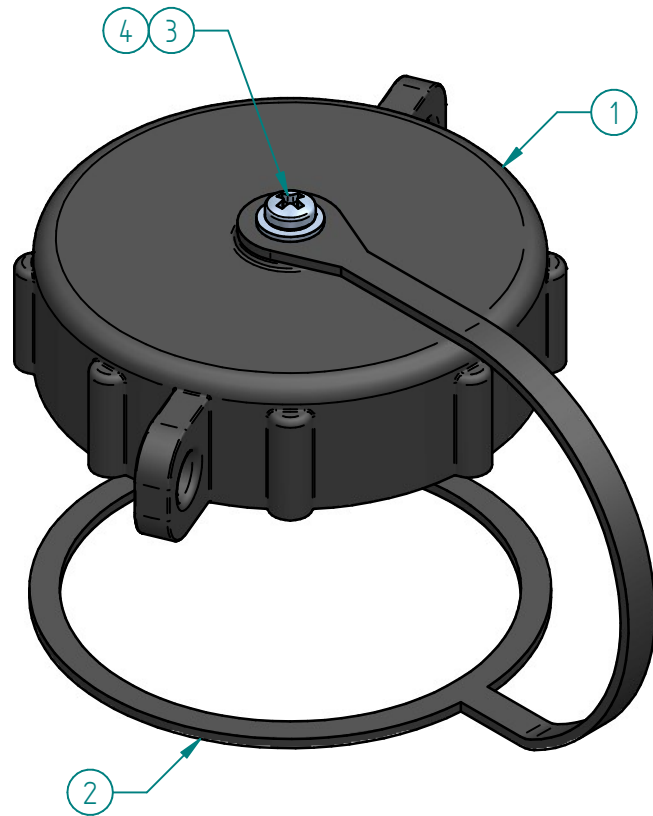
FILE NAME: 2" Screw Cap.dft

Harlequin[®]
 MANUFACTURING FOR TOMORROW

Harlequin Manufacturing Ltd
 21 Clarehill Road
 Moira
 Co. Armagh
 BT67 0PB
 www.harlequin-mfg.com

THE INFORMATION, DATA, AND DRAWINGS EMBODIED IN THIS DOCUMENT ARE STRICTLY CONFIDENTIAL AND ARE SUPPLIED WITH THE UNDERSTANDING THAT THEY WILL NOT BE DISCLOSED TO ANY THIRD PARTIES WITHOUT THE PRIOR WRITTEN CONSENT OF HARLEQUIN MANUFACTURING LTD

COPYRIGHT Sole property of Harlequin Manufacturing Ltd All rights reserved



Item	Qty	Description	Drawing No.
1	1	2" BSP Plastic Screw Cap	01-004-001
2	1	2" Screw Cap Retaining Strap	01-004-002
3	1	M4x12mm Self Tapping Screw Stainless Steel	-
4	1	M4 Washer Stainless Steel	-

101R00	01/09/2005	ECN113
Revision	Issue Date	ECN Reference

UNLESS OTHERWISE SPECIFIED: DIMENSIONS ARE IN MM
 LINEAR TOLERANCE ± 0.25mm, ANGLES ±0.5°
 DO NOT SCALE DRAWING - Use Figure Dimensions Only
IF IN DOUBT, ASK

TITLE: **2" Screw Cap Assembly**
 ITEM NO: CPF006
 MATERIAL:

DWG NO: 01-004-003 ISSUE DATE: 08/01/2013
 REVISION: 00 DRAWN BY: JC
 SHEET: 1 of 1
 FILE NAME: 2" Screw Cap.dft

Harlequin[®]
 MANUFACTURING FOR TOMORROW

Harlequin Manufacturing Ltd
 21 Clarehill Road
 Moira
 Co. Armagh
 BT67 0PB
 www.harlequin-mfg.com