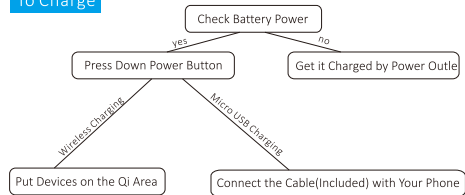


## HOW TO USE

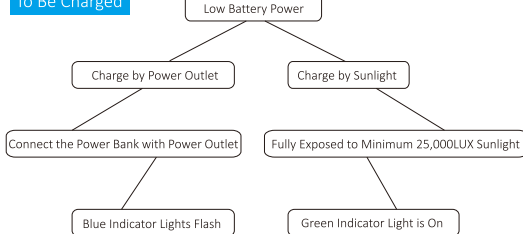
**NOTE:** Its advised to take the solar charging feature as the emergency back-up solution instead of main power sources due to sunlight intensity and panel conversion rate.

Make sure that your power bank is fully charged by power outlet before starting your long journey.

### To Charge



### To Be Charged



## PRODUCT MAINTENANCE

- If you are not using the device for a long time, charge it by power outlet at least every six months.
- Do not use wireless charging function while charging the power bank.

## IMPORTANT NOTICE

- The product is suit for 5V/2V devices, or it will be in protection status and won't work.
- Keep it away from wet environment and corrosive substances.
- Do not try to refit, disassemble it.

## QUALITY WARRANTY

All products sold by BLAVOR enjoy 12 months warranty, the guarantee period begins from the date you purchase it.

During the period if there are any problems, which is verified by our engineer team as not being damaged by man-made factors, BLAVOR is responsible for it and our team will be with you until its solved.

## CUSTOMER SERVICE

BLAVOR offers timely and considerable customer services, if there are any problems, feel free to contact us, we will get back to you within 12hours.

We'd love to get some feedbacks from you, so it could help us improve our products and customer services.

Thank you for choosing BLAVOR

CONTACT US  
Support@blavor.com

## Welcome Guide



NO:PNW05  
Qi Solar Power Bank

## US

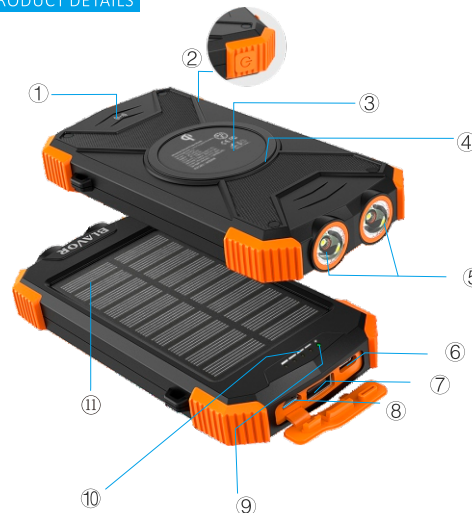
### PRODUCT PARAMETERS

Product Name	Wireless Solar Power bank
Micro USB Input	DC 5V 2.1A
Type C Input	DC 5V 2.1A
USB Output	DC 5V 2.1A
Wireless Output	DC 5V 1.0A
Battery Capacity	10,000mah
Battery Type	Polymer Lithium Battery
Qi Compatible Devices	All Qi-Enabled Devices
Waterproof Rating	IPX4 (Splash Proof)
Product Size	5.9*3.1*0.8in
Product Weight	9.6oz

### PACKAGE CONTENTS

1\*Solar Power Bank    1\*User Manual  
1\* 2A 11.8in Cable    1\*Compass Ring

### PRODUCT DETAILS



#### ① wireless charging indicator

Press the "power button", then the "wireless charging indicator" and "battery power indicator" is going to turn on, if no Qi-enabled devices get close to the qi wireless charging area within 20S, it will be off.

#### ② power button

Press the "power button", then the function of wireless charging and cable output charging turns on.

#### ③ wireless charging area

The wireless charging feature only suit for qi-enabled devices, pls figure out whether your phone is Qi-enabled before charging it.

#### ④ anti-slip rubber mat

A circle of premium anti-slip rubber mat is designed for preventing your phone from falling off.

#### ⑤ dual led flashlight

Press the power button for at least 5 seconds to turn on/off the flashlights.

#### ⑥ Type C input

DC 5V 2.1A type C port is a new tech designed for future use.

#### ⑦ usb output:DC 5V 2.1A,

#### ⑧ micro usb input:DC 5V 2.1A,

#### ⑨ solar charging indicator

Color-green, When the sunlight intensity is above 25,000lux and the solar panel are fully exposed to the sunlight, so the solar charger can charge itself with max 180ma currency.

#### ⑩ battery power indicator

Color-blue, press the "power button", the indicator is going to turn on.Fours lights from left to right represent 25%/50%/ 75%/100% power capacity, When you charge the power bank by micro USB port, all the indicator lights flash in sequence till it's fully charged.

#### ⑪ sunlight receiving panel

Minimum sunlight intensity 25,000LUX, 180ma charging currency.