

Care Instructions

Tanso Round Table - designed by David Irwin

The table is manufactured using solid Teak that has been sourced from controlled forest plantations in Thailand.

Skilled craftsmen manufacture this product and there will be a variety of grain and colour between each table. Wood is a natural product and colour and grain variations are always present.

Teak is a durable timber with a high oil and resin content, this means it is ideal for outdoor furniture, requiring little amounts of care to keep looking its best. Over time, the Teak will start to change colour going from a rich golden colour to Silver-Grey. This is natural and does not reflect the quality of the wood or its durability but is down to a purely aesthetic change.

It is recommended that no abrasive cleaners or solvents are used to clean the furniture. We recommend only using warm water with a diluted mild detergent to clean off the dirt that has formed over time and using a soft bristle brush. Regular cleanings will help to keep the original golden appearance of the teak if desired. Over long periods the teak might stay silver/grey after cleaning as this is how the timber ages. If you are looking to get the timber back to its original appearance you could lightly sand the whole product to remove the top (silver/grey) layer of timber. If you do use this method, please take extra care not to over sand or damage details of the product by flattening off when sanding.

Proprietary Teak oil can also be applied to help maintain the original finish – however please test on a small part of the product that is not seen (i.e., underside of the table slats) before using as some teak oils can darken the appearance.

It is not recommended to use a pressure washer when cleaning teak furniture as it can damage the surface of the teak furniture. There are also specific teak cleaning products available, we would recommend the Osmo Wood Reviver Gel as a good way to restore the product to its original finish.

We recommend that the product is covered when not in use and during extreme weather conditions to prolong the finish of the product and reduce the amount of cleaning required.

We thank you for purchasing this product and wish you many years of enjoyable and functional use.

For more related products please visit: www.casefurniture.com

Tanso Round Table

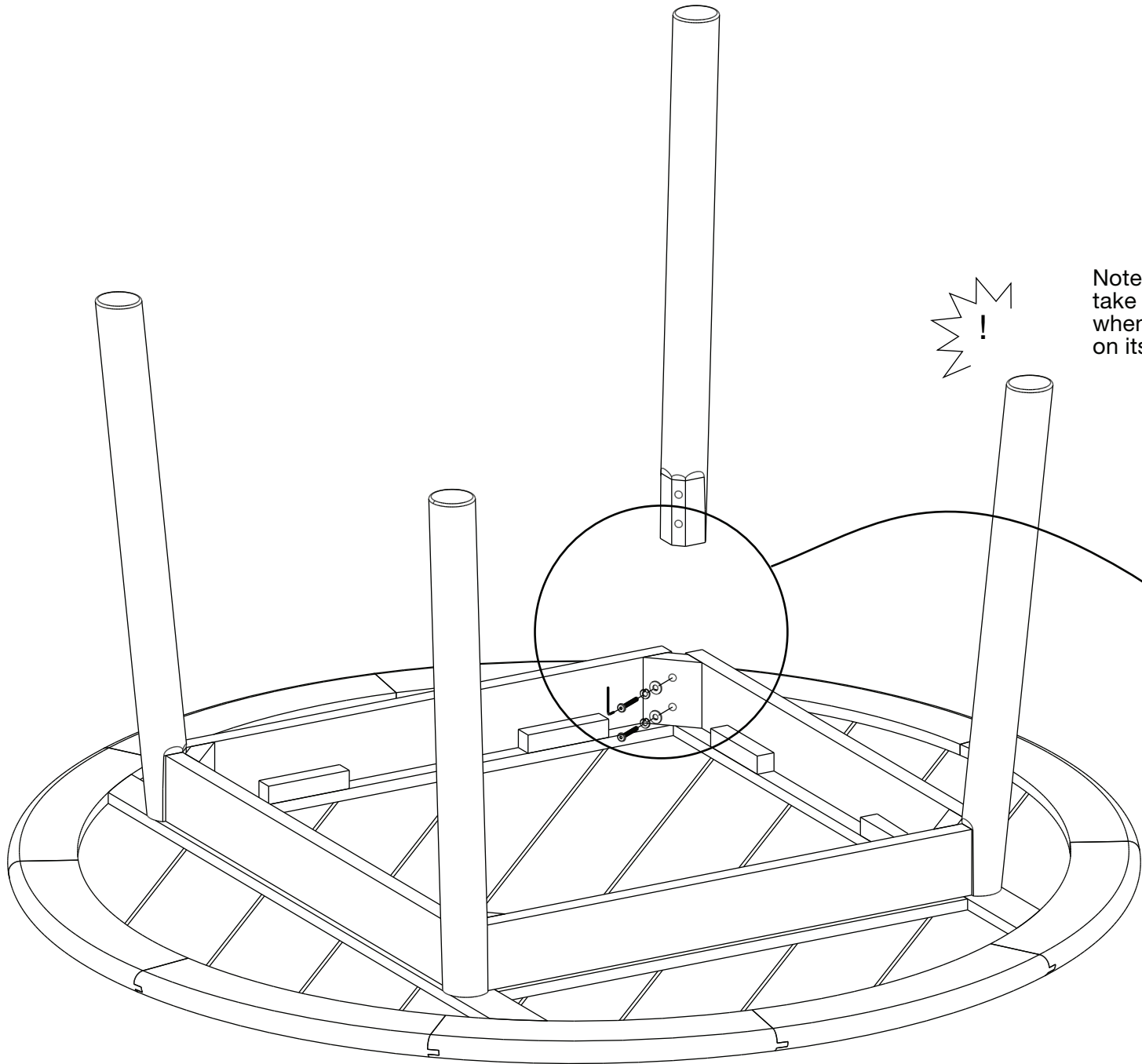


case

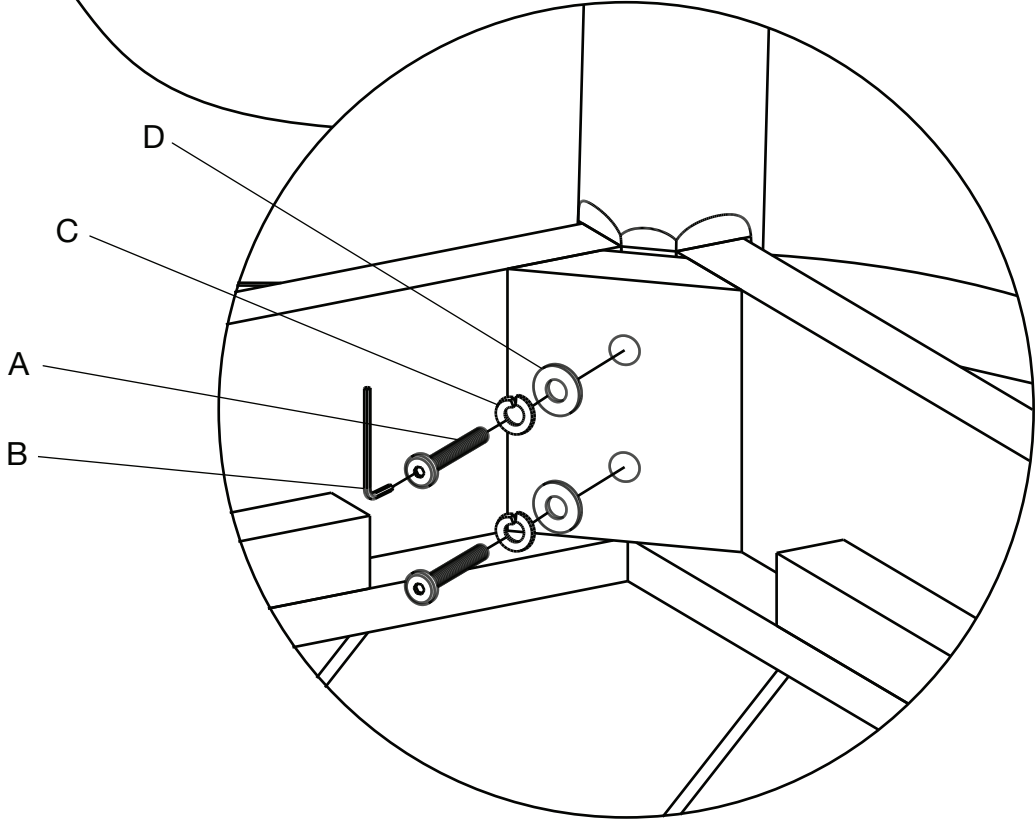
Case Furniture Ltd
London, SW18 2HZ
United Kingdom
info@casefurniture.com
casefurniture.com

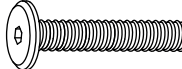





case

Assembly Instructions



Note: the table is extremely heavy. take extra care and use two people when turning. Do not pivot the table on its legs.



Provided				Required	
					
A x8	B x1	C x8	D x8		