

Care Instructions

Pala Dressing Table – designed by Sarah + Henrik Böttger.

To prolong the life of the product and retain its appearance and functionality, we would like to give you some relevant information and care advice:

This product is manufactured using solid and veneered European oak.

European craftsmen manufacture this product and there is variety between each unit. Wood is a natural product so colour and grain variations are inevitable.

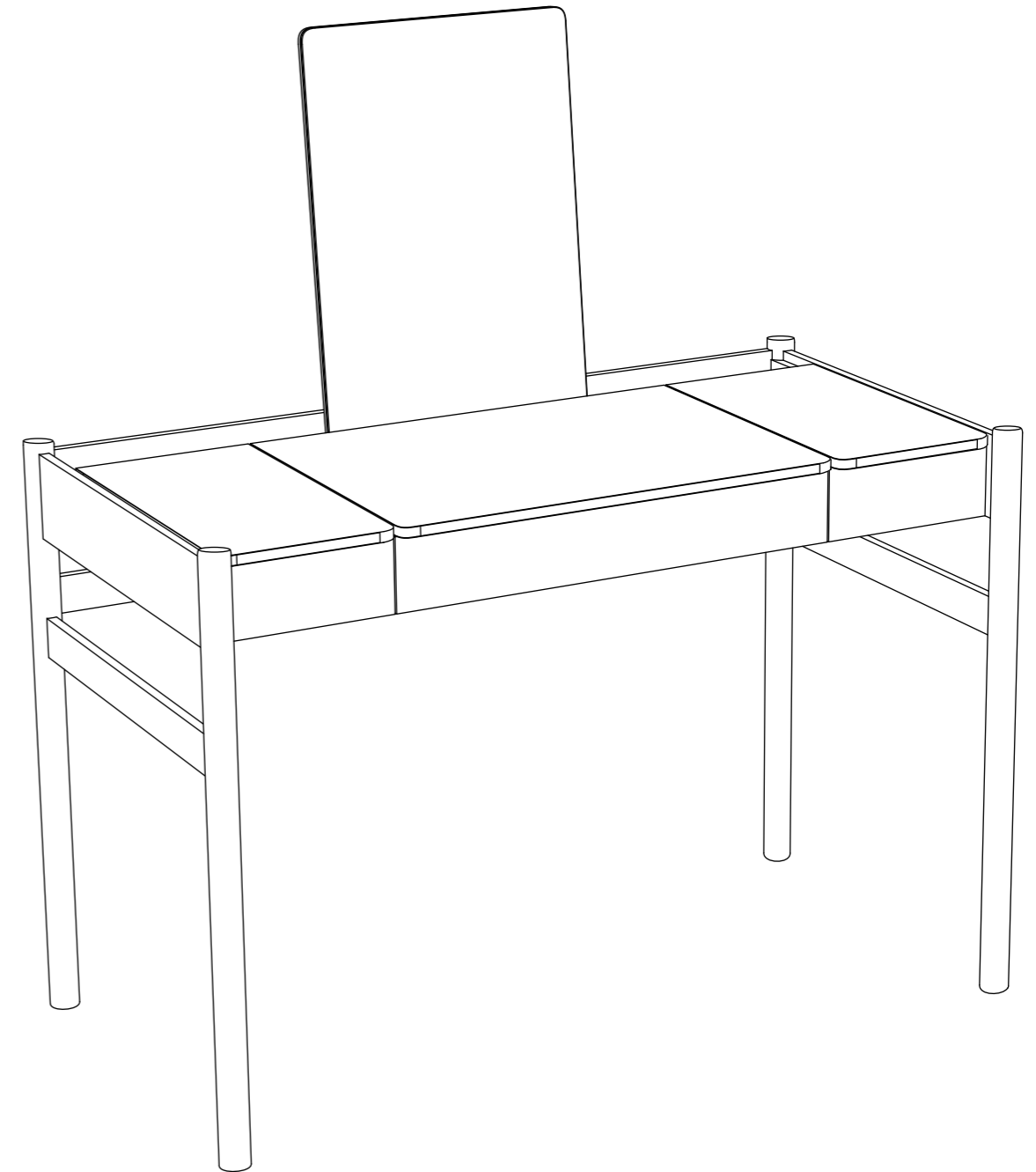
Natural Timber is affected by sunlight; this can cause the wood colour to darken. For this reason (especially if placed in direct sunlight) it is recommended that placing objects for long periods in the same position is avoided. This colour adjustment becomes less relevant as the product ages.

It is recommended that no abrasive cleaners or solvents are used to clean the unit, please only use proprietary furniture polishes or warm water with diluted detergent.

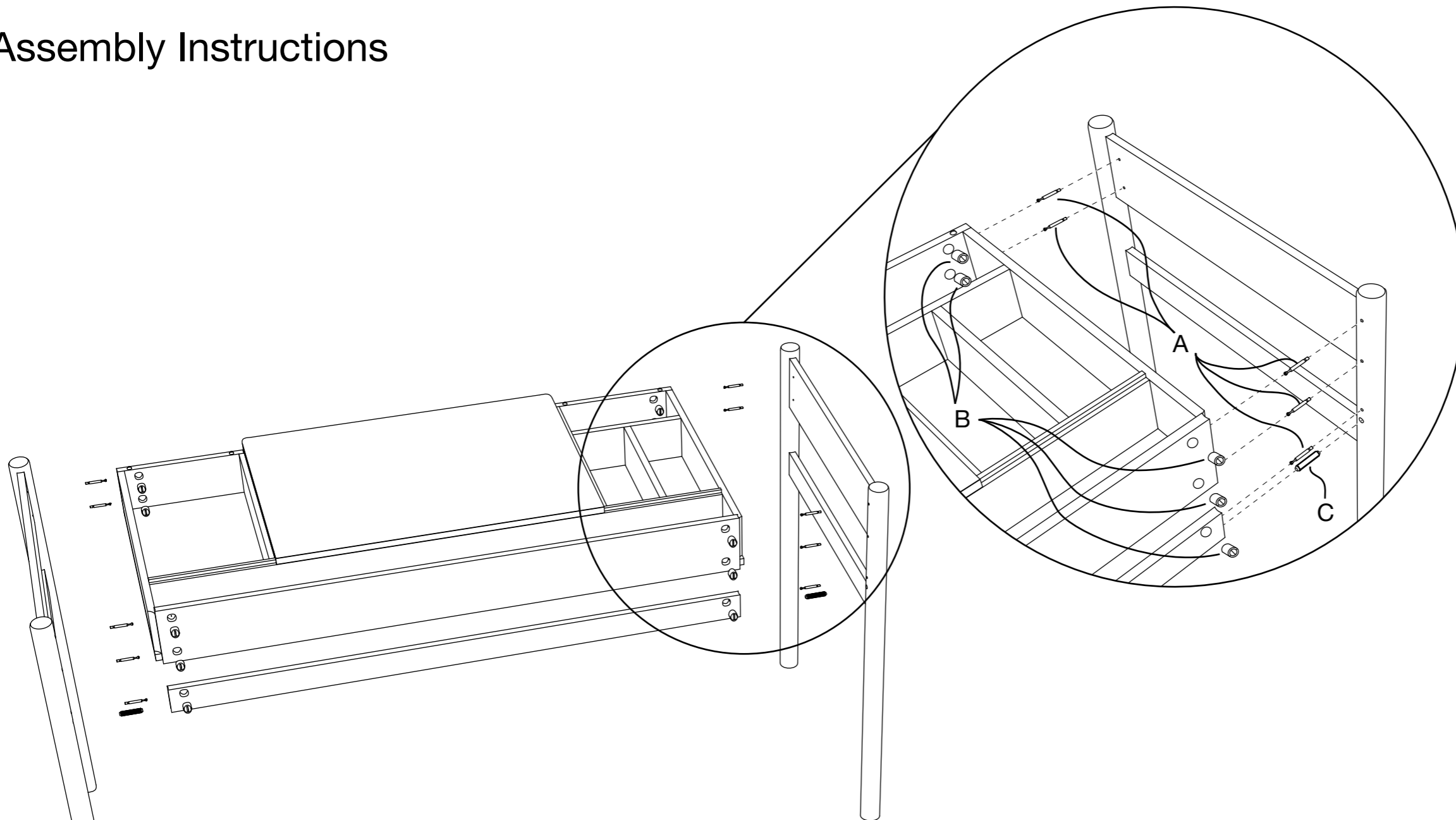
We thank you for purchasing this product and wish you many years of enjoyable and functional use.

For more related products please visit: casefurniture.com

Pala Dressing Table



Assembly Instructions



1. Unpack all components and allow ample room for assembly and turning.

Please remove the two top covers from the dressing table before proceeding.

2. Insert pins (A) into the 5 holes as shown on the leg frame and secure with a screwdriver. Repeat for both leg frames.

3. Insert the dowel into the bottom hole of the leg frame - repeat on the other leg frame.

4. With one leg frame on its side with all the fittings securely tightened - place facing up on the floor.

5. Place the 4 x cam fittings (C) into the holes on the back of the rear of the carcass and also inside the front of the carcass. align these so that the outer line on the cam is facing towards the edge of the carcass.

6. With assistance lift the carcass onto the leg frame and secure the cams by turning the centre with a flat head screwdriver. Whilst one person is holding the leg frame + carcass place the cam (C) into rear crossbar and secure in place.

7. Place the remaining 5 cams into the holes in the carcass and align like before. Lower the second leg frame into place and secure all cam fittings until tight.

8. Making sure not to rest on the legs - turn the dressing table fully over onto its feet.

Please take care that the drawer doesn't open whilst turning the dressing table onto its feet.

9. Insert the two top covers and gently place the mirror into the desired position along the rear channel in the dressing table.

