

Care Instructions

Kigumi Table

Kigumi Table – designed by Nazanin Kamali

To prolong the life of the product and retain its appearance and functionality, we would like to give you some relevant information and care advice:

This unit is manufactured with either oak, black stained oak, or walnut.

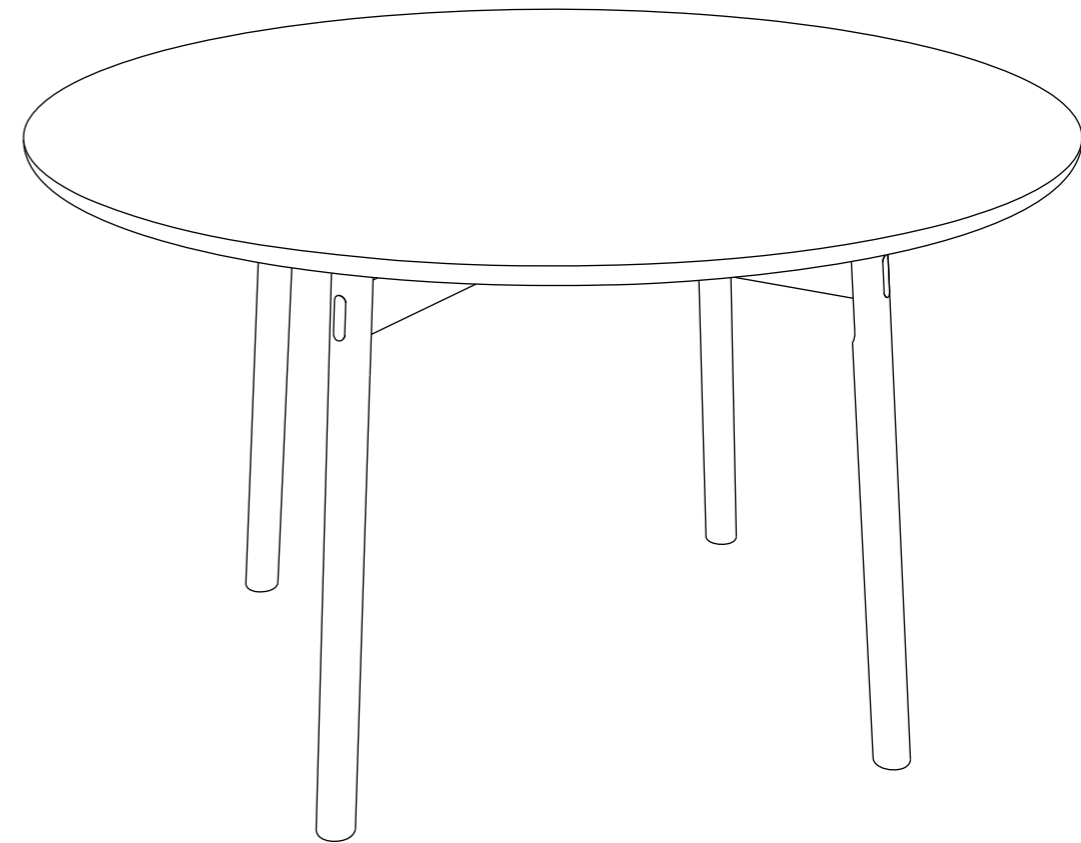
Craftsmen manufacture this product and there is variety between each unit. This is because wood is a natural product, with natural colour and grain variations.

Natural timber is affected by sunlight; this can cause the wood colour to darken. For this reason (especially if placed in direct sunlight) it is recommended that placing objects in the same position for long periods of time is avoided. This potential colour adjustment becomes less relevant as the product ages.

It is recommended that no abrasive cleaners or solvents are used to clean the unit. Please only use proprietary furniture polishes or alternatively, warm water with a diluted mild detergent.

We thank you for purchasing this product and wish you many years of enjoyable and functional use.

For more related products please visit: casefurniture.com

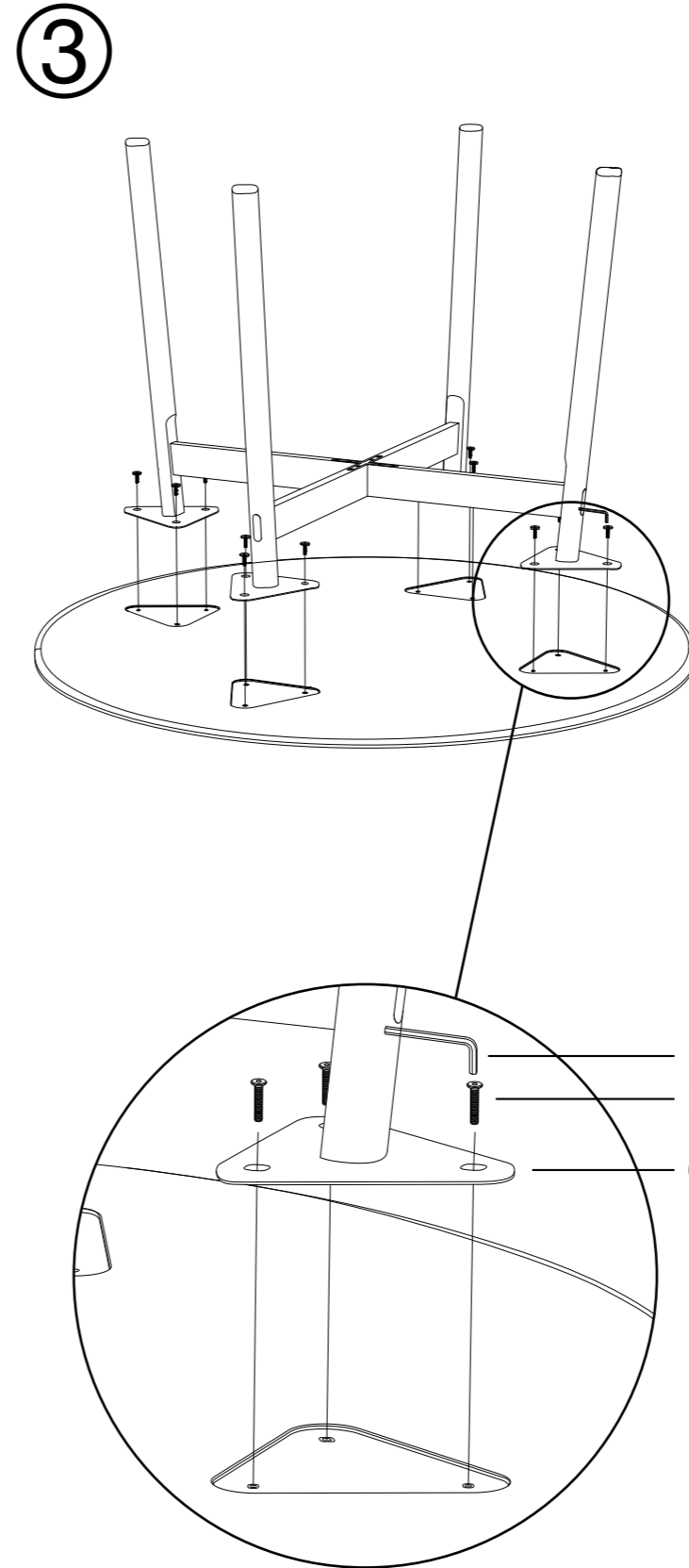
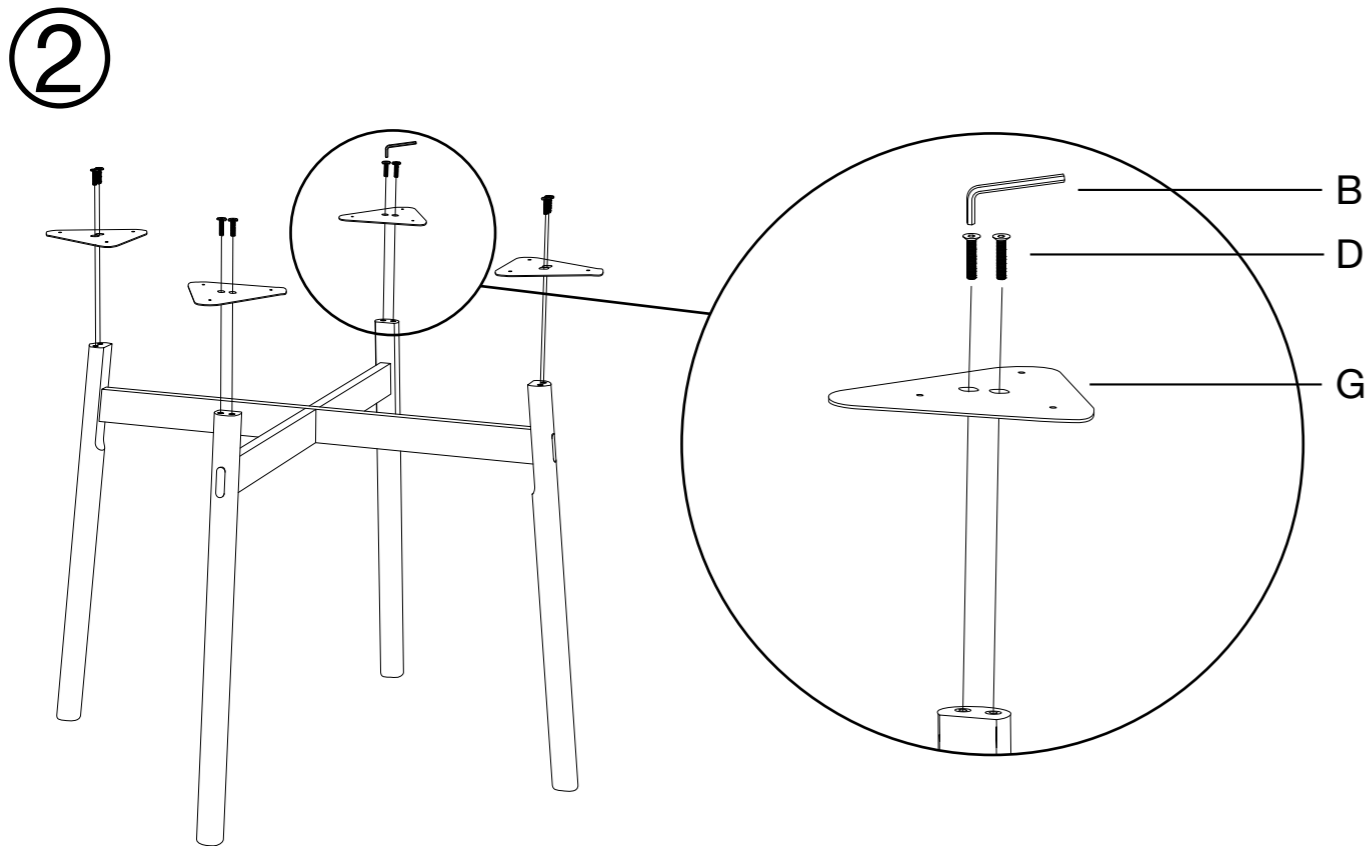
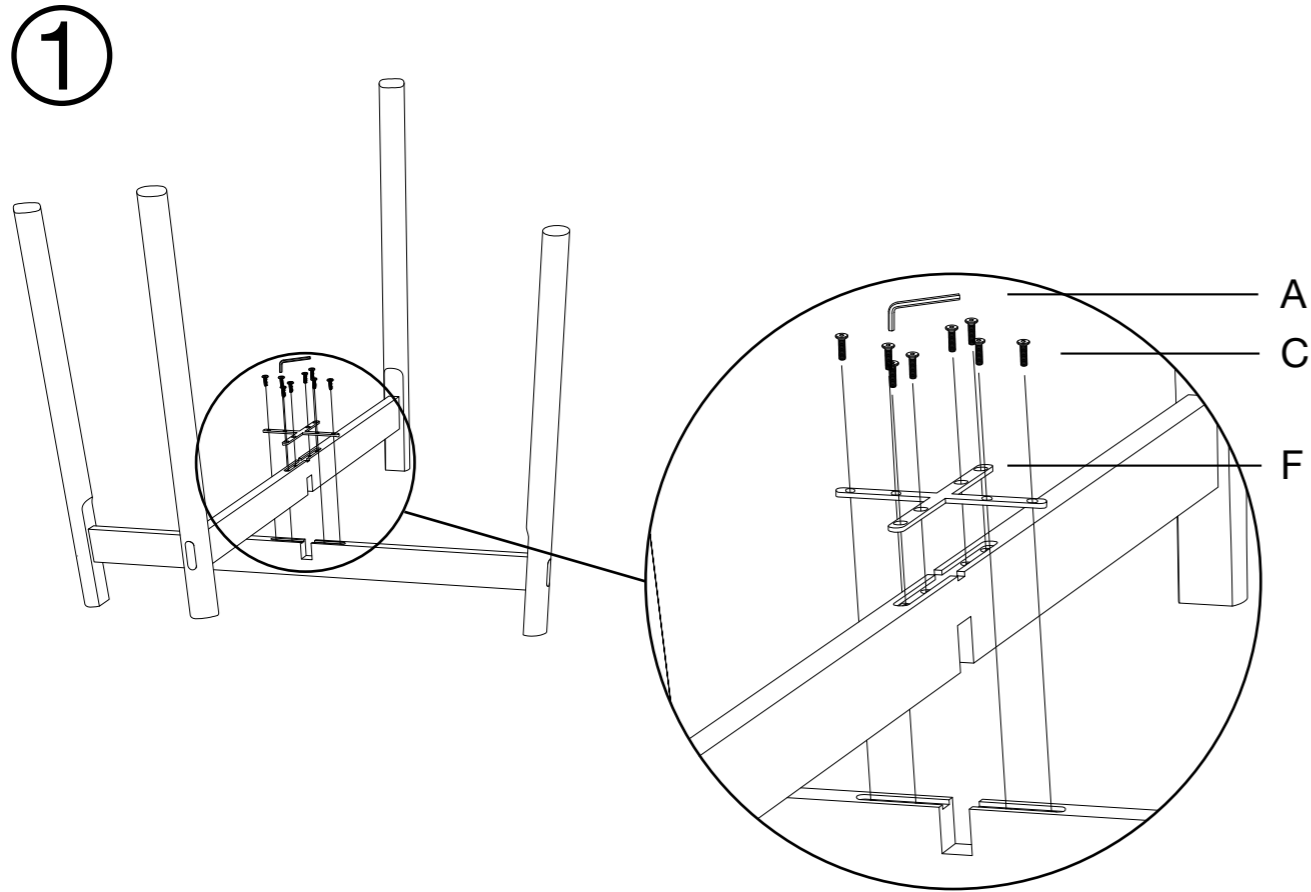


case

Case Furniture Ltd
London, SW18 2HZ
United Kingdom
info@casefurniture.com
casefurniture.com

case

Assembly Instructions



Unpack all components and allow ample room for assembly and turning.

Step 1: Slot the two leg sections together and secure the metal cross plate (F) using bolts (C). Fully tighten using the hex key (A).

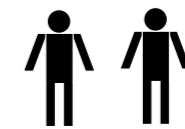
Step 2: Turn the legs upright and attach one triangular metal plate (G) to the top of each leg using bolts (D), ensuring the point is facing outwards. Fully tighten using the hex key (B).

Step 3: With the top upside down and protected from the floor, take the leg assembly and locate all metal plates (G) into the recesses in the top. Secure using bolts (E).

Once all bolts are in place, fully tighten using hex key (A + B). With assistance, turn the table carefully into position ensuring all feet connect with the floor simultaneously. Do not tilt on the legs.

NOTE: THE TABLE IS EXTREMELY HEAVY.

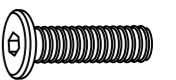
TAKE EXTRA CARE WHEN TURNING.



A x 1



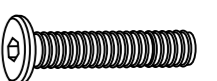
B x 1



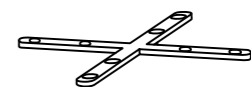
C x 8



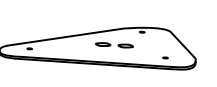
D x 8



E x 12



F x 1



G x 4