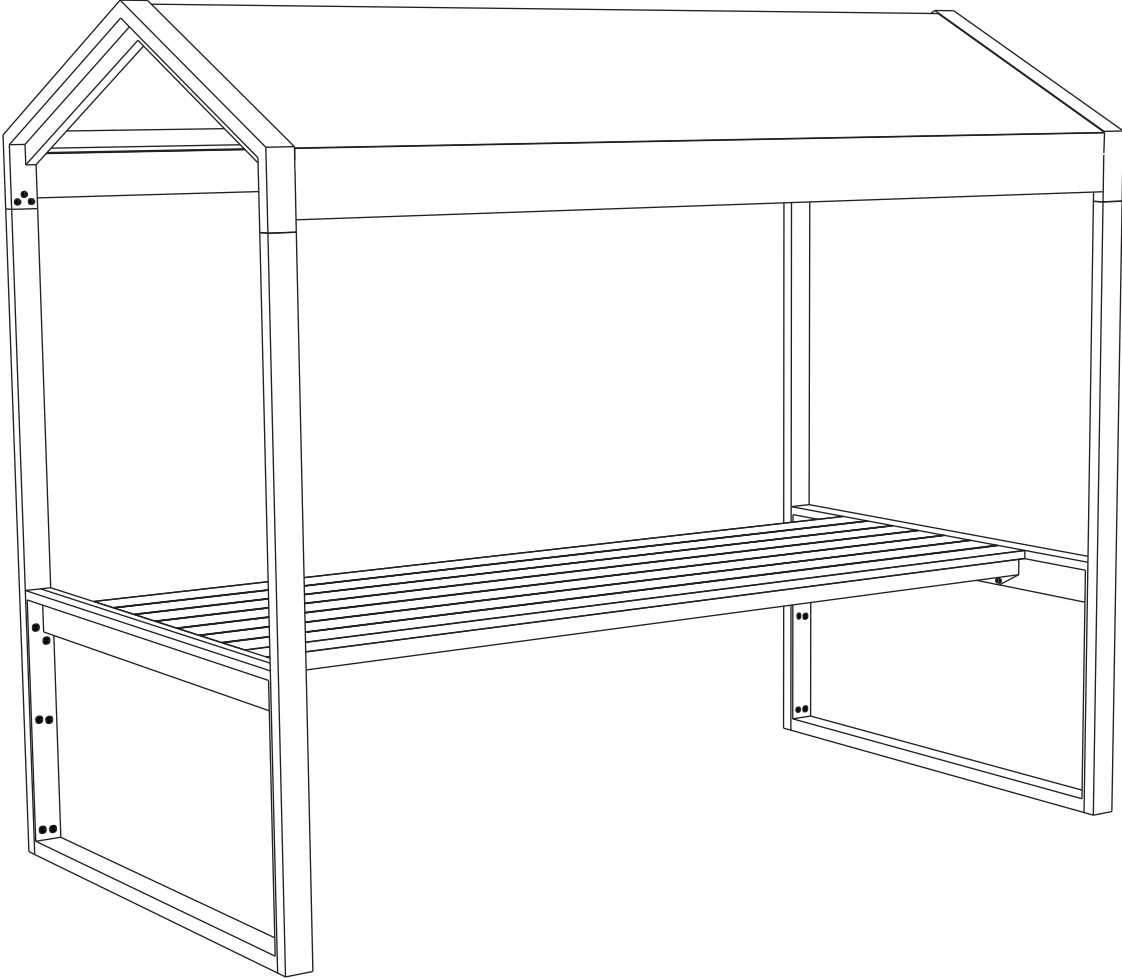


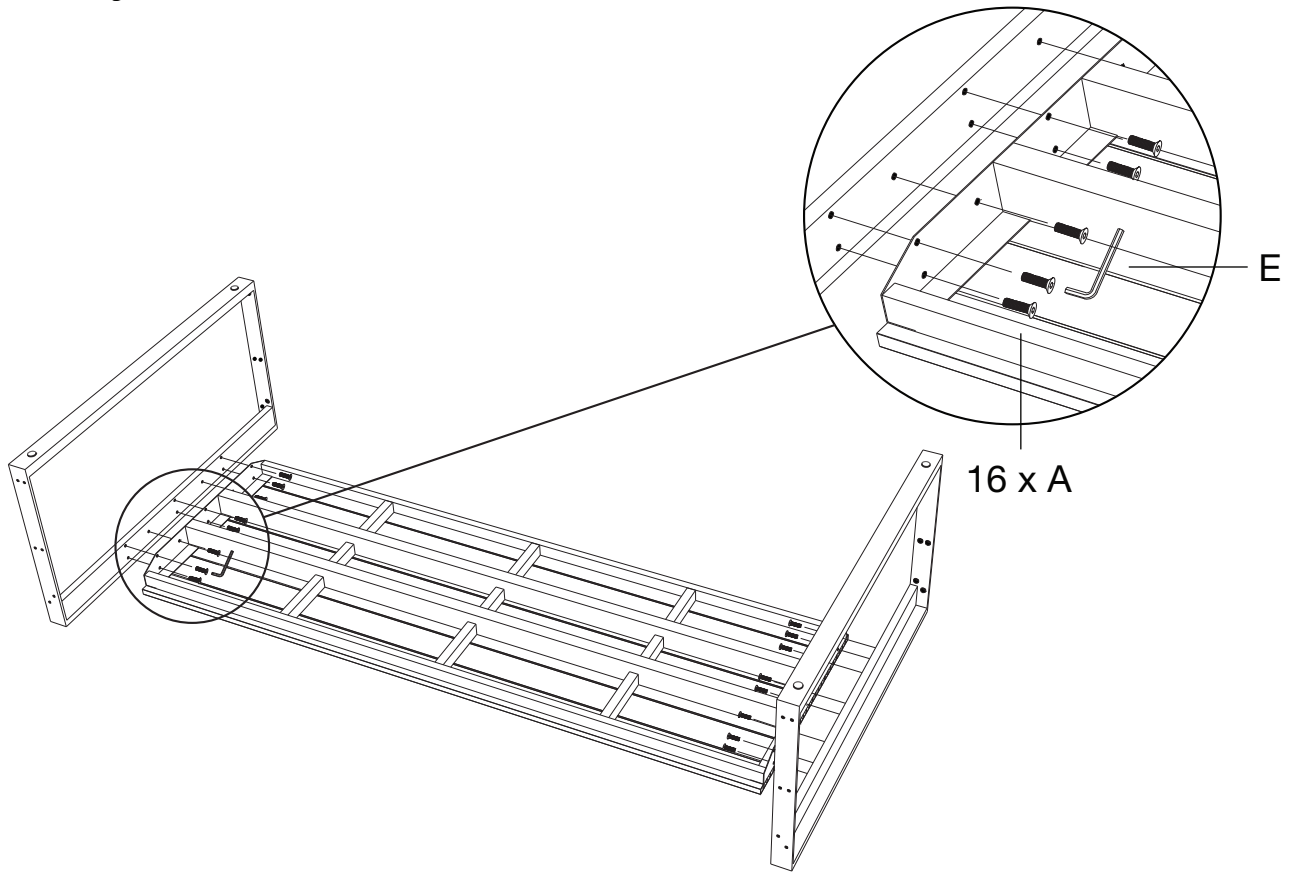
Eos

Picnic House

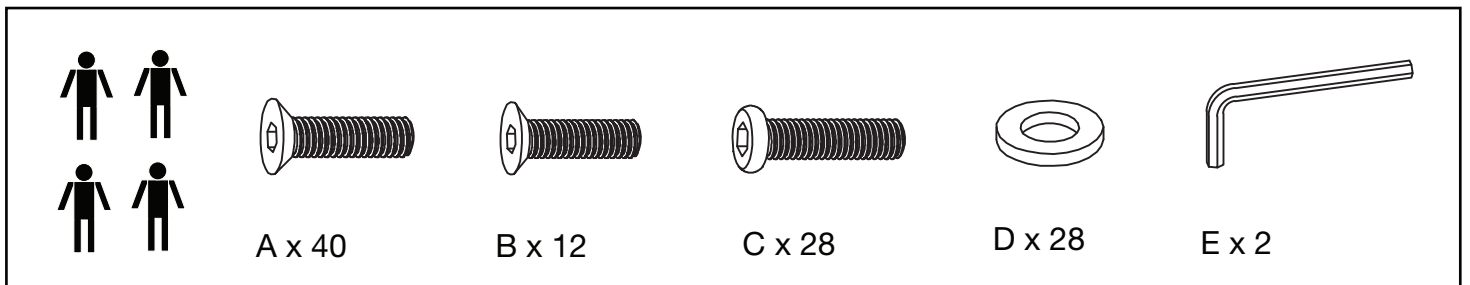
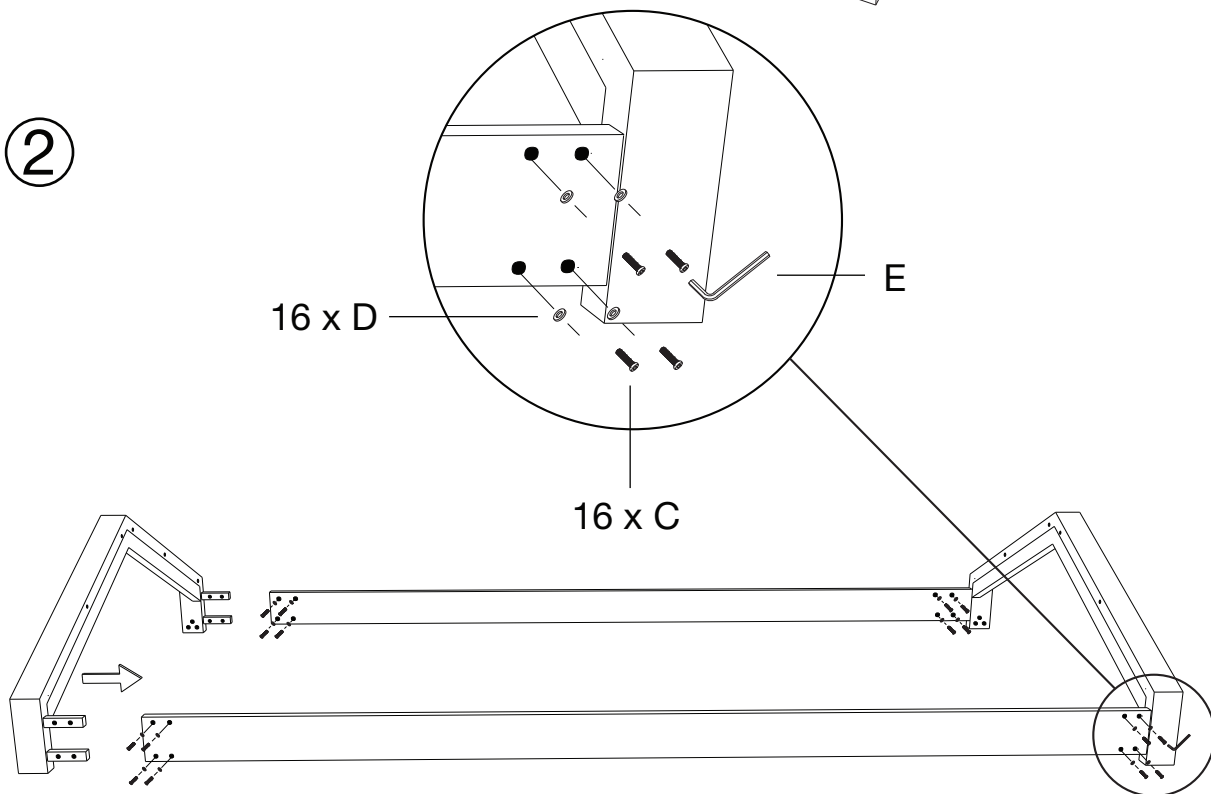


Assembly Instructions

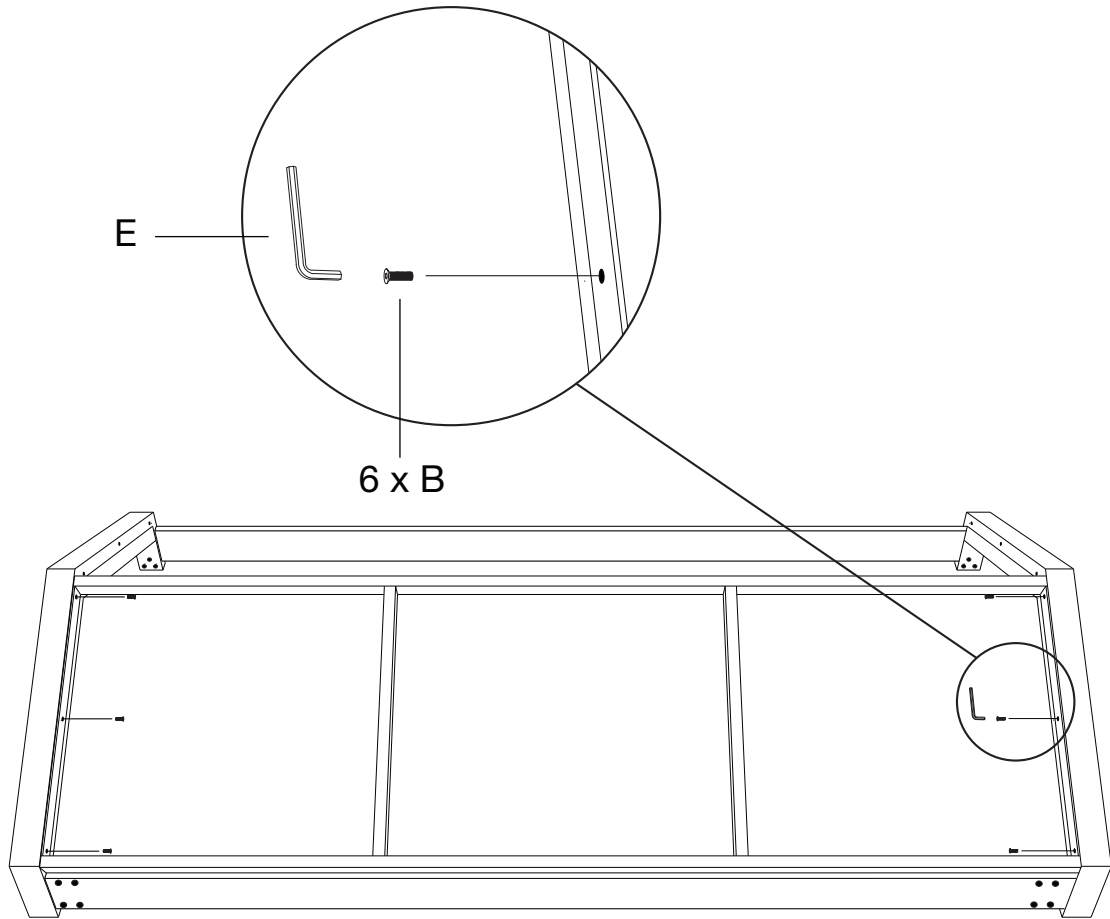
1



2

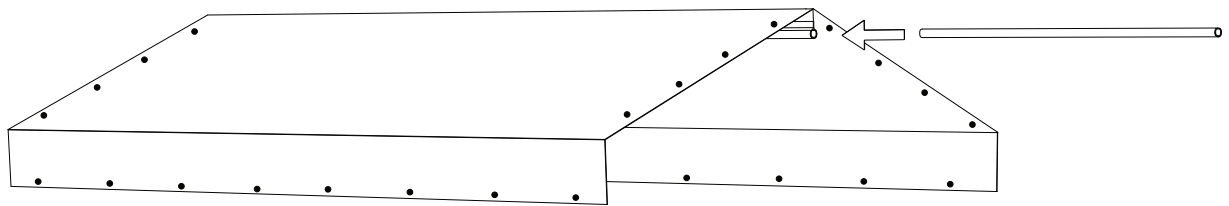


3

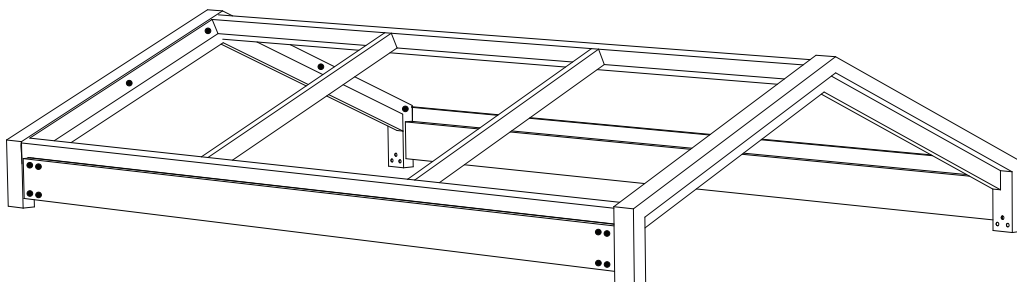


4

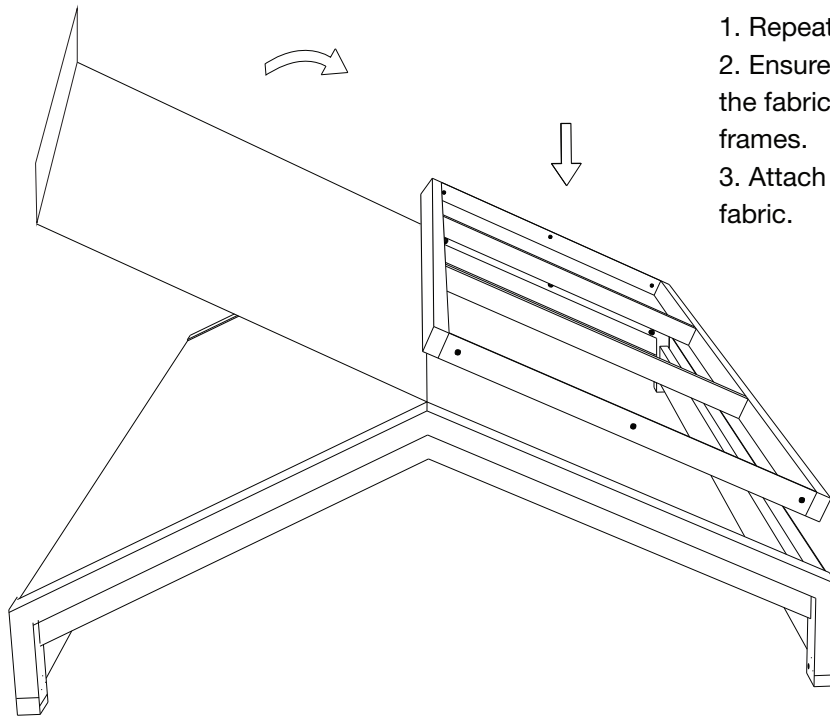
1. Insert the pole through the loop in the fabric.



2. Attach the fabric starting from the bottom rail.
Secure the poppers as you go, working up to the centre.

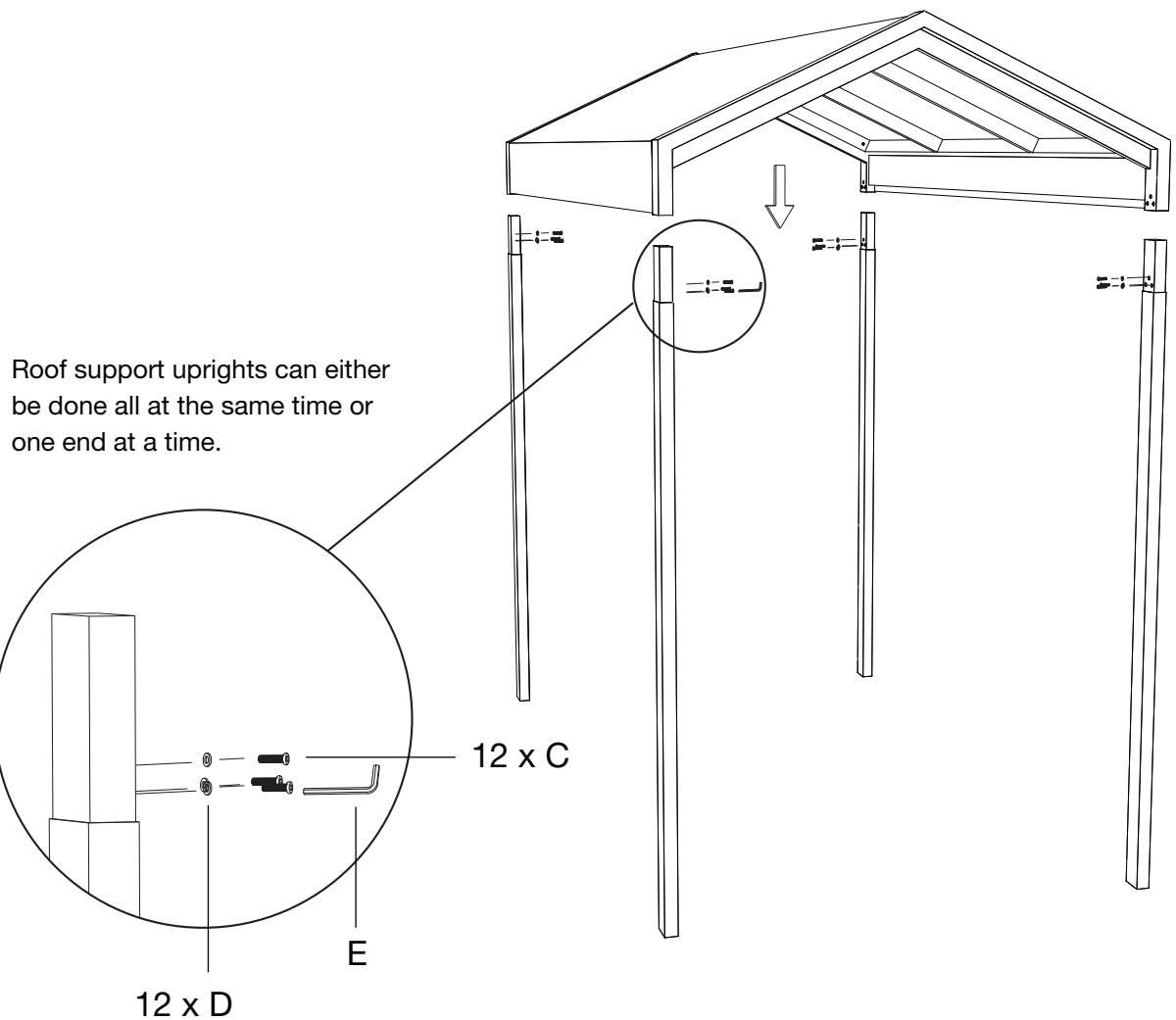


5



1. Repeat step 3.
2. Ensure that the pole through the fabric roof is beneath the two frames.
3. Attach the other half of the fabric.

6



Roof support uprights can either be done all at the same time or one end at a time.

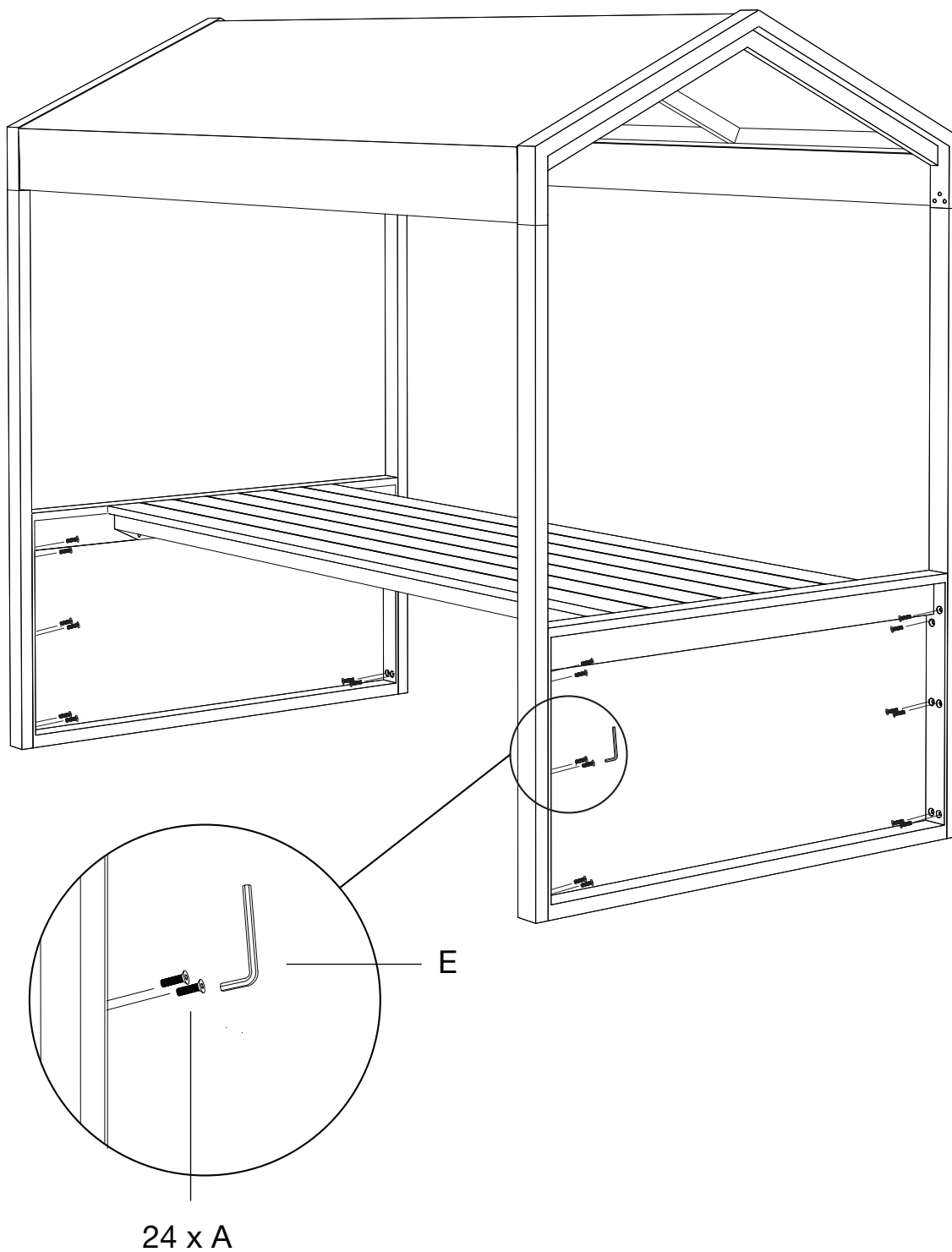
12 x C

E

12 x D

7

Move the assembled table into position, between the frame.



Care Instructions

Eos Outdoor Picnic House – designed by Matthew Hilton

To prolong the life of the product and retain its appearance and functionality, we would like to give you some relevant information and care advice:

Made from extruded aluminium, the Eos range is durable, lightweight, rustproof and low maintenance. Regular periodic care and cleaning is recommended over occasional heavy-duty maintenance.

The table frame and slats are finished in a hardwearing powder coat which can be cleaned using a sponge / soft bristle brush with a cleaning solution of mild liquid soap and lukewarm water. Use of abrasive cleaners should be avoided.

Rinse and dry thoroughly for best finish.

Caution: In seaside use, salt can accumulate on the finish, leading to finish failure.

In indoor pool areas, chlorides can accumulate on the finish, leading to finish failure.

In both of the above environments, repeated cycles of condensation followed by evaporation cause build-up of these aggressive corrosives. Regular cleaning with mild soap and water will remove the concentrated deposits and protect the furniture finish per the above instructions.

Although the materials and finishes used are selected for their 'all-weather / year-round' characteristics, we recommend that the product is disassembled and stored during cold and wet winter months. The table should not be stored upside down if left assembled.

We thank you for purchasing this product and wish you many years of enjoyable and functional use.

For more related products please visit: casefurniture.com



Case Furniture Ltd
London, SW18 2HZ
United Kingdom

info@casefurniture.com
casefurniture.com