

Care Instructions

Cross Fixed Table – designed by Matthew Hilton

To prolong the life of the product and retain its appearance and functionality, we would like to give you some relevant information and care advice:-

This unit is manufactured oak or walnut depending on the finish. The legs and underframe are solid - the top and extension leaves are veneered for greater stability.

Skilled craftsmen manufacture this product and there is variety between each unit. This is because wood is a natural product, with natural colour and grain variations.

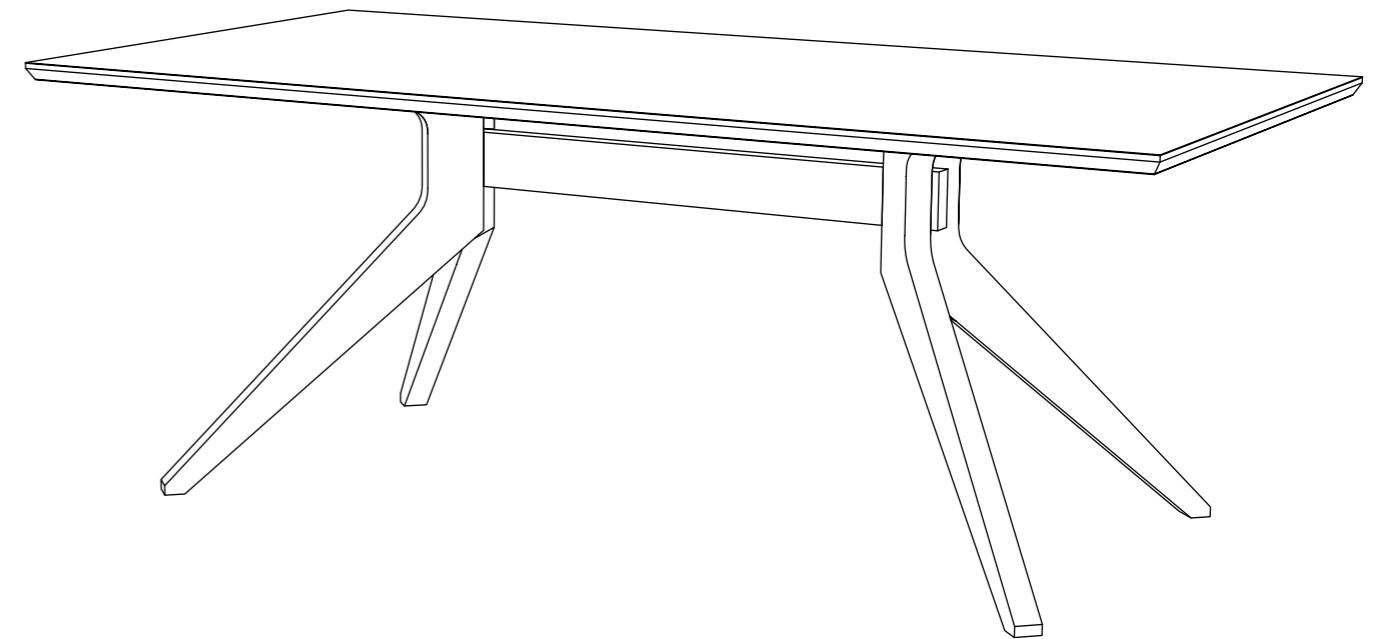
Natural timber is affected by sunlight; this can cause the wood colour to darken. For this reason (especially if placed in direct sunlight) it is recommended that placing objects in the same position for long periods of time is avoided. This potential colour adjustment becomes less relevant as the product ages.

It is recommended that no abrasive cleaners or solvents are used to clean the unit. Please only use proprietary furniture polishes or alternatively, warm water with a diluted mild detergent.

We thank you for purchasing this product and wish you many years of enjoyable and functional use.

For more related products please visit: casefurniture.com

Cross Fixed Table

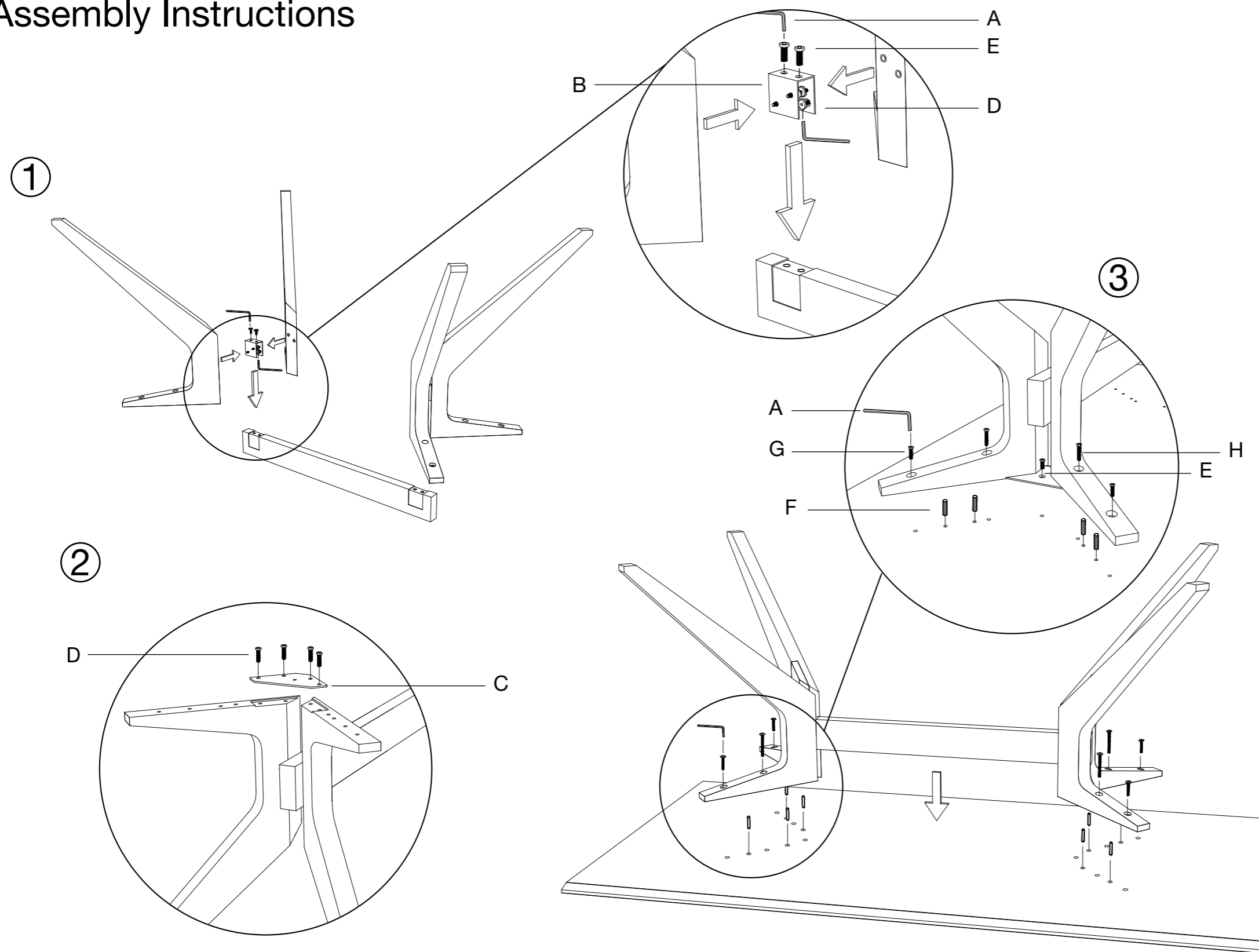


case

Case Furniture Ltd
London, SW18 2HZ
United Kingdom
info@casefurniture.com
casefurniture.com

case

Assembly Instructions



1. Unpack all components and allow ample room for assembly and turning.
 2. Illustration 1. Attach brackets (B) to all legs using allen key (A) and bolt (D).
ENSURE THAT BRACKETS ARE THE CORRECT WAY UP.
 3. With bolts (E) lift the crossbar in between the leg bracket and tighten bolts fully.
 4. Illustration 2. Turn legs and crossbar assembly onto its feet - take bracket (C) with 4x bolts (D) per side and securely fasten into the top of each leg on both sides. Once fully tightened, turn assembly upside down.
 5. Illustration 3. Turn upside down and Insert dowels (F) into the relevant holes on the underframe.
 6. Fasten all legs to the underframe using long bolts (H) and medium bolts (G) and allen key (A) into relevant holes in the leg. Using small bolt (E) secure plate (C) to table top.
- WARNING: ONLY SMALL BOLT (E) CAN BE USED TO SECURE PLATE (C) TO TABLE TOP.**
7. Once the legs and crossbar are tightly fastened, the table can be turned onto its feet.

NOTE: THE TABLE IS EXTREMELY HEAVY. TAKE EXTRA CARE WHEN TURNING.

