

Care Instructions

Brockwell Desk

Brockwell Desk – designed by Matthew Hilton

To prolong the life of the product and retain its appearance and functionality, we would like to give you some relevant information and care advice:

This unit is manufactured from either oak or walnut with a powder coated steel surround.

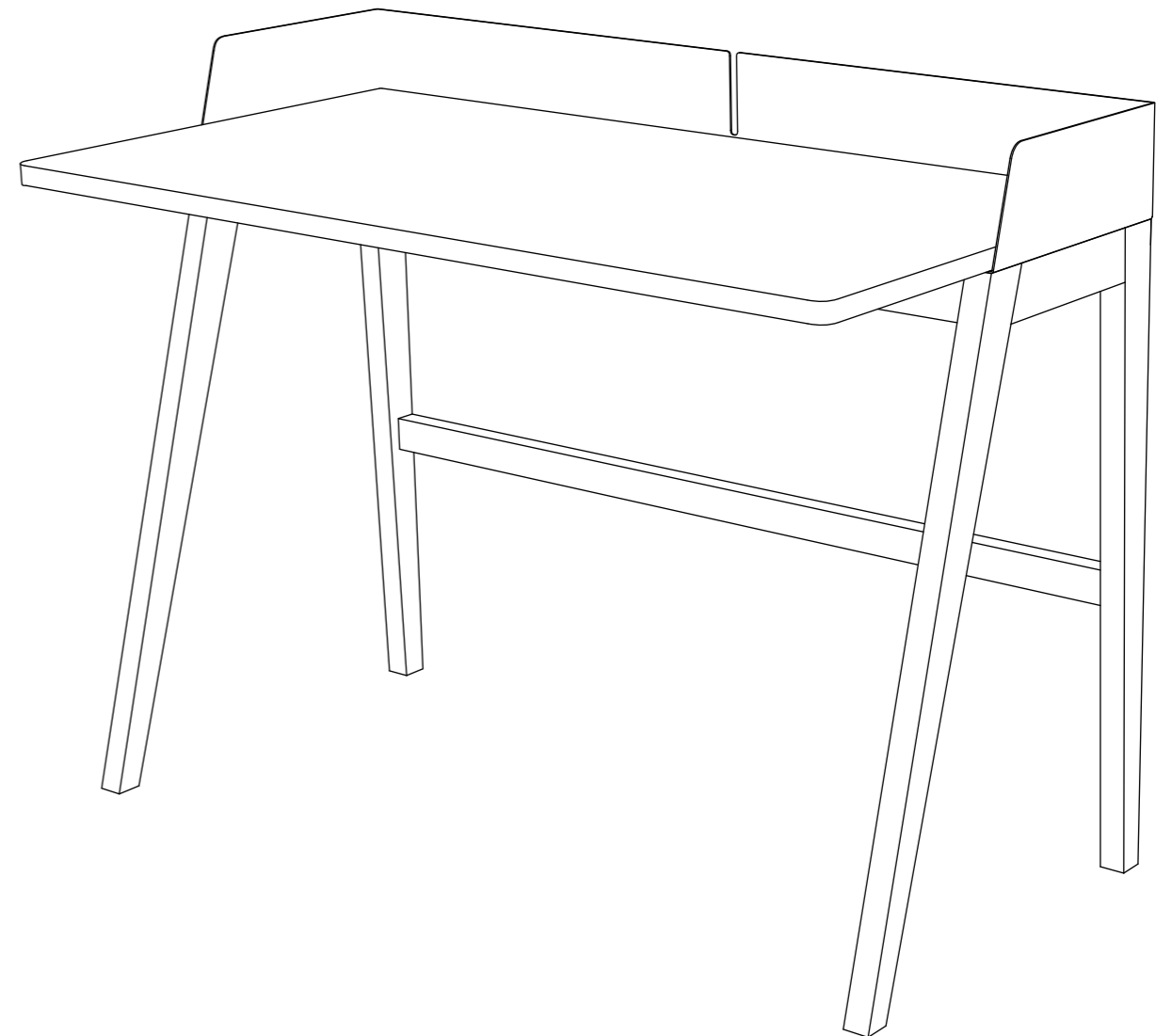
European craftsmen manufacture this product and there is variety between each unit. This is because wood is a natural product, with natural colour and grain variations.

Natural timber is affected by sunlight; this can cause the wood colour to darken. For this reason (especially if placed in direct sunlight) it is recommended that placing objects in the same position for long periods of time is avoided. This potential colour adjustment becomes less relevant as the product ages.

It is recommended that no abrasive cleaners or solvents are used to clean the unit. Please only use proprietary furniture polishes or alternatively, warm water with a diluted mild detergent.

We thank you for purchasing this product and wish you many years of enjoyable and functional use.

For more related products please visit: casefurniture.com

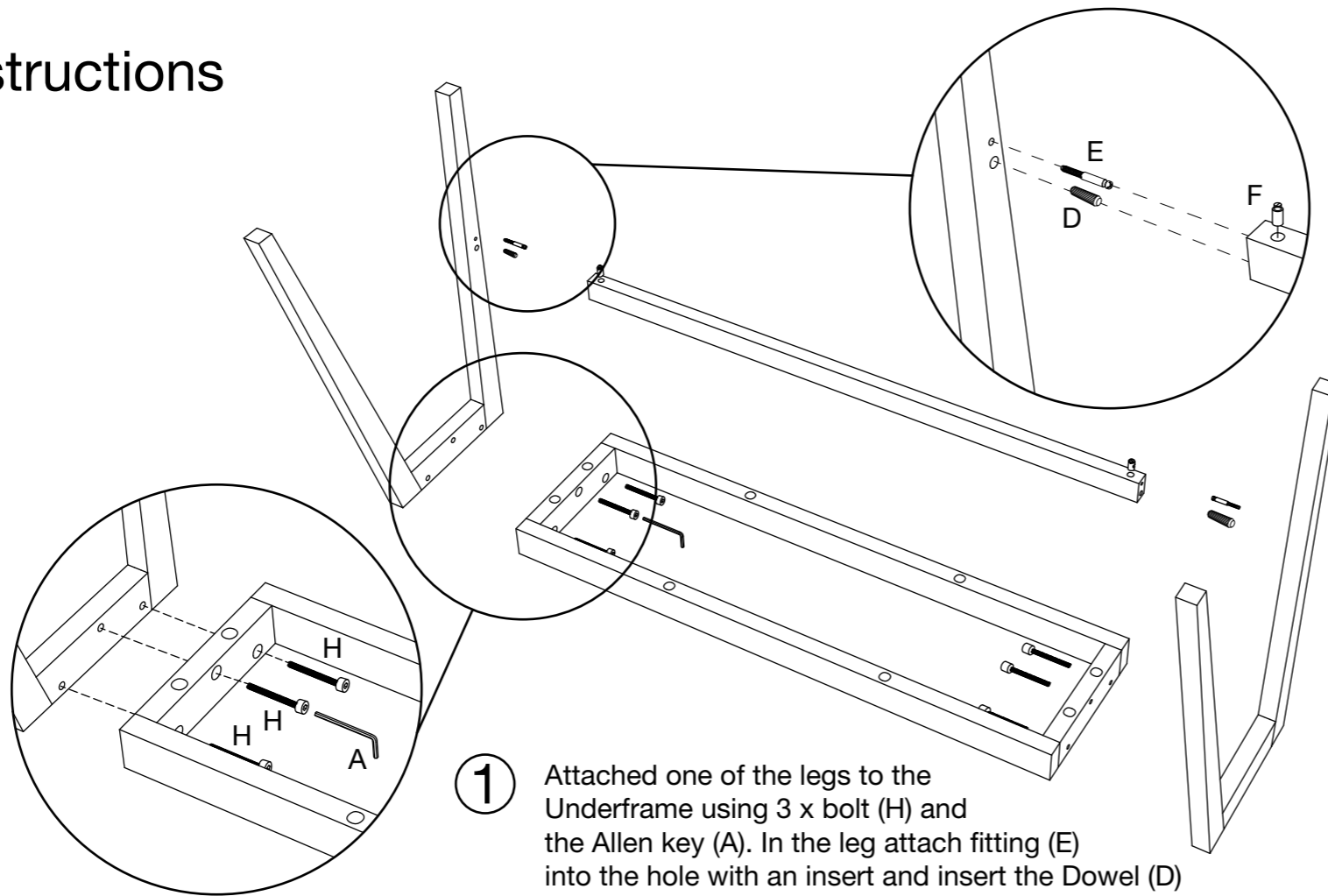
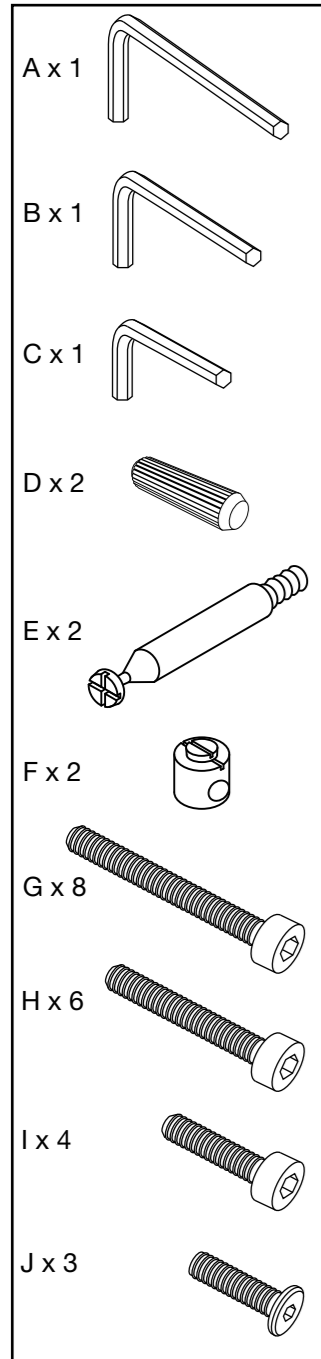
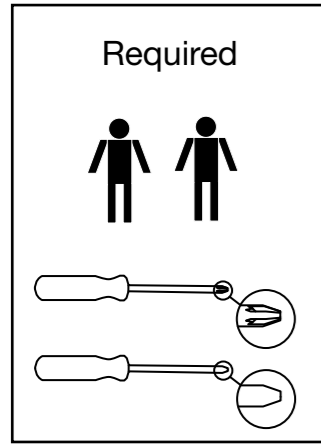


case

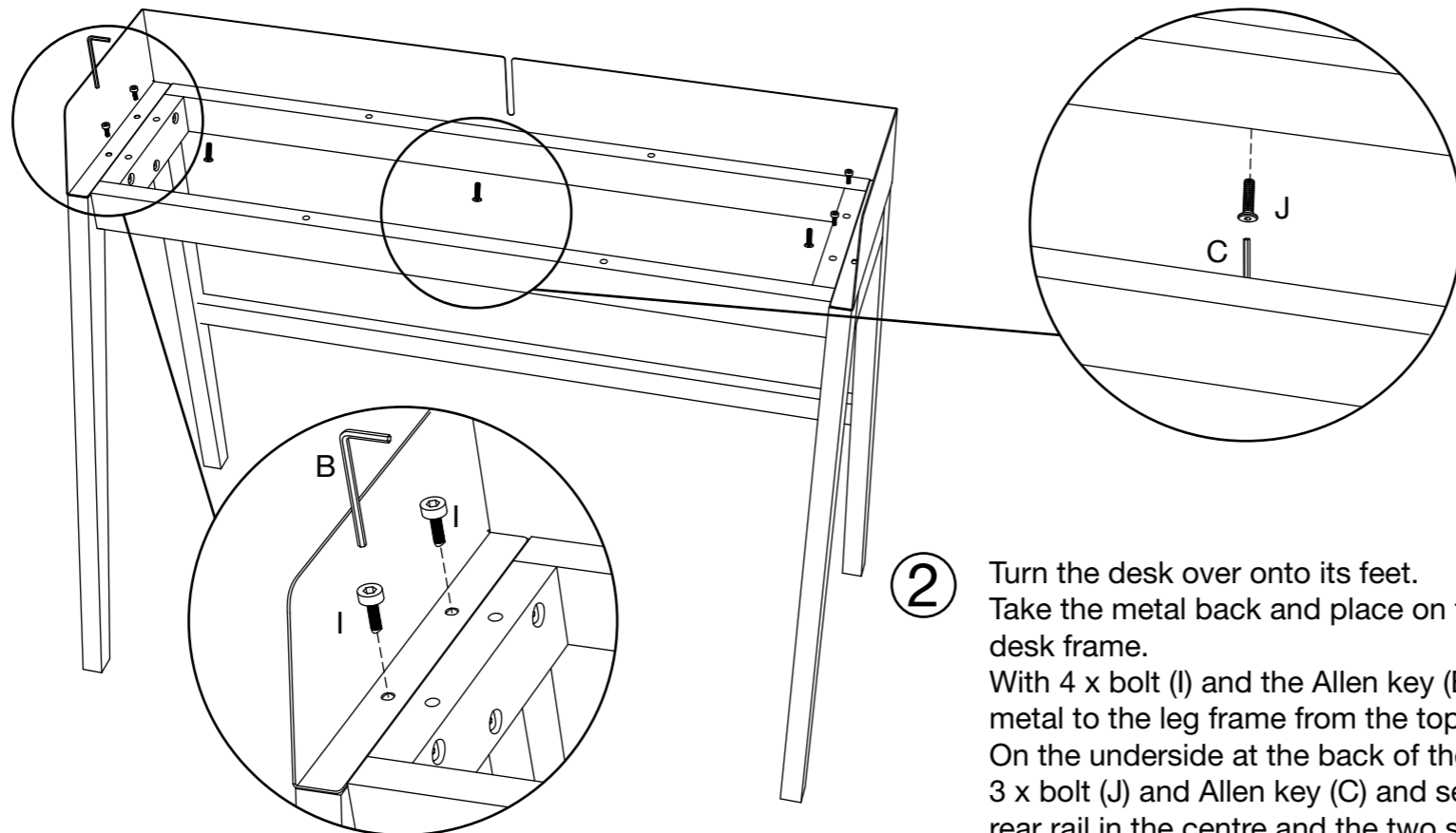
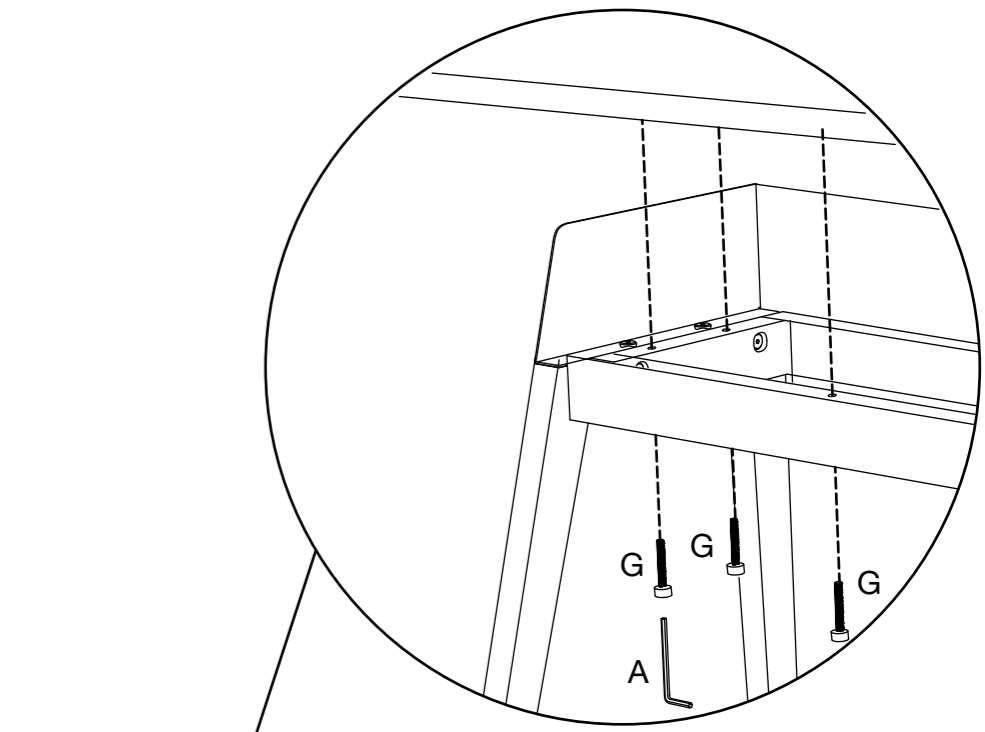
Case Furniture Ltd
London, SW18 2HZ
United Kingdom
info@casefurniture.com
casefurniture.com

case

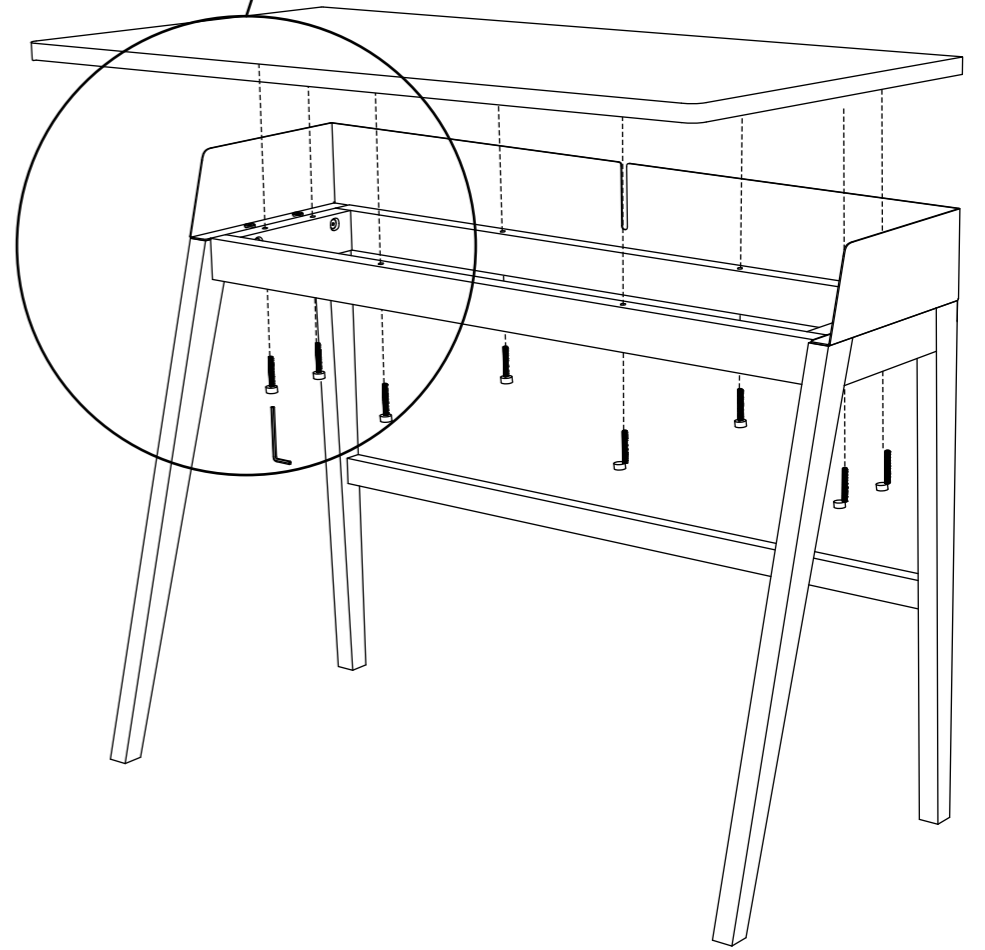
Assembly Instructions



1 Attached one of the legs to the Underframe using 3 x bolt (H) and the Allen key (A). In the leg attach fitting (E) into the hole with an insert and insert the Dowel (D) to the other hole. Repeat for other leg. Take the Cross bar and place the Cams fitting (F) in the holes making sure the hole on the fitting is facing outside. Slide onto one side of the leg and secure fitting (F) - repeat for the other side and the attach the other 3 x bolt (H) to the leg and underframe.



2 Turn the desk over onto its feet. Take the metal back and place on top of the desk frame. With 4 x bolt (I) and the Allen key (B) secure the metal to the leg frame from the top. On the underside at the back of the desk take 3 x bolt (J) and Allen key (C) and secure to the rear rail in the centre and the two side locations.



3 Lower the top onto the desk and align with the holes in the underframe. With someone holding the top attach the 8 x bolts (G) through the underframe into the top using the Allen key (A).