

Care Instructions

Bridge Extending Table

Bridge Extending Table – designed by Matthew Hilton

To prolong the life of the product and retain its appearance and functionality, we would like to give you some relevant information and care advice:-

This unit is manufactured with either oak or walnut.

Craftsmen manufacture this product and there is variety between each unit. This is because wood is a natural product, with natural colour and grain variations.

Natural timber is affected by sunlight; this can cause the wood colour to darken. For this reason (especially if placed in direct sunlight) it is recommended that placing objects in the same position for long periods of time is avoided. This potential colour adjustment becomes less relevant as the product ages.

It is recommended that no abrasive cleaners or solvents are used to clean the unit. Please only use proprietary furniture polishes or alternatively, warm water with a diluted mild detergent.

We thank you for purchasing this product and wish you many years of enjoyable and functional use.

For more related products please visit: casefurniture.com



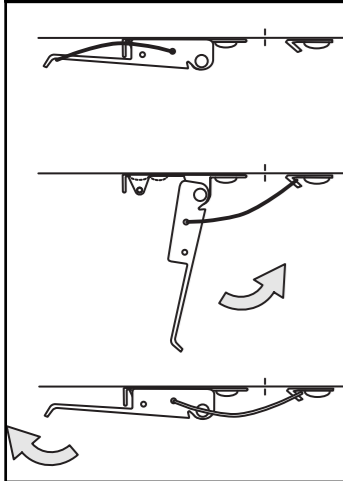
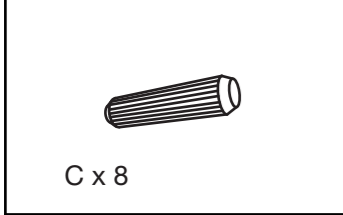
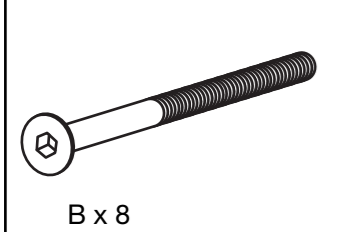
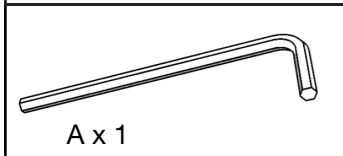
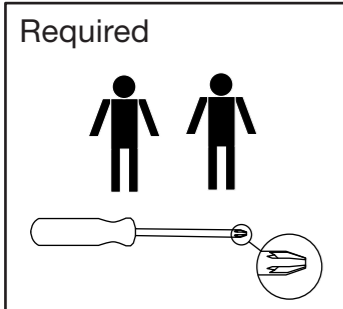
case

Case Furniture Ltd
London, SW18 2HZ
United Kingdom
info@casefurniture.com
casefurniture.com

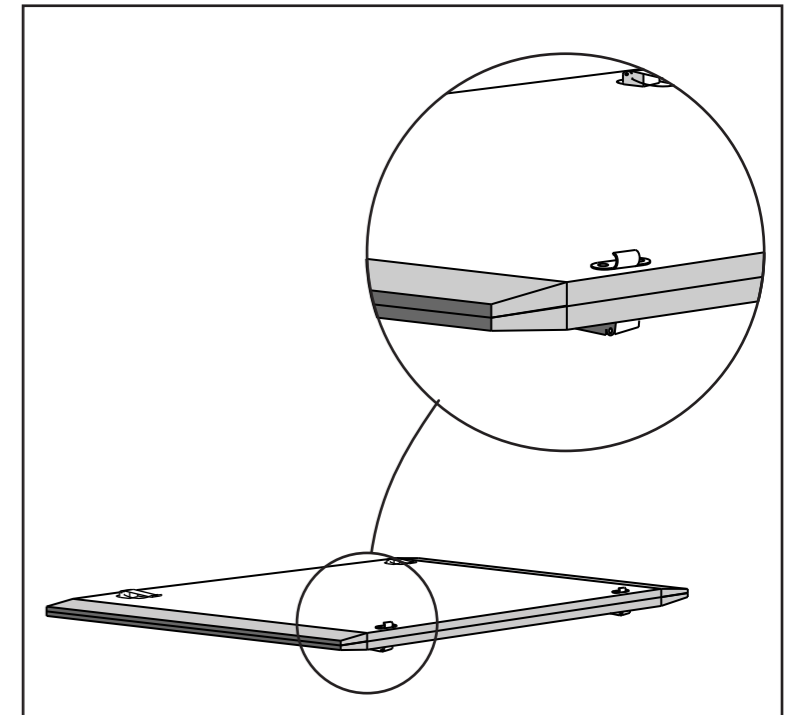
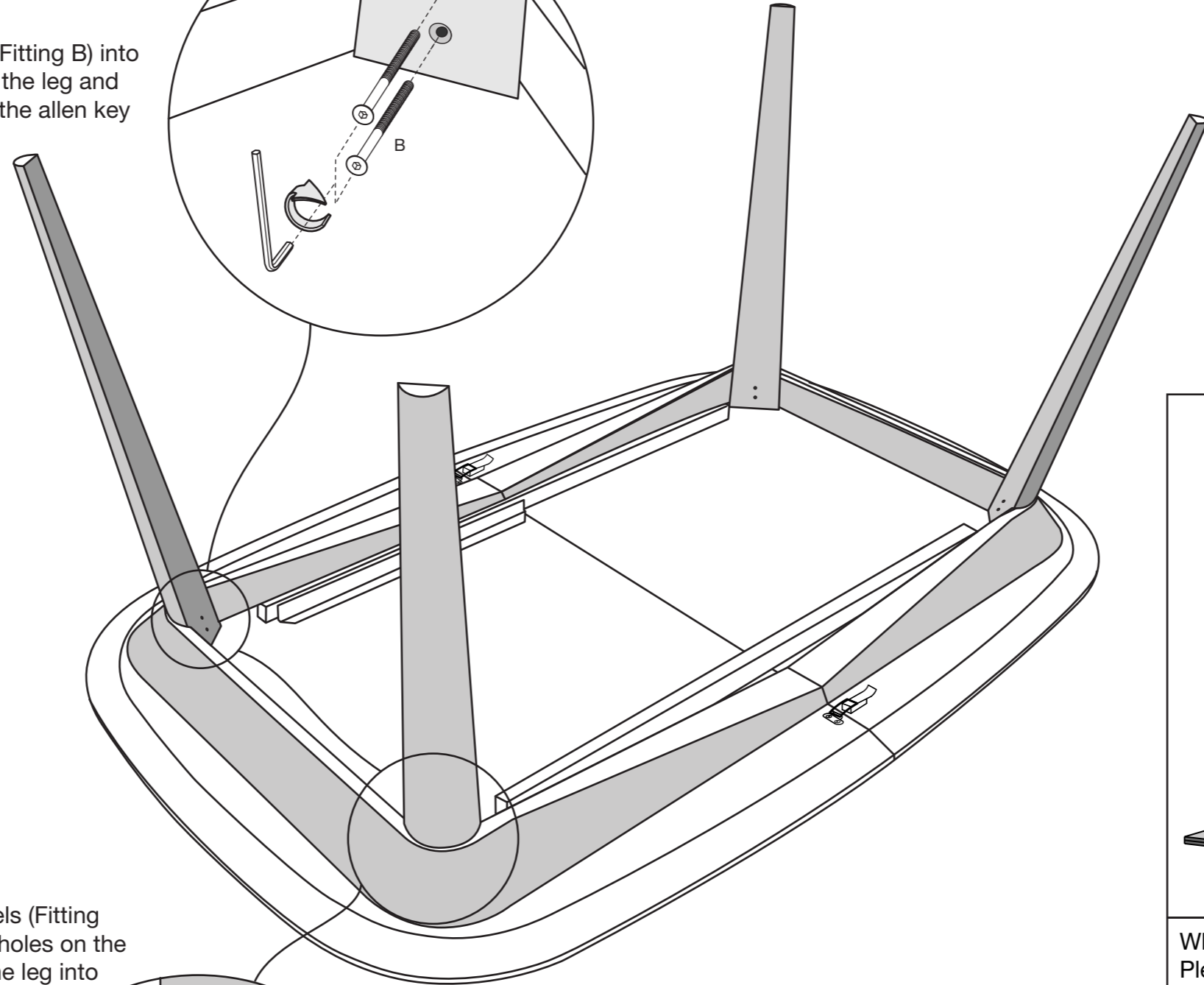
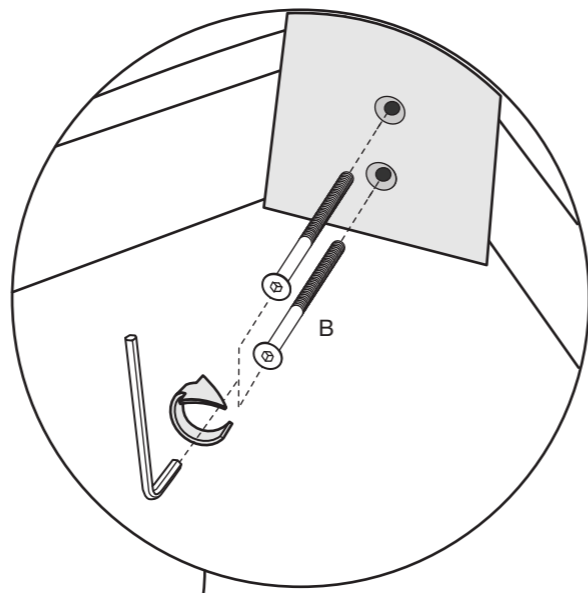
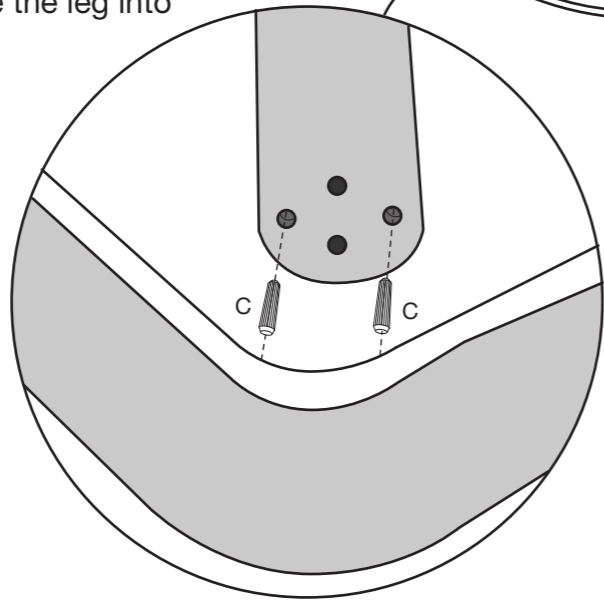
case

Assembly Instructions

Step 2.
locate 2 x bolt's (Fitting B)
into the two holes on the leg
and tighten fully with the allen key
(Fitting A)



Step 1.
place 2 x Dowels (Fitting C)
in the outer holes on the
leg and slide the leg into
place.



When storing the leaves in the leaf bag:
Please ensure when storing the leaves in the leaf
storage bag provided that each leaf is placed in an
individual compartment and that the connecting
clips are facing outwards to avoid damaging the
leaves.