

FEED-O-MATIC

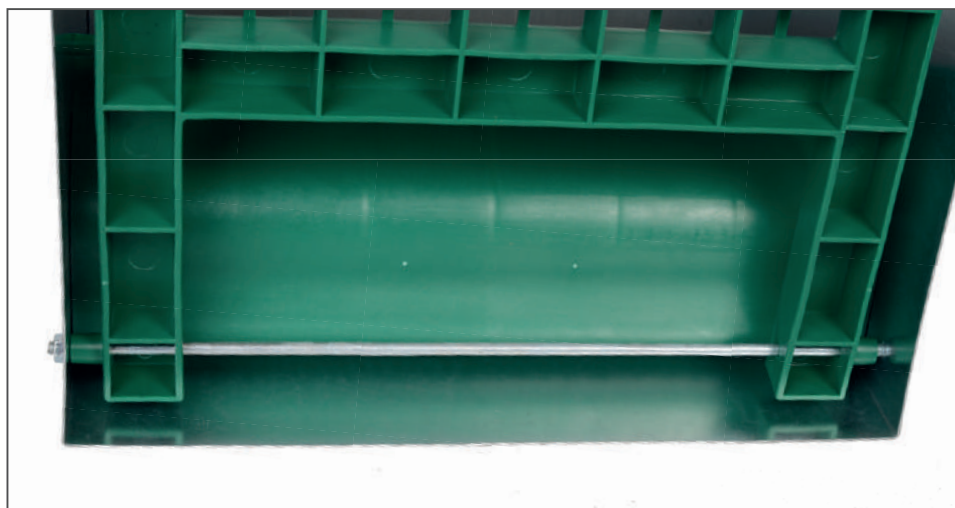
Automatic treadle feeder 5kg, 8kg, 12kg, 20kg.



Made in Holland

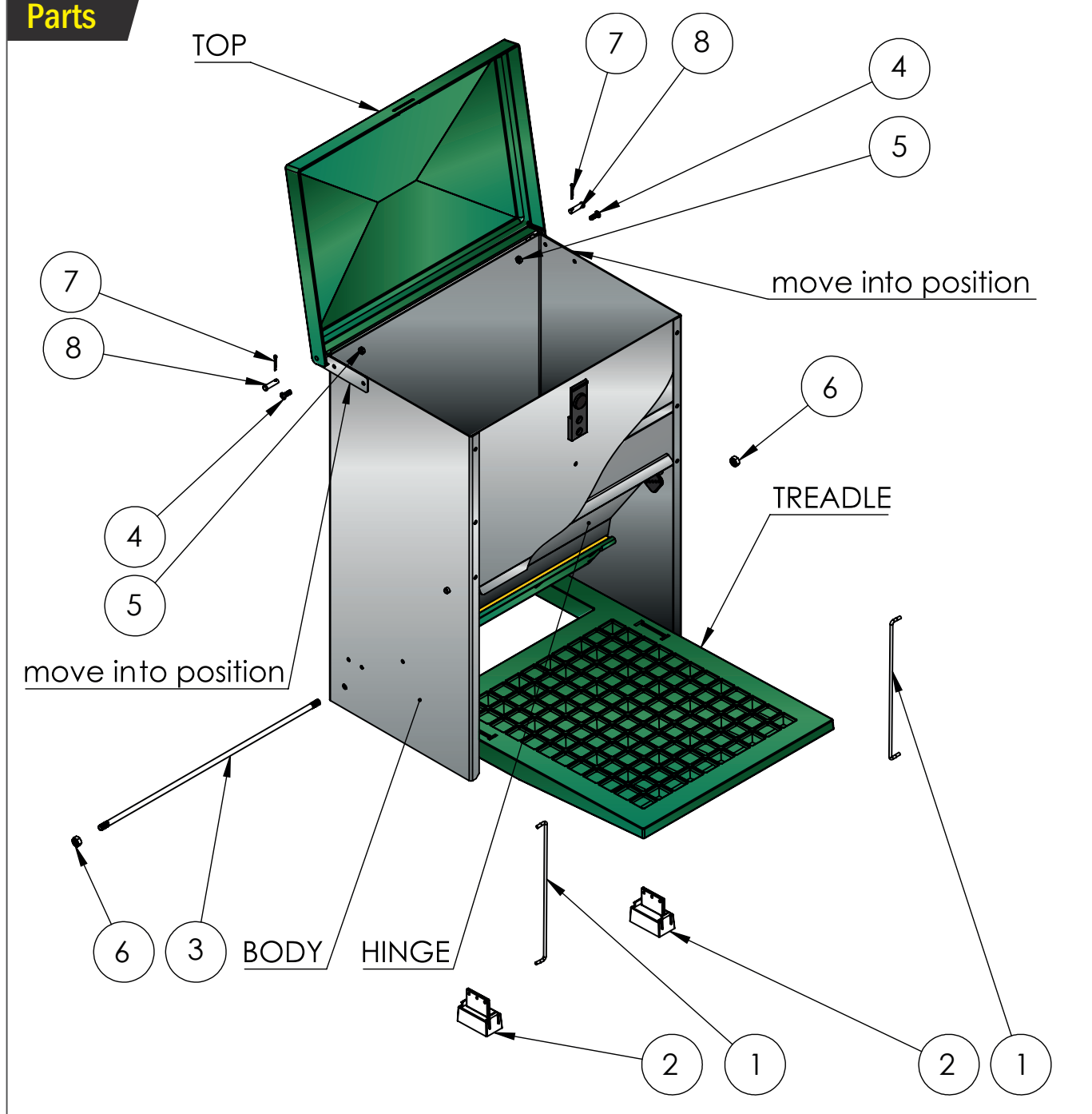
Training your flock how to use the treadle feeder

! Some animals need to get used to their new treadle feeder. Training them only takes approximately two or three days. Put a stone or a weight on the treadle to show the animal where the food is. Sometimes it might be helpful to keep the stone for a day or two on the treadle, this way the animals will discover themselves where the food is.



Assembling Feedomatic

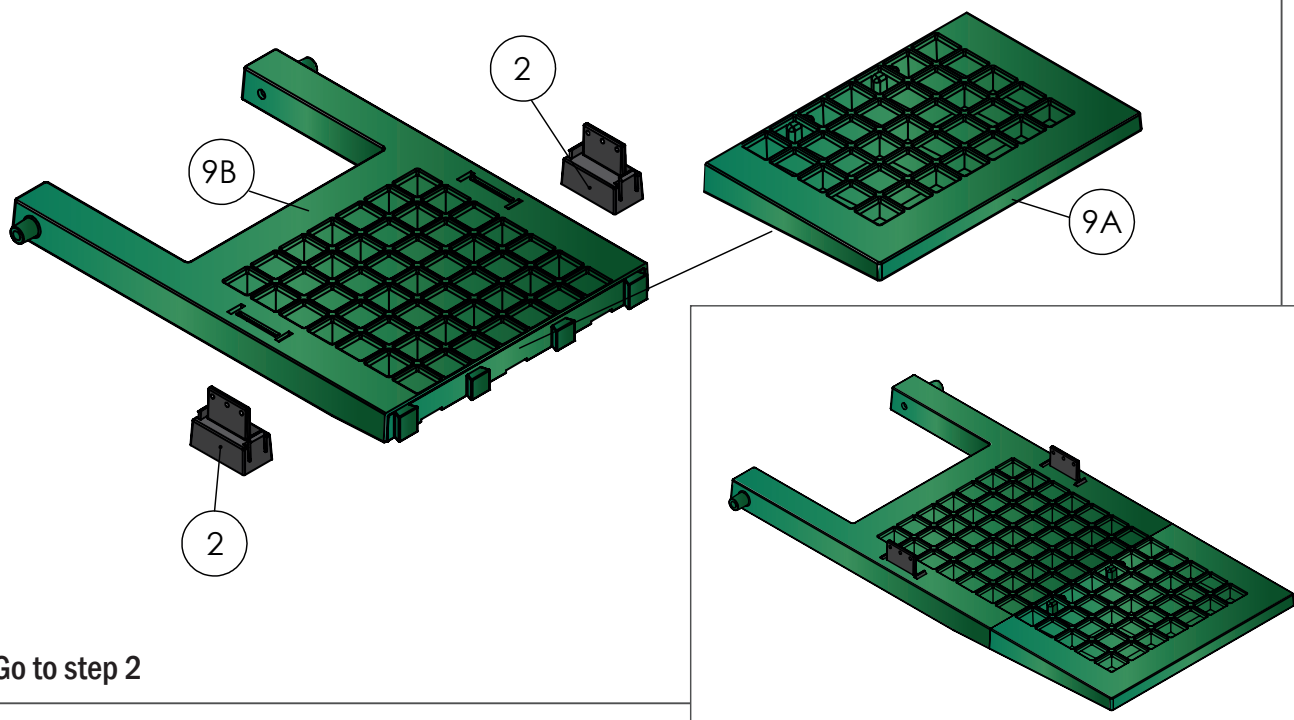
Parts



Item no.	Part number	Description	Qty.
1	Arm-c	Arm treadle/hinge	2
2	Hinge-tr-pl-c	Connector treadle	2
3	Shaft-bot-c	Shaft (M6)	1
4	Screw-m4	M4-Screw	2
5	M4-nut	M4-Nut	2
6	M6-nut	M6-Nut	2
7	Split-c	Split pin	2
8	Pin-c	Hinge pin	2

For AF05 and AF08 only

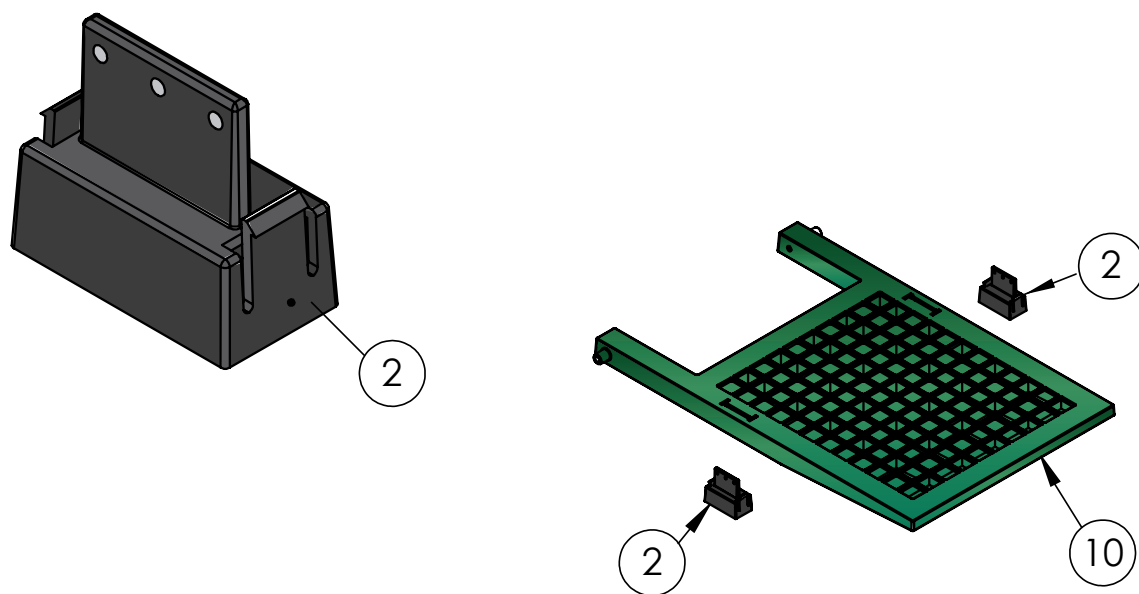
- A) Mount/click treadle front (9A) on treadle back (9B)
- B) Click connectors-treadle (2) in treadle



Go to step 2

1

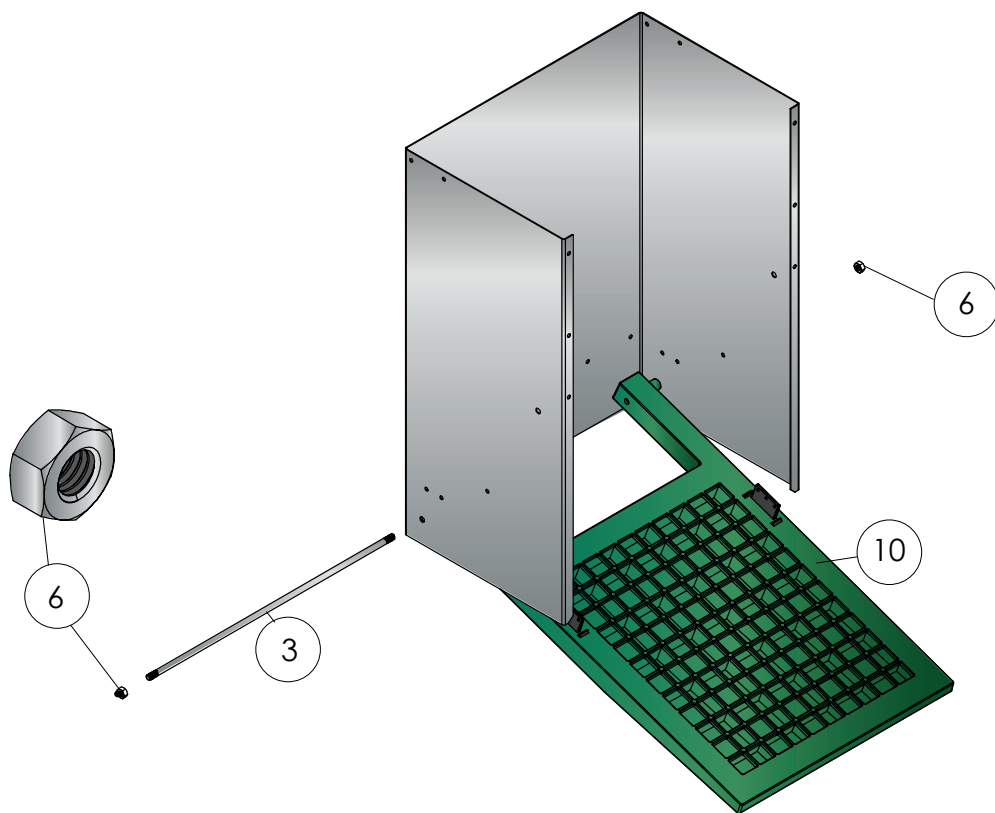
- Click connectors-treadle (2) in treadle (10)



Assembling Feedomatic

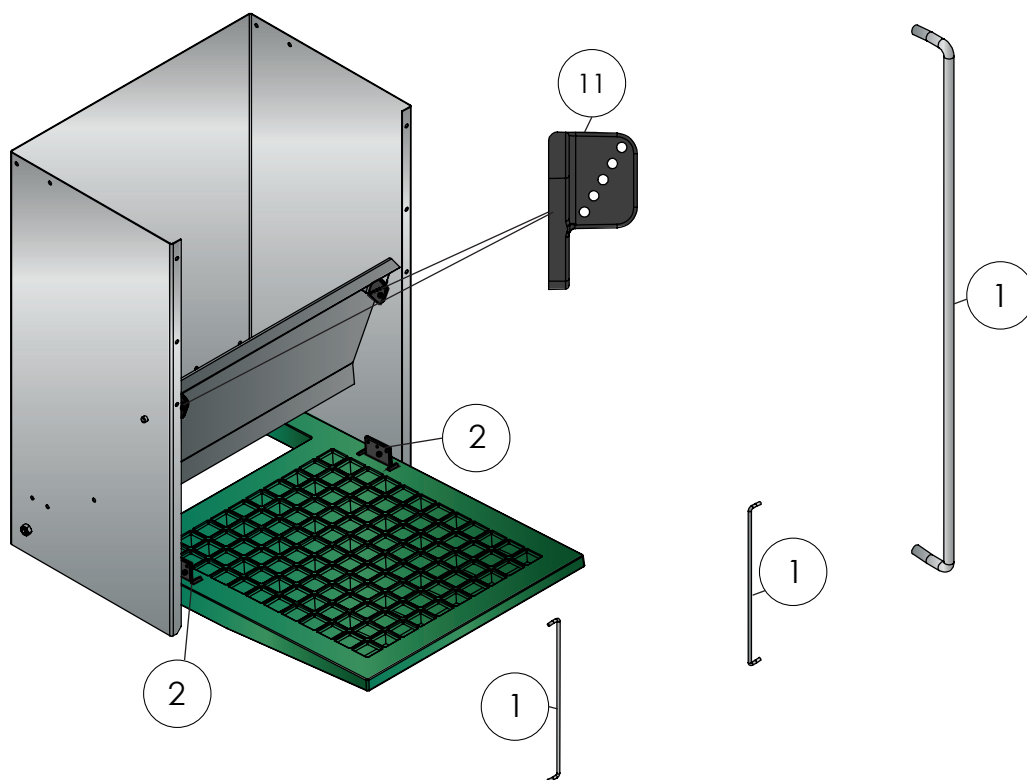
2

Mount bottom shaft (3) through body and treadle (10) with two M6-nuts (5)



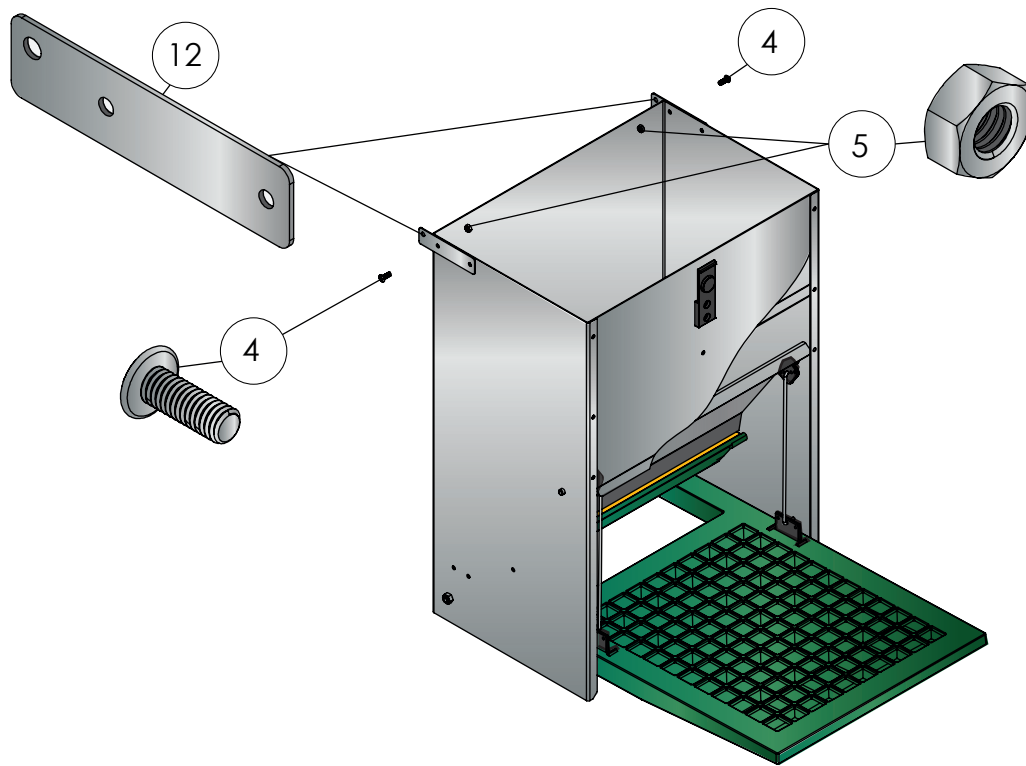
3

Mount connectors-treadle (2) and connectors hinge (11) with arms (1)



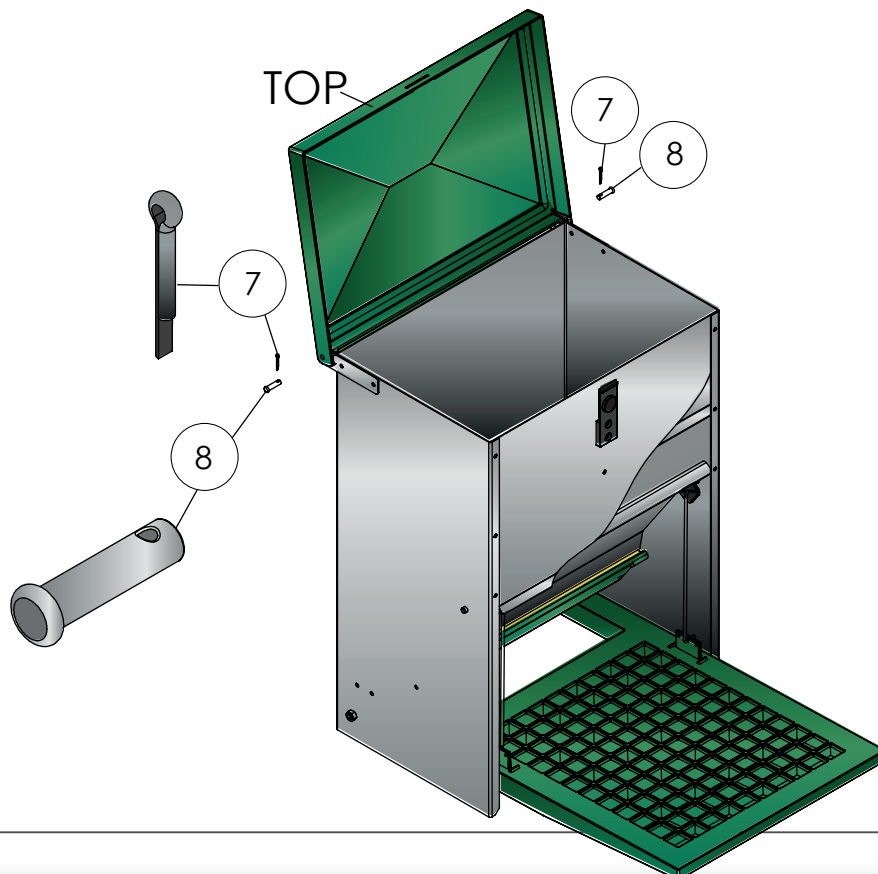
4

Move bracket (12) in to position, mount screw M4 (13) and nut M4 (4)



5

Mount top and secure the hinge pins (8) with split pins (7)



Adjustable minimum animal weight settings

The feeder can be operated by all poultry, the access to the food can be adjusted on basis of the weight of the animals. Each model of the Feedomatic has five different settings.

For animals of for example 500 grams, you choose bottom setting A and top setting 2 when you have a 5kg. or a 8kg. model of the Feedomatic. In case you have a 12kg. or a 20kg. model of the Feedomatic, you choose bottom setting A and top setting 1.

Model AF05F/AF08F

		Bottom setting		
		A	B	C
Top setting	1	350 GR	do not use	
	2	400 GR	do not use	do not use
	3	750 GR	do not use	do not use
	4	do not use	1000 GR	do not use
	5	do not use	1400 GR	

Model AF12F/AF20F

		Bottom setting		
		A	B	C
Top setting	1	450 GR	do not use	
	2	600 GR	do not use	do not use
	3	1200 GR	do not use	do not use
	4	do not use	1600 GR	do not use
	5	do not use	2500 GR	

Top weight setting



Bottom weight setting



Adjustable feed settings

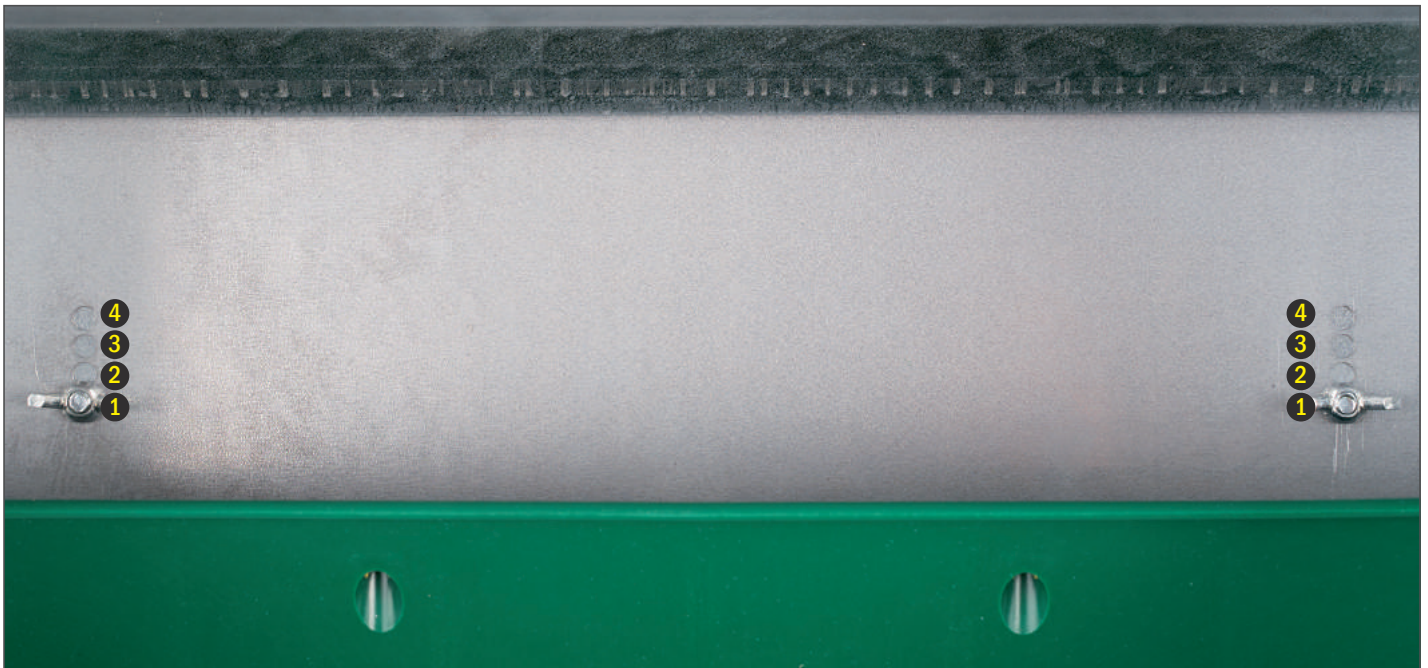
INNOVATIVE
PRODUCT

We have made some changes to our Feedomatic treadle feeder. It is now possible to adjust the height of the feed distribution.

In the previous model there was only one setting for the feed distribution (comparable with setting one). Now we have created more settings which allows you to regulate the feed distribution.

We have added an extra backplate to the inclined plate which opens when an animal steps on the treadle. The standard setting is setting one, the difference between each setting is 6 mm. By raising this backplate to setting four, there will be more space (18mm more) for the feed to go through.

Please make sure there is no feed in the feeder when you change the setting.



Setting 1 (less feed)



Setting 4 (more feed)

