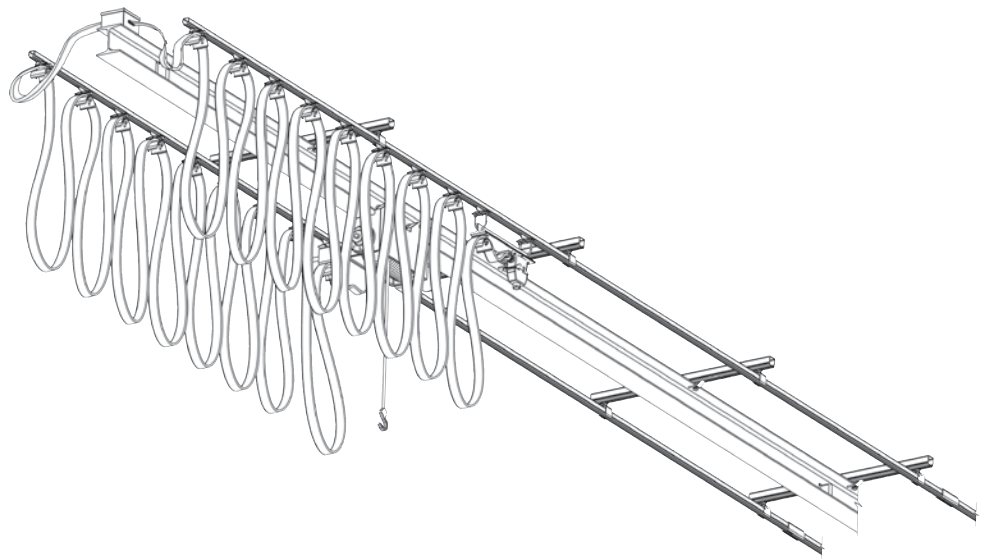


# Festoon Standard Duty C-Track



# Conductix Incorporated

The technical data and images which appear in this manual are for informational purposes only. **NO WARRANTIES, EXPRESS OR IMPLIED, INCLUDING WARRANTIES OF MERCHANTABILITY OR FITNESS FOR A PARTICULAR PURPOSE, ARE CREATED BY THE DESCRIPTIONS AND DEPICTIONS OF THE PRODUCTS SHOWN IN THIS MANUAL.** Conductix makes no warranty (and assumes no liability) as to function of equipment or operation of systems built according to customer design or of the ability of any of its products to interface, operate or function with any portions of customer systems not provided by Conductix.

Seller agrees to repair or exchange the goods sold hereunder necessitated by reason of defective workmanship and material discovered and reported to Seller within one year after shipment of such goods to Buyer.

Except where the nature of the defect is such that it is appropriate, in Seller's judgment, to effect repairs on site, Seller's obligation hereunder to remedy defects shall be limited to repairing or replacing (at Seller's option) FOB point of original shipment by Seller, any part returned to Seller at the risk and cost of Buyer. Defective parts replaced by Seller shall become the property of Seller.

Seller shall only be obligated to make such repair or replacement if the goods have been used by Buyer only in service recommended by Seller and altered only as authorized by Seller. Seller is not responsible for defects which arise from improper installation, neglect, or improper use or from normal wear and tear.

Additionally, Seller's obligation shall be limited by the manufacturer's warranty (and is not further warranted by Seller) for all parts procured from others according to published data, specifications or performance information not designed by or for Seller.

Seller further agrees to replace or at Seller's option to provide a refund of the sales price of any goods that do not conform to applicable specifications or which differ from that agreed to be supplied which non-conformity is discovered and forthwith reported to Seller within thirty (30) days after shipment to the Buyer. Seller's obligation to replace or refund the purchase price for non-conforming goods shall arise once Buyer returns such goods FOB point of original shipment by Seller at the risk and cost of Buyer. Goods replaced by Seller shall become the property of Seller.

There is no guarantee or warranty as to anything made or sold by Seller, or any services performed, except as to title and freedom from encumbrances and, except as herein expressly stated and particularly, and without limiting the foregoing, **there is no guarantee or warranty, express or implied, of merchantability or of fitness for any particular purpose or against claim of infringement or the like.**

Seller makes no warranty (and assumes no liability) as to function of equipment or operation of systems built to Buyer's design or of the ability of any goods to interface, operate or function with any portions of Buyer's system not provided by Seller.

Seller's liability on any claim, whether in contract, tort (including negligence), or otherwise, for any loss or damage arising out of, connected with, or resulting from the manufacture, sale, delivery, resale, repair, replacement or use of any products or services shall in no case exceed the price paid for the product or services or any part thereof which give rise to the claim. In no event shall Seller be liable for consequential, special, incidental or other damages, nor shall Seller be liable in respect of personal injury or damage to property not the subject matter hereof unless attributable to gross misconduct of Seller, which shall mean an act or omission by Seller demonstrating reckless disregard of the foreseeable consequences thereof.

Seller is not responsible for incorrect choice of models or where products are used in excess of their rated and recommended capacities and design functions or under abnormal conditions. Seller assumes no liability for loss of time, damage or injuries to property or persons resulting from the use of Seller's products. Buyer shall hold Seller harmless from all liability, claims, suits and expenses in connection with loss or damage resulting from operation of products or utilization of services, respectively, of Seller and shall defend any suit or action which might arise there from in Buyer's name - provided that Seller shall have the right to elect to defend any such suit or action for the account of Buyer. The foregoing shall be the exclusive remedies of the Buyer and all persons and entitles claiming through the Buyer.

## **1.0 Specifications**

## **2.0 Safety**

- 2.1 Electrical Warnings
- 2.2 Operational Warnings
- 2.3 Maintenance Warnings

## **3.0 Tools List**

## **4.0 Installation**

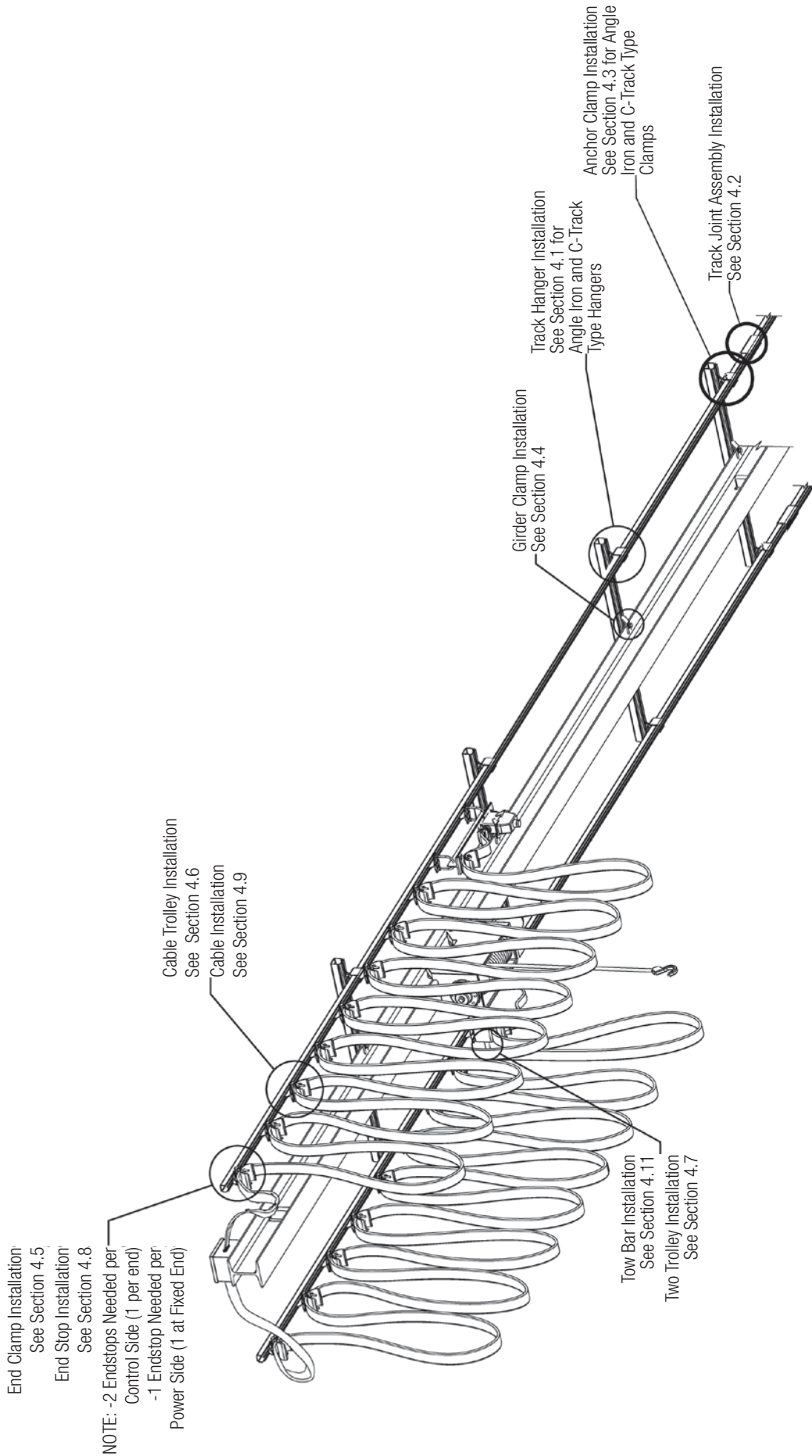
- 4.1 Track Hanger Installation
- 4.2 Track Joint Assemblies Installation
- 4.3 Anchor Clamp Installation
- 4.4 Girder Clamp Installation
- 4.5 End Clamp Installation
- 4.6 Cable Trolley Installation
- 4.7 Tow Trolley/Control Box Trolley Installation
- 4.8 End Stop Installation
- 4.9 Installation of Cables
- 4.10 Tow Webbing Installation
- 4.11 Tow Bar Installation
- 4.12 Installation Instructions for Pre-Assembled Festoon

## **5.0 Operation**

- 5.1 Pre-Operation Inspection
- 5.2 Operational Instructions

## **6.0 Maintenance**

- 6.1 Maintenance Instructions



## 1.0 Specification

- 1.1 Maximum trolley speed is 250 fpm.
- 1.2 Maximum load per trolley is 40 lbs.
- 1.3 C-Track material is 14 gauge galvanized or stainless steel. Loop depth of 3 ft. is typical unless otherwise specified.
- 1.4 The loop depth is the distance from the top of the track to bottom of the cable loop.
- 1.5 The minimum curve radius is 4 ft. Consult our Sales Team for loop depth requirements on curves.
- 1.6 Maximum cable thickness is 1.38"
- 1.7 Usable saddle width on cable carrier is 2.13"

## 2.0 Safety

### 2.1 Electrical Warnings

- 2.1.1 Properly ground all electrical connectors in accordance with the National Electric Code, local codes, and ordinances.
- 2.1.2 Disconnect and LOCK OUT / TAG OUT the electrical power from the system before any service is performed.
- 2.1.3 Do not use cable for loads greater than the voltage and current rating. The capacity rating of the cable should be in accordance with the National Electric Code.

### 2.2 Operational Warnings

- 2.2.1 Exercise care when handling the festoon system during normal operation.
- 2.2.2 Do not use cable different for which the system is intended. Change in diameter, weight per foot, length or flexibility of cable will affect the operation of the system.
- 2.2.3 Mounting hardware and fasteners should be installed to maintain tightness under vibration and checked periodically to insure tightness.

### 2.3 Maintenance Warning

- 2.3.1 WARNING: Modification of this equipment may cause excessive wear and will void the warranty. Contact CONDUCTIX INC. regarding changes or modifications to this equipment.

## 3.0 Tools List

### 3.1 Recommended Hand Tools

- a) Socket Wrench
- b) Torque Wrench
- c) 1/4" Open / Box End Wrench
- d) 7/16" Open / Box End Wrench
- e) 1/2" Open / Box End Wrench
- f) 9/16" Open / Box End Wrench
- g) 1/8" Allen Wrench
- h) Drill and Drill Bit Set

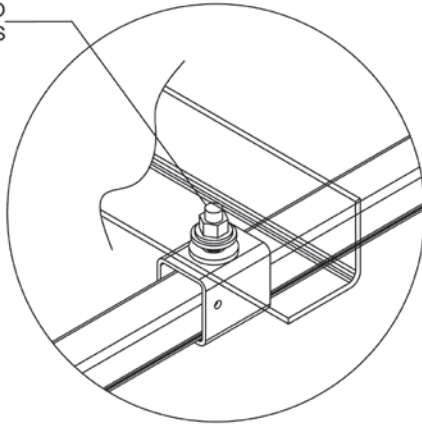
## 4.0 Installation

- 4.0.1 Standard Duty "C" Track festoon systems are light duty systems suited for cranes and hoists usually with lighter duty cycles.
- 4.0.2 Located longitudinal center line of runway where channel is to be installed.
- 4.0.3 If the C-Track is to be attached under a beam or stud, the hanger locations should be marked and drilled, or cross arm support installed.

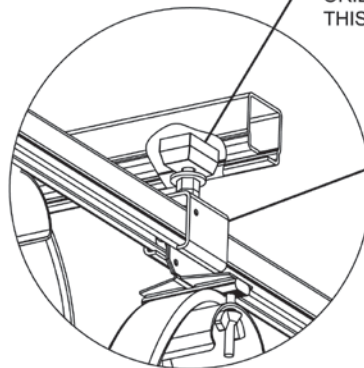
### 4.1 Track Hanger Installation

(9/16" Open / Box End Wrench Required)

TORQUE NUT TO  
30 FT-LBS



ORIENT BLOCK LIKE  
THIS INSIDE C-TRACK



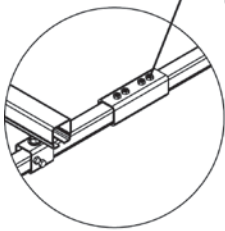
TRACK HANGER FOR  
USE WITH STANDARD  
C-TRACK CROSS ARM  
SUPPORT

- 4.1.1 The track hanger is designed to be mounted on angle iron brackets with one mounting hole. (can be mounted on c-track cross-arm support or other suitable structures) One track hanger is required for each cross arm support bracket for each track run at 5 ft. spacing. Extra track hanger and cross arm support bracket is required in storage area.
- 4.1.2 Slip the appropriate number of hangers on each section of C-Track (2) for a 10' section and (4) for a 20' section of C-Track.
- 4.1.3 Bolt the section loosely in place, joining the ends of the channels with splice joints as you progress.

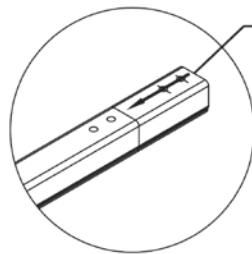
### 4.2 Track Joint Assemblies Installation

(7/16" Open / Box End, 1/8" Allen Wrench 3/32" Drill Bit Required)

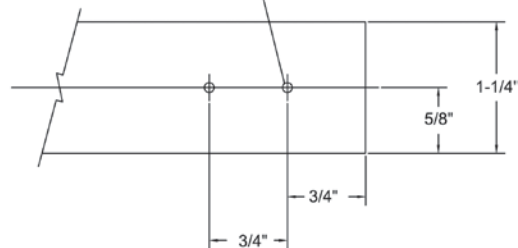
ALIGN SET SCREWS WITH  
HOLES IN C-TRACK. TIGHTEN  
SCREWS UNTIL SEATED IN HOLES.  
LOCK SET SCREW DOWN  
WITH NUT, TORQUE NUT TO  
10 FT-LBS



IF C-TRACK MUST BE SHORTENED  
THE HOLE PATTERN MUST BE TRANSFERRED  
TO THE NEW CUT LENGTH.  
SEE PATTERN BELOW.



DRILL (2) 3/32" HOLES

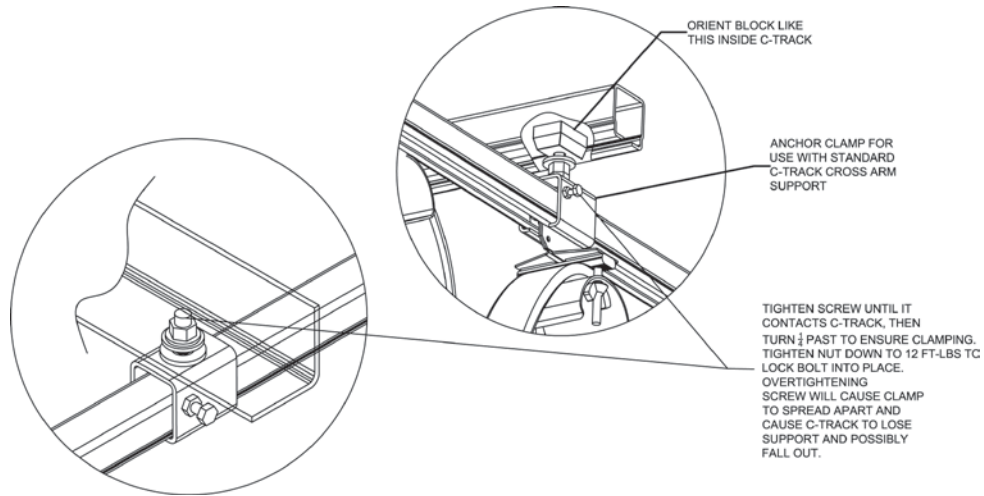


- 4.2.1 Track joints clamp for secure attachment and proper alignment of track section. Each kit includes four set screws and nuts. Welded splice assemblies are also available.
- 4.2.2 Install the joints and tighten fasteners using a 1/8" Allen and a 7/16" open/box end or weld in place.

## 4.0 Installation

### 4.3 Anchor Clamp Installation

(9/16" & 7/16" Open / Box End Wrench Required)

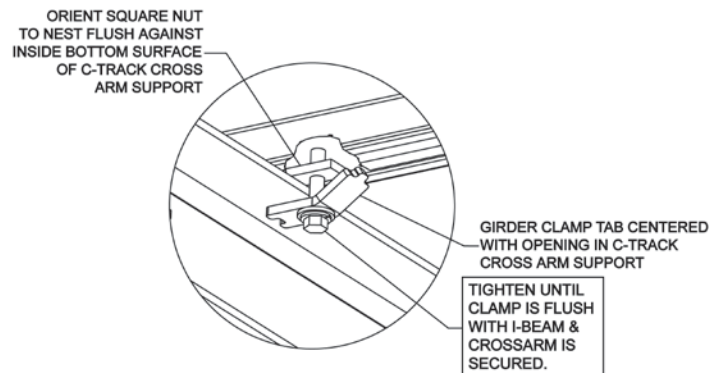


- 4.3.1 Anchor clamps are designed to hold the track in place while allowing free expansion of the system due to temperature changes. One anchor clamp is required per run and should be placed as close to the center of the system as possible.
- 4.3.2 In the center of the system, place an Anchor Clamp instead of a Track Hanger Clamp to anchor the system. The C-Track is now positioned into place.

### 4.4 Girder Clamp Installation

(1/2" Open / Box End Wrench Required)

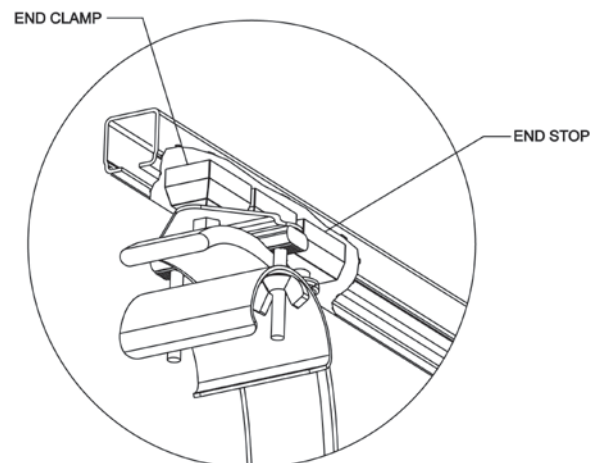
- 4.4.1 Girder clamps are designed to hold the cross-arm supports to the I-beam. Two girder clamps required per cross-arm support.



### 4.5 End Clamp Installation

(1/2" Open / Box End Wrench Required)

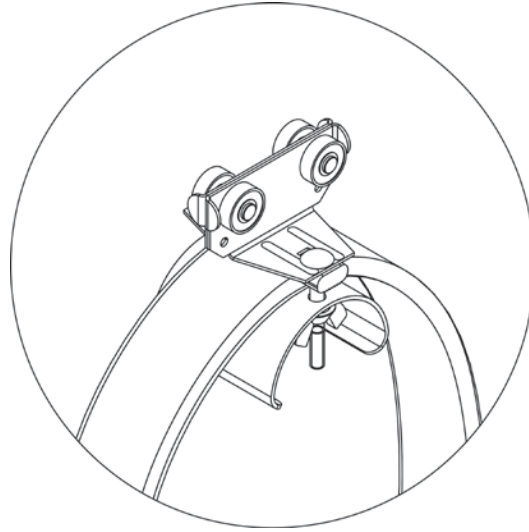
- 4.5.1 The End Clamp is the first cable carrier at the fixed end of the festoon system. The "End Clamp" will always be the stationary component of the festoon system and does not have wheels. Typically only one is required per system.
- 4.5.2 Install the end clamp assembly at the far end of the fixed end of the C-Track and tighten fasteners to 11 ft.-lbs.





## 4.0 Installation

### 4.6 Cable Trolley Installation



4.6.1 **WARNING - DO NOT INSTALL TROLLEYS IN THE C-TRACK UNTIL ALL HANGERS AND SPLICES ARE SECURELY FASTENED TO THE RECOMMENDED TORQUE.**

4.6.2 The cable Trolley is the device with rollers that rolls inside the C-Track and carries the electrical cable down the track.

4.6.3 With the channel securely located, install the carriers into the slot of the C-Track. Place all trolleys into the track.

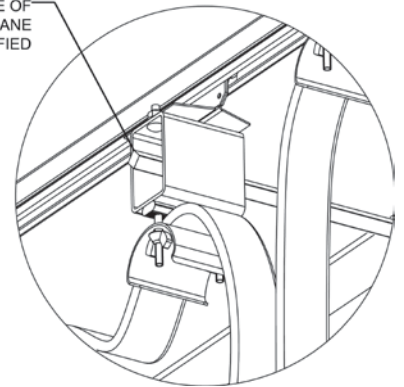
### 4.7 Tow Trolley / Control Box Trolley Installation

4.7.1 The Tow Trolley is the first cable carrier at the mobile end of a power festoon system. The Tow Trolley attaches to the crane power consumer usually with a tow arm.

4.7.2 The Control Box Trolley is the first mobile carrier at the mobile end of a control festoon system. The Control Box Trolley consists of a mobile junction box or a quick disconnect connector to which a push button pendant may be wired.

4.7.3 Place the Tow Trolley / Control Box Trolley into C-Track the same as the Cable Trolleys.cross-arm support.

TOW BAR SHOULD BE CENTERED  
TOP TO BOTTOM IN TOW BOX,  
THIS ALLOWS FOR A FREE RANGE OF  
MOVEMENT FOR THE CRANE  
OR SYSTEM THAT IS BEING ELECTRIFIED



### 4.8 End Stop Installation

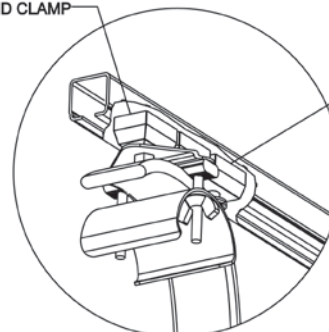
(1/2" Open / Box End Wrench Required)

4.8.1 One end stop is required for power systems, two are required for control systems with a control trolley to stop the trolley from rolling out of the C-Track.

4.8.2 Install and tighten the end clamp and end stop(s) firmly in place. Torque fasteners for 11 ft. -lbs.

4.8.3 On pendant control lines and / or systems where the active travel is near the end of the channel. It is advisable to install a second stop.

END CLAMP



END STOP  
QUANTITIES REQUIRED:  
-2 PER CONTROL SIDE OF  
FESTOON SYSTEM (1 EACH END)  
-1 PER POWER SIDE OF  
FESTOON SYSTEM



## 4.0 Installation

### 4.9 Installation of Cables

4.9.1 Before beginning the installation of cables, remove the cable clamping pad assemblies from the tow trolley, trolleys, and end clamp.

4.9.2 Install cables on the equipment per the pre-designed arrangement or the following rules:

4.9.2.1 Arrange cables with the larger cables (power cables) on top of stack (see diagram below). This provides a larger bending radius as well as improved heat dissipation. Since the top cable also takes more pulling force during operation, the larger conductor is better suited to handle this force. Note the specified cable loop depth and allowance for hookup.

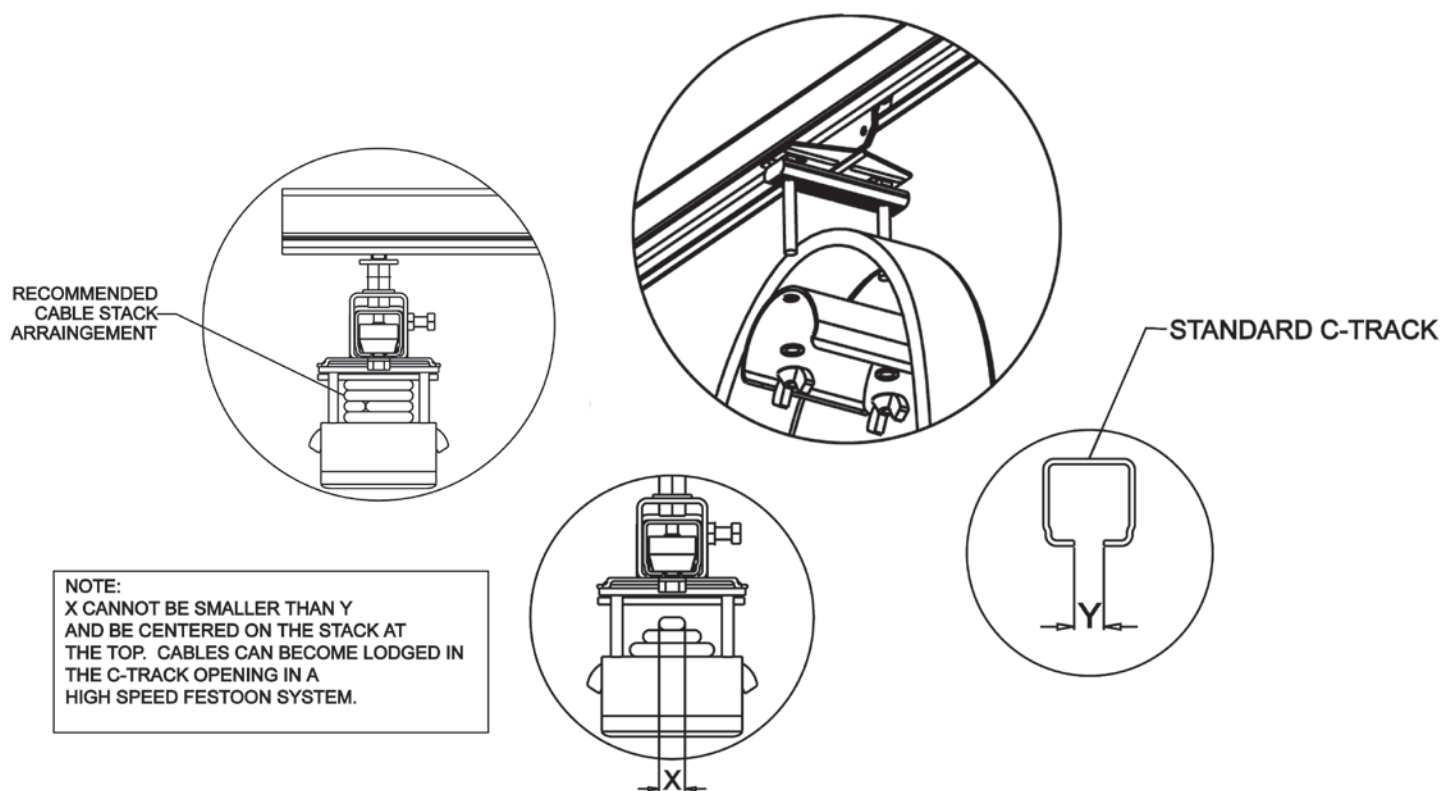
4.9.2.2 Arrange the cable package with a width to height ratio of 3 or 4 to 1. Tall narrow cable stacks can be unstable during operation.

4.9.2.3 Arrange cables with a minimum of 50% of each cable surface under clamp pressure (See diagram below).

4.9.2.4 Install tow webbing if required, see section 4.9 for instructions.

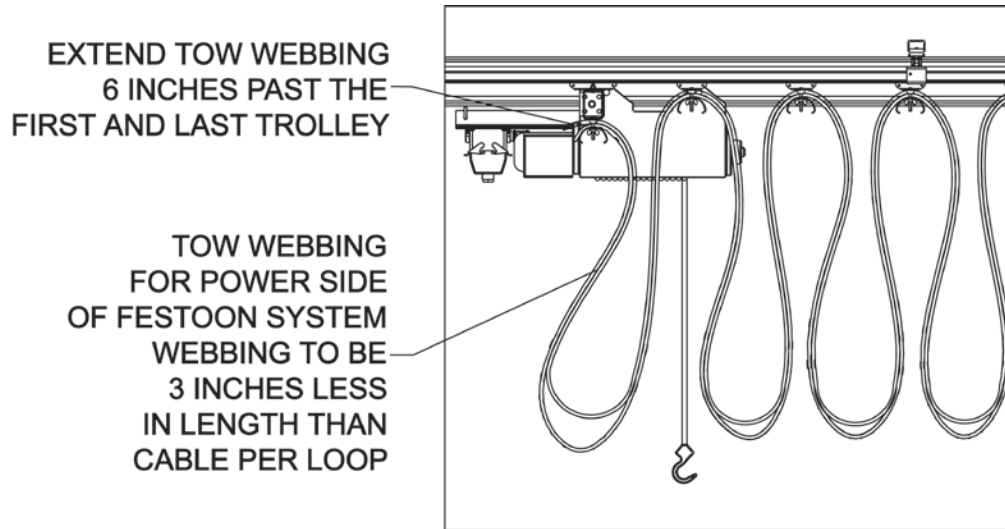
4.9.2.5 After setting the cables to the proper loop depth and arranging the cables as designed, re-install the cable clamping pad assemblies. Be sure the smallest cables do not move when pulled.

4.9.2.6 As an alternative method, cable may be clamped in the saddles prior to installing the carriers on the channel.



## 4.0 Installation

### 4.10 Tow Webbing Installation



4.10.1 Tow webbing is used in both High Speed and Outdoor applications to reduce the shock and pulling tension on the electrical cable.

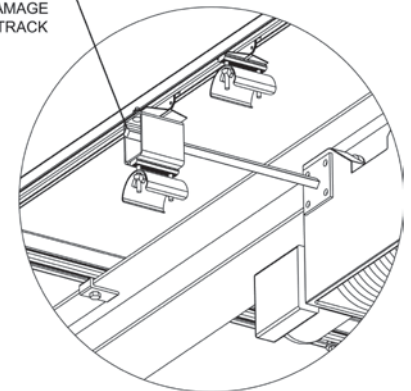
4.10.2 The tow webbing is installed on top of the electrical cable and held in place by the saddle on the cable trolley. The webbing length is generally 3 inches less than cable per loop of the length of the cable between cable trolleys. Contact factory for high speed applications to determine webbing length.

### 4.11 Tow Bar

4.11.1 The tow bar is fixed to the crane and is designed to engage tow box to move festoon system.

4.11.2 Install the tow bar on the crane or system that is to be electrified. Center and align tow bar with the Tow Trolley.

TOW BAR SHOULD BE CENTERED  
TOP TO BOTTOM IN TOW BOX,  
THIS ALLOWS THE CRANE OR HOIST  
TO MOVE UP AND DOWN AND NOT DAMAGE  
THE TOW TROLLEY OR C-TRACK



### 4.12 Installation Instructions for Pre-Assembled Festoon Systems

4.12.1 Pre-assembled festoon systems are typically built and shipped installed on a C-Track Channel by CONDUCTIX INC.

4.12.2 Upon arrival at the job-site, inspect the festoon system to insure electrical cables and festoon components have not been damaged during transit.

4.12.3 Attach hoisting cables at each end of the pre-assembled festoon C-Track and lift into position. The shipping C-Track mobile end must align with the permanent festoon C-Track.

4.12.4 Remove the end stop from the mobile end of temporary C-Track and roll the Tow / Control Box trolley and succeeding cable trolleys into the permanent C-Track.

4.12.5 Make mechanical connections of towing arm and insure all end stops are applied and tightened.

4.12.6 Make electrical connections as required.

## 5.0 Operation

### 5.1 Pre-Operation Inspection

5.1.1 The festoon system is now installed. Prior to hookup and application of power, the carrier should be cycled manually, if possible.

5.1.1.1 Check for proper mounting of end clamps.

5.1.1.2 Check for obstructions of channel joints.

5.1.1.3 Check cable for proper loop depth, freedom of travel, and stretch-out.

5.1.2 On pendant systems, check for proper spacing of the pendant to the floor, and connect this cable in the junction box.

5.1.3 The cable connections now can be made to the power unit and the source, using the appropriate cable strain relief bushing(s).

### 5.2 Operation Instructions

5.2.1 Do not exceed the voltage or amperage rating of the cable. Overheating, fire, damages to equipment or personal injury could result.

5.2.2 Operate the festoon system within the electrical and mechanical limits it was intended.

## 6.0 Maintenance

### 6.1 Maintenance Instructions

6.1.1 All trolleys are lubricated and sealed for life, therefore no re-greasing is required. However, customers should conduct periodic inspections of the system. Determine the inspection intervals based on duty cycles and environment. The following checks are recommended during inspection:

6.1.1.1 Check all rollers for wear

6.1.1.2 Check tightness of all hardware. (See torque specifications)

6.1.1.3 Check cable clamps on all trolleys, making sure cables remain secure.

6.1.1.4 Inspect cable for any cuts or cracks.

6.1.1.5 Check channel for wear, and clear the running surface of any debris.

[www.conductix.com](http://www.conductix.com)

**Conductix-Wampfler**

10102 F Street  
Omaha, NE 68127  
USA

Customer Support  
Phone: 800 521 4888  
Fax: 800 780 8329

Phone: 402 339 9300  
Fax: 402 339 9627

[info.us@conductix.com](mailto:info.us@conductix.com)  
[www.conductix.com](http://www.conductix.com)

