

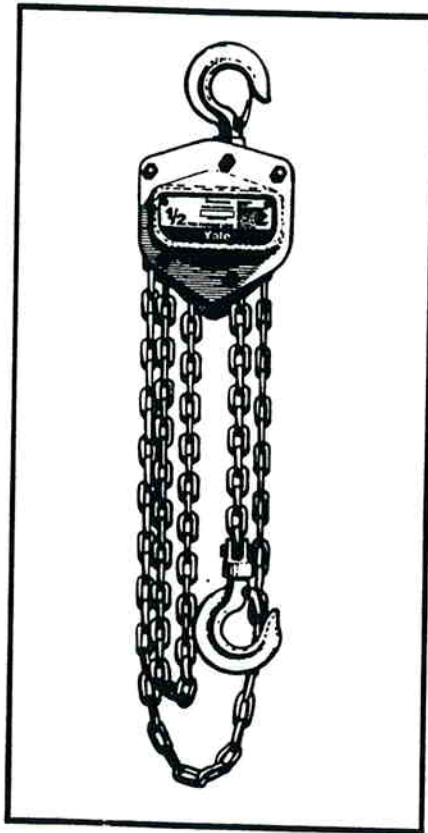
Yale[®]

OPERATING AND MAINTENANCE INSTRUCTIONS

WITH PARTS LIST

PUBLICATION NO. SHA-680

SHOP KING HAND CHAIN HOIST



SHA SERIES

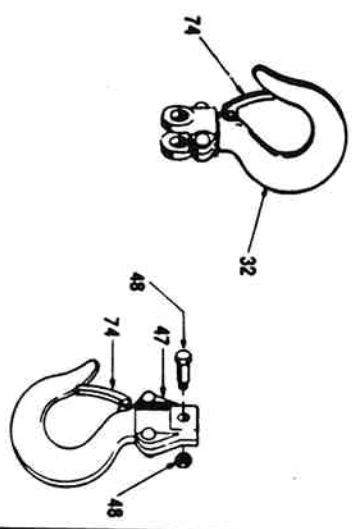
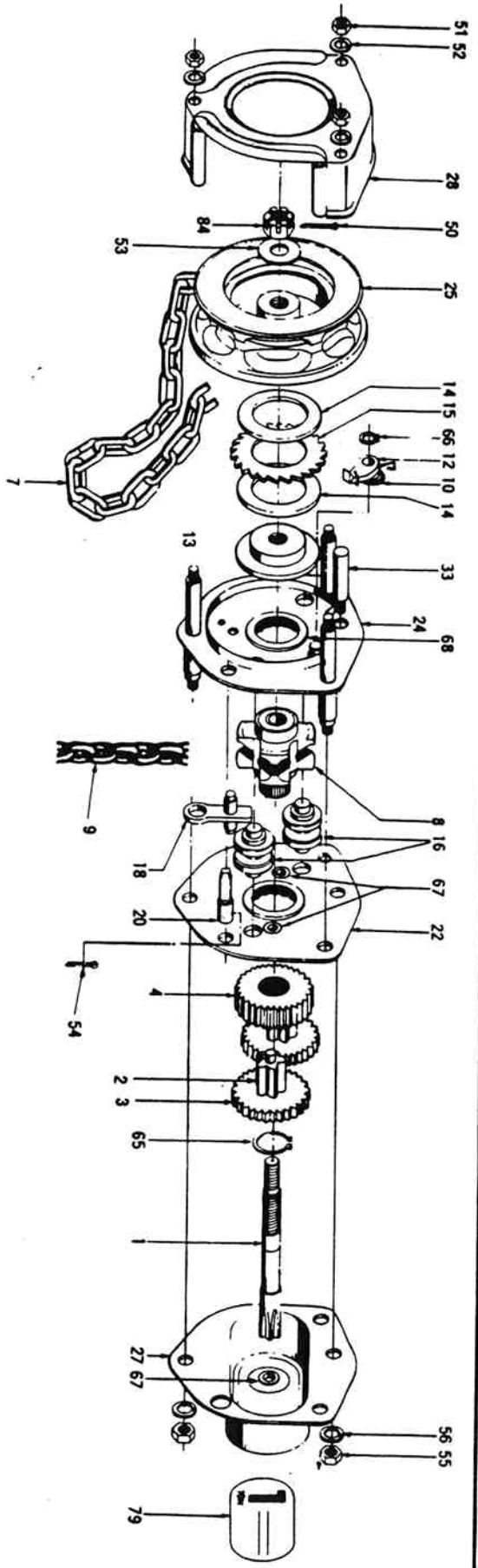
IMPORTANT – CAUTION

This manual contains important information for the correct installation, operation and maintenance of the equipment described herein. All persons involved in such installation, operation and maintenance should be thoroughly familiar with the contents. To safeguard against the possibility of personal injury or property damage, follow the recommendations and instructions of this manual and keep it for further reference.

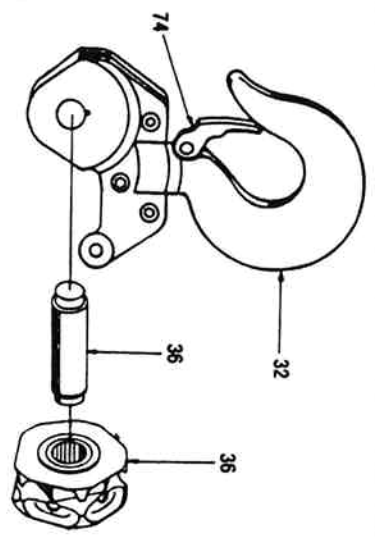
WARNING

The equipment shown in this manual is intended for industrial use only and should not be used to lift, support, or otherwise transport people.

 **Duff-Norton**



1/2, 1, 2, 3 TON CAPACITY



5 TON CAPACITY

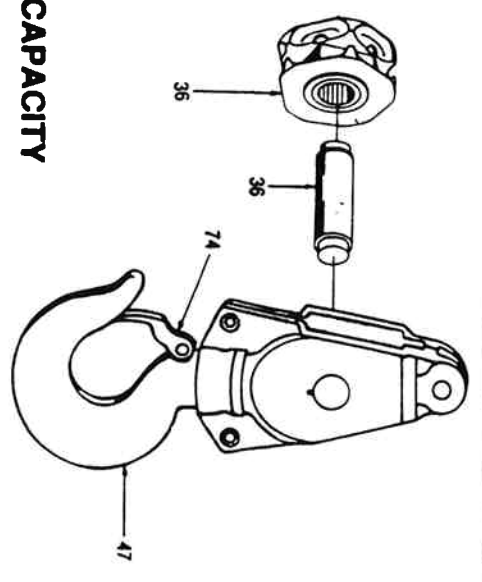


FIGURE 3 — EXPLODED VIEW

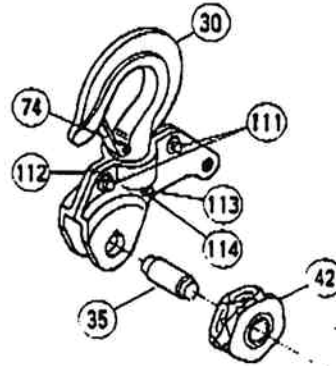
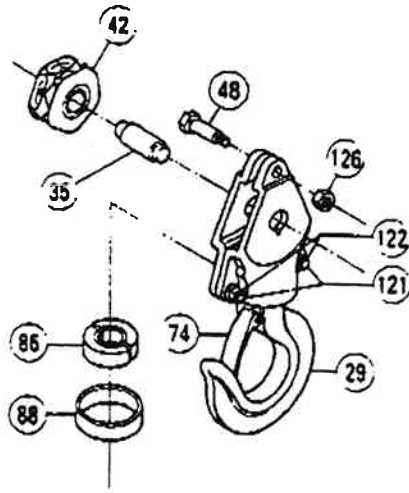
PARTS LIST

Description	Consist of Index No.	1/2 Ton Part No.	1 Ton Part No.	1 1/2 Ton Part No.	2 Ton Part No.	3 Ton Part No.	5 Ton Part No.
Pinion Shaft	1	GHH5001	JHH5001	KHH5001	LHH5001	NHH5001	KHH5001
Pinion Gear	2, 3 (Set of 2)	GHH5003T	JHH5003T	KHH5003T	LHH5003T	NHH5003T	KHH5003T
Load Gear	4	GHH5004	JHH5004	KHH5004	LHH5004	NHH5004	KHH5004
Load Sheave	8	GHE5008	JHE5008	KHE5008	LHE5008	NHH5008	KHH5008T
Hand Chain (Per Foot)	7	GHH5009J	GHH5009J	GHH5009J	GHH5009J	GHH5009J	GHH5009J
Load Chain (Per Foot)	9	GH5009T	JHH5009T	KHH5009T	LHH5009T	LSB19-2	KHH5009T
Pawl Kit	10, 12, 66	GHH5099	JHH5099	KHH5099	LHH5099	NHH5099	KHH5099
Disc Hub	13	GHH5013	JHH5013	KHH5013	LHH5013	LHH5013	KHH5013
Friction Disc	14 (Set of 2)	GHH5014	JHH5014	KHH5014	LHH5014	LHH5014	KHH5014
Ratchet	15	GHH5015	JHH5015	KHH5015	LHH5015	LHH5015	KHH5015
Handwheel Cover	28	GHH5028	JHH5028	KHH5028	LHH5028	NHH5028	KHH5028
Top Hook	32 w/74	GHH5032T	JHH5032T	KHH5032T	LHH5032T	NHH5032T	PHH5032T
Bottom Hook	47, 48 w/74	GHH5047U	JHH5047U	KHH5047U	LHH5047U	NHH5047U	PHH5047U
Chain Fastening Bolt	48	GHH5048U	JHH5048U	KHH5048U	LHH5048U	NHH5048U	PHH5048U
Hardware Repair Kit Per Hoist	50, 51, 52, 53, 54 55, 56, 65, 84	GHH5586	JHH5586	KHH5586	LHH5586	NHH5586	KHH5586
Bearing for Pinion	67 (Set of 4)	GHH5067	GHH5067	KHH5067	LHH5067	TR132713NR	KHH5067
Bearing for Load Sheave	68 (Set of 2)	GHE5005	JHE5005	KHE5005	LHE5005	TR506213NR	TR364710NR
Latch Kit	74	GHH5074U	JHH5074U	KHH5074U	KHH5074U	NHH5074U	PHH5074U
Chain Guide Kit	16 (2), 18, 20	GHH161820	JHH161820	KHH161820	LHH161820	NHH161820	KHH161820
Gear Side Plate	22 w/o 67, 68	GHH5022	JHH5022	KHH5022	LHH5022	NHH5022	KHH5022
Wheel Side Plate	24 w/o 68	GHE5024T	JHE5024T	KHE5024T	LHE5024T	NHE5024T	KHE5024T
Handwheel	25	GHH5025	JHH5025	KHH5025	LHH5025	NHH5025	KHH5025
Gear Cover	27 w/o 67, 79	GHH5027	JHH5027	KHH5027	LHH5027	NHH5027	KHH5027
Yoke Pin	33	RH4010033	RH4010033	RH4015033	RH4020033	HH4030033	RH4015033
Decal	79	647430401	647430402	647430406	647430403	647430404	647430405
Idle Sheave Assembly	36	—	—	—	—	—	PHH5042

When ordering spare parts, be sure to state part number, capacity, model number and quantities referring to the above list.

8t-10t

SHA



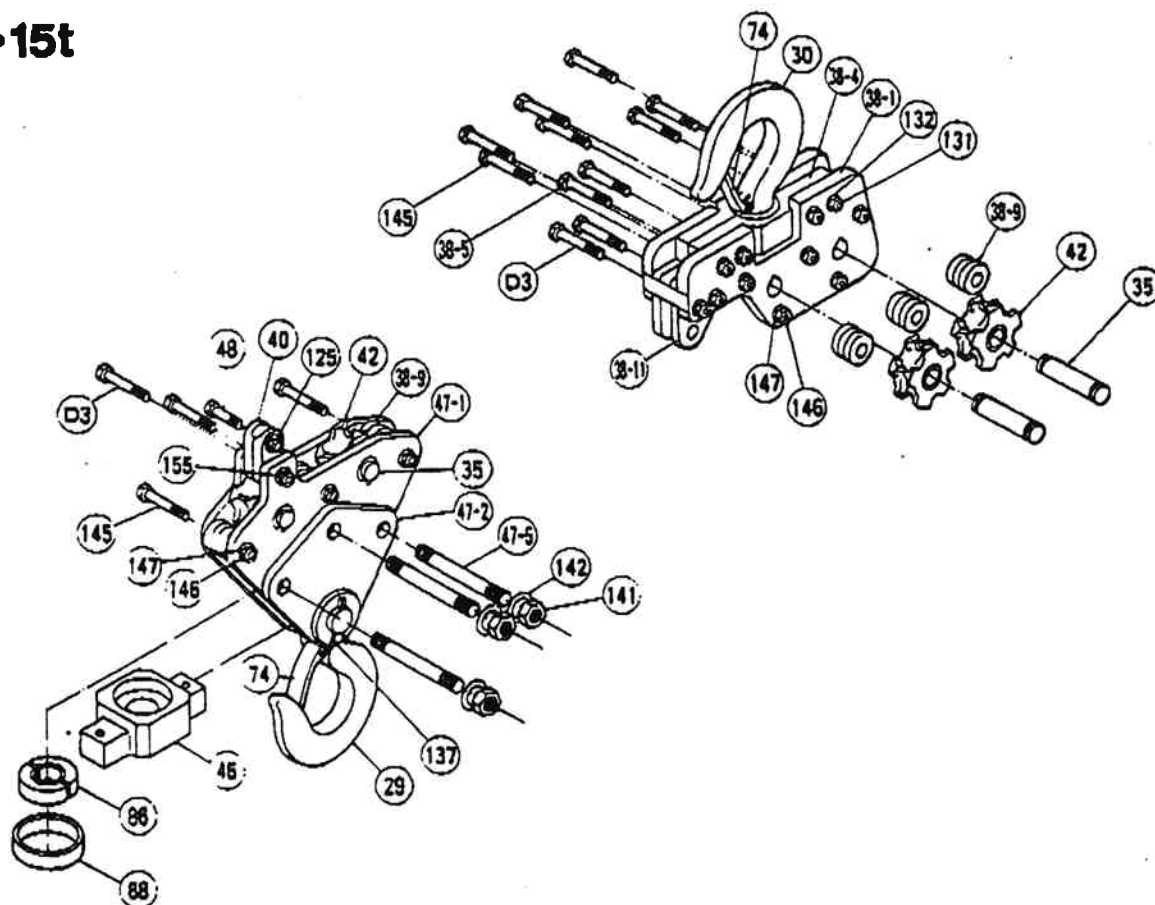
*Use 3 ton parts
except for upper
& lower hooks*

8t-10t

Description	Consist of Index No.	8 Ton Part No.	10 Ton Part No.
Bottom Hook	29	SHH50B29	SHH50B29
Top Hook	30	SHH50T29	SHH50T29
Wheel Pin Top Hook or Bottom Hook	35	SHH5035	SHH5035
Wheel Pin Top Hook or Bottom Hook	42	SHH5042	SHH5042
Bottom Holder Bolt	48	SHH5048	SHH5048
Safety Latch Lever	74	SHH5074	SHH5074
Cotter	86	SHH5054	SHH5054
Cotter Cover	88	SHH5055	SHH5055

Description	Consist of Index No.	8 Ton Part No.	10 Ton Part No.
Hexagon Socket Bolt	111	CBM16x40	CBM16x40
Nylon Nut	112	HNNIM16	HNNIM16
Hexagon Socket Bolt	113	CBM12x35	CBM12x35
Nylon Nut	114	HNNIM12	HNNIM12
Spring Nut	115	HUNIM12L	HUNIM12L
Hexagon Socket Bolt	121	CBM16x40	CBM16x40
Nylon Nut	122	HNNIM16	HNNIM16

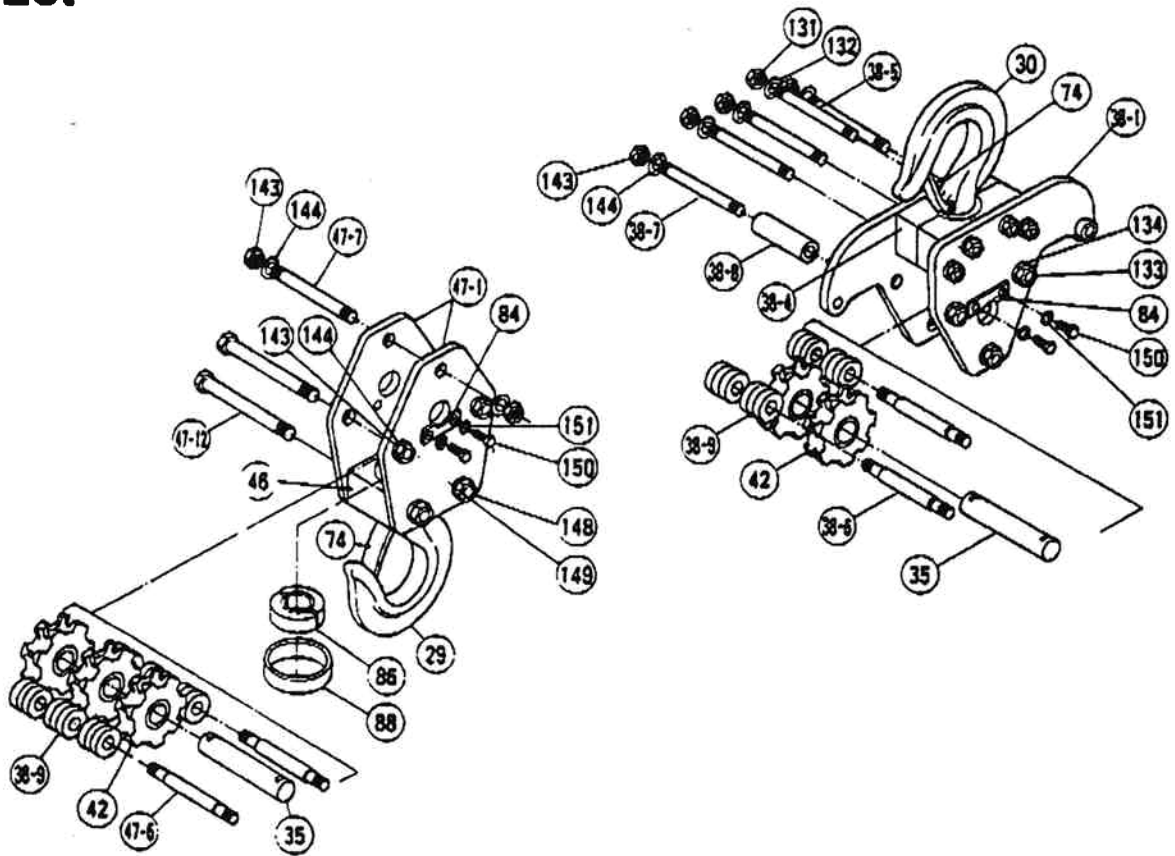
12t-15t



12t-15t

Description	Consist of Index No.	12 Ton Part No.	15 Ton Part No.	Description	Consist of Index No.	12 Ton Part No.	15 Ton Part No.
Bottom Hook	29	UHH50B29A	UHH50B29A	Stay Bolt A for Bottom Holder	47-5	UHH5A0475	UHH5A0475
Top Hook	30	UHH50T29A	UHH50T29A	Bottom Holder Bolt	48	UHH5048	UHH5048
Wheel Pin for Top Hook or Bottom Hook	35	HH4100035	HH4100035	Safety Latch Lever	74	UHH5074T	UHH5074T
Side Plate for Yoke	38-1	UHH5A0381	UHH5A0381	Cotter	86	UHH5054	UHH5054
Top Cross	38-4	UHH5A0384	UHH5A0384	Cotter Cover	88	UHH5088	UHH5088
Stay Bolt A for Yoke	38-5	UHH5A0385	UHH5A0385	Hexagon U Nut	125	HUNIM12L	HUNIM12L
Chain Guide Roller	38-9	UHH5A0389	UHH5A0389	Hexagon Nut	131	HNIM20	HNIM20
Joint Plate	38-11	UHH5A03811	UHH5A03811	Spring Washer	132	SWM20	SWM20
Chain Stop Plate	40	UHH5A040	UHH5A040	Cotter Pin	137	SP8×70	SP8×70
Wheel for Top Hook or Bottom Hook	42	SHH5042	SHH5042	Hexagon Nut	141	HNIM24	HNIM24
Bottom Cross	46	UHH5046	UHH5046	Spring Washer	142	SWM24	SWM24
Side Plate A for Bottom Holder	47-1	UHH5A0471	UHH5A0471	Hexagon Bolt	145	HBBM16×90	HBBM16×90
Side Plate B for Bottom Holder	47-2	UHH5A0472	UHH5A0472	Hexagon Nut	146	HNIM16	HNIM16
				Spring Washer	147	SWM16	SWM16
				Nylon Nut	155	HNNIM16	HNNIM16
				Yoke Pin	D3	MH4030D03	MH4030D03

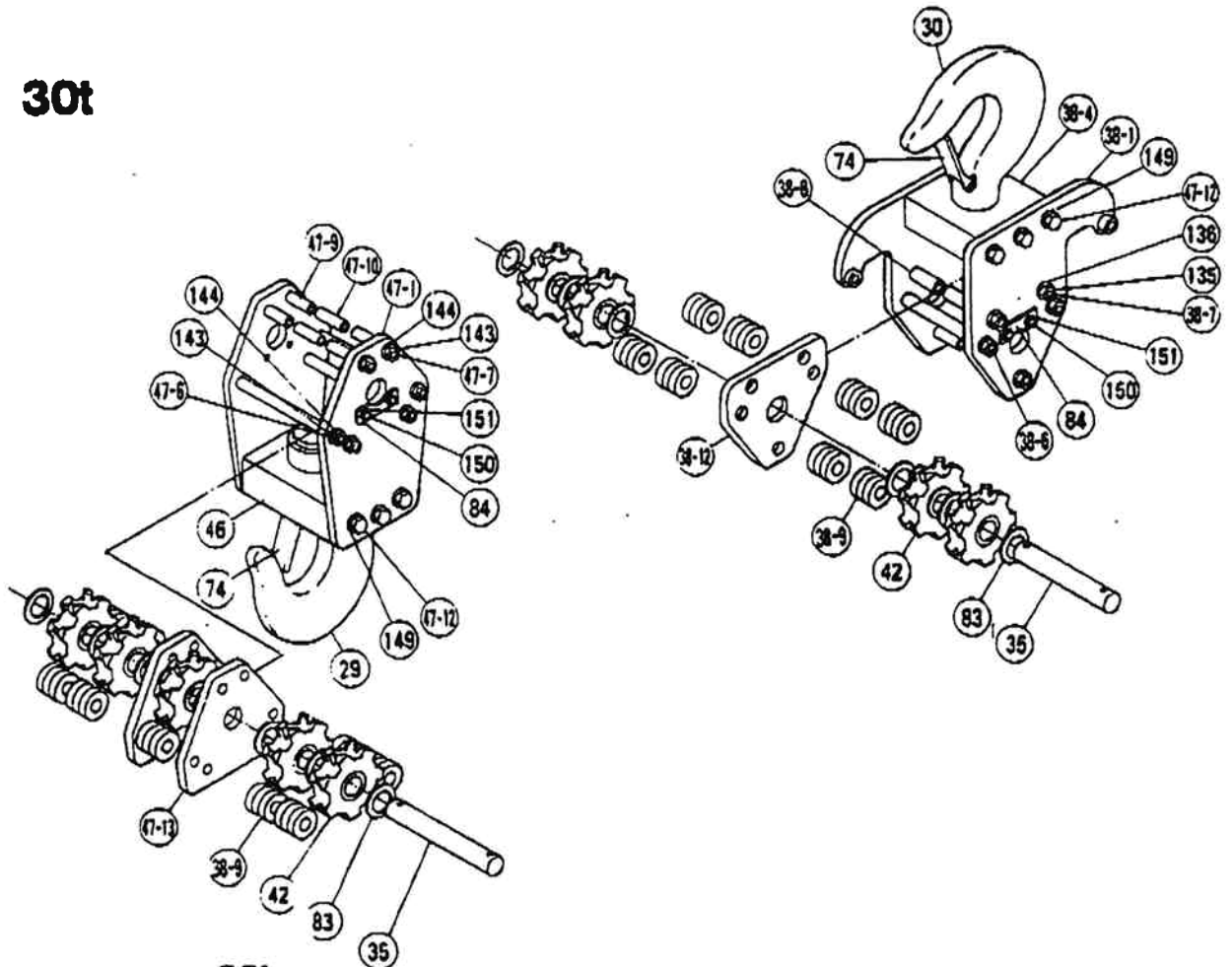
20t



20t

Description	Consist of Index No.	20 Ton Part No.	Description	Consist of Index No.	20 Ton Part No.
Bottom Hook	29	VHH50B29A	Bolt for Top Cross or Bottom Cross	47-12	VHH504712
Top Hook	30	VHH50T29A	Safety Latch Lever	74	VHH5047T
Wheel Pin for Top Hook or Bottom Hook	35	VHH5035	Kee Plate	84	VHH5084
Side Plate for Yoke	38-1	VHH50381	Cotter	86	VHH5054
Top Cross	38-4	VHH50384	Cotter Cover	88	VHH5088
Stay Bolt A for Yoke	38-5	VHH50385	Hexagon Nut	131	HNIM24
Stay Bolt B for Yoke	38-6	VHH50386	Spring Washer	132	SWM24
Stay Bolt C for Yoke	38-7	VHH50387	Hexagon Nut	133	HNIM16
Stay Pipe for Yoke	38-8	VHH50388	Spring Washer	134	SWM16
Chain Guide Roller	38-9	VHH50389	Hexagon Nut	143	HNIM16
Wheel for Top Hook or Bottom Hook	42	VHH5042	Spring Washer	144	SWM16
Bottom Cross	46	VHH5046	Hexagon Nut	148	HNIM24
Side Plate for Bottom Holder	47-1	VHH50471	Spring Washer	149	SWM24
Stay Bolt B for Bottom Holder	47-6	VHH50476	Hexagon Nut	150	HBM12x20
Stay Bolt C for Bottom Holder	47-7	VHH50477	Spring Washer	151	SWM12

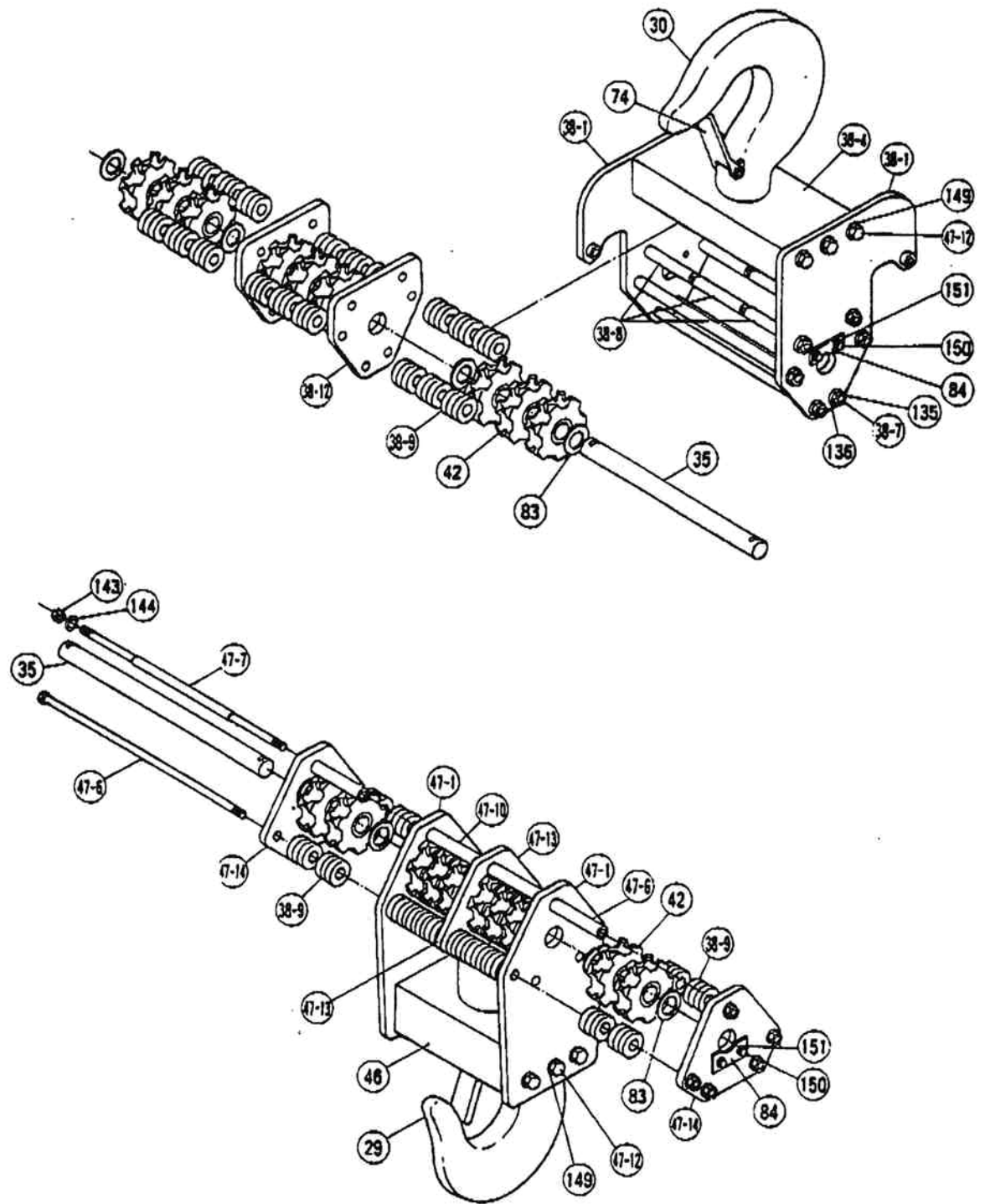
30t



30t

Description	Consist of Index No.	30 Ton Part No.	Description	Consist of Index No.	30 Ton Part No.
Bottom Hook	29	XHH50B29A	Stay Pipe A for Bttom Holder	47-9	WHH5010
Top Hook	30	XHH50T29A	Stay Pipe B for Bottom Holder	47-10	XHH5010B
Wheel Pin for Top Hook or Bottom Hook	35	WHH5070	Bolt for Top Cross or Bottom Cross	47-12	WHH504712
Side Plate for Yoke	38-1	XHH50381	Center Plate for Bottom Holder	47-13	XHH50472
Top Cross	38-4	XHH50384	Safety Latch Lever	74	XHH5074
Stay Bolt B for Yoke	38-6	WHH5009B	Link for Top Hook Wheel or Bottom Hook Wheel	83	VHH5083
Stay Bolt C for Yoke	38-7	WHH5009C	Kee Plate	84	VHH5084
Stay Pipe for Yoke	38-8	WHH5010	Hexagon Nut	135	HNIM20
Chain Guide Roller	38-9	VHH50389	Spring Washer	136	SWM20
Center Plate for Yoke	38-12	XHH50382	Hexagon Nut	143	HNIM20
Wheel Pin for Top Hook or Bottom Hook	42	VHH5042	Spring Washer	144	SWM20
Bottom Cross	46	XHH5046	Spring Washer	149	SWM24
Side Plate for Bottom Holder	47-1	XHH50471	Hexagon Nut	150	HBM12x20
Stay Bolt B for Bottom Holder	47-6	XHH5009B	Spring Washer	151	SWM12
Stay Bolt C for Bottom Holder	47-7	XHH5009C			

50t



40t-50t

Description	Consist of Index No.	40 Ton Part No.	50 Ton Part No.	Description	Consist of Index No.	40 Ton Part No.	50 Ton Part No.
Bottom Hook	29	YHH50B29A	ZHH50B29A	Stay Pipe B for Bottom Holder	47-10	YHH5010	ZHH5007B
Top Hook	30	YHH50T29A	ZHH50T29A	Bolt for Top Cross or Bottom Cross	47-12	YHH504712	YHH504712
Wheel Pin for Top Hook or Bottom Hook	35	YHH5035	ZHH5035	Center Plate for Bottom Holder	47-13	YHH50472	ZHH50472
Side Plate for Yoke	38-1	YHH50381	ZHH50381	Side Plate B for Bottom Holder	47-14	—	ZHH50471B
Top Cross	38-4	YHH50384	ZHH50384	Safety Latch Lever	74	YHH5074T	YHH5074T
Stay Bolt B for Yoke	38-6	YHH5006B	—	Link for Top Hook Wheel or Bottom Hook Wheel	83	VHH5083	VHH5083
Stay Bolt C for Yoke	38-7	YHH5006C	ZHH5006C	Kee Plate	84	VHH5084	VHH5084
Stay Pipe for Yoke	38-8	YHH5007	YHH5007	Hexagon Nut	135	HNIM20	HNIM24
Chain Guide Roller	38-9	YHH5016	YHH5016	Spring Washer	136	SWM24	SWM24
Center Plate for Yoke	38-12	YHH50382	ZHH50382	Hexagon Nut	143	HNIM24	HNIM24
Wheel for Top Hook or Bottom Hook	42	VHH5042	VHH5042	Spring Washer	144	SWM24	SWM24
Bottom Cross	46	YHH5046	ZHH5046	Spring Washer	149	SWM30	SWM30
Side Plate for Bottom Holder	47-1	YHH50471	ZHH50471A	Hexagon Nut	150	HBM12×20	HBM12×20
Stay Bolt B for Bottom Holder	47-6	YHH5009B	ZHH5009B	Spring Washer	151	SWM12	SWM12
Stay Bolt C for Bottom Holder	47-7	YHH5009C	ZHH5009C				
Stay Pipe A for Bottom Holder	47-9	YHH5007	YHH5007				

WARNING: The equipment shown in this manual is intended for industrial use only and should not be used to lift, support, or otherwise transport people or to suspend loads over people.

AVAILABLE FROM YOUR LOCAL
LITTLE MULE® HOISTS DISTRIBUTOR:

Coffing® Hoist Company
Country Club Road
P. O. Box 779
Wadesboro, North Carolina 28170 USA
Phone (800) 477-5003
(704) 694-2156
Fax (800) 374-6853
(704) 694-6829