

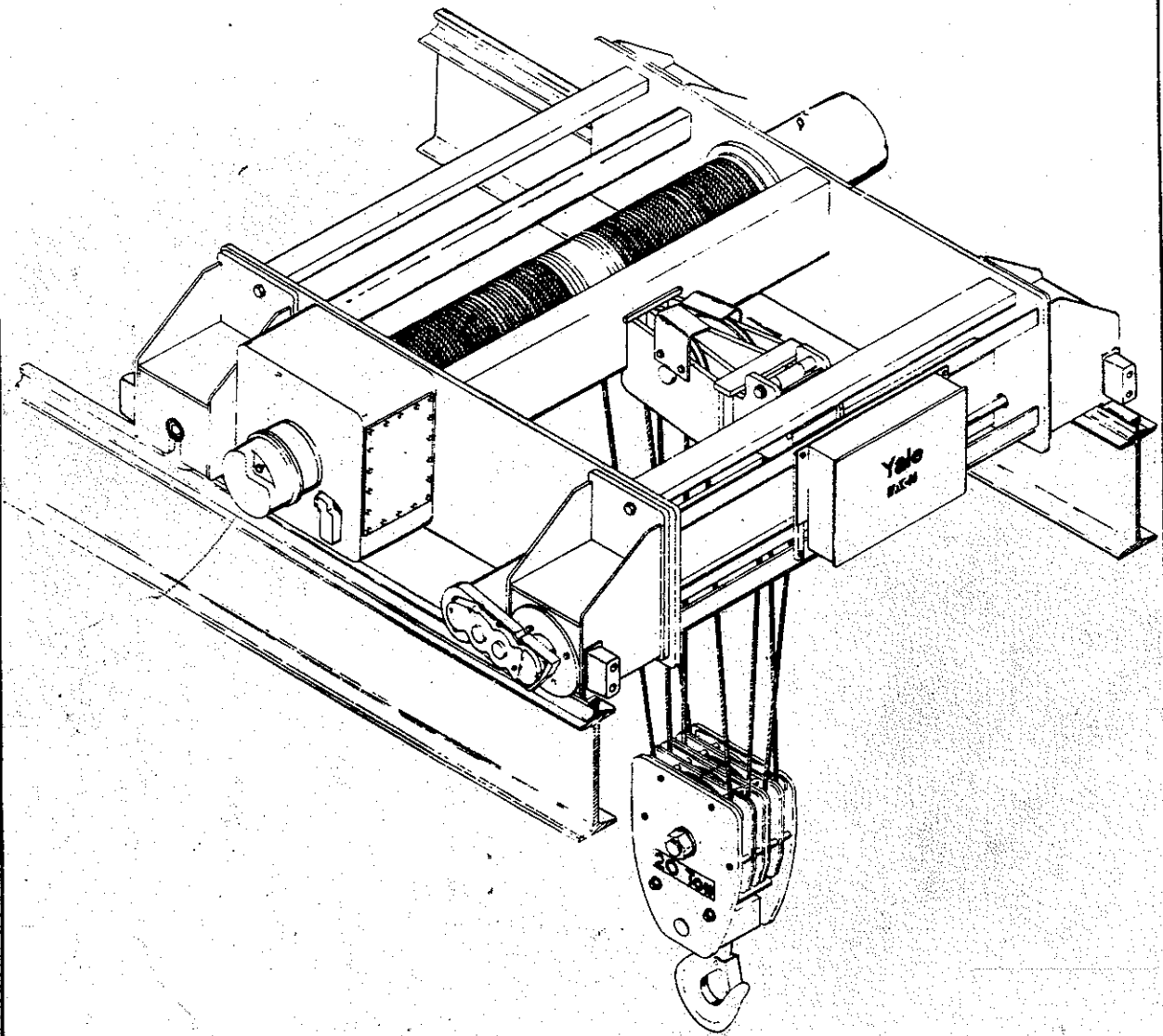
**CE Series  
Top-Running  
Trolley Hoist**

3483

**Parts And Instruction  
Manual**

**Yale®**

HOIST SERIAL NUMBER \_\_\_\_\_  
YALE ORDER NUMBER \_\_\_\_\_  
CUSTOMER ORDER NUMBER \_\_\_\_\_

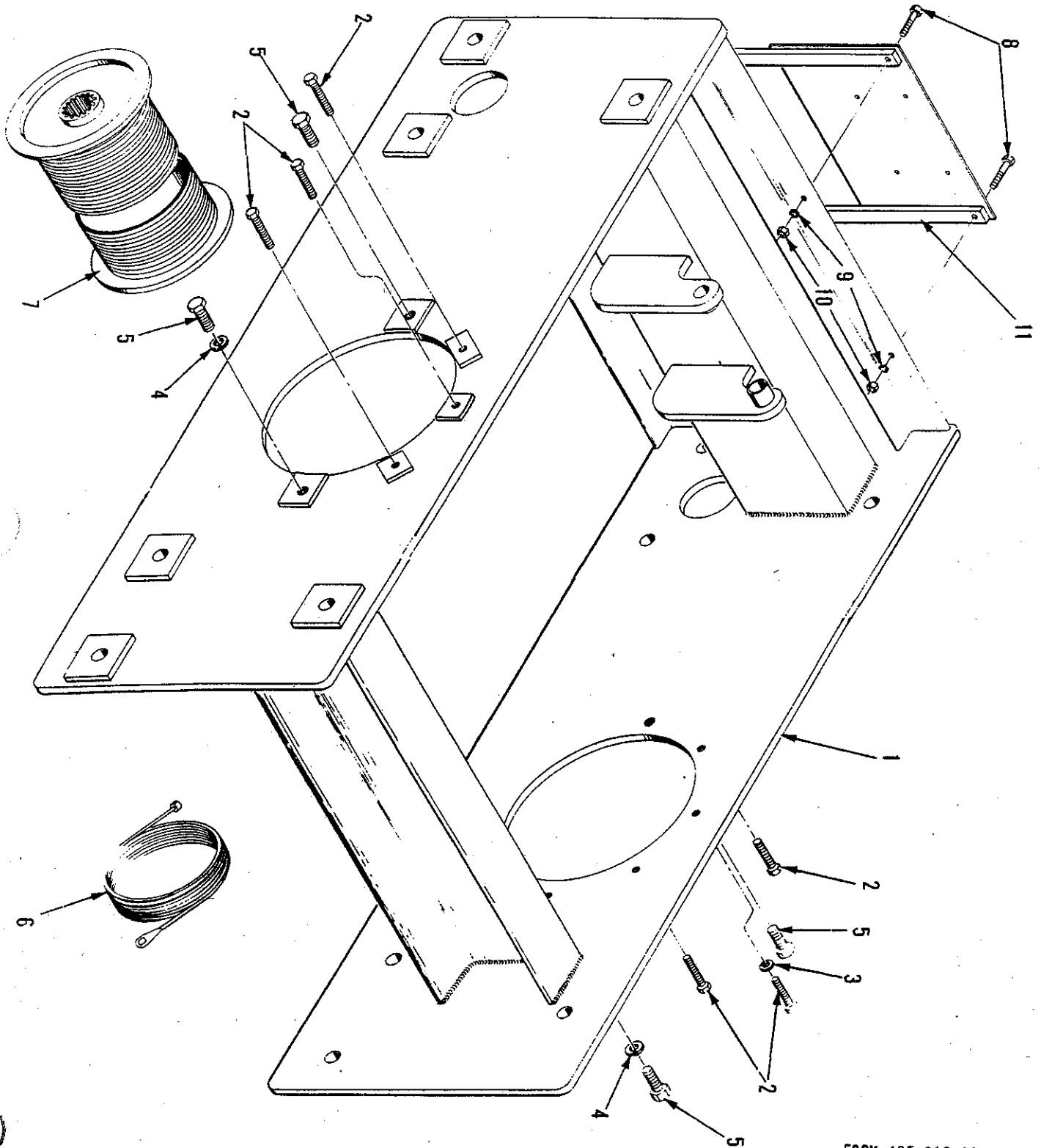




**SECTION F**  
SUSPENSION FRAME, DRUM  
AND ROPE ASSEMBLY

**CE Series**  
**Suspension Parts**

TOP RUNNING TROLLEY HOIST -D CHASSIS



FORM 165-912-037

**When Replacement Parts Are Needed, Order Only YALE® Factory Engineered Parts**

CE SERIES

FEBRUARY 1977

**SECTION F**  
 SUSPENSION FRAME, DRUM  
 AND ROPE ASSEMBLY



**C E Series**  
**Suspension Parts**

TOP RUNNING TROLLEY HOIST - D CHASSIS

ITEM NO.	PART NUMBER.	DESCRIPTION	QTY.
1	SEE TABLE	LD FRAME	1
2	0596946-00	1/2 - 13 HEX SCREW	6
3	0150266-00	LOCKWASHER 1/2	6
4	0150270-00	LOCKWASHER 3/4	4
5	0620982-00	3/4 - 10 HEX SCREW	4
6	SEE TABLE	ROPE ASM.	1
7	6414096-00	DRUM	1
8	0554851-00	1/2 - 13 HEX SCREW	4
9	0150292-00	LOCKWASHER	4
10	0149648-00	1/2 - 13 HEX NUT	4
11	6444074-00	MOUNTING BRKT.	1

TABLE

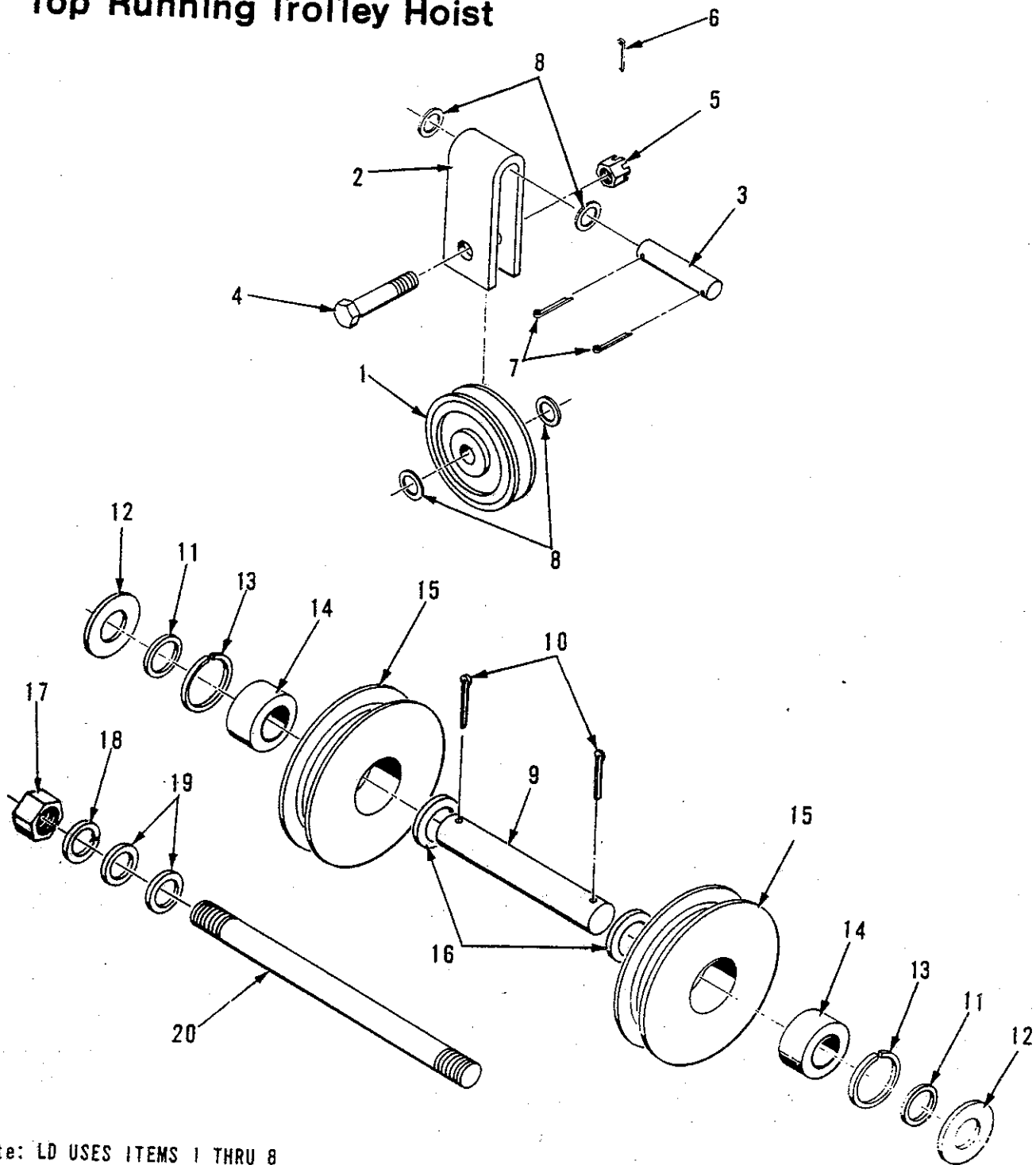
SUSPENSION FRAME	ROPE ASM.
LD-6425021-00	6411310-23
TDL-6425191-00	6411310-29
FDL-6421361-00	6411310-47

**When Replacement Parts Are Needed, Order Only Yale® Factory Engineered Parts**



**SECTION F**  
SUSPENSION FRAME, DRUM  
AND ROPE ASSEMBLY

**CE Series**  
**Suspension Parts LD, TDL & FDL**  
**Top Running Trolley Hoist**



Note: LD USES ITEMS 1 THRU 8  
TDL USES ITEMS 9 THRU 20  
FDL USES ITEMS 1 THRU 20  
SEE REVERSE SIDE FOR PARTS LISTING

YE-0400

FORM 165-912-041

**When Replacement Parts Are Needed, Order Only Yale® Factory Engineered Parts**

FEBRUARY 1977

CE SERIES

**SECTION F**  
SUSPENSION FRAME, DRUM  
AND ROPE ASSEMBLY



**C E Series**  
**Suspension Parts** LD, TDL & FDL  
**Top Running Trolley Hoist**

LD EQUALIZER SHEAVE (2 PART DOUBLE)

ITEM	PART NUMBER	DESCRIPTION	QTY.
1	0332478-00	SHEAVE	1
2	6433663-00	EQUALIZER.. YOKE	1
3	6451708-00	YOKE PIN	1
4	0109387-00	HEX BOLT	1
5	0106703-00	SLOTTED NUT	1
6	0102796-00	COTTER PIN	2
7	0102831-00	COTTER PIN	4
8	0114184-00	WASHER	

TDL IDLER SHEAVE (3 PART DOUBLE)

ITEM	PART NUMBER	DESCRIPTION	QTY.
9	6425201-00	SHEAVE SHAFT	1
10	0154274-00	COTTER PIN	2
11	0161117-00	WASHER	2
12	0114203-00	SPACER	4
13	5003439-15	RETAINING RING	2
14	0100822-00	BEARING	2
15	0616652-00	SHEAVE	2
16	6425151-01	SPACER	2
17	0149648-00	NUT	2
18	0150266-00	LOCKWASHER	4
19	0161101-00	WASHER	1
20	0101014-00	STUD	

FDL IDLER & EQUALIZER SHEAVE (4 PART DOUBLE)

**Note:** Use Part Numbers Given Above Except Add The Following Numbers For FDL Units.

ITEM	PART NUMBER	DESCRIPTION	QTY
1	0332478-00	SHEAVE	1
2	6437343-00	EQUALIZER YOKE	1
3	6437333-00	YOKE PIN	1
4	0109394-00	HEX BOLT	1
5	0629014-00	SLOTTED NUT	1

**When Replacement Parts Are Needed, Order Only Yale® Factory Engineered Parts**

**SECTION F**  
SUSPENSION FRAME, DRUM  
AND ROPE ASSEMBLY



**C E Series**  
**Suspension Parts** LD, TDL & FDL  
**Top Running Trolley Hoist**

LD EQUALIZER SHEAVE (2 PART DOUBLE)

ITEM	PART NUMBER	DESCRIPTION	QTY.
1	0332478-00	SHEAVE	1
2	6433663-00	EQUALIZER.. YOKE	1
3	6451708-00	YOKE PIN	1
4	0109387-00	HEX BOLT	1
5	0106703-00	SLOTTED NUT	1
6	0102796-00	COTTER PIN	2
7	0102831-00	COTTER PIN	4
8	0114184-00	WASHER	

TDL IDLER SHEAVE (3 PART DOUBLE)

ITEM	PART NUMBER	DESCRIPTION	QTY.
9	6425201-00	SHEAVE SHAFT	1
10	0154274-00	COTTER PIN	2
11	0161117-00	WASHER	2
12	0114203-00	SPACER	4
13	5003439-15	RETAINING RING	2
14	0100822-00	BEARING	2
15	0616652-00	SHEAVE	2
16	6425151-01	SPACER	2
17	0149648-00	NUT	2
18	0150266-00	LOCKWASHER	2
19	0161101-00	WASHER	4
20	0101014-00	STUD	1

FDL IDLER & EQUALIZER SHEAVE (4 PART DOUBLE)

**Note:** Use Part Numbers Given Above Except Add The Following Numbers For FDL Units.

ITEM	PART NUMBER	DESCRIPTION	QTY
1	0332478-00	SHEAVE	1
2	6437343-00	EQUALIZER YOKE	1
3	6437333-00	YOKE PIN	1
4	0109394-00	HEX BOLT	1
5	0629014-00	SLOTTED NUT	1

When Replacement Parts Are Needed, Order Only Yale® Factory Engineered Parts

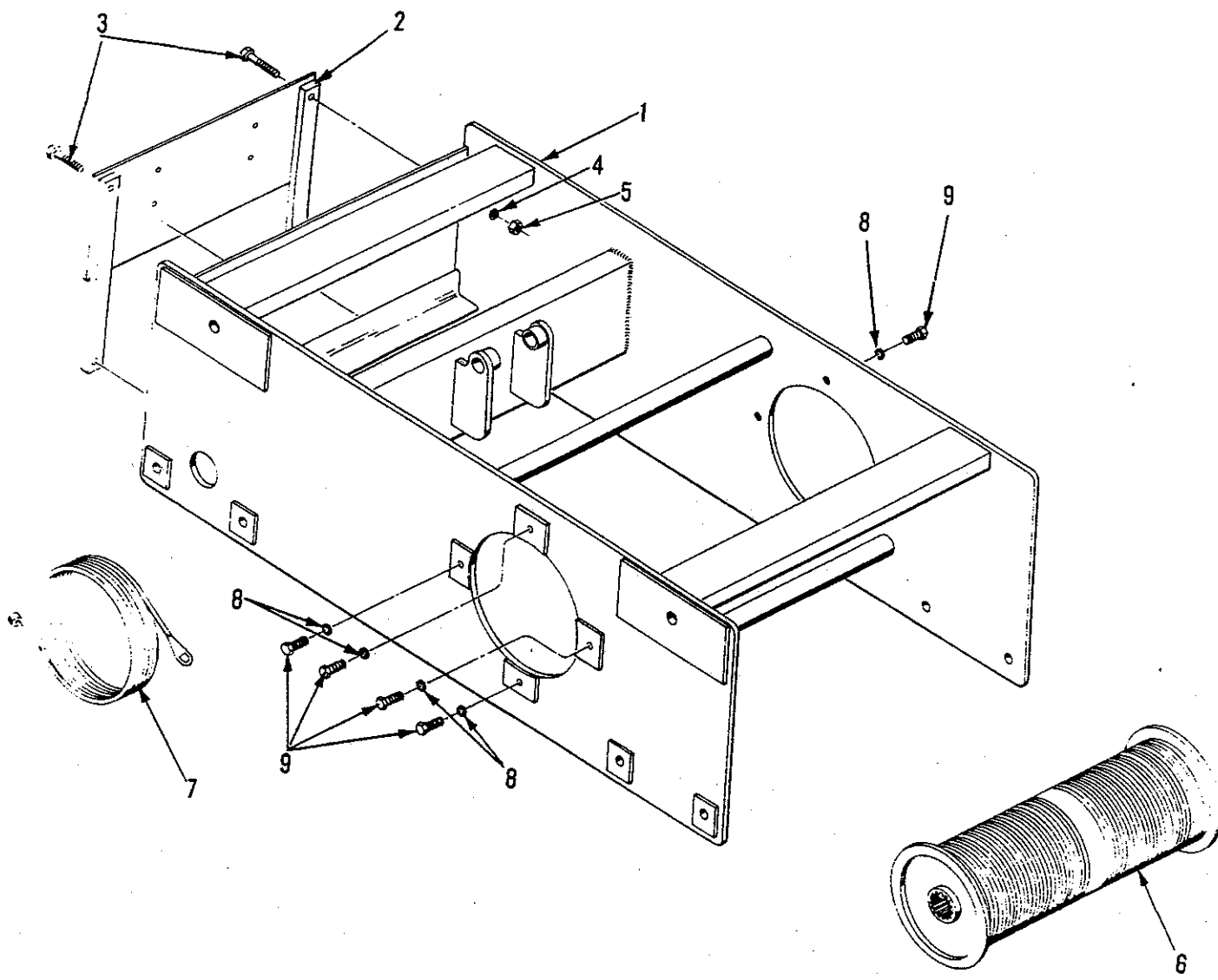




**SECTION F**  
SUSPENSION FRAME, DRUM  
AND ROPE ASSEMBLY

**CE Series**  
**Suspension Parts**

TOP RUNNING TROLLEY HOIST-E CHASSIS



**When Replacement Parts Are Needed, Order Only Yale® Factory Engineered Parts**

FEBRUARY 1977

FORM 165-912-039

CE SERIES



**SECTION F**  
**SUSPENSION FRAME, DRUM**  
**AND ROPE ASSEMBLY**



**CE Series**  
**Suspension Parts**

TOP RUNNING TROLLEY HOIST-E CHASSIS

ITEM	PART NUMBER	DESCRIPTION	QTY.
1	SEE TABLE	SUSPENSION FRAME	1
2	6444074-00	CONTROL BOX MTG. BRKT.	1
3	0554851-00	HEX SCREW	4
4	0150292-00	LOCKWASHER	4
5	0149648-00	HEX NUT	4
6	0103492-00	DRUM	1
7	SEE TABLE	ROPE ASM.	1
8	2031397-00	LOCKWASHER	8
9	0585222-00	HEX SCREW	8

TABLE

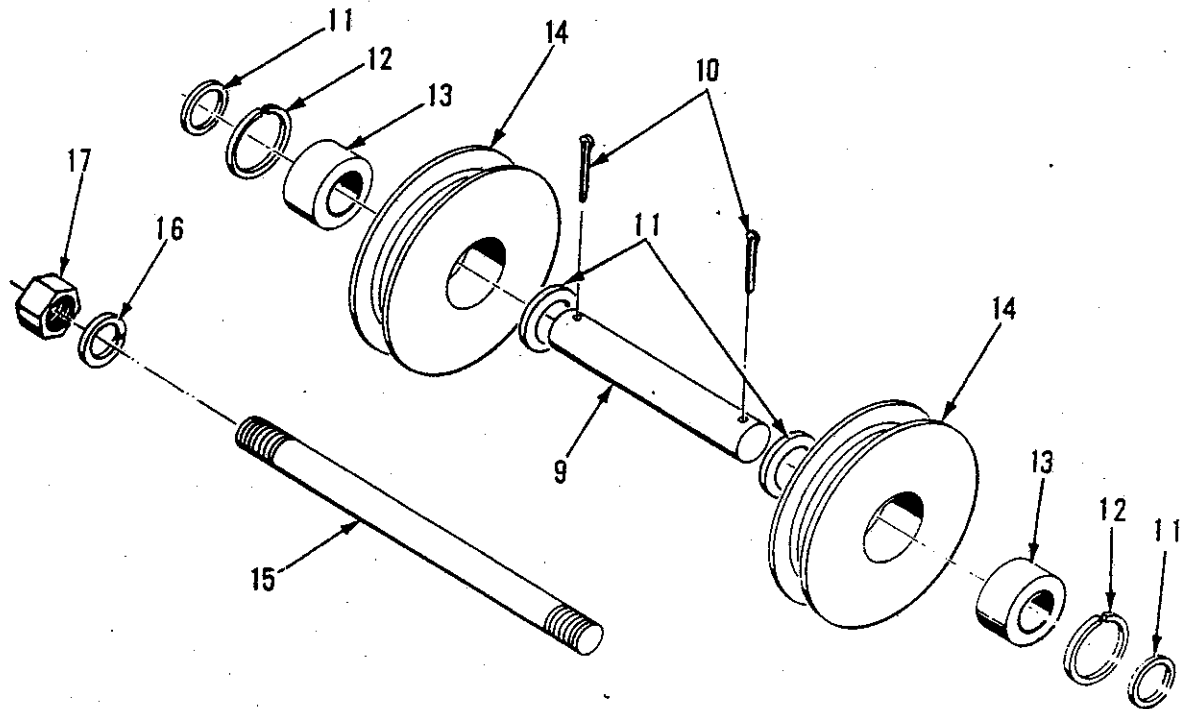
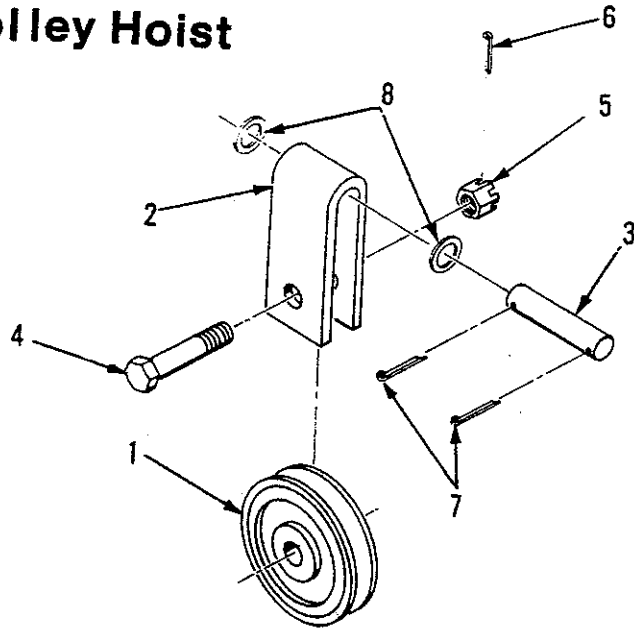
SUSPENSION FRAME	ROPE ASSEMBLY
LE - 6427731-00	LE - 5019470-03
TEL - 6427741-00	TEL - 5019460-14
FEL - 6427751-00	FEL - 5019460-16

**When Replacement Parts Are Needed, Order Only Yale® Factory Engineered Parts**



**SECTION F**  
SUSPENSION FRAME, DRUM  
AND ROPE ASSEMBLY

**CE Series**  
**Suspension Parts**  
**Top Running Trolley Hoist**  
LE, TEL AND FEL



**Note:** LE USES ITEMS 1 THRU 8  
TEL USES ITEMS 9 THRU 17  
FEL USED ITEMS 1 THRU 17  
SEE REVERSE SIDE FOR PARTS LISTING

FORM 165-912-042  
YE-0400

**When Replacement Parts Are Needed, Order Only Yale® Factory Engineered Parts**

FEBRUARY 1977

CE SERIES

**SECTION F**SUSPENSION FRAME, DRUM  
AND ROPE ASSEMBLY**CE Series****Suspension Parts** LE, TEL AND FELLE

ITEM	PART NUMBER	DESCRIPTION	QTY.
1	0109934-00	SHEAVE	1
2	0103675-00	YOKE	1
3	0644814-00	SUSPENSION PIN	1
4	0109414-00	BOLT	1
5	0106719-00	SLOTTED HEX NUT	1
6	0154217-00	COTTER PIN	1
7	0154272-00	COTTER PIN	2
8	0161117-00	WASHER	4

TEL

ITEM	PART NUMBER	DESCRIPTION	QTY.
9	6425201-00	SHEAVE SHAFT	1
10	0154274-00	COTTER PIN	2
11	6427921-01	SPACER	4
12	5003439-15	RETAINING RING	2
13	0100822-00	BEARING	2
14	0109913-00	SHEAVE	2
15	0101014-00	DOUBLE END STUD	1
16	0150266-00	LOCKWASHER	2
17	0149648-00	HEX NUT	2

**Note:** USE ALL PART NUMBERS GIVEN ABOVE FOR "FEL" IDLER AND  
EQUALIZER SHEAVE (4 PART DOUBLE)

**When Replacement Parts Are Needed, Order Only Yale® Factory Engineered Parts**

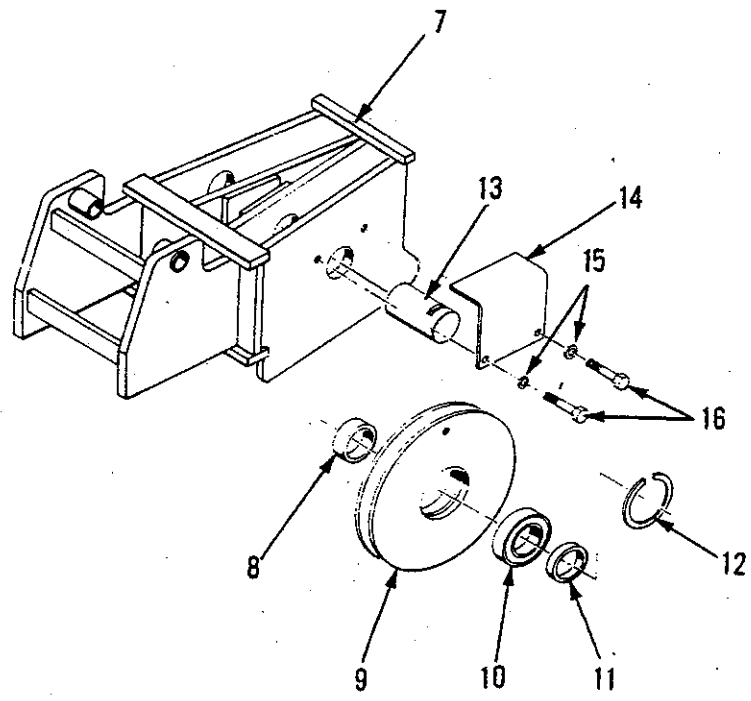
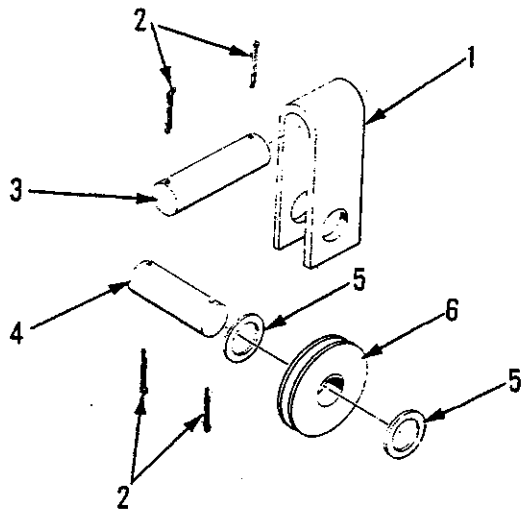
CE SERIES

FEBRUARY 1977



**SECTION F**  
SUSPENSION FRAME, DRUM  
AND ROPE ASSEMBLY

**FEW Series, Suspension Parts**  
**Top Running Trolley Hoist**  
**Top Sheave Assembly**



FORM 165-912-035

**When Replacement Parts Are Needed, Order Only Yale® Factory Engineered Parts**

FEBRUARY 1977

FEW SERIES

**SECTION F**  
**SUSPENSION FRAME, DRUM**  
**AND ROPE ASSEMBLY**



**FEW Series, Suspension Parts**  
**Top Running Trolley Hoist**  
**Top Sheave Assembly**

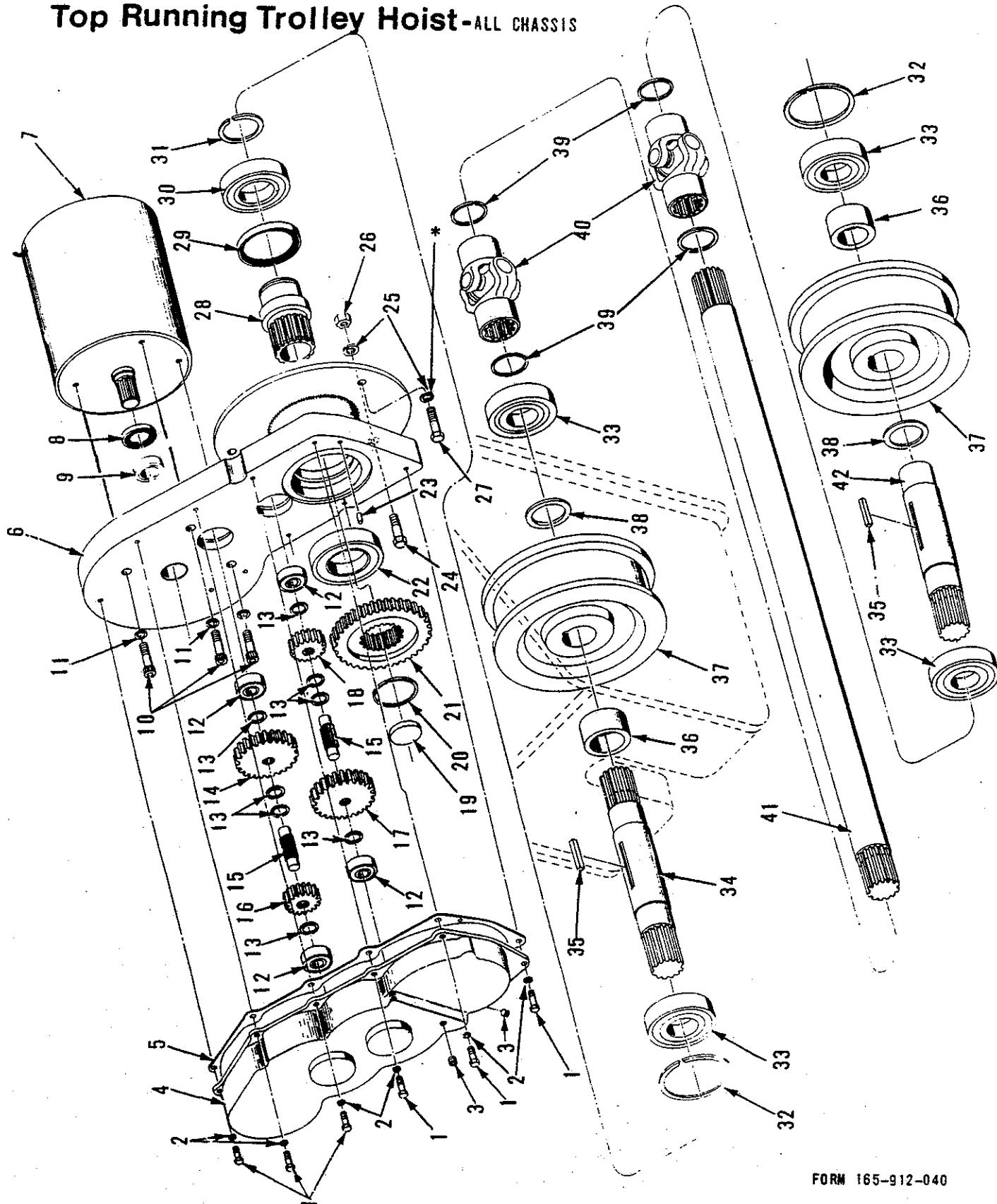
F CHASSIS			
ITEM	PART NUMBER	DESCRIPTION	QTY.
1	6442194-00	SHEAVE YOKE	1
2	0154236-00	COTTER PIN	4
3	6433923-00	SHAFT	1
4	6433913-00	SHEAVE SHAFT	1
5	0664817-00	WASHER	2
6	6442204-00	SHEAVE	1
7	6423611-00	SHEAVE MOUNTING BRKT.	1
8	6433793-04	SPACER	2
9	6423126-00	SHEAVE	2
10	6401629-01	BEARING	2
11	6433793-02	SPACER	2
12	6401619-01	RETAINING RING	2
13	6423711-00	SHEAVE SHAFT	2
14	6423621-00	RETAINING PLATE	2
15	0150292-00	LOCKWASHER	4
16	0554850-00	HEX SCREW	4

**When Replacement Parts Are Needed, Order Only Yale® Factory Engineered Parts**

**FEW-CE Series  
Drive Unit  
Top Running Trolley Hoist-ALL CHASSIS**



**SECTION O  
TROLLEYS**



FORM 165-912-040

**When Replacement Parts Are Needed, Order Only Yale® Factory Engineered Parts**

FEBRUARY 1977

FEW-CE SERIES

# SECTION O

TROLLEYS



## FEW-CE Series Drive Unit

### Top Running Trolley Hoist -ALL CHASSIS

ITEM	DESCRIPTION	D CHASSIS	E CHASSIS	F CHASSIS	QTY.
1	HEX SCREW	0655732-00	0655732-00	0655732-00	9
2	LOCKWASHER	0150319-00	0150319-00	0150319-00	9
3	PLUG	0230802-00	0230802-00	0230802-00	2
4	GEARCASE HOUSING	6421621-00	6423501-00	6423501-00	1
5	GASKET	6436336-00	6436406-00	6436406-00	1
6	SIDEPLATE	6421371-00	6423701-00	6423701-00	1
7	TROLLEY MOTOR	6432991-06	6423531-06	6423531-06	1
8	SEAL	6435021-00	6435021-00	6435021-00	1
9	BEARING	0151193-00	0151193-00	0151193-00	1
10	1/2-13 SKT HD. CAP SCREW	N/A	0561549-00	0561549-00	3
11	SEALING WASHER	N/A	6452138-00	6452138-00	3
12	BEARING	6433178-00	0151246-00	0151246-00	4
13	SPACER	6419381-00	6419381-00	6419381-00	8
14	HIGH SPEED GEAR	6421811-00	6423381-00	6423381-00	1
15	SHAFT	6441693-00	6419371-00	6419371-00	2
16	GEAR	6431446-02	6431456-02	6431456-02	1
17	GEAR	6431446-01	6431456-01	6431456-01	1
18	GEAR	6431446-03	6431456-03	6431456-03	1
19	FREEZE PLUG	6421731-00	6423431-00	6423431-00	1
20	RETAINING RING	0159173-00	0575267-00	0575267-00	1
21	OUTPUT GEAR	6421801-00	6423391-00	6423391-00	1
22	BEARING	0151197-00	0164932-00	0164932-00	1
23	DOWEL PIN	0238068-00	0238068-00	0238068-00	2
24	DOWEL BOLT	6421781-00	6423511-00	6423511-00	1
25	LOCKWASHER	0150266-00	0150266-00	0150266-00	3*
26	NEX NUT	0149399-00	0149402-00	0149402-00	1
27	HEX SCREW	0554850-00	0637700-00	0637700-00	2
28	OUTPUT SHAFT	6421721-00	6432421-00	6432421-00	1
29	SEAL	0116138-00	0116154-00	0116154-00	1
30	BEARING	0151275-00	6423401-00	6423401-00	1
31	RETAINING RING	5019899-09	6423411-00	6423411-00	1
32	RETAINING RING	5019899-09	6423451-00	6423451-00	2
33	BEARING	6421761-00	6423461-00	6423461-00	4
34	INPUT AXLE	6421681-00	6423441-00	6423441-00	1
35	SQUARE KEY	5017199-01	5017199-00	5017199-00	2
36	LONG SPACER	6421741-01	6423471-01	6423471-01	2
37	WHEEL	6423631-00	6423641-00	6423641-00	2
38	SHORT SPACER	6421751-01	6423481-01	6423481-01	2
39	RETAINING RING	0159163-00	0159163-00	0159163-00	4
40	UNIVERSAL JOINT	6421611-00	6421611-00	6421611-00	2
41	CROSS SHAFT	6421701-01	6421701-04	6421701-03	1
42	IDLER AXLE	6421691-00	6423561-00	6423561-00	1

\*E & F CHASSIS WILL USE (3) 0150266-00 LOCKWASHER AND (1)

ADDITIONAL LOCKWASHER 0150268-00 IN THIS LOCATION ONLY.

**When Replacement Parts Are Needed, Order Only Yale® Factory Engineered Parts**

## SECTION 0

TROLLEYS



## FEW-CE Series

## Drive Unit

## Top Running Trolley Hoist -ALL CHASSIS

ITEM	DESCRIPTION
1	HEX SCREW
2	LOCKWASHER
3	PLUG
4	GEARCASE HOUSING
5	GASKET
6	SIDEPLATE
7	TROLLEY MOTOR
8	SEAL
9	BEARING
10	1/2-13 SKT HD. CAP SCREW
11	SEALING WASHER
12	BEARING
13	SPACER
14	HIGH SPEED GEAR
15	SHAFT
16	GEAR
17	GEAR
18	GEAR
19	FREEZE PLUG
20	RETAINING RING
21	OUTPUT GEAR
22	BEARING
23	DOWEL PIN
24	DOWEL BOLT
25	LOCKWASHER
26	NEX NUT
27	HEX SCREW
28	OUTPUT SHAFT
29	SEAL
30	BEARING
31	RETAINING RING
32	RETAINING RING
33	BEARING
34	INPUT AXLE
35	SQUARE KEY
36	LONG SPACER
37	WHEEL
38	SHORT SPACER
39	RETAINING RING
40	UNIVERSAL JOINT
41	CROSS SHAFT
42	IDLER AXLE

CHASSIS WILL USE (1) LOCKWASHER AND (1)

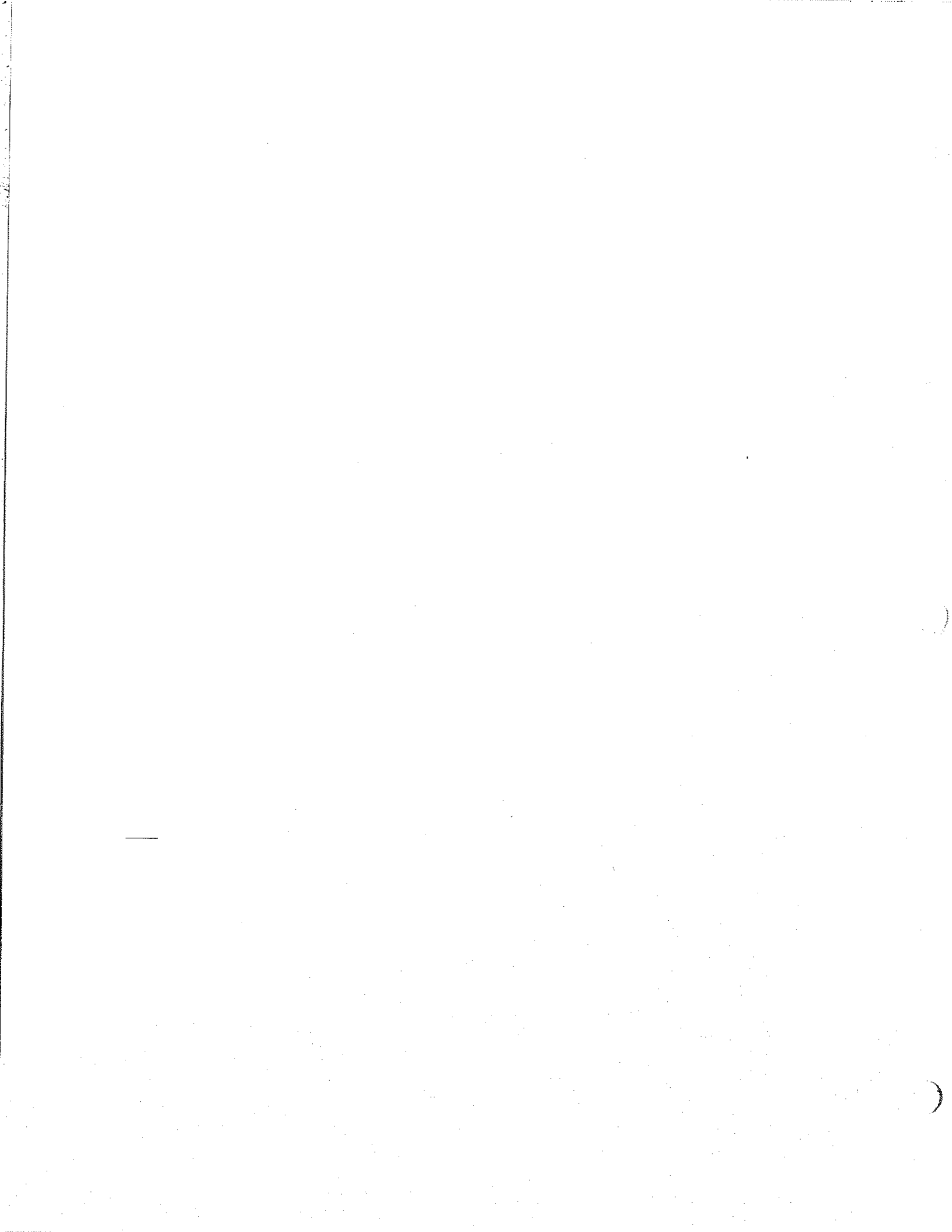
ADDITIONAL LOCKWASHER TO BE USED IN THIS LOCATION ONLY.

When Replacement Parts Are

Ordered Order Only Yale® Factory Engineered Parts

FEBRUARY 1977.

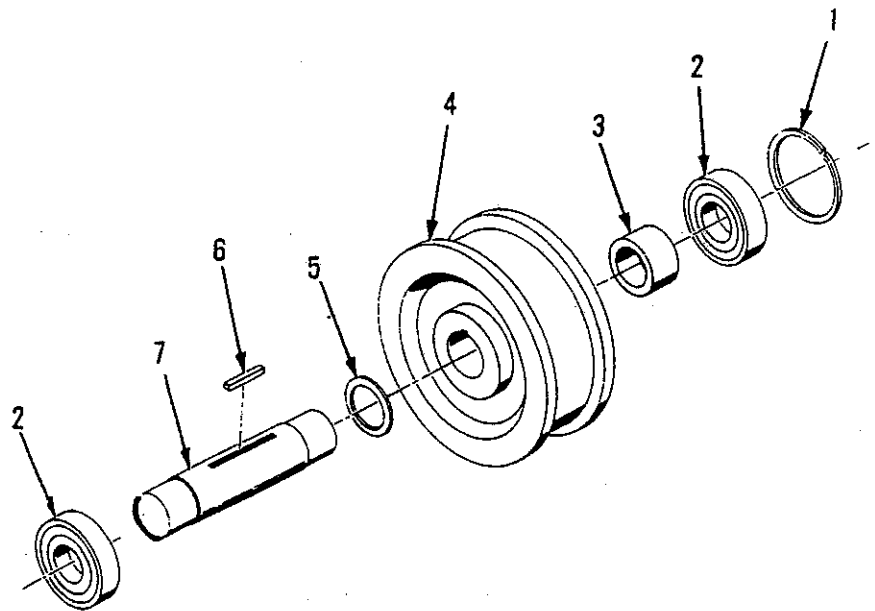






**SECTION O**  
TROLLEYS

**FEW - CE Series**  
**Top Running Trolley Hoist**  
**Trailer Trolley - ALL CAPACITIES**



(SEE TABLES ON BACK OF PAGE)

**Note:** ALL TOP RUNNING TROLLEY HOISTS CONTAIN TWO TRAILER TROLLEYS.

FORM 165-912-034

**When Replacement Parts Are Needed, Order Only Yale® Factory Engineered Parts**

FEBRUARY 1977

CE SERIES

**SECTION O**  
TROLLEYS



**FEW - CE Series**  
**Top Running Trolley Hoist**  
**Trailer Trolley**

ITEM #	PART NUMBER		DESCRIPTION	QTY.
	D Chassis	E & F Chassis		
1	5019899-09	6423451-00	RETAINING RING	1
2	6421761-00	6423461-00	BEARING	2
3	6421741-01	6423471-01	LONG SPACER	1
4	6423631-00	6423641-00	WHEEL	1
5	6421751-01	6423481-01	SHORT SPACER	1
6	5017199-01	5017199-01	SQUARE KEY	1
7	6421671-00	6423571-00	AXLE	1

**When Replacement Parts Are Needed, Order Only Yale® Factory Engineered Parts**

CE SERIES