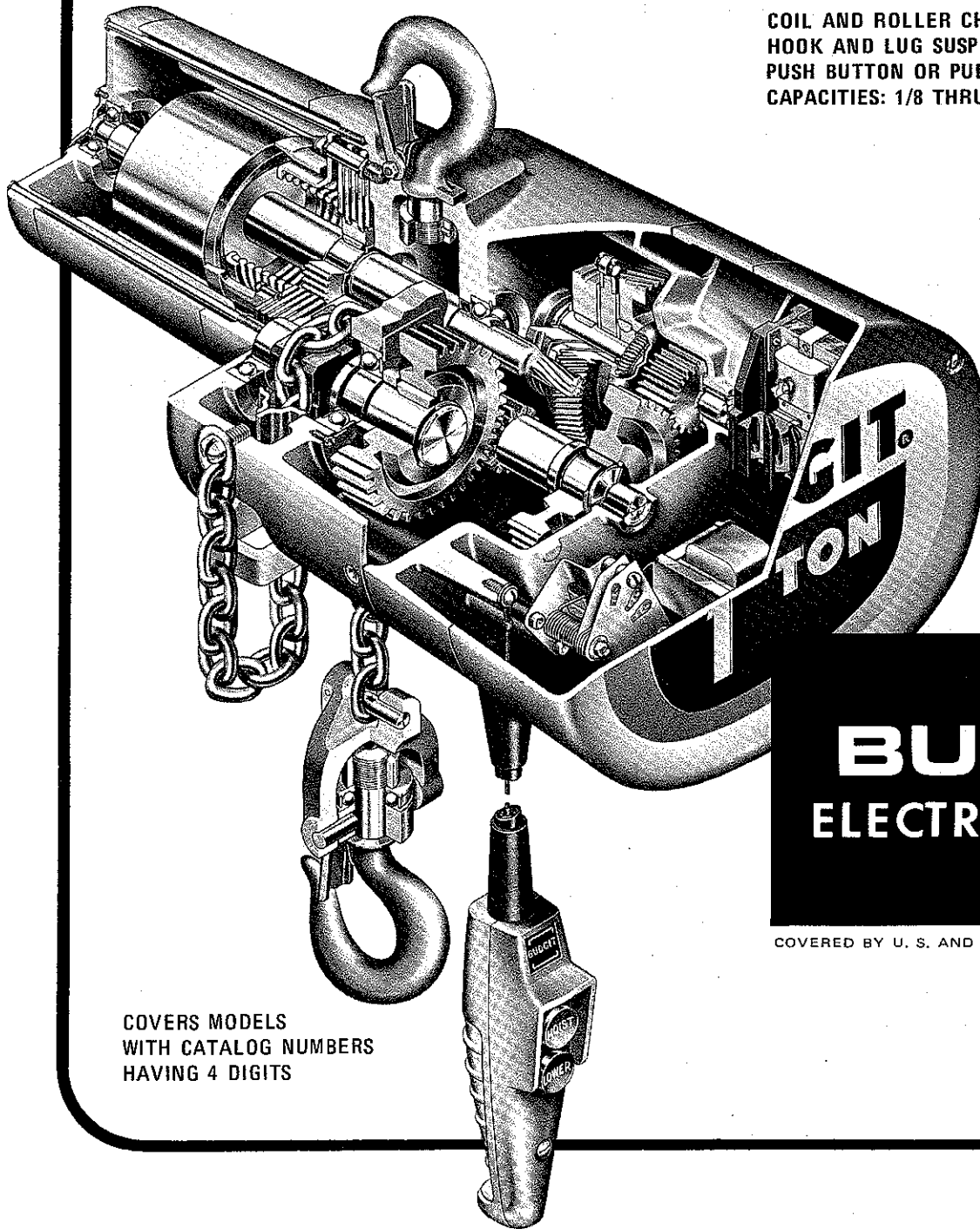


REPLACEMENT PARTS MANUAL

COIL AND ROLLER CHAIN
HOOK AND LUG SUSPENSIONS
PUSH BUTTON OR PULL CORD CONTROL
CAPACITIES: 1/8 THRU 3 TONS



BUDGIT®
ELECTRIC HOISTS

COVERED BY U. S. AND FOREIGN PATENTS PENDING

COVERS MODELS
WITH CATALOG NUMBERS
HAVING 4 DIGITS

DRESSER

DRESSER CRANE, HOIST & TOWER DIVISION

DRESSER INDUSTRIES, INC.

MUSKEGON, MICHIGAN 49443

FOREWORD

This book contains complete replacement parts information for your new BUDGIT Electric Hoist. The parts are grouped and illustrated in exploded view photos to permit easy identification. Each part in an illustration is keyed by reference number to a corresponding parts table. In the table will be found the BH part number, description and quantity required.

This manual also contains parts information pertaining to 'Extra Heavy Duty' hoists (suitable and equipped for plating hoist service). Figures and parts lists indicate parts applicable to 'Extra Heavy Duty' Models. These models are identified by a number suffix (-4, -5) after the hoist catalog number, stamped on the nameplate located on motor. Dash 4 indicates hook suspension, Dash 5 indicates lug suspension.

When ordering replacement parts it will be necessary that you include, with your order, the BH part number of parts required, plus, hoist catalog number and model number, which will be found on the hoist nameplate attached to motor.

It will likely be a long time before this parts information is required, therefore, we suggest that this parts book be care-

fully filed, for future reference, along with the separate "Operation and Service" manual which is also furnished with the hoist.

Complete inspection, maintenance and overhaul service is available for BUDGIT Electric Hoists at any of the Authorized Repair Stations listed on the back cover. All are staffed by qualified factory-trained service men; have authorized testing equipment; and stock a complete inventory of genuine BUDGIT replacement parts.

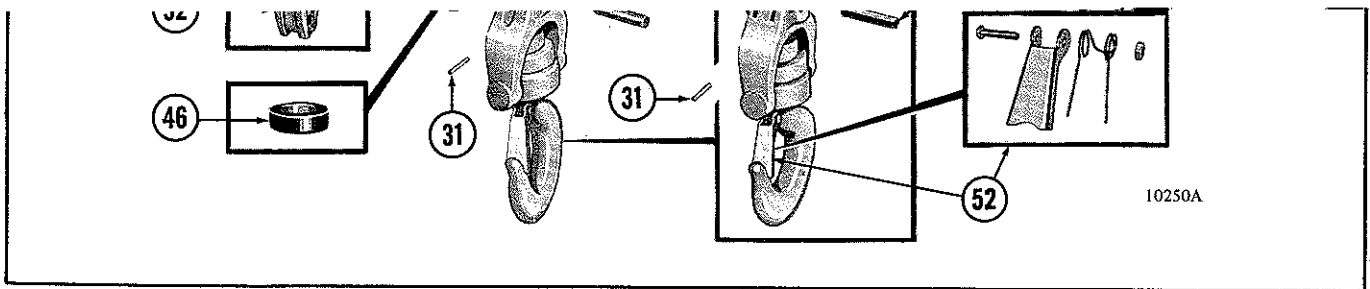
NOTICE: Information contained in this book is subject to change without notice.

WARNING

EQUIPMENT COVERED HEREIN IS NOT DESIGNED OR SUITABLE AS A POWER SOURCE FOR LIFTING OR LOWERING PERSONS.

INDEX OF EXPLODED VIEW PARTS ILLUSTRATIONS

Figure No.	Title	Page
1.	Frame and External Parts	3
2.	Upper Suspension, Load Chain and Lower Block Parts (2 Ton Capacity Hoists)	6
3.	Upper Suspension, Load Chain and Lower Block Parts (3 Ton Capacity Hoists)	6
4.	Gearing and Load Brake Parts (1/8, 1/4 & 1/2 Ton Capacity Hoists)	7
5.	Gearing and Load Brake Parts (1, 2 & 3 Ton Capacity Hoists)	8
6.	Manual Motor Brake and Electrical Control Parts (Pull Cord Model Hoists)	10
7.	Magnetic Motor Brake Parts (3 Phase, Push Button Model and Extra Heavy Duty Hoists)	11
8.	Magnetic Motor Brake Parts (1 Phase, Push Button Model Hoists—Prior Model No. 325919-1)	12
9.	Magnetic Motor Brake Parts (1 Phase, Push Button Model Hoists Model No. 325919-1 and up)	13
10.	Electrical Control Units (Push Button Model Hoists)	14
11.	Limit Lever and Switch Parts (Push Button Model Hoists)	15
12.	Push Button Station and Conductor Cable Assembly (Standard Models)	16
13.	Push Button Station and Conductor Cable Assembly (Extra Heavy Duty Models)	16
14.	Controller Assembly (Pull Cord Model Hoists)	17
15.	Contacter Assembly (Push Button Model Hoists)	18
16.	2 and 3 Ton Lower Block Assembly (Coil Chain Models Hoists)	20
17.	2 Ton Lower Block Assembly (Roller Chain Models Hoists)	21
18.	Single Phase Motor Assemblies	22
19.	Three Phase Motor Assemblies (Standard Push Button and Pull Cord Model Hoists)	24
20.	Three Phase Motor Assemblies (Extra Heavy Duty Model Hoists)	25
21.	Replacement Motor Chart (Extra Heavy Duty Model Hoists)	25
22.	Replacement Motor Chart (Standard Model Hoists)	26



* Used on Models prior to 325079-1; For Replacement see Ref. No. 47
 Figure 1. FRAME AND EXTERNAL PARTS — EXPLODED VIEW
 Standard & Extra Heavy Duty Hoists (See Pg. 2, Para. 2)
 (Except 2 & 3 Ton Model Upper Suspension, Load Chain & Lower Block)

Ref. No.	Part Number	Description	Qty. Req'd.
1	BH-1001	Hook Assembly — Upper with Latch (Includes Items 21, 22, 23 & 51)	1*
2	BH-1002	Pin — Stop, upper hook	1
3	BH-1003	Frame Assembly (For Hoists with Cat. No. prefix letters A, C, E, F, G, H & J. Includes 2 bushings, 1 needle bearing, 1 oil seal, 1 oil filler, 2 pipe plugs, and 2 dowel pins.)	1
	BH-1004	Frame Assembly (For Hoists with Cat. No. prefix letters D, K, L, P, M, S, & T. Includes 2 bushings, 2 needle bearings, 1 oil seal, 1 oil filler, 2 pipe plugs, and 2 dowel pins.)	1
	BH-1081	Frame Assembly (For Extra Heavy Duty with suffix -4, -5). Includes sealed frame, 2 bushings, 1 needle bearing, 2 oil seals, 1 oil filler, 2 pipe plugs, and 2 dowel pins.	1
4	BH-1005	Pin — Support, chain guide	3
5	BH-1006	Gasket — "O" Ring	3
6	BH-1007	Gasket — Gearcase	1

(Continued on following page.)

Figure 1. FRAME AND EXTERNAL PARTS – Continued

Ref. No.	Part Number	Description	Qty. Req'd.
7	BH-1008	Cover Assembly – Gearcase (For Hoists with Cat. No. prefix letters A, C, E, F, G, H & J. Includes 1 needle bearing, 1 cup and 2 groove pins).	1
	BH-1009	Cover Assembly – Gearcase (For Hoists with Cat. No. prefix letters D, K, L, P, M, S & T. Includes 2 needle bearings and 2 groove pins).	1
	BH-1082	Cover Assembly – Gearcase (For Extra Heavy Duty Hoists with suffix (-4, -5). Sealed and includes 1 needle bearing assembly and 2 groove pins.	1
8		Cable Assembly – Flexible, 5' (Incl. Items 9 & 10)	
	BH-1010	(115 volt, 1 phase, 60 hertz hoists)	1
	BH-1011	(230 volt, 1 phase, 60 hertz hoists)	1
	BH-1012	(208/230/460/575 volt, 3 phase, 60 hertz hoists)	1
9	BH-1013	Grommet – Flexible Cable	1
10	BH-1014	Clamp – Flexible Cable	1
11		Cover – Electrical Compartment	
	BH-1015	(1/8 ton)	1
	BH-1016	(1/4 ton)	1
	BH-1017	(1/2 ton)	1
	BH-1018	(1 ton)	1
	BH-1019	(2 ton)	1
	BH-1085	(3 ton)	1
12	BH-1020	Screw – Fillister Head Machine	3
13	BH-1021	Lockwasher – Spring Type	3
14	BH-1022	Ring – Retaining	3
15	BH-1023	Lockwasher – Spring Type	8
16	BH-1024	Screw – Hex Socket Head	8
17	BH-1025	Pin – Groove	2
18	BH-1026	Grommet (Pull Cord and Motor Driven Trolley Models)	1
19	BH-1027	Pin – Dowel, gearcase cover	2
20	BH-1028	Plug – Pipe, hex socket, 1/8"	2
21	BH-1029	Washer – Thrust, upper hook	1
22	BH-1030	Pin – Drive	1
23	**	Nut – Upper Hook	1
24		Guide Assembly – Coil Load Chain	
	BH-1031	(1/8, 1/4 & 1/2 ton Capacity Hoists)	1
	BH-1032	(1, 2 & 3 ton Capacity Hoists)	1
25	***	Chain Assembly – Coil, load	
	BH-1033	(1/4" Dia. – 1/8, 1/4 & 1/2 ton Capacity Hoists)	1
	BH-1034	(5/16" Dia. – 1 ton Capacity Hoists)	1*
	BH-1080	(1/4" Dia. – 1/4 & 1/2 ton Extra Heavy Duty Hoists – Cad. Plate)	1
	BH-1086	(5/16" Dia. – 1 ton Extra Heavy Duty Hoist – Cad. Plate)	1
26		Block Assembly – Lower, coil chain (Incl. Items 27, 31 & 52)	
	BH-1035	(1/8, 1/4 & 1/2 ton Capacity Hoists)	1
	BH-1036	(1 ton Capacity Hoists)	1*
27		Pin – Lower Block, coil chain	
	BH-1037	(1/8, 1/4 & 1/2 ton Capacity Hoists)	1
	BH-1038	(1 ton Capacity Hoists)	1*
28	***	Chain Assembly – Roller, load	
	BH-1039	(5/8" Pitch – 1/8, 1/4 & 1/2 ton Capacity Hoists)	1
	BH-1040	(3/4" Pitch – 1 ton Capacity Hoists)	1*
	BH-1075	Repair Link – 5/8" Pitch Roller Chain (Not Shown)	As Req'd.
	BH-1076	Repair Link – 3/4" Pitch Roller Chain (Not Shown)	As Req'd.
29		Block Assembly – Lower, roller chain (Incl. Items 30, 31 & 52)	
	BH-1041	(1/8, 1/4 & 1/2 ton Capacity Hoists)	1
	BH-1042	(1 ton Capacity Hoists)	1*
30		Pin – Lower Block, roller chain	
	BH-1043	(1/8, 1/4 & 1/2 ton Capacity Hoists)	1
	BH-1044	(1 ton Capacity Hoists)	1
31	BH-1045	Pin – Roll	1
32		Stripper – Roller Chain	
	BH-1046	(1/8, 1/4 & 1/2 ton Capacity Hoists)	1
	BH-1047	(1 & 2 ton Capacity Hoists)	1
33		Guide Assembly – Roller Chain	
	BH-1048	(1/8, 1/4 & 1/2 ton Capacity Hoists)	1
	BH-1049	(1 & 2 ton Capacity Hoists)	1

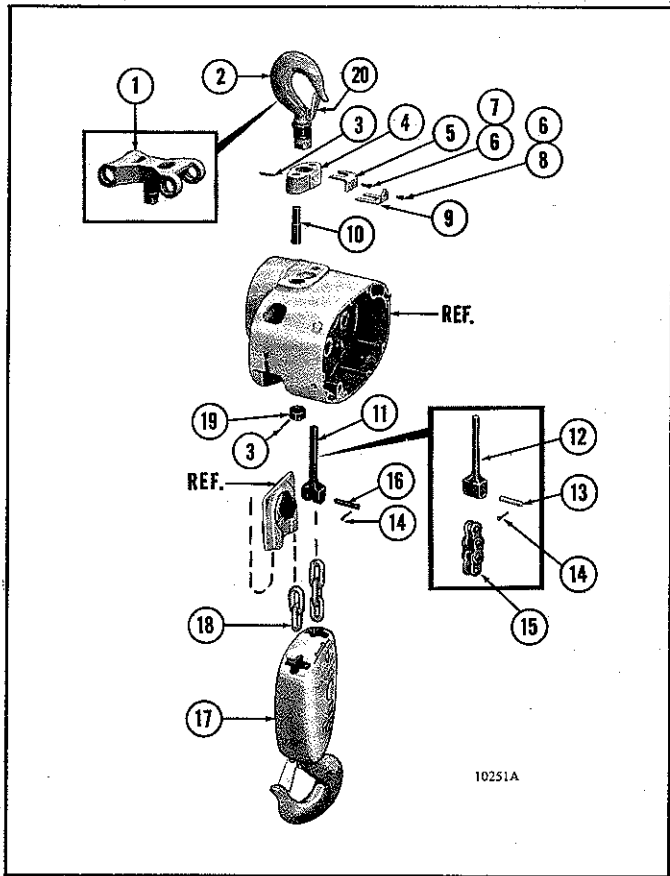


Figure 2. UPPER SUSPENSION, LOAD CHAIN AND LOWER BLOCK PARTS - EXPLODED VIEW (2 Ton Capacity Hoists)

Ref. No.	Part Number	Description	Qty. Req'd.
1	BH-1101	Bracket Assembly - Lug Suspension (Coil Chain Model Only)	1
2	BH-1102	Hook Assembly - Upper (Includes Items 5, 6, 7, & 20)	1
3	BH-1103	Pin - Drive	3
4	BH-1104	Block Assembly - Upper (Coil Chain Models, Includes Items 3, 10, 11, 14, 16, 19 & 21)	1
	BH-1105	(Roller Chain Models, Includes Items 3, 10, 12, 13, 14, 19 & 21)	1
5	BH-1106	Lock Assembly - Suspension Bushing	1
6	BH-1107	Lockwasher - Shakeproof, Internal	3
7	BH-1108	Screw - Hex Socket Head	2
8	BH-1109	Screw - Hex Socket Head	1
9	BH-1061	Plate - Lock (Coil Chain Lug Suspension Models Only)	1
10	*	Stud - Upper Block	1
11	*	Anchor - Coil Load Chain	1
12	*	Anchor - Roller Load Chain	1
13	BH-1110	Pin - Roller Chain Anchor	1
14	BH-1111	Pin - Cotter	1
15**	BH-1112	Chain Assembly - Roller Load (3/4" Pitch)	1
	BH-1076	Repair Link - 3/4" Pitch Roller Chain (Not Shown)	As Req'd.
16	BH-1113	Pin - Coil Chain Anchor	1
17	(See Fig. 13)	Block Assembly - Lower (Coil Chain Models)	1
	(See Fig. 14)	Block Assembly - Lower (Roller Chain Models)	1
18**	BH-1114	Chain Assembly - Coil Load	1
	BH-1115	Chain Assembly - Coil Load (Cad. Plated) Extra Heavy Duty Hoists	1
19	*	Nut - Upper Block Stud	1
20	BH-2213	Latch Kit - Hook	1
	BH-1029	Washer - Thrust (Not illustrated - use with Ref. No. 19)	1

* Not available as individual parts. Order upper block assembly, Item 4.

** Load Chain Assemblies listed are for hoists with standard 10 ft. lifts. Bulk chain is available in 1 ft. increments and 50 ft. lengths as follows:

Type Chain	50' Lengths	Bulk
Roller (3/4" Pitch)	BH-1067	BH-1068
Coil (5/16" Dia.)	Not Available	BH-1069
Coil (5/16" Dia. cad. plate)	Not Available	BH-1093

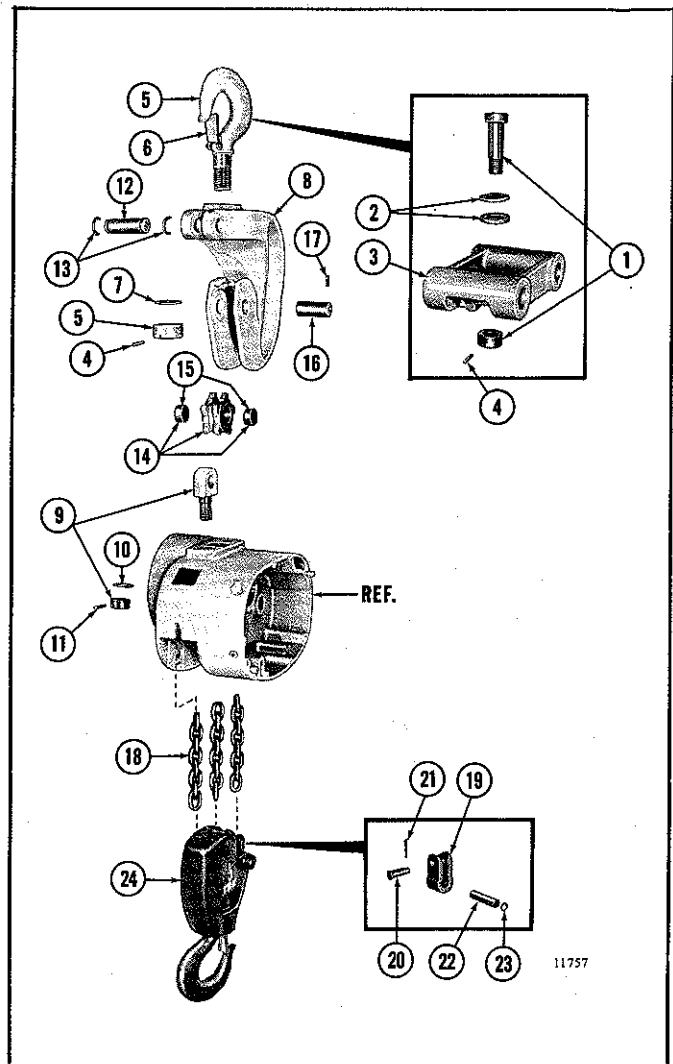


Figure 3. UPPER SUSPENSION, LOAD CHAIN AND LOWER BLOCK PARTS (3 Ton Capacity Hoists)

Ref. No.	Part Number	Description	Qty. Req'd.
1	BH-1131	Suspension Pin & Nut Assem.	1
2	BH-1132	Spherical Washer	1 Pr.
3	BH-1133	Suspension Lug	1
4	BH-1134	Pin - Grooved	1
5	BH-1135	Hook/Latch & Nut (Includes Item 6)	1
6	BH-1136	Latch Kit, Hook	1
7	BH-1137	Washer, Thrust	1
8	BH-1138	Hanger	1
9	BH-1139	Connecting Rod Assem.	1
10	BH-1140	Washer, Thrust	1
11	BH-1141	Pin, Grooved	1
12	BH-1142	Pin, Connection	1
13	BH-1143	Ring, Retaining	2
14	BH-1144	Sprocket & Bushing Assem. (Includes Item 15)	1
15	BH-1145	Bushing	2
16	BH-1146	Pin, Sprocket	1
17	BH-1147	Pin, Grooved	1
18	BH-1148	Chain Assembly, Coil Load	1
19	BH-1149	Link, Connecting	1
20	BH-1150	Pin, Anchor	1
21	BH-1151	Pin, Cotter	1
22	BH-1152	Pin, Dowel	1
23	BH-1153	Ring, Retaining	1
24	(See Fig. 16)	Block Assembly, Lower, Coil Chain	1

NOTICE

Always insist on genuine BUDGIT Hoist replacement parts when servicing this equipment. Parts are available from your local Authorized Repair Station or the factory at Muskegon.

To enable us to expedite your parts order, always give Model and Catalog Number and Electric Current of Hoist. (See nameplates)

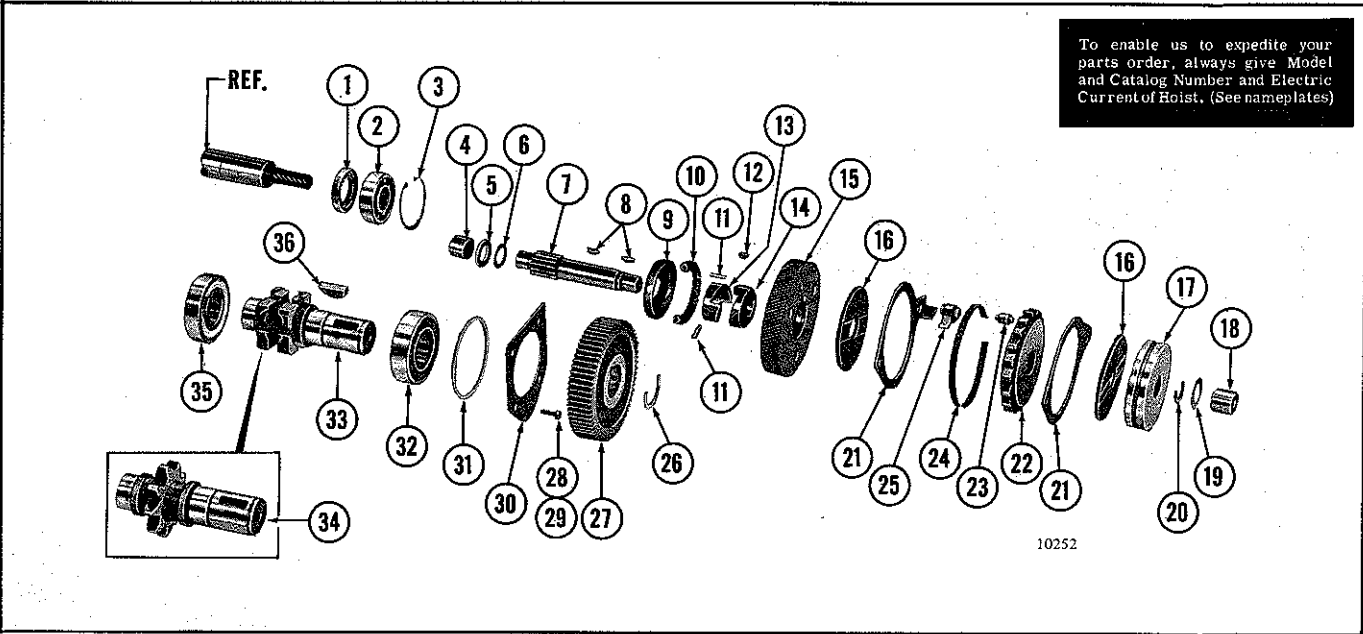


Figure 4. GEARING AND LOAD BRAKE PARTS – EXPLODED VIEW
 1/8, 1/4 & 1/2 Ton Capacity Standard Hoists and
 1/4 & 1/2 Ton Capacity Extra Heavy Duty Hoists (See Pg. 2, Para. 2)

Ref. No.	Part Number	Description	Qty. Req'd.
1	BH-1201	Seal – Oil, motor shaft	1
2	BH-1202	Bearing Assembly – Ball, motor shaft	1
3	BH-1203	Ring – Retaining, Internal	1
4	BH-1204	Bearing Assembly – Needle, 11/16" I.D.	1
5	BH-1205	Bearing – Thrust, bronze	1
6	BH-1206	Washer – Thrust, 11/16" I.D. (Used with 14 tooth Pinion Load Brake Shaft – BH-1207 below)	1
7	BH-1207	Shaft & Integral Pinion – load brake, 14 teeth	1
	BH-1208	23 teeth	1
	BH-1209	36 teeth	1
8	BH-1210	Key – Woodruff	2
9	BH-1211	Retainer – Spring, load brake	1
10	BH-1212	Spring – load brake (Plain – no color code)	1
	BH-1213	Spring – load brake (Yellow color code)	1
11	BH-1214	Pin – Groove	2
12	BH-1215	Key – Woodruff	1
13	BH-1216	Cam – load brake	1
14	*	Gear Center – load brake	1
15	BH-1217	Gear & Center Assembly – load brake	1
16	BH-1218	Disc – Friction, load brake	2
17	BH-1219	Flange – load brake	1
18	BH-1220	Bearing Assembly – Needle, 5/8" I.D.	1
19	BH-1221	Washer – Thrust, 5/8" I.D.	1
20	BH-1222	Ring – Snap, brake flange	1
	BH-1223	Pawl & Ratchet Assembly – load brake	1
21	**	Plate – Side	2
22	**	Ratchet	1
	**	Bushing – Ratchet (Not Shown)	2
23	**	Rivet – Spacer	1
24	**	Spring – Pawl	1
25	**	Pawl	1
26	BH-1224	Ring – Snap, sprocket gear	1
27		Gear – Sprocket	
	BH-1225	74 teeth	1
	BH-1226	65 teeth	1
	BH-1227	52 teeth	1

(Continued on following page.)

Figure 4. GEARING AND LOAD BRAKE PARTS – Continued

Ref. No.	Part Number	Description	Qty. Req'd.
28	BH-1228	Screw – Fillister Head Machine	4
29	BH-1229	Lockwasher – Spring Type	4
30	BH-1230	Plate – Retainer, sprocket bearing	1
31	BH-1231	Gasket – Ring, sprocket bearing	1
32	BH-1232	Bearing Assembly – Ball, sprocket	1
33	BH-1233	Sprocket – Coil chain (1/4" Dia. Wire)	1
34	BH-1234	Sprocket – Roller chain (5/8" Pitch)	1
35	BH-1235	Bearing Assembly – Ball, sprocket	1
36	BH-1236	Key – Woodruff	1

* Not available as an individual part. Order Gear and Center Assembly.

** Not available as individual parts. Order Pawl and Ratchet Assembly.

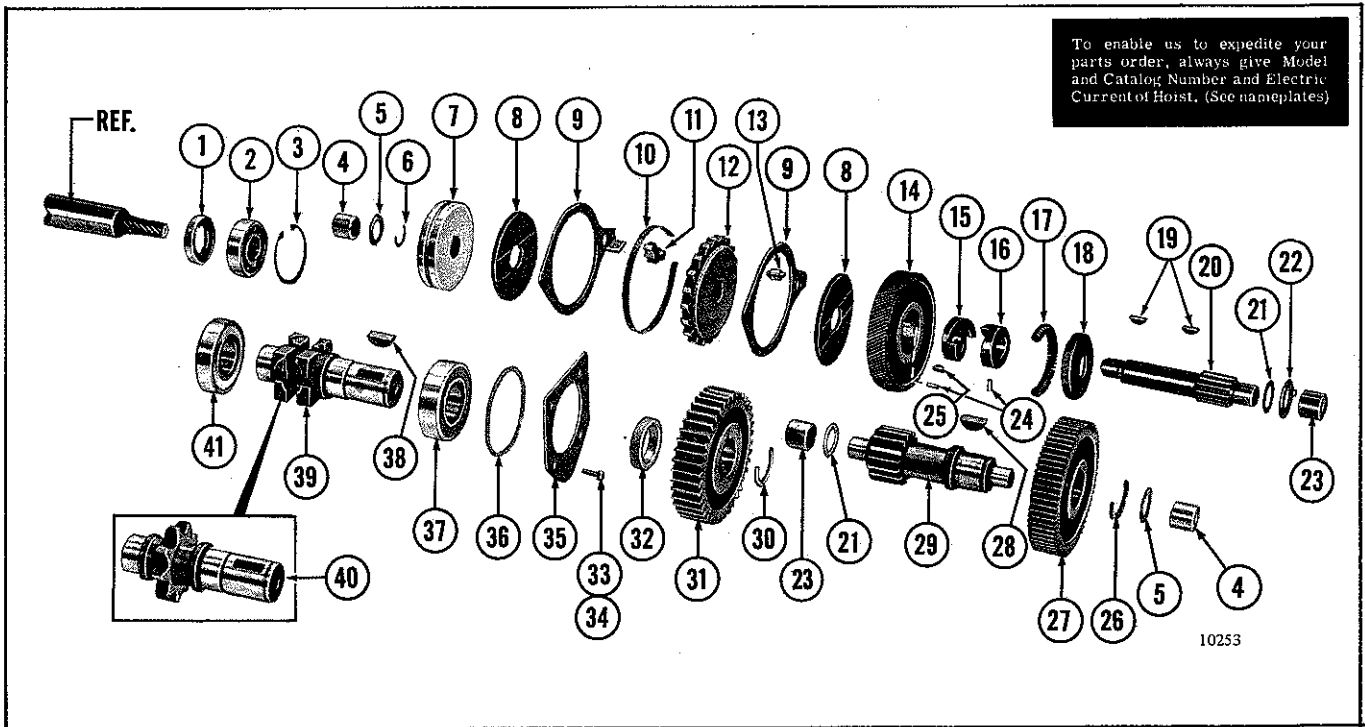


Figure 5. GEARING AND LOAD BRAKE PARTS – EXPLODED VIEW

(1, 2 & 3 Ton Capacity Hoists)

(1 & 2 Ton Capacity Extra Heavy Duty Hoists) (See Pg. 2, Para. 2)

Ref. No.	Part Number	Description	Qty. Req'd.
1	BH-1201	Seal – Oil, motor shaft	1
2	BH-1202	Bearing Assembly – Ball, motor shaft	1
3	BH-1203	Ring – Retaining, Internal	1
4	BH-1220	Bearing Assembly – Needle, 5/8" I.D.	2
5	BH-1221	Washer – Thrust, 5/8" I.D.	2
6	BH-1222	Ring – Snap, brake flange	1
7	BH-1219	Flange – Load Brake	1
8	BH-1218	Disc – Friction, load brake	2
	BH-1223	Pawl & Ratchet Assembly – Load Brake	1
9	*	Plate – Side	2
10	*	Spring – Pawl	1
11	*	Pawl	1
12	*	Ratchet	1
	*	Bushing – Ratchet (Not Shown)	1
13	*	Rivet – Spacer	2

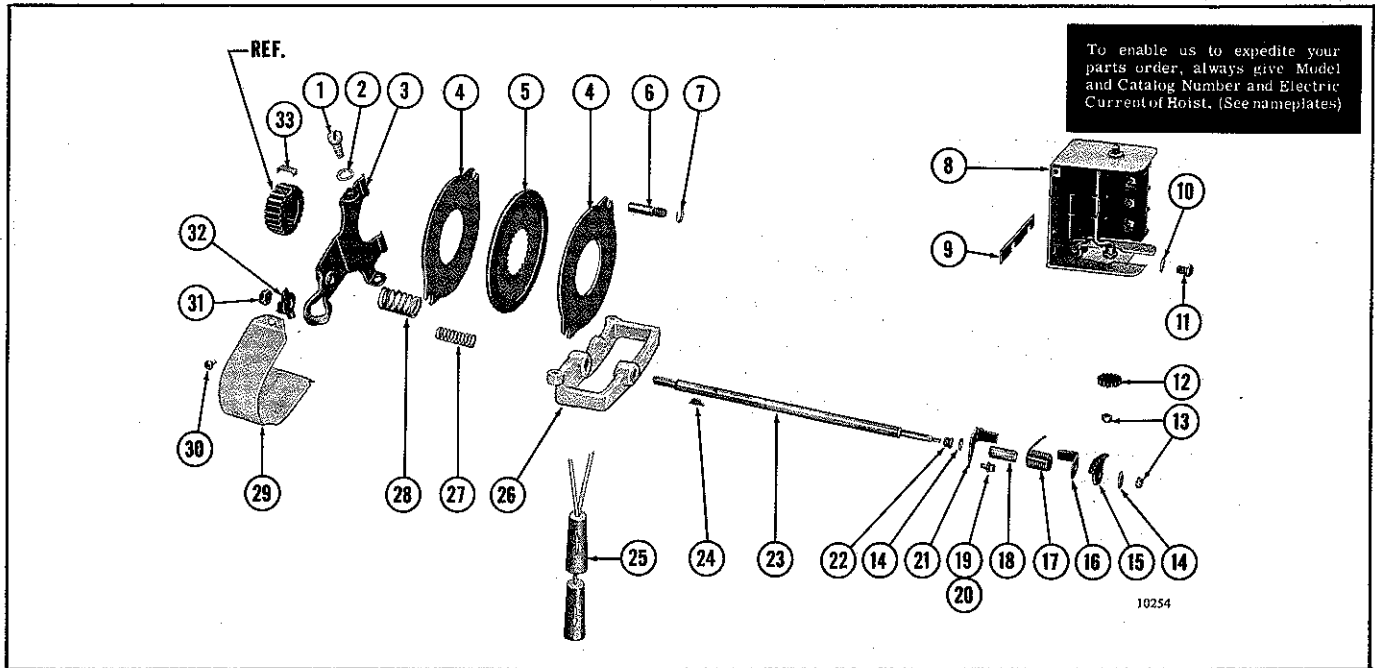
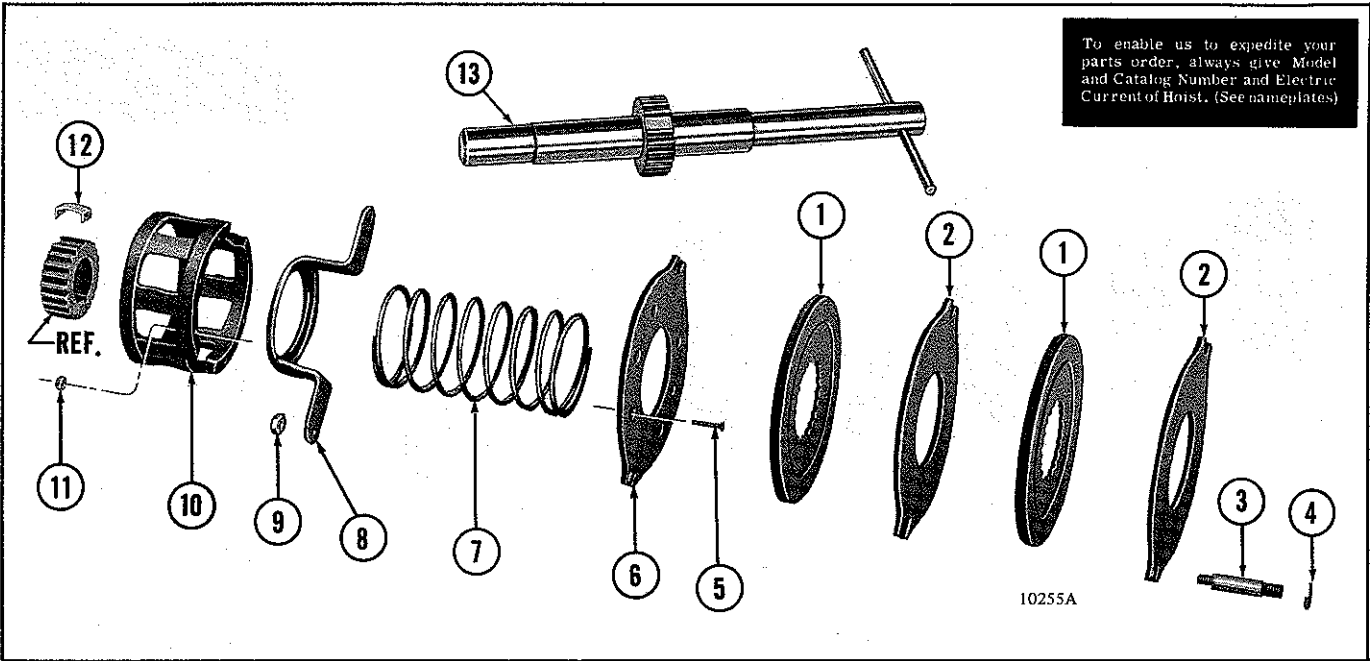


Figure 6. MANUAL MOTOR BRAKE AND ELECTRICAL CONTROL PARTS – EXPLODED VIEW
(Pull Cord Model Hoists)

Ref. No.	Part Number	Description	Qty. Req'd.
1	BH-1401	Pin – Pivot, brake lever	2
2	BH-1402	Lockwasher	2
3	BH-1403	Lever – Compression, brake	1
4	BH-1404	Plate – Friction, brake	2
5	BH-1405	Disc Assembly – Friction, brake	1
6	BH-1406	Pin – Support, brake plate	2
7	BH-1407	Ring – Retaining	2
8	(See Fig. 14)	Controller Assembly (Includes Items 12 and 13)	1
9	BH-1408	Shim – Controller (.0209" thk.)	As Req'd.
	BH-1409	Shim – Controller (.0149" thk.)	As Req'd.
10	BH-1410	Lockwasher – Spring Type	3
11	BH-1411	Screw – Round Head Machine	3
12	BH-1412	Pinion – Controller	1
13*	BH-1413	Nut – Hex, self locking	2
14*	BH-1414	Washer – Spacer	2
15*	BH-1415	Gear Segment – Controller	1
16*	BH-1416	Lever – Centering, controller	1
17*	BH-1417	Spring – Centering, controller	1
18*	BH-1418	Tube – Spacer	1
19	BH-1419	Screw – Hex Socket Head	2
20	BH-1420	Lockwasher – Spring Type	2
21*	BH-1421	Retainer – Centering Spring	1
22	BH-1422	Bearing – Flanged Sleeve	1
23*	BH-1423	Shaft – Control	1
24	BH-1424	Key – Woodruff	1
25	BH-1425	Cord Assembly – Control	1
	BH-1426	Handle – Control "UP"	1
	BH-1427	Handle – Control "DOWN"	1
26	BH-1428	Lever – Limit	1
27	BH-1429	Spring – Brake Cam	1
28	BH-1430	Spring – Brake	1
29	BH-1431	Cover – Brake Lever	1
30	BH-1432	Screw & Integral Lockwasher – Round Head	2
31	BH-1433	Nut – Hex, self locking	1
32	BH-1434	Cam – Brake	1
33	BH-1435	Spring – Friction Disc	1

* Above parts available as an assembly. Order No. BH-1436.



To enable us to expedite your parts order, always give Model and Catalog Number and Electric Current of Hoist. (See nameplates)

Figure 7. MAGNETIC MOTOR BRAKE PARTS – EXPLODED VIEW
 (3 Phase, Push Button Model Hoists & Extra Heavy Duty Hoists) (See Pg. 2, Para 2)

Ref. No.	Part Number	Description	Qty. Req'd.
1	BH-1405	Disc Assembly – Friction	2
2	BH-1404	Plate – Friction	2
3	BH-1501	Pin – Support, plate	2
4	BH-1407	Ring – Retaining	2
5	BH-1502	Screw – Flat Socket Head	6
6	BH-1503	Plate – Compression	1
7	BH-1504	Spring – Compression (1/4 & 1/2 H.P. Motors)	1
	BH-1505	Spring – Compression (1 & 2 H.P. Motors)	1
8	BH-1506	Cage – Spring	1
9	BH-1507	Nut – Hex, self locking	2
10	BH-1508	Plunger	1
	BH-1510	Plunger (2 H.P.)	1
11	BH-1509	Nut – Hex, self locking	6
12	BH-1435	Spring – Friction Disc (Not used on Extra Heavy Duty Hoists)	1
13	224704-1	Tool – Brake Disc Alignment	1

NOTES

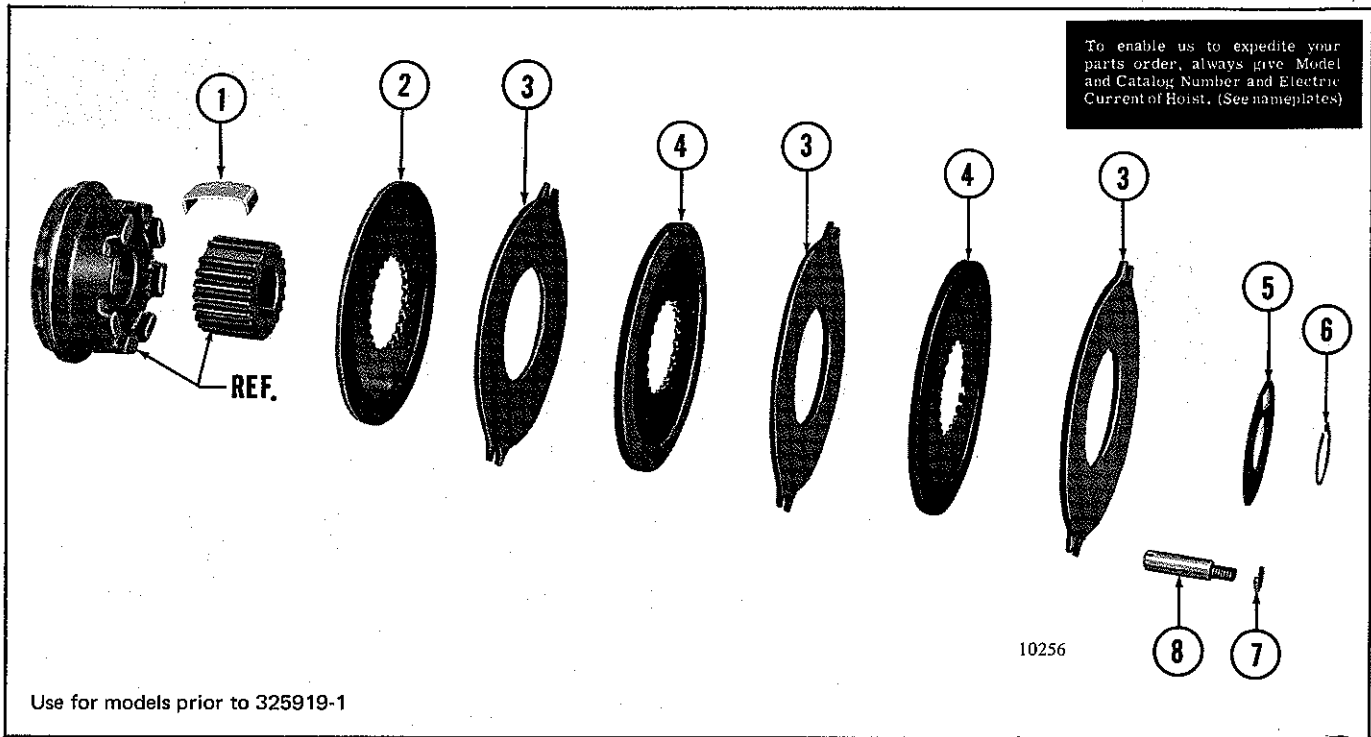


Figure 8. MAGNETIC MOTOR BRAKE PARTS – EXPLODED VIEW
(Single Phase, Push Button Model Hoists)

Ref. No.	Part Number	Description	Qty. Req'd.
1	BH-1601	Spring – Friction Disc	1
2	BH-1602	Disc Assembly – Brake	1
3	BH-1404	Plate – Friction	3
4	BH-1405	Disc Assembly – Friction	2
5	BH-1603	Washer – Retainer	1
6	BH-1604	Ring – Retaining	1
7	BH-1407	Ring – Retaining	2
8	BH-1605	Pin – Support, plate	2

NOTICE

Always insist on genuine BUDGIT Hoist replacement parts when servicing this equipment. Parts are available from your local Authorized Repair Station or the factory at Muskegon.

NOTES

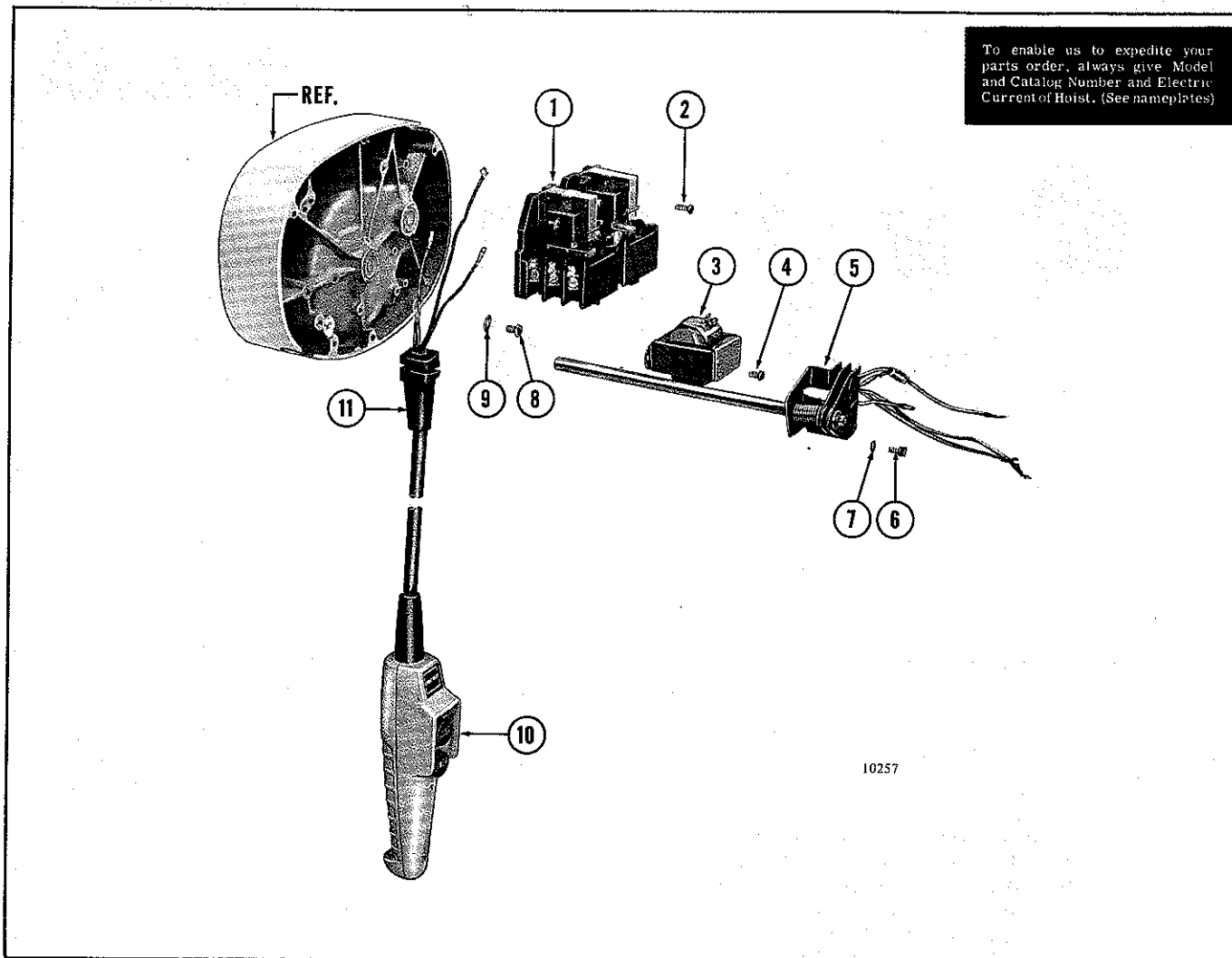


Figure 10. ELECTRICAL CONTROL UNITS – EXPLODED VIEW
(Push Button Model Hoists)
(Standard & Extra Heavy Duty Hoists) (See Pg. 2, Para. 2)

Ref. No.	Part No. Standard Hoist	Part No. Extra Heavy Duty Hoist	Description	Qty. Req'd.
1	(See Fig. 15)	(See Fig. 15)	Contactor Assembly – Complete	1
2	BH-1701	BH-1701	Screw & Integral Lockwasher – Round Head	2
3	BH-1702	BH-1715	Transformer Assembly (208 volt, 3 phase, 60 hertz hoists)	1
	BH-1703	BH-1716*	(230 volt, 1 & 3 phase, 60 hertz hoists)	1
	BH-1704	BH-1717	(460 volt, 3 phase, 60 hertz hoists)	1
	BH-1705	BH-1718	(575 volt, 3 phase, 60 hertz hoists)	1
	BH-1706		(115 volt, 1 phase, 60 hertz hoists)	1
	BH-1707	BH-1719	(230/460 volt, reconnectable hoists)	1
4	BH-1708	BH-1708	Screw & Integral Lockwasher – Round Head	2
5	(See Fig. 11)	(See Fig. 11)	Switch & Shaft Assembly – Limit	1
6	BH-1709	BH-1709	Screw – Hex Socket Head	2
7	BH-1710	BH-1710	Lockwasher	2
8	BH-1711	BH-1711	Screw – Round Head Machine	1
9	BH-1712	BH-1712	Washer – Flat	2
10	(See Fig. 12)	(See Fig. 13)	Push Button Station & Conductor Cable Assembly	1
11	BH-1713	BH-1713	Grommet – Strain Reliever, upper	1

* 3 Phase Only

To enable us to expedite your parts order, always give Model and Catalog Number and Electric Current of Hoist. (See nameplates)

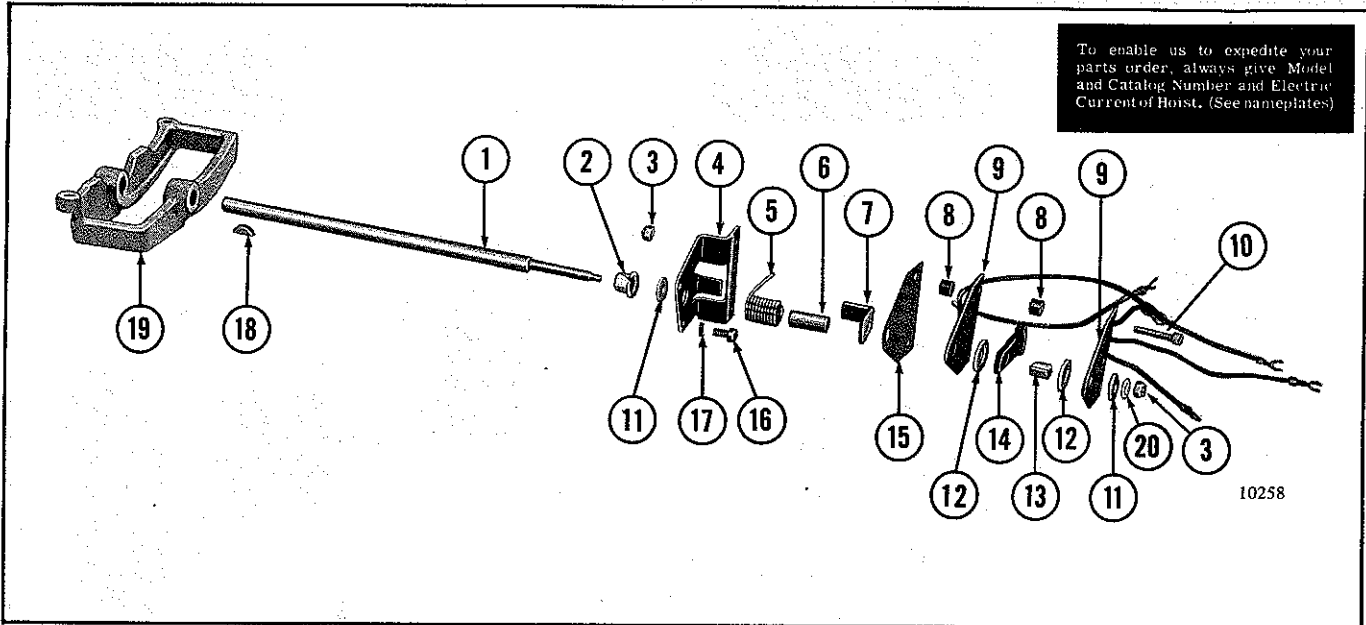


Figure 11. LIMIT LEVER AND SWITCH PARTS – EXPLODED VIEW
(Push Button Model Hoists & Extra Heavy Duty Models) (See Pg. 2, Para. 2)

Ref. No.	Part Number	Description	Qty. Req'd.
1	BH-1801	Switch & Shaft Assembly – Limit (Includes Items 1, and 3 thru 15)	1
2	BH-1802	Shaft – Control	1
3	BH-1422	Bearing – Flanged Steeve	1
3	BH-1413	Nut – Hex, self locking	3
4	BH-1805	Bracket – Retainer	1
5	BH-1417	Spring – Centering	1
6	BH-1807	Tube – Spacer	1
7	BH-1416	Lever – Centering	1
8	BH-1809	Spacer	4
9	BH-1810	Contact Board & Wire Assembly – Limit Switch	1
10	BH-1811	Screw – Round Head Cap	2
11	BH-1414	Washer – Spacer	2
12	BH-1813	Washer – Spacer, contact slide arm	2
13	BH-1814	Spacer – Drive, contact slide arm	1
14	BH-1815	Arm Assembly, contact slide	1
15	BH-1816	Insulation Strip	1
16	BH-1419	Screw – Hex Socket Head	2
17	BH-1420	Lockwasher – Spring Type	2
18	BH-1424	Key – Woodruff	1
19	BH-1428	Lever – Limit	1
20	BH-1414	Washer – Flat	1

NOTICE

Always insist on genuine BUDGIT Hoist replacement parts when servicing this equipment. Parts are available from your local Authorized Repair Station or the factory at Muskegon.

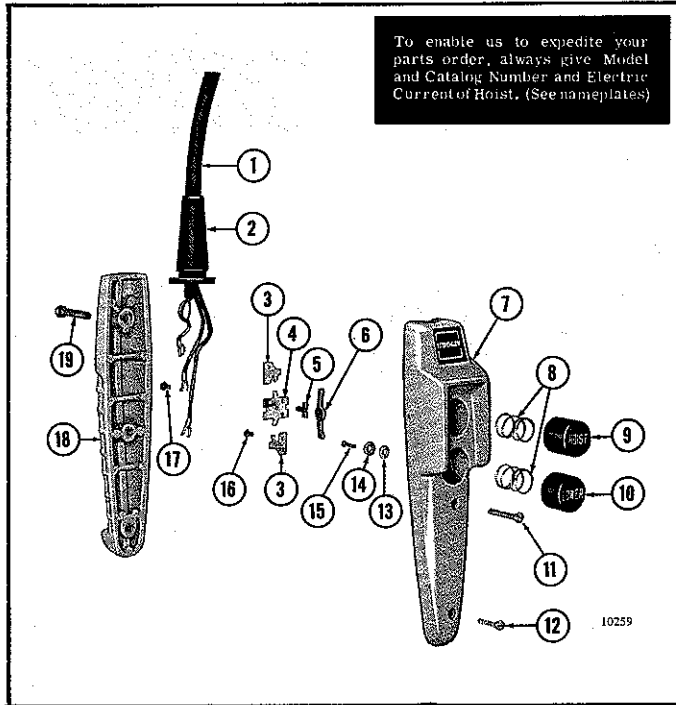


Figure 12. PUSH BUTTON STATION & CONDUCTOR CABLE ASSEMBLY
— EXPLODED VIEW
(Standard Model Hoists)

Ref. No.	Part Number	Description	Qty. Req'd.
*	BH-1901	Push Button Station & Conductor Cable Assembly	1
1*	BH-1902	Cable Assembly — Conductor, flexible (Includes upper and lower grommets)	1
2	BH-1903	Grommet — Strain Reliever, lower	1
3	BH-1904	Station Assembly — Push Button (Includes Items 3 thru 19)	1
3	BH-1905	Contact — Stationary	2
4	BH-1906	Contact — Stationary, center	1
5	BH-1907	Retainer — Interlock Bar	2
6	BH-1908	Bar — Interlock	2
7	BH-1909	Body Assembly — Front Half (Includes Item 18)	1
8	BH-1910	Spring — Push Button	2
9	BH-1911	Button — Push, "HOIST"	1
10	BH-1912	Button — Push, "LOWER"	1
11	BH-1913	Screw — Fillister Head Machine	1
12	BH-1914	Screw — Fillister Head Machine	1
13	BH-1915	Spring — Contact	2
14	BH-1916	Contact — Movable	2
15	BH-1917	Screw — Shoulder	2
16	BH-1918	Screw — Round Head Machine	6
17	BH-1919	Screw — Pan Head Machine, plated	3
18	BH-1920	Body Assembly — Rear Half (Includes Item 7)	1
19	BH-1921	Screw — Fillister Head Machine	1

* These assemblies are for standard 10' lift hoists. When ordering replacements for hoists with other than standard lifts, specify lift.

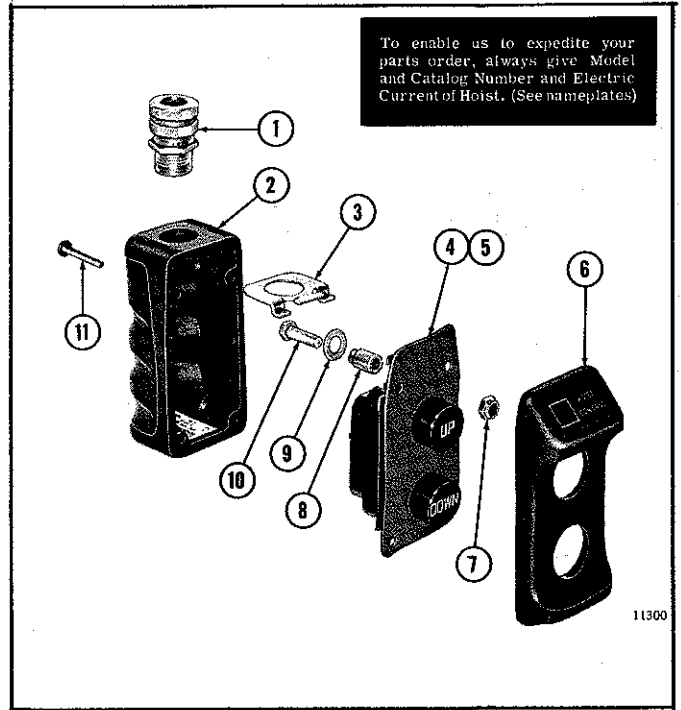


Figure 13. PUSH BUTTON STATION & CONDUCTOR CABLE ASSEMBLY
(Extra Heavy Duty Hoist & Weatherproof Service) (See Pg. 2, Para. 2)

Ref. No.	Part Number	Description	Qty. Req'd.
*	BH-1925	Push Button Station & Conductor Cable Assembly	1
*	BH-1926	Conductor Cable Assembly (Not Shown)	1
	BH-1927	Push Button Station Assembly (Includes Items 2 thru 6 & 11)	1
1	BH-1928	Cord Grip	1
2	BH-1929	Body — Push Button Station	1
3	BH-1930	Anchor — Cord Grip	1
4	BH-1931	Interior Assembly Complete	1
5	BH-1932	Gasket — Cover	1
6	BH-1933	Cover — Push Button Station	1
7	BH-1934	Nut — Elastic Stop	1
8	BH-1935	Spacer — Strain Reliever	1
9	BH-1936	Washer — Flat	1
10	BH-1937	Bolt — Round Head	1
11	BH-1938	Screw — Cover	4

* These assemblies are for standard 10' lift hoists. When ordering replacements for hoists with other than standard lifts, specify lift.

NOTES

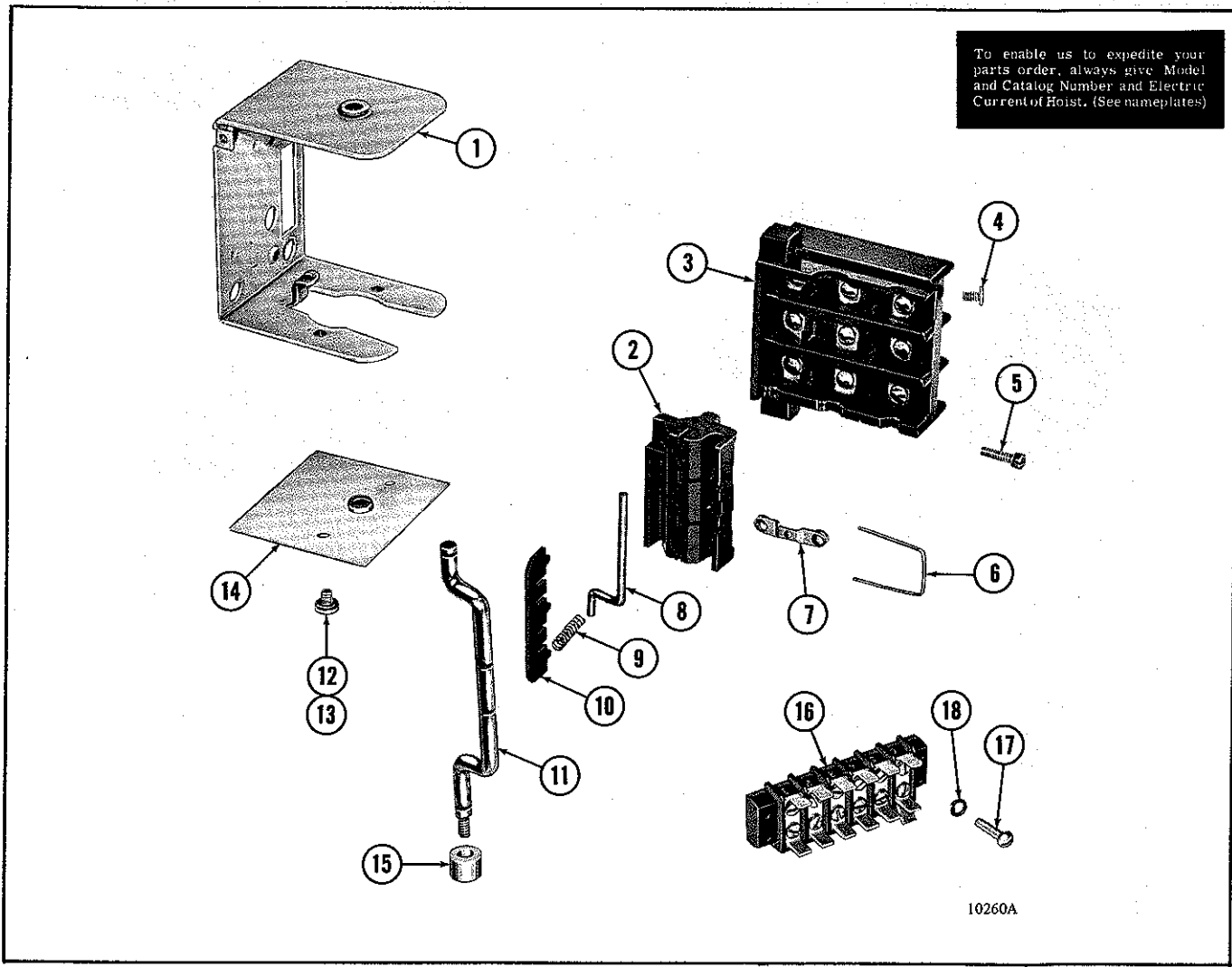


Figure 14. CONTROLLER ASSEMBLY -- EXPLODED VIEW
(Pull Cord Model Hoists)

Ref. No.	Part Number	Description	Qty. Req'd.
	BH-2001	Controller Assembly - Complete	1
1	BH-2002	Frame Assembly - Mounting	1
2	BH-2003	Board - Movable Contact	1
3*	BH-2004	Board Assembly - Stationary Contact	1
4*	BH-2005	Screw - Terminal, plated	7
5	BH-2006	Screw & Lockwasher - Fillister Head	2
6*	BH-2007	Clip - Wire	1
7*	BH-2008	Contact Assembly - Movable	3
8	BH-2009	Shaft - Movable Contact Board	1
9*	BH-2010	Spring - Contact	3
10	BH-2011	Retainer - Spring	1
11	BH-2012	Shaft - Controller	1
12	BH-2013	Screw - Binding Head Machine	2
13	BH-2014	Lockwasher - Spring Type	2
14	BH-2015	Plate Assembly - Lower Bearing	1
15	BH-2016	Spacer - Controller Shaft	1
16	BH-2017	Block - Terminal (For 3 phase reconnectable models)	1
17	BH-2018	Screw - Round Head Machine	2
18	BH-2019	Lockwasher - Spring Type	2
	BH-2020	Ring - Retaining (Not illustrated - Use with Ref. No. 11)	1

* Above parts also available in Contact Kit form. Order Kit No. BH-2017.

To enable us to expedite your parts order, always give Model and Catalog Number and Electric Current of Hoist. (See nameplates)

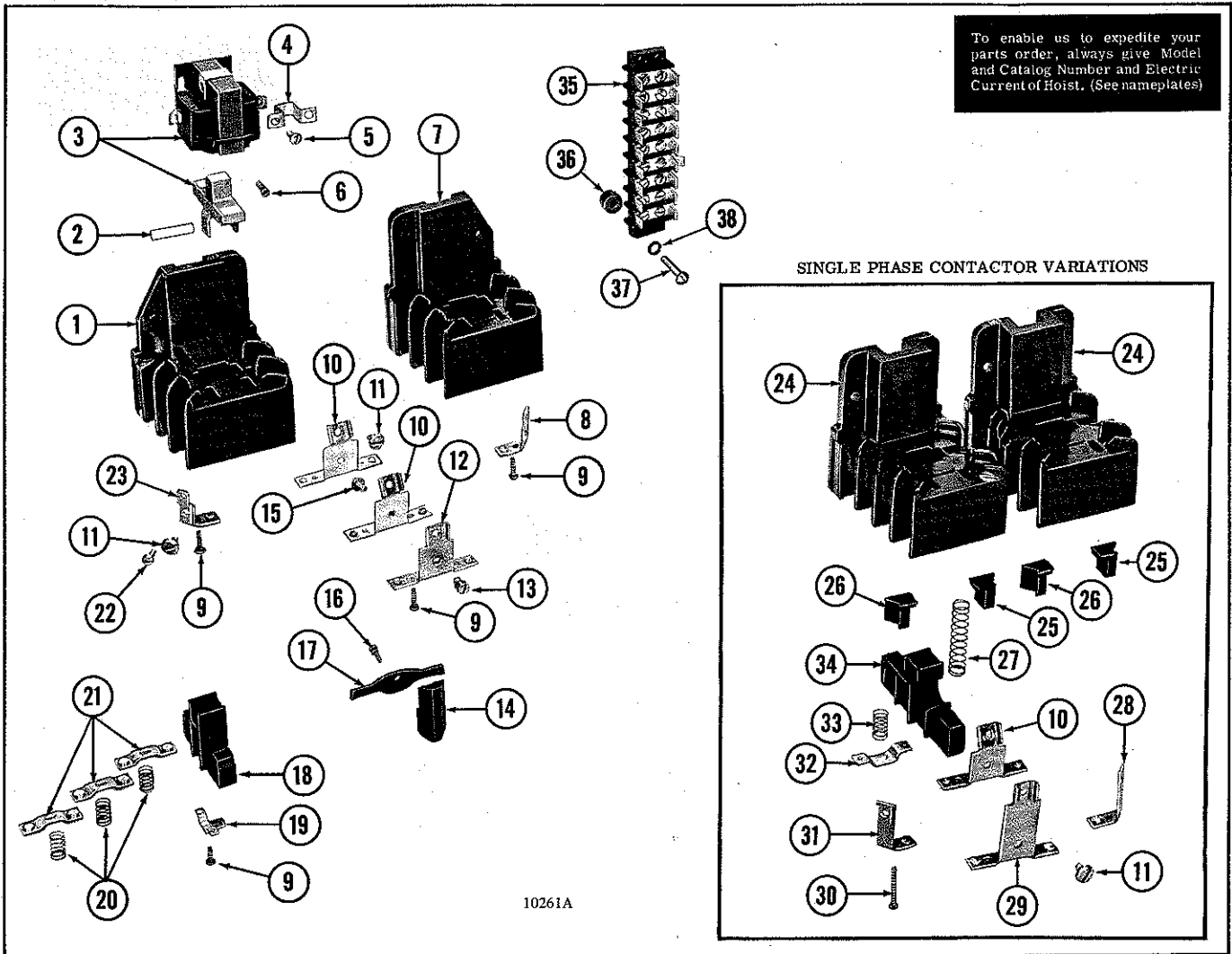
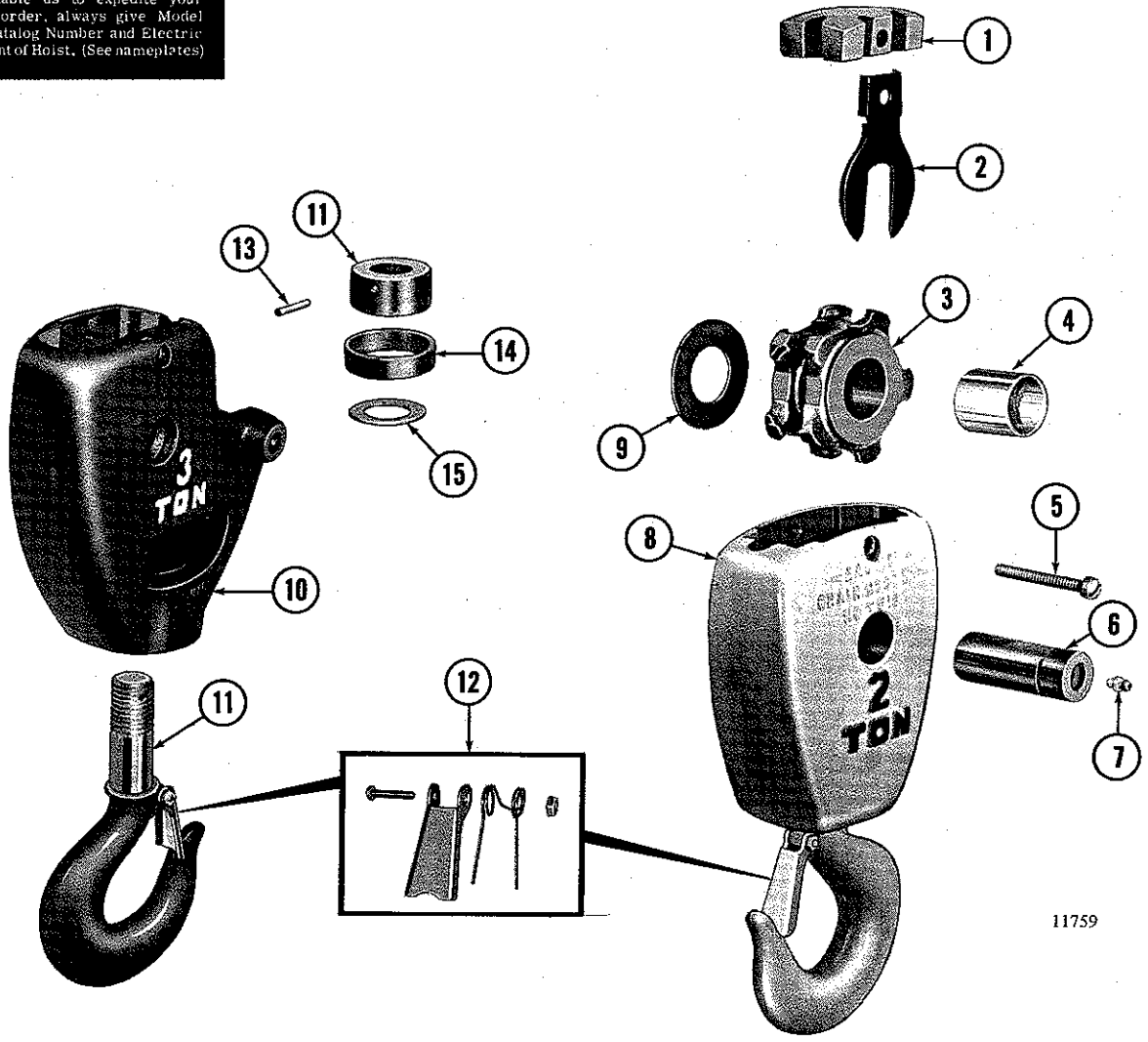


Figure 15. CONTACTOR ASSEMBLY – EXPLODED VIEW
(Push Button Model)
(Standard & Extra Heavy Duty Hoists) (See Pg. 2, Para. 2)

Ref. No.	Part Number	Description	Quantity Required		
			115/1/60	230/1/60	All 3 Phase
	BH-2101	Contactors Assembly – Complete, 115 v. Coil	1	—	—
	BH-2102	Contactors Assembly – Complete, 24 v. Coil	1	1	—
	BH-2103	Contactors Assembly – Complete	—	—	1
1	BH-2104	Board – Contact (L.H.)	—	—	1
2	BH-2105	Pin – Pusher, nylon	2	2	2
3	BH-2106	Solenoid Assembly – 24 volt	—	—	2
	BH-2107	Solenoid Assembly – 24 volt	2	2	—
	BH-2108	Solenoid Assembly – 115 volt	2	—	—
4	BH-2109	Jumper	1	1	1
5	BH-2110	Screw – Terminal, solenoid	4	4	4
6	BH-2111	Screw & Lockwasher – Fillister Head	4	4	4
	BH-2112	Board – Contact, (R.H.)	—	—	1
8*	BH-2113	Contact Assembly – Stationary (R.H.)	3	3	3
9	BH-2114	Screw – Pan Head Self-threading	12	12	16
10*	BH-2115	Terminal Assembly – Rear & Center	3	3	2
11	BH-2116	Screw – Terminal	4	4	4
12*	BH-2117	Terminal Assembly – Front	—	—	1
	BH-2118	Screw – Fillister Head	—	—	1
13	BH-2119	Support – Interlock Bar	1	1	1
14	BH-2120	Screw & Lockwasher – Fillister Head	1	1	1

To enable us to expedite your parts order, always give Model and Catalog Number and Electric Current of Hoist. (See nameplates)

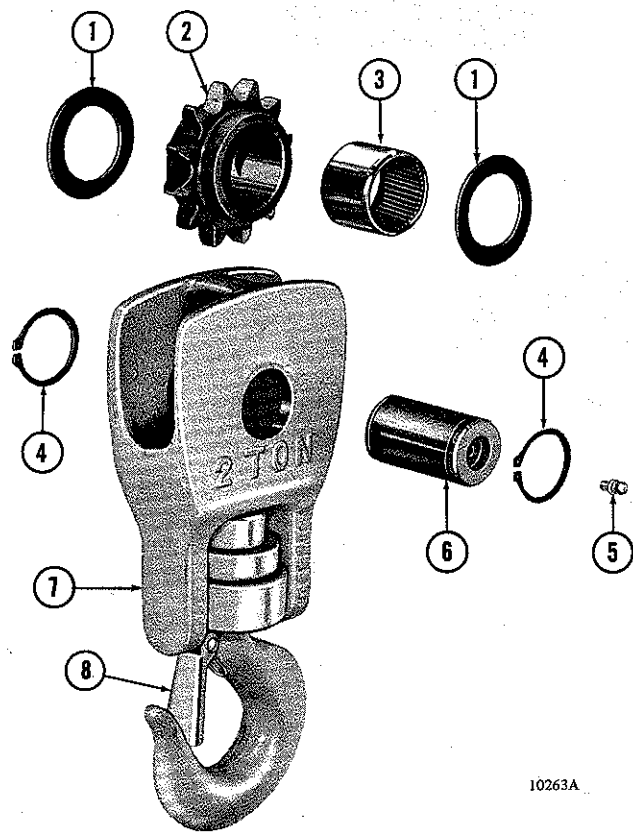


11759

Figure 16. 2 & 3 TON LOWER BLOCK ASSEMBLIES – EXPLODED VIEW
 (Coil Chain Model Hoists, 2 & 3 Ton Standard Hoists & 2 Ton Extra Heavy Duty Hoists) (See Pg. 2, Para. 2)

Ref. No.	Part Number	Description	Quantity 2 Ton	Required 3 Ton
	BH-2201	Block Assembly – Lower Complete	1	—
1	BH-2218	Block Assembly – Lower Complete	—	1
	BH-2202	Guide – Center	1	1
2	BH-2203	Lock – Sprocket Pin	1	1
3	BH-2204	Sprocket – Coil Chain	1	1
4	BH-2205	Bushing – Sprocket	1	1
5	BH-2206	Screw – Fillister Head, Self locking	1	1
6	BH-2207	Pin – Sprocket	1	1
7	BH-2208	Fitting – Hydraulic Drive	1	1
8	BH-2209	Body & Hook Assembly – Lower Block	1	—
9	BH-2210	Washer, Thrust	1	1
10	BH-2211	Body Assembly – Lower Block	—	1
11	BH-2212	Hook/Latch & Nut (Includes Item 12)	—	1
12	BH-2213	Latch Kit, Hook	1	—
	BH-2214	Latch Kit, Hook	—	1
13	BH-2215	Pin, Grooved	—	1
14	BH-2216	Shroud	—	1
15	BH-2217	Washer, Thrust	—	1

To enable us to expedite your parts order, always give Model and Catalog Number and Electric Current of Hoist. (See nameplates)



10263A

Figure 17. 2 TON LOWER BLOCK ASSEMBLY – EXPLODED VIEW
(Roller Chain Model Hoists)

Ref. No.	Part Number	Description	Qty. Req'd.
1	BH-2301	Block Assembly – lower, complete	1
2	BH-2302	Washer – Spring Thrust	2
3	BH-2303	Sprocket – Chain	1
4	BH-2304	Bearing Assembly – Needle	1
5	BH-2305	Ring – Retaining, external	2
6	BH-2208	Fitting – Hydraulic Drive	1
7	BH-2307	Pin – Sprocket	1
8	BH-2308	Body and Hook Assembly – Lower Block (Includes Item 8 below)	1
	BH-2213	Latch Kit – Hook	1

NOTICE

Always insist on genuine BUDGIT Hoist replacement parts when servicing this equipment. Parts are available from your local Authorized Repair Station or the factory at Muskegon.

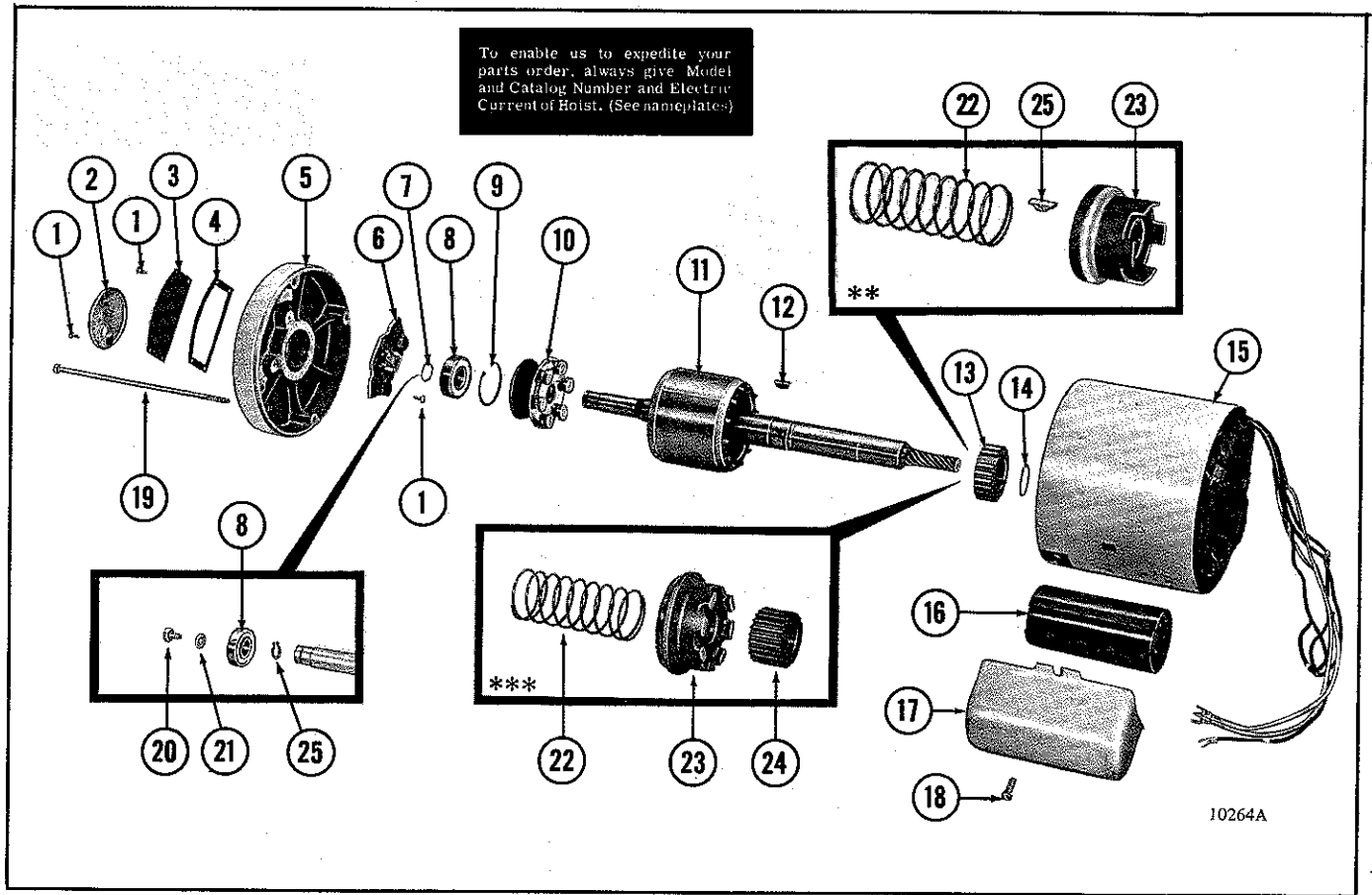


Figure 18. SINGLE PHASE MOTOR ASSEMBLIES – EXPLODED VIEW
(Push Button and Pull Cord Model Hoists)

Ref. No.	Part Number	Description	Quantity Required		
			1/4 H.P.	1/2 H.P.	1 H.P.
	(See Motor Table)	Motor Assembly – Complete (For Pull Cord Models)	1	1	1
	(See Motor Table)	Motor Assembly – Complete (For Push Button Models)	1	1	—
1	BH-2401	Screw – Round Head Self Tapping	10	10	10
2	BH-2402	Cover – Motor Shaft	1	1	1
3	BH-2403	Cover – End Bell	1	1	1
4	BH-2404	Gasket – End Bell Cover	1	1	1
5	BH-2405	Bell – End	1	1	1
6	BH-2406	Switch Assembly – Stationary	1	1	1
7	BH-2407	Ring – Retaining, external	1	1	1
8	BH-2408	Bearing Assembly – Ball	1	1	1
9	BH-2409	Ring – Retaining, Internal	1	1	1
10	BH-2410	Switch Assembly – Centrifugal	1	1	1
11	(See Motor Table)	Rotor & Shaft Assembly	1	1	1
12	BH-2411	Key – Woodruff	1	1	1
13* **	BH-2412	Hub – Motor Brake, splined	1	1	1
14	BH-2413	Ring – Retaining	1	1	1
15	(See Motor Table)	Stator Assembly (Includes Items 6, 16, 17 & 18)	1	1	1
16	BH-2414	Capacitor Assembly – 115 volt	1	—	—
	BH-2415	Capacitor Assembly – 230 volt	1	—	—
	BH-2416	Capacitor Assembly – 115 volt	—	1	—
	BH-2417	Capacitor Assembly – 230 volt	—	1	—
	BH-2418	Capacitor Assembly – 230 volt	—	—	1
17	BH-2419	Cover – Capacitor	1	1	—
	BH-2420	Cover – Capacitor	—	—	1
18	BH-2421	Screw – Truss Head Self Tapping	2	2	2
19*	BH-2422	Bolt – Motor Mounting	4	4	—
**	BH-2440	Bolt – Motor Mounting	4	4	—
***	BH-2423	Bolt – Motor Mounting	4	4	—

To enable us to expedite your parts order, always give Model and Catalog Number and Electric Current of Hoist. (See nameplates)

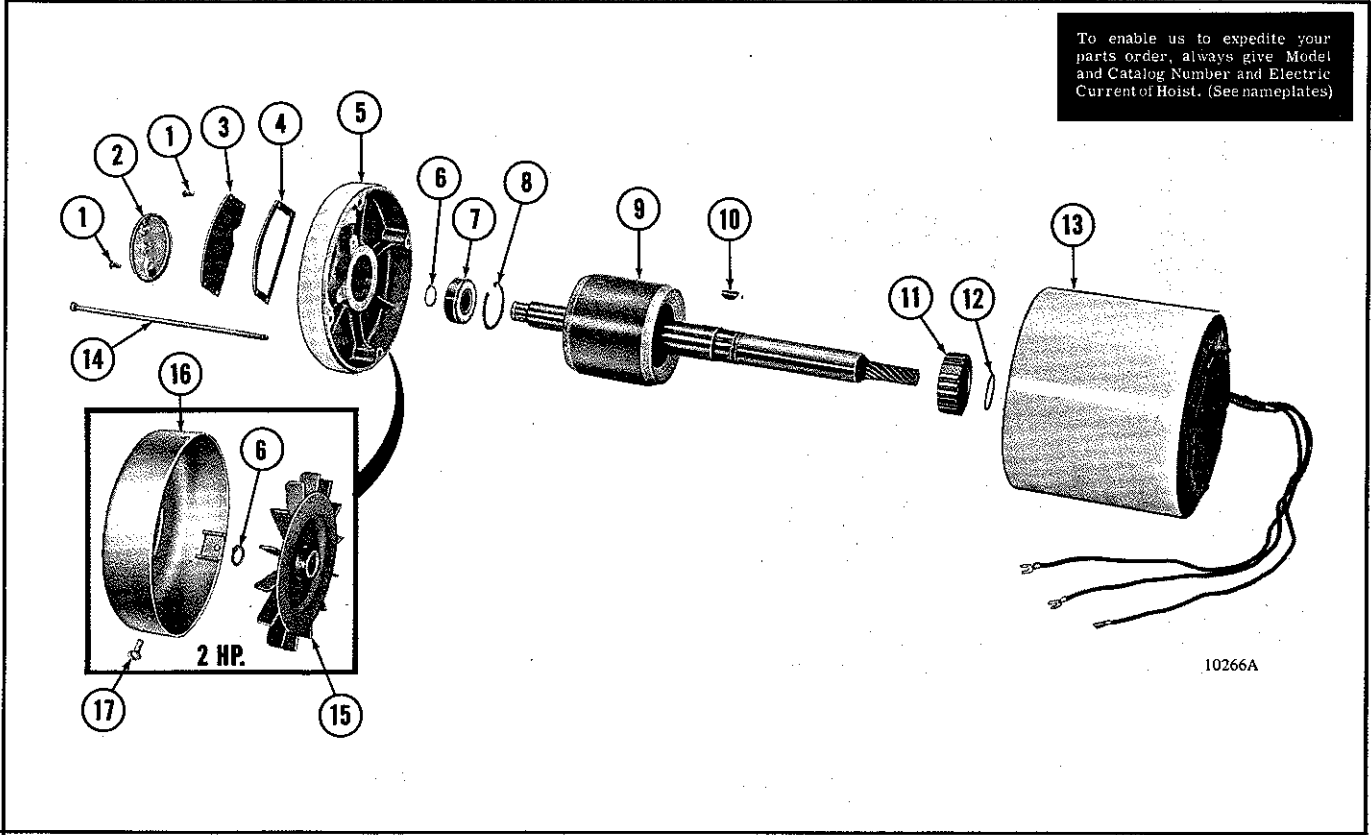


Figure 19. THREE PHASE MOTOR ASSEMBLY – EXPLODED VIEW
 (Standard Push Button and Pull Cord Model Hoists 1/4, 1/2, 1 & 2 H.P. Motors)
 (For Extra Heavy Duty Motors See Figure 20 & 21)

Ref. No.	Part Number	Description	Qty. Req'd.
	(See Motor Table)	Motor Assembly – Complete (For Pull Cord Models)	1
	(See Motor Table)	Motor Assembly – Complete (For Push Button Models)	1
1**	BH-2401	Screw – Round Head Self Tapping	2
2**	BH-2402	Cover – Motor Shaft	1
3**	BH-2403	Cover – End Bell	1
4**	BH-2404	Gasket – End Bell Cover	1
5	BH-2405	Bell – End (Without Tapped Holes for fan guard)	1
	BH-2506	(With Tapped Holes for fan guard)	1
6*	BH-2407	Ring – Retaining, external	1
7	BH-2408	Bearing Assembly – Ball	1
8	BH-2409	Ring – Retaining, internal	1
9	(See Motor Table)	Rotor & Shaft Assembly	1
10	BH-2411	Key – Woodruff	1
11	BH-2412	Hub – Motor Brake, splined	1
12	BH-2413	Ring – Retaining, external	1
13	(See Motor Table)	Stator Assembly	1
14		Bolt – Motor Mounting	
	BH-2501	(Pull Cord Model Hoists)	4
	BH-2502	(Push Button Model Hoists) 1/4, 1/2 & 1 H.P.	4
	BH-2424	(Push Button Model Hoists) (2 H.P.)	4
15	BH-2505	Fan (2 H.P.)	1
16	BH-2504	Guard & Spacer Assembly – Fan (2 H.P.)	1
17	BH-2533	Screw – Self tapping (2 H.P.)	3

* Quantity (2) for 2 H.P. Motors
 ** Not Required for 2 H.P. Motors

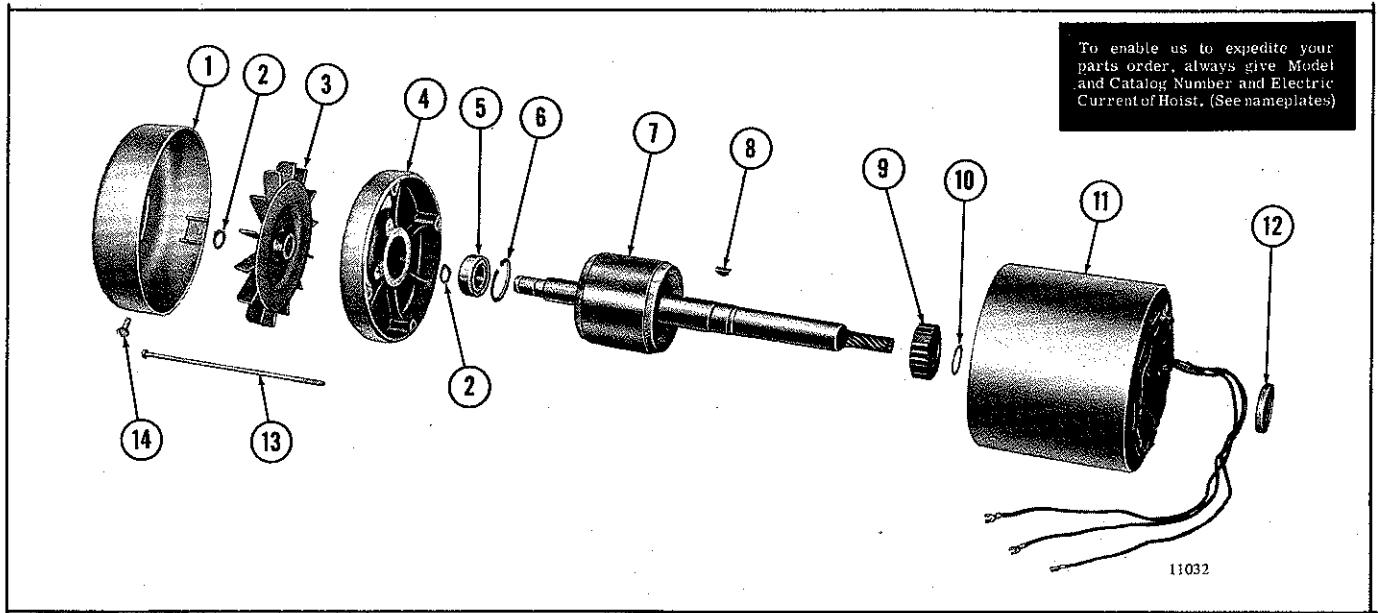


Figure 20. THREE PHASE MOTOR ASSEMBLY – EXPLODED VIEW
Extra Heavy Duty Model Hoists (See Pg. 2, Para 2)

Ref. No.	Part Number	Description	Qty. Req'd.
	(See Motor Table)	Motor Assembly – Complete	1
1	BH-2504	Guard – Fan	1
2	BH-2407	Ring – Retaining, external	2
3	BH-2505	Fan	1
4	BH-2506	Bell – End	1
5	BH-2507	Bearing Assembly – Ball	1
6	BH-2409	Ring – Retaining, internal	1
7	(See Motor Table)	Rotor & Shaft Assembly	1
8	BH-2411	Key – Woodruff	1
9	BH-2412	Hub – Motor Brake, splined	1
10	BH-2413	Ring – Retaining, external	1
11	(See Motor Table)	Stator Assembly	1
12	BH-2532	Seal – Oil, motor shaft	1
13	BH-2502	Bolt – Motor Mounting	4
14	BH-2533	Screw – Self tapping	3

Figure 21. REPLACEMENT MOTOR TABLE – EXTRA HEAVY DUTY MODEL HOISTS

Motor H.P.	Hoist Model Used On	A. C. Voltage	Part Number		
			Motor Assembly	Rotor & Shaft Assembly	Stator Assembly
1/4	Extra Heavy Duty Hoist Push Button	230-3-60	BH-2534	BH-2508	BH-2520
		460-3-60	BH-2535	BH-2509	BH-2521
		575-3-60	BH-2536	BH-2510	BH-2522
		208-3-60	BH-2537	BH-2511	BH-2523
1/2	Extra Heavy Duty Hoist Push Button	230-3-60	BH-2539	BH-2512	BH-2524
		460-3-60	BH-2540	BH-2513	BH-2525
		575-3-60	BH-2541	BH-2514	BH-2526
		208-3-60	BH-2542	BH-2515	BH-2527
1	Extra Heavy Duty Hoist Push Button	230-3-60	BH-2544	BH-2516	BH-2528
		460-3-60	BH-2545	BH-2517	BH-2529
		575-3-60	BH-2546	BH-2518	BH-2530
		208-3-60	BH-2547	BH-2519	BH-2531

Figure 22. REPLACEMENT MOTOR TABLE – STANDARD MODEL HOISTS

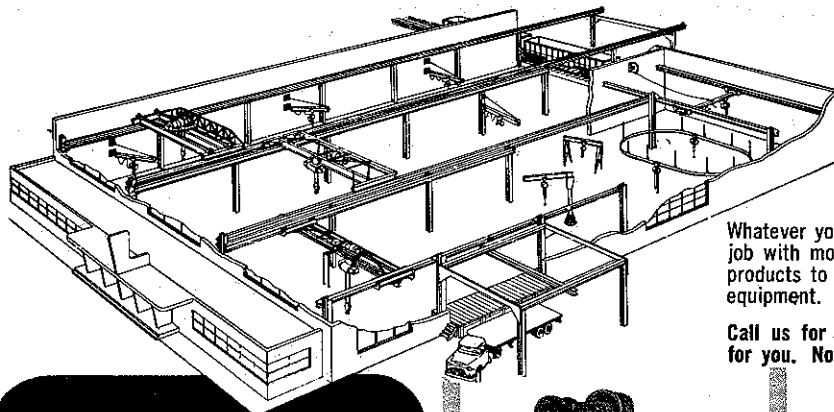
(Includes: Motor Assemblies, Rotor and Shaft Assemblies and Stator Assembly)

Motor H.P.	Hoist Model Used On	A. C. Voltage	Part Number			
			Motor Assembly	Rotor & Shaft Assembly	*** Stator Assembly	
1/4	Pull Cord Models (Manual Brake)	115-1-60	BH-2601	BH-2610*	BH-2619	
		230-1-60	BH-2602	BH-2611*	BH-2620	
		208-3-60	BH-2701	BH-2731	BH-2761	
		230-3-60	BH-2702	BH-2732	BH-2762	
		460-3-60	BH-2703	BH-2733	BH-2763	
		575-3-60	BH-2704	BH-2734	BH-2764	
		230/460-3-60	BH-2705	BH-2735	BH-2765	
	Push Button Models (Magnetic Brake)	115-1-60	BH-2603	BH-2612**	BH-2621	
		230-1-60	BH-2604	BH-2613**	BH-2622	
		208-3-60	BH-2706	BH-2736	BH-2766	
		230-3-60	BH-2707	BH-2737	BH-2767	
		460-3-60	BH-2708	BH-2738	BH-2768	
		575-3-60	BH-2709	BH-2739	BH-2769	
		230/460-3-60	BH-2710	BH-2740	BH-2770	
1/2	Pull Cord Models (Manual Brake)	115-1-60	BH-2605	BH-2614*	BH-2623	
		230-1-60	BH-2606	BH-2615*	BH-2624	
		208-3-60	BH-2711	BH-2741	BH-2771	
		230-3-60	BH-2712	BH-2742	BH-2772	
		460-3-60	BH-2713	BH-2743	BH-2773	
		575-3-60	BH-2714	BH-2744	BH-2774	
		230/460-3-60	BH-2715	BH-2745	BH-2775	
	Push Button Models (Magnetic Brake)	115-1-60	BH-2607	BH-2616**	BH-2625	
		230-1-60	BH-2608	BH-2617**	BH-2626	
		208-3-60	BH-2716	BH-2746	BH-2776	
		230-3-60	BH-2717	BH-2747	BH-2777	
		460-3-60	BH-2718	BH-2748	BH-2778	
		575-3-60	BH-2719	BH-2749	BH-2779	
		230/460-3-60	BH-2720	BH-2750	BH-2780	
1	Pull Cord Models (Manual Brake)	230-1-60	BH-2609	BH-2618*	BH-2627	
		208-3-60	BH-2721	BH-2751	BH-2781	
		230-3-60	BH-2722	BH-2752	BH-2782	
		460-3-60	BH-2723	BH-2753	BH-2783	
		575-3-60	BH-2724	BH-2754	BH-2784	
		230/460-3-60	BH-2725	BH-2755	BH-2785	
		Push Button Models (Magnetic Brake)	230-1-60	BH-2630	BH-2631**	BH-2632
	208-3-60		BH-2726	BH-2756	BH-2786	
	230-3-60		BH-2727	BH-2757	BH-2787	
	460-3-60		BH-2728	BH-2758	BH-2788	
	575-3-60		BH-2729	BH-2759	BH-2789	
	230/460-3-60		BH-2730	BH-2760	BH-2790	
	2		Push Button Models (Magnetic Brake)	208-3-60	BH-2791	BH-2794
		575-3-60		BH-2793	BH-2796	BH-2799
230/460-3-60		BH-2792		BH-2795	BH-2798	

* Above rotor and shaft assemblies include the centrifugal switch, brake hub, and retaining ring.

** Above rotor and shaft assemblies include the centrifugal switch, brake spring, brake plunger, brake hub, and retaining ring.

*** Stator Assemblies for single phase motors include stationary switch, capacitor, capacitor cover and cover mounting screws.

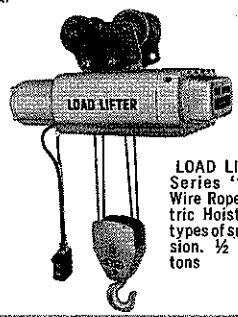


modernize your flow of production

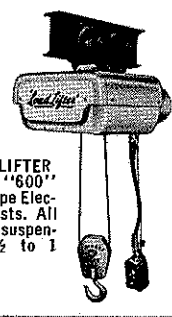
Whatever your lifting problem, there's a DRESSER hoist or crane to handle the job with money-saving efficiency. Illustrated here are but a few of the many products to be found in DRESSER'S broad line of overhead materials handling equipment.

Call us for practical help in selecting the best type of hoisting equipment for you. No obligation, of course.

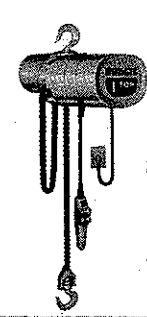
**choose hoists
that save
the most**



LOAD LIFTER
Series "700"
Wire Rope Electric Hoists. All types of suspension. ½ to 15 tons



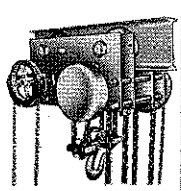
LOAD LIFTER
Series "600"
Wire Rope Electric Hoists. All types of suspension. ½ to 1 ton.



Push Button or Pull Cord Control Model **BUDGIT** Electric Hoists. Choice of Coil or Roller Chain. ¼ to 3 Tons.



GripLifter lifting devices. Plate clamps, tongs, barrel & drum grips, box hooks, etc.



SHAW-BOX Standard Low-Headroom Trolley Hoists. 1 to 24 tons.



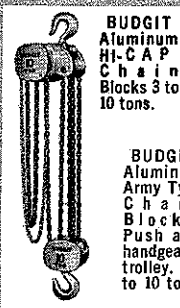
BUDGIT Air Hoists. Both link and roller chain models. ¼ to 1 ton.

LOAD LIFTER Cable Type Air Hoists. All types of suspensions. 1 to 15 tons.

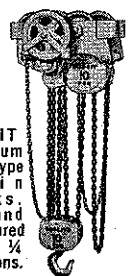


BUDGIT Aluminum Chain Blocks. Spark and corrosion resistant models. ¼ to 2 tons.

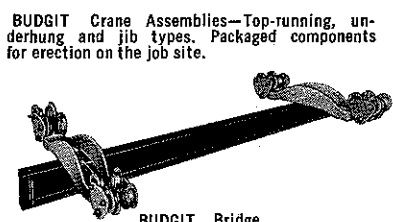
BUDGIT Chain Blocks with roller chain. ¼ to 2 tons.



BUDGIT Aluminum HI-CAP Chain Blocks 3 to 10 tons.



BUDGIT Aluminum Army Type Chain Blocks. Push and handgears trolley. ¼ to 10 tons.



BUDGIT Crane Assemblies—Top-running, underhung and jib types. Packaged components for erection on the job site.

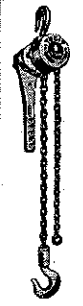
BUDGIT Bridge Drive to convert hand-operated crane bridges to electric drive.



SHAW-BOX Standard Spur-Gear Hoists. ¼ to 25 tons.



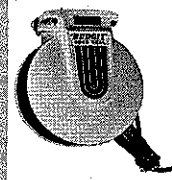
BUDGIT Differential Chain Hoists. ½ and 1 ton.



TUGIT Lever-Operated Portable Hoists. ¼ to 6 tons.



TIPIT — a sling for tipping loads. 1 ton.



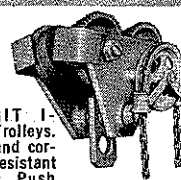
BUDGIT Cord Reels to supply current to portable tools with polyphase motors up to 7½ hp., single phase to ½ hp.



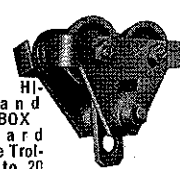
BUDGIT Cord Conductor Trolleys. Fit 8" to 18" I-beams.



BUDGIT I-Beam Trolleys. Spark and corrosion resistant models. Push and Hand Gears ¼ to 2 tons.



BUDGIT HI-CAP and SHAW-BOX Standard Geared-Type Trolleys. 1 to 20 tons.



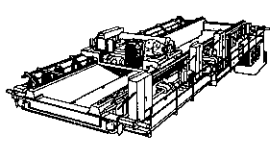
BUDGIT HI-CAP and SHAW-BOX Standard Push-type Trolleys. ¼ to 20 tons.



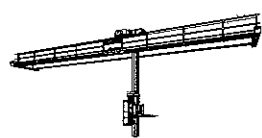
DRESSER CRANE, HOIST & TOWER DIVISION
DRESSER INDUSTRIES, INC.
MUSKEGON, MICHIGAN 49843

DRESSER builds a complete line of electric, air and hydraulic cranes—standardized types or custom engineered units. Apply directly to factory for complete information.

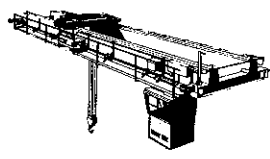
HEAVY-DUTY SHAW-BOX® CRANES FOR EVERY INDUSTRY



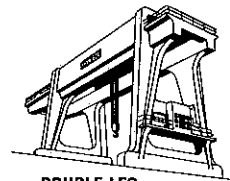
HEAVY DUTY OVERHEAD CRANE



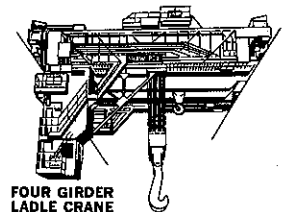
OVERHEAD STACKER CRANE



INDUSTRIAL OVERHEAD CRANE



DOUBLE LEG GANTRY CRANE



FOUR GIRDER LADLE CRANE

TRADE MARKS LOAD LIFTER, BUDGIT, HI-CAP, SHAW-BOX, TUGIT AND TIPIT REGISTERED IN U.S. PATENT OFFICE

AUTHORIZED REPAIR STATIONS

Owners of LOAD LIFTER®, BUDGIT® and TUGIT® hoisting products may obtain parts and service quickly from our Authorized Repair Stations located in the cities listed below. These Authorized Repair Stations carry comprehensive inventories of LOAD LIFTER, BUDGIT and TUGIT Parts, and offer complete repair service by skilled mechanics.

ALABAMA
Birmingham

ARIZONA
Glendale
Tucson

ARKANSAS
North Little Rock

CALIFORNIA
Los Angeles
Fresno
Oakland

CANADA
Montreal, P.Q.
Toronto, Ont.
Vancouver, B.C.
Quebec City
Calgary, Alberta
Windsor, Ontario
Galt, Ontario
Port Arthur, Ont.
London, Ontario

COLORADO
Denver

CONNECTICUT
Bridgeport

FLORIDA
Miami
Orlando

GEORGIA
Atlanta

ILLINOIS
Chicago
Peoria

INDIANA
Indianapolis
South Bend
Fort Wayne

IOWA
Davenport
Des Moines

KENTUCKY
Louisville

LOUISIANA
New Orleans
Monroe
Shreveport
Baton Rouge

MARYLAND
Baltimore

MASSACHUSETTS
South Boston
Springfield

MICHIGAN
Detroit
Muskegon
Scotts
Lansing

MINNESOTA
Minneapolis

MISSISSIPPI
Jackson

MISSOURI
Kansas City
St. Louis

NEBRASKA
Omaha

NEW JERSEY
Newark

NEW MEXICO
Albuquerque

NEW YORK
Buffalo
Long Island City
Syracuse

NORTH CAROLINA
Charlotte

OHIO
Cleveland
Cincinnati
Toledo
Columbus

OKLAHOMA
Tulsa
Oklahoma City

OREGON
Portland

PENNSYLVANIA
Pittsburgh
Philadelphia
Lancaster
Kingston
Monroeville

RHODE ISLAND
Providence

TENNESSEE
Chattanooga
Memphis
Knoxville
Nashville

TEXAS
Dallas
Houston
Odessa
Lubbock

UTAH
Salt Lake City

WASHINGTON
Seattle

WISCONSIN
Milwaukee