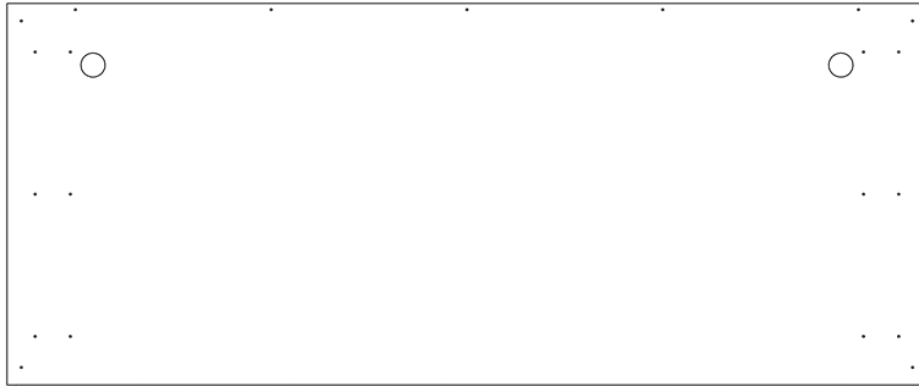
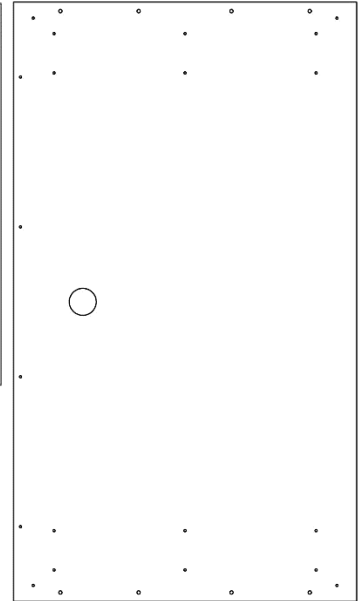


## Phase 1 | Preparing for Assembly

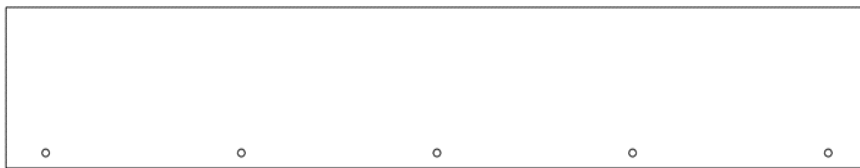
Before beginning, make sure you have the components pictured on this page. If you notice any issues, please email us at: [info@porvata.com](mailto:info@porvata.com)



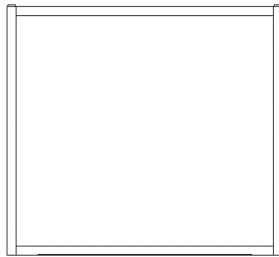
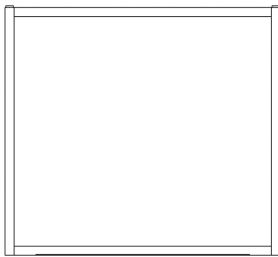
Desktop



Return

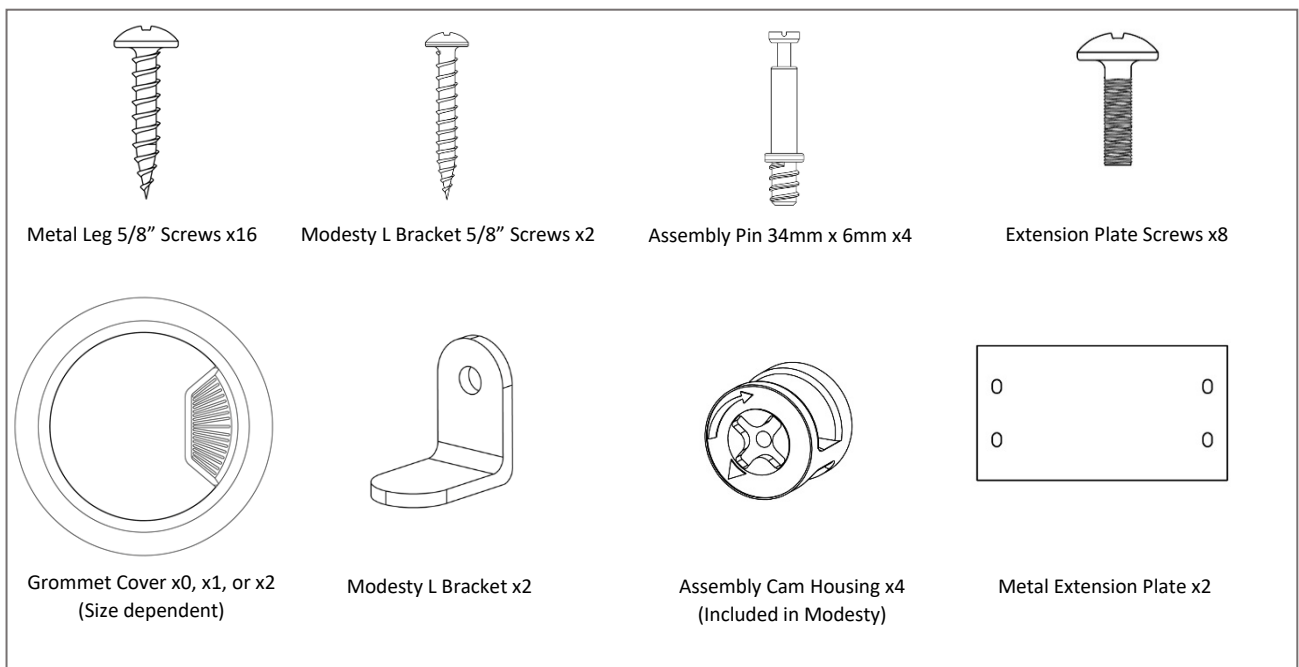
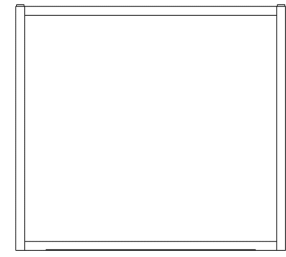


Modesty Panel



Desktop Legs x 2  
(Left)

Return Leg x1  
(Right)

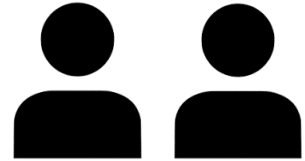


### **1. Your Workstation**

Find a flat, solid worksurface to begin construction. If possible, we recommend building your desk close to where you will end up placing it. To avoid damage to your floors or desktop, we also recommend repurposing your cardboard packaging to build on top of, or simply using a blanket for protection.

### **2. A Helping Hand**

For safety and ease of construction, we recommend two people.



### **3. Construction Timing**

We anticipate it taking 20 minutes to complete the construction of your desk



### **4. Suggested Tools**

Thanks to our pre-drilled guidance holes, you should only need a Phillips screwdriver to construct your desk. We do not recommend using a drill as over-drilling or missing a guide hole can damage your desk surface.



## Phase 1 | Preparing for Assembly

---

### Step 1

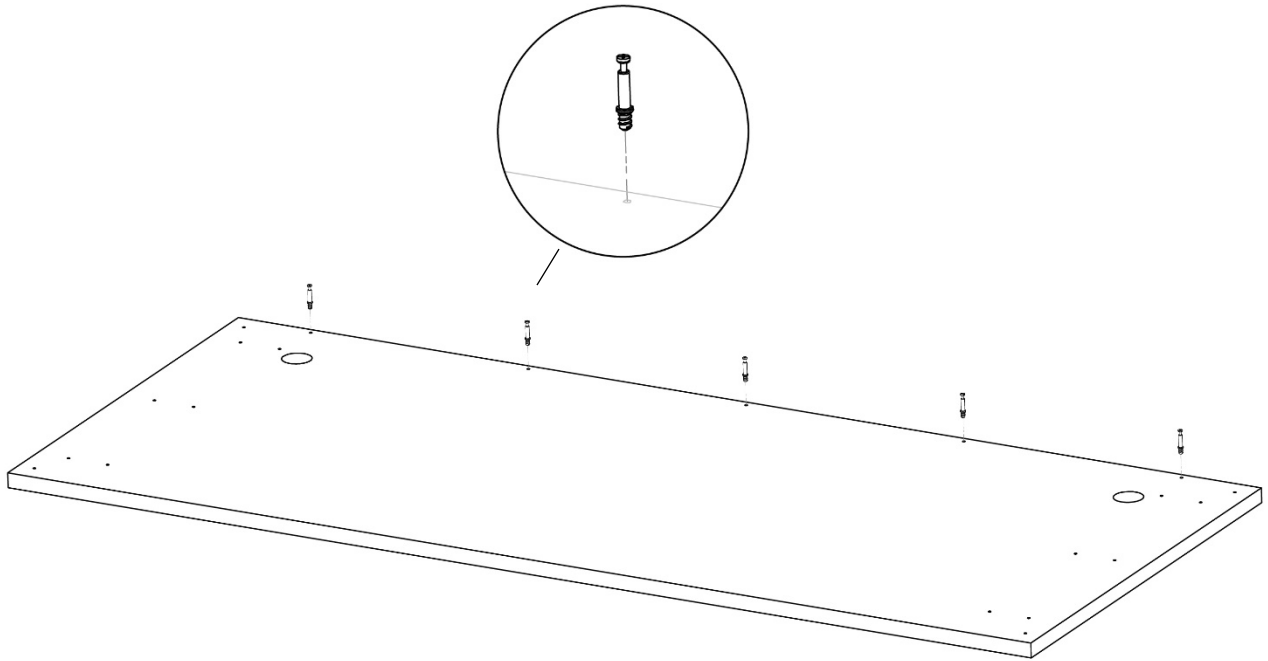
Place your desktop upside down on top of your worksurface so that the pre-drilled holes are facing up.



Assembly Pin 34mm x 6mm x4

### Step 2

Screw 5 Assembly Pins into metal screw sockets. This can be started by hand and finished with a Phillips screwdriver.



## Phase 2 | Attaching Modesty Panel

---

### Step 1

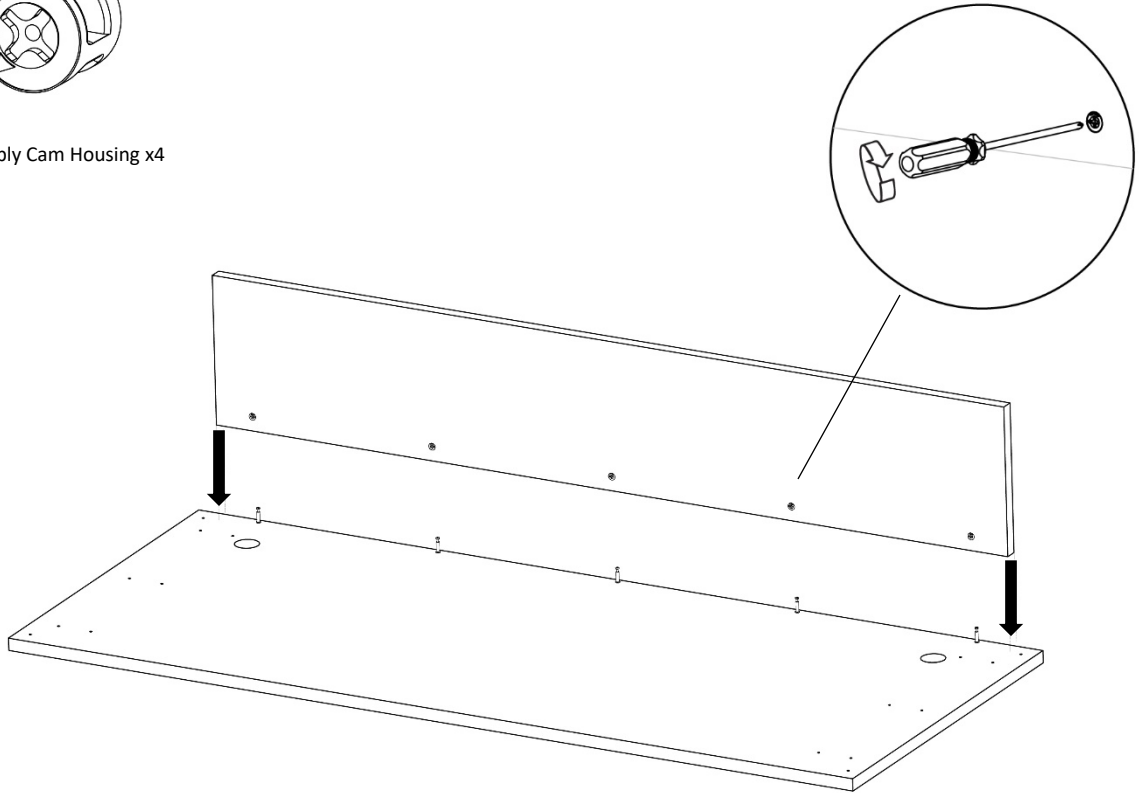
Ensure arrows on 5 Assembly Cam Housing units are facing Assembly Pins (down). Once complete, gently slide Modesty Panel onto Assembly Pins.



Assembly Cam Housing x4

### Step 2

Now that your Modesty Panel is sitting on Assembly Pins, use a Phillips head to turn Assembly Cam Housing units clockwise 90 degrees.



## Phase 3 | Attaching Legs

---

### Step 1

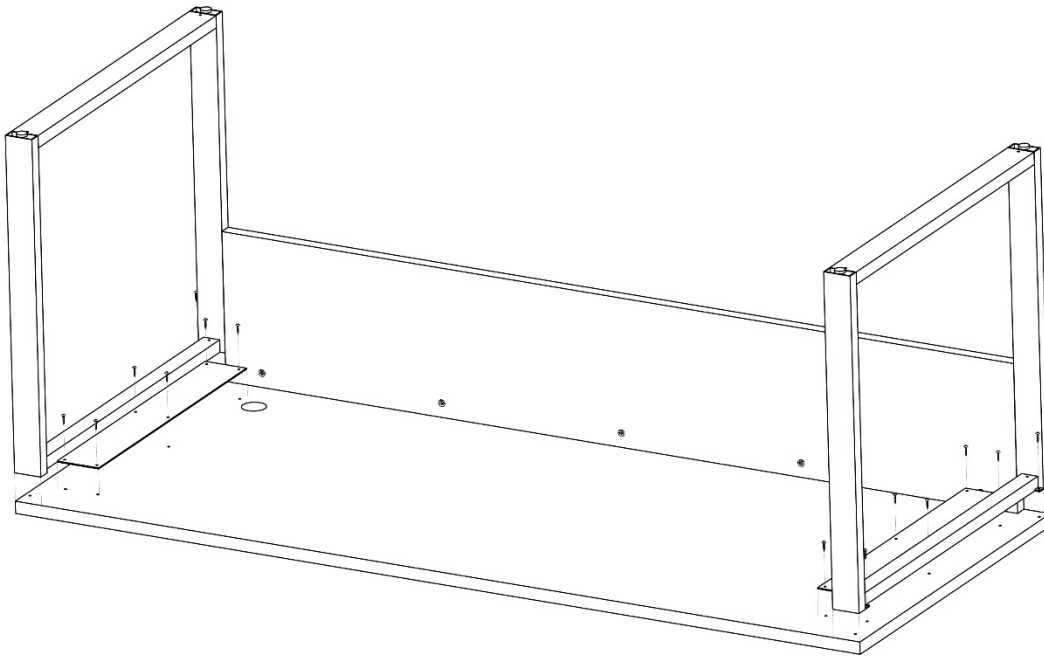
Set each leg on top of the 8 pre-drilled holes on each side of the desk. Make sure the metal plate of the leg is facing towards the inside of the desk.



Metal Leg 5/8" Screws x16

### Step 2

Screw in 16 Metal Leg screws using a Phillips Screwdriver while applying light pressure.



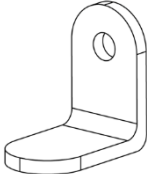
# Phase 4 | Attaching Modesty to Legs

## Step 1

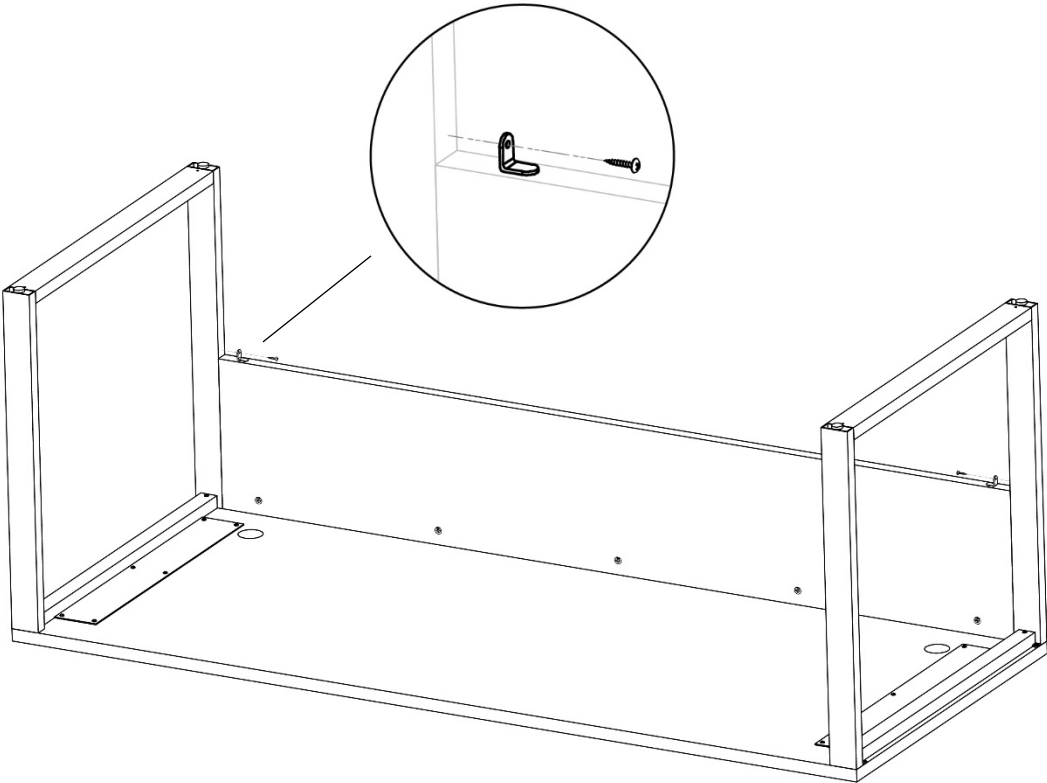
While applying light pressure, screw in Angle Bracket to connect Legs and Modesty panel.



Modesty L Bracket 5/8" Screws x2



Modesty L Bracket x2



# Phase 5 | Attaching Metal Extension Plate

## Step 1

Attach Metal Extension Plate to the underside of your desk using 2 Plate Extension Screws (flat bottom). At this point you may choose which side your return will be on.

## Step 2

With you Modesty, Legs, and Extension Plate attached, you may now flip your desk upright.

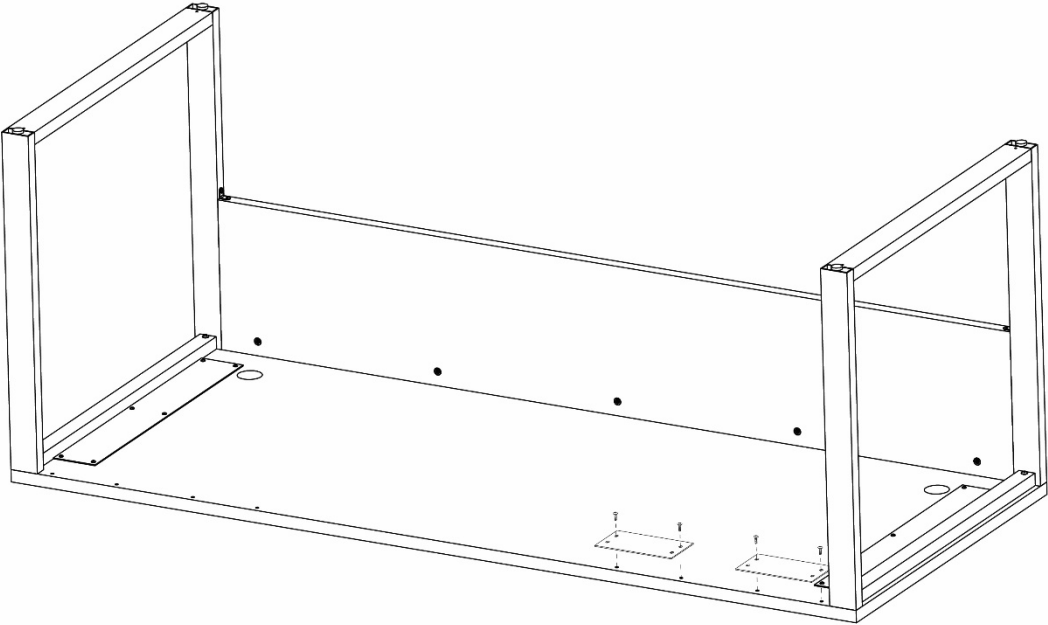
*Note: The return below is setup to be on the left of the office desk if you were to be sitting at the desk.*



Metal Extension Plate x2



Extension Screws x8



## Phase 6 | Attaching Legs to Return

---

### Step 1

With your return on the ground, set 24" metal leg on top of 8 pre-drilled holes.

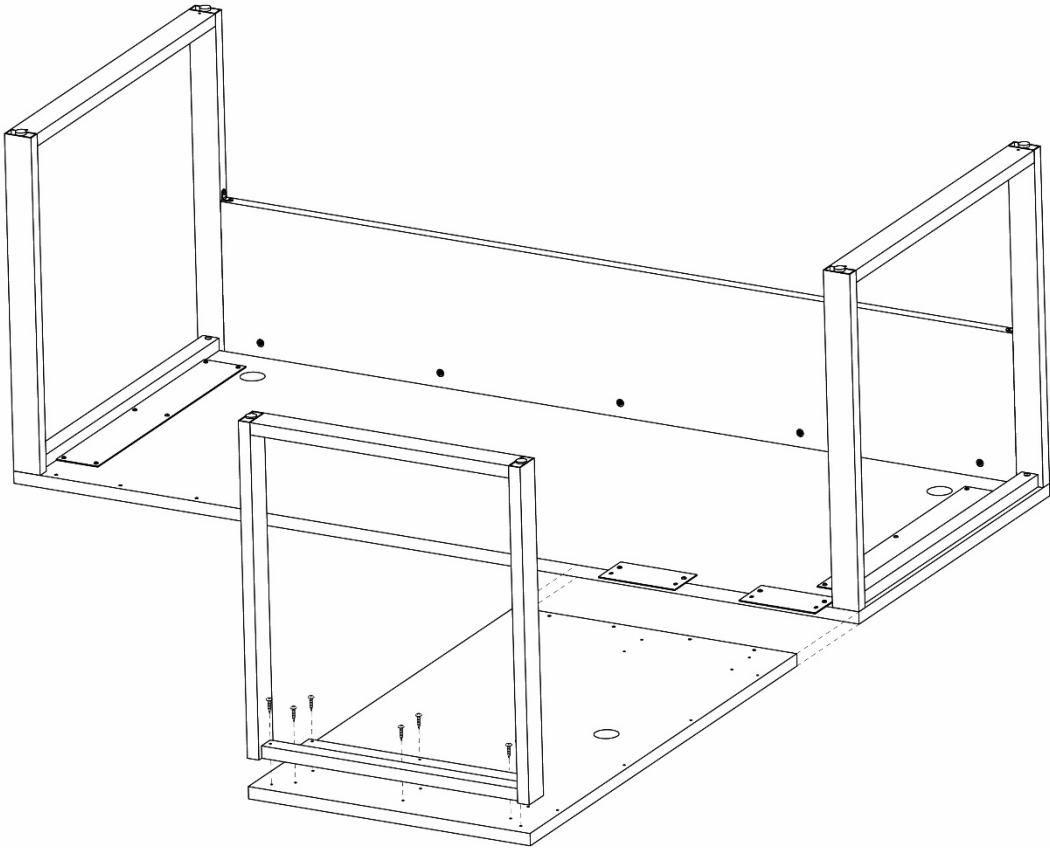
### Step 2

Screw in 8 metal screws using Phillips head screwdriver while applying light pressure.

*Note: The return below is setup to be on the left of the office desk if you were to be sitting at the desk.*



Metal Leg 5/8" Screws x8





## Phase 7 | Attaching Return

---

### Step 1

Flip your return upright and carefully set on top of Metal Extension Plates.

### Step 2

Screw in remaining 4 Metal Extension Plate Screws underneath your desk.

