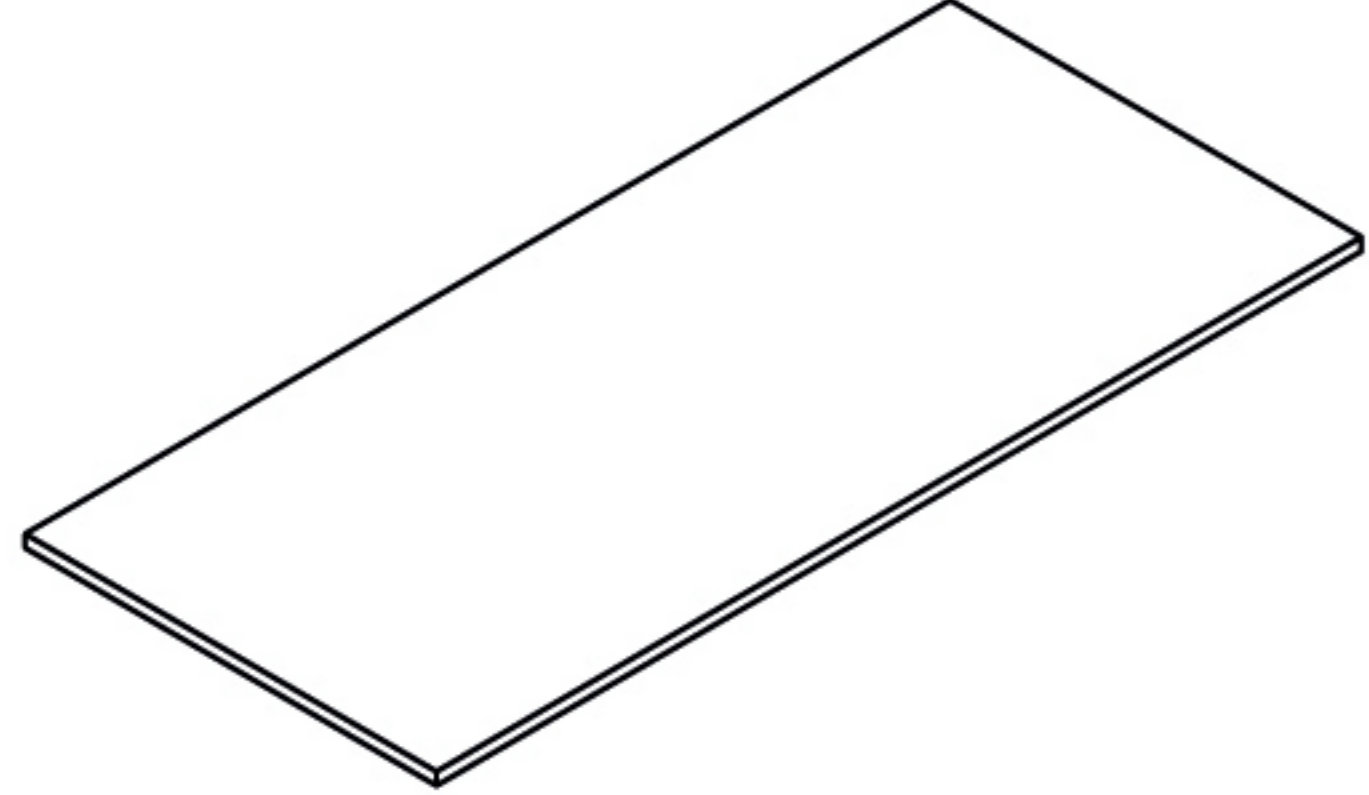
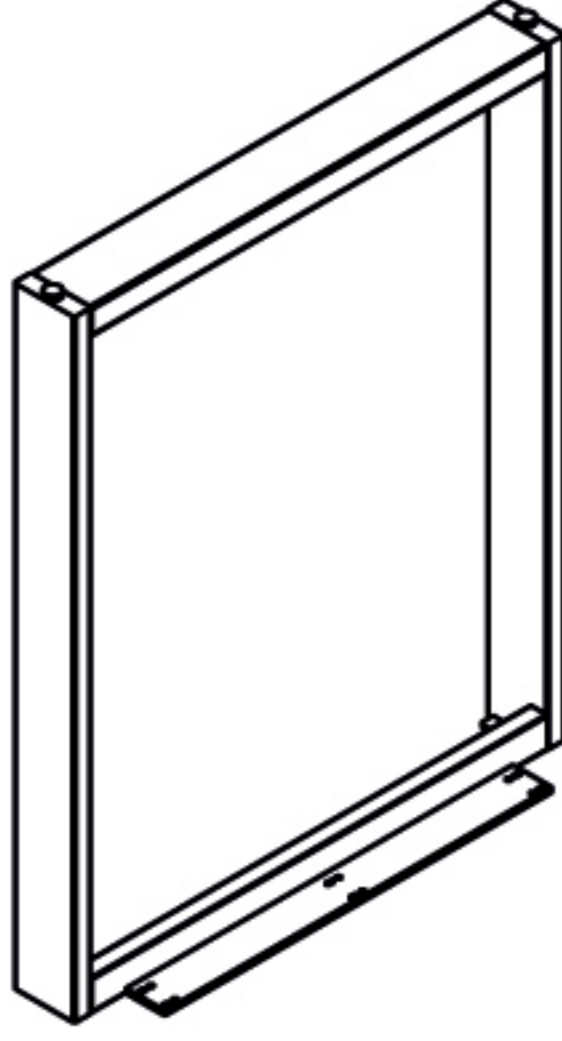
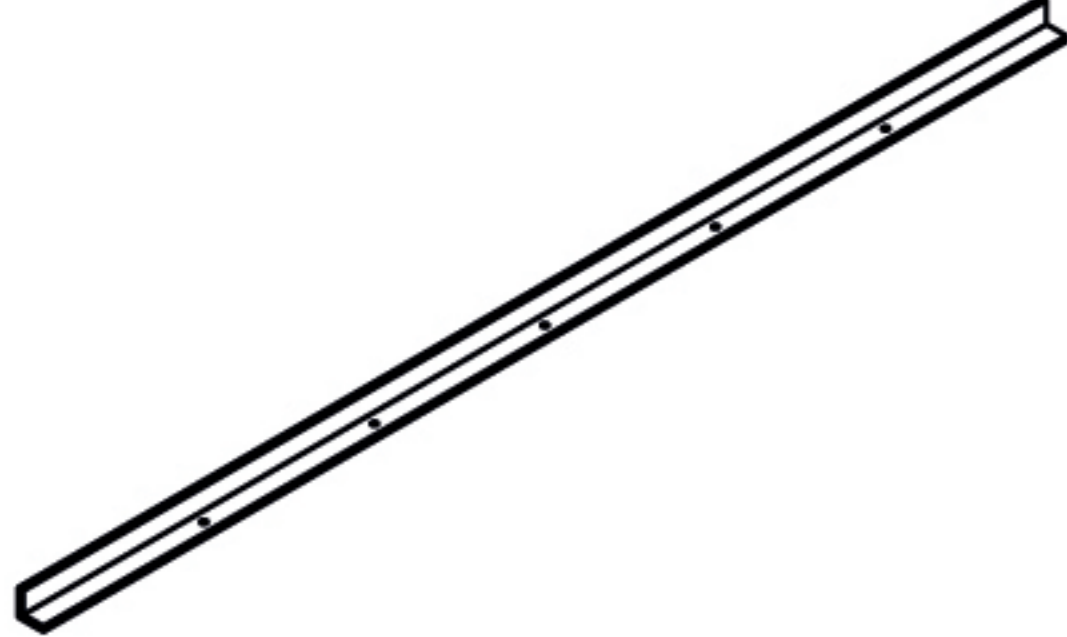
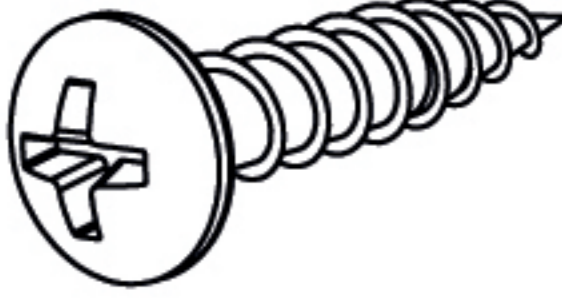
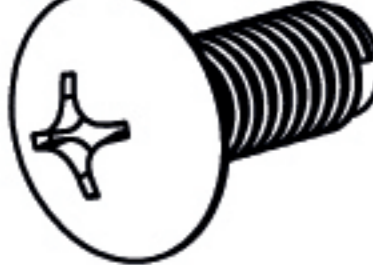


✓ P O R V A T A | ASSEMBLY INSTRUCTIONS

| No | Accessories | qty |
|-----|---|-----|
| (A) |  | 1 |
| (B) |  | 2 |
| (C) |  | 1 |
| (D) |  | 4 |
| (E) |  | 17 |

