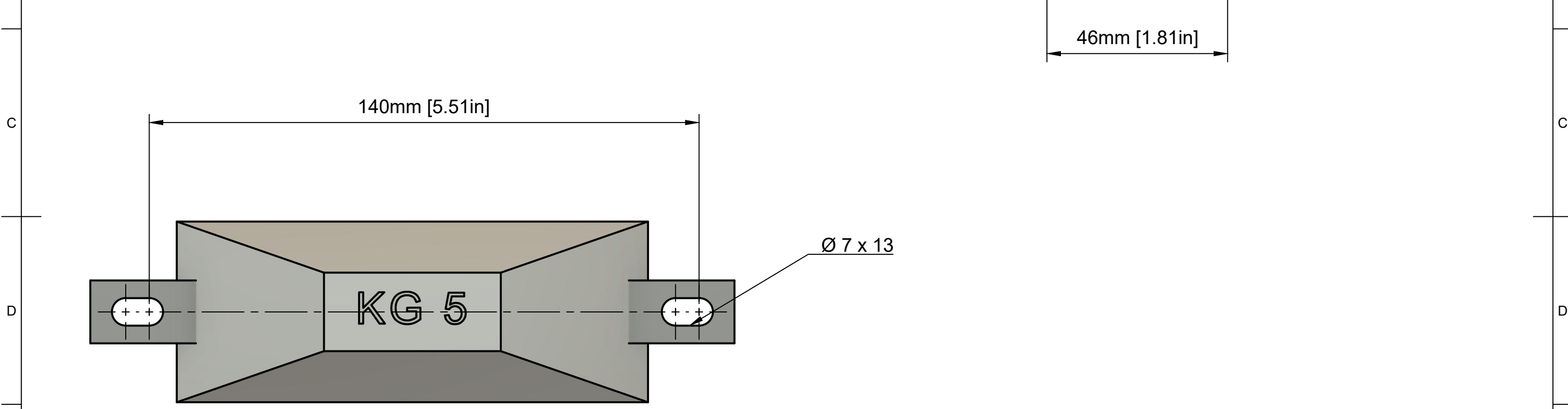
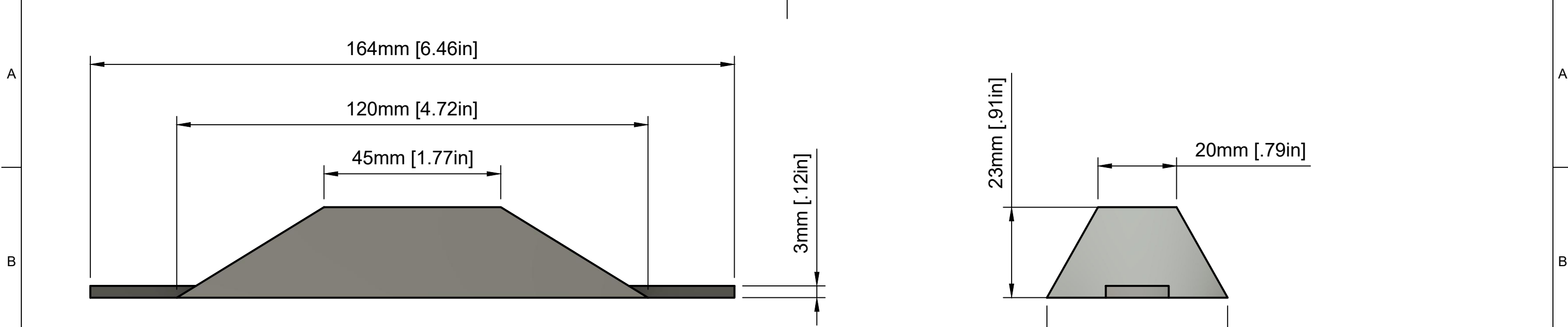



1 2 3 4 5 6 7 8



E

Copyright 2023 Korrosionsgruppen AB. All rights reserved. No part of this technical drawing may be reproduced, distributed, or transmitted in any form or by any means, including photocopying, recording, or other electronic or mechanical methods, without the prior written permission of the copyright holder.

GROSS WEIGHT	0.5 kg / 1.10 lb
NET WEIGHT	0.44 kg / 0.97 lb
ALLOY	KGS-Zn

Dept. TECH	Technical reference B110050	Created by Jacob	2023-01-29	Approved by HK	2023-01-30
 www.korrosionsgruppen.se		Document type DRAWING	Document status APPROVED		
		Title KGS [®] KG5 Zn Fe-insert	DWG No. B110020		Sheet 1/1
		Rev.	Date of issue 2023-01-30		

1 2 3 4 5 6 7 8