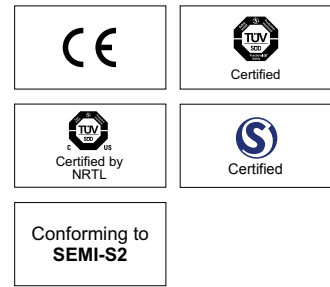


Compatible with Up to Control Category 4, PLe and SIL3

## Safety Liquid Leak Sensor

SQ4 SERIES



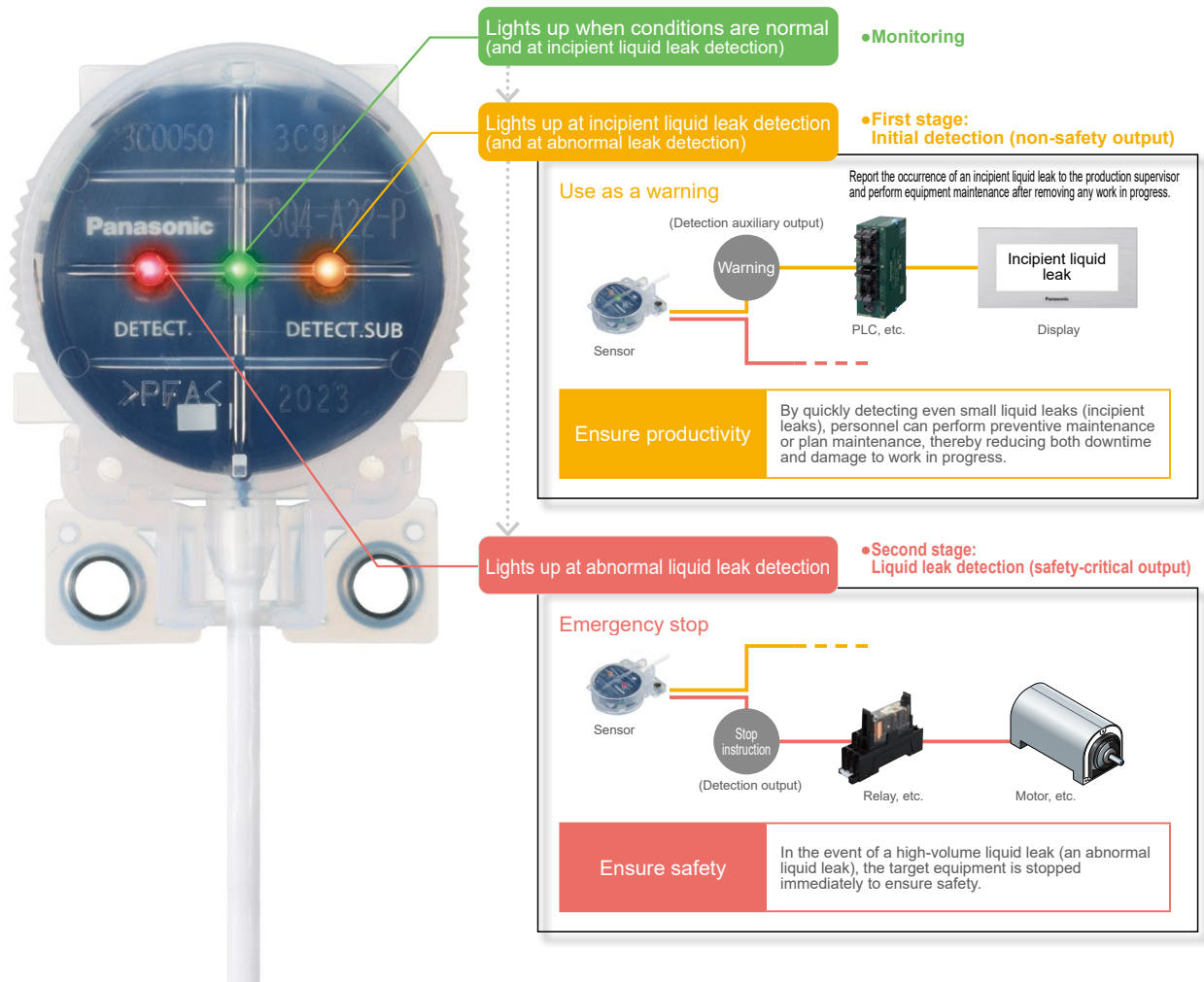


Category 4 PLe SIL3

The control category differs depending on the configuration and wiring of the external circuit.

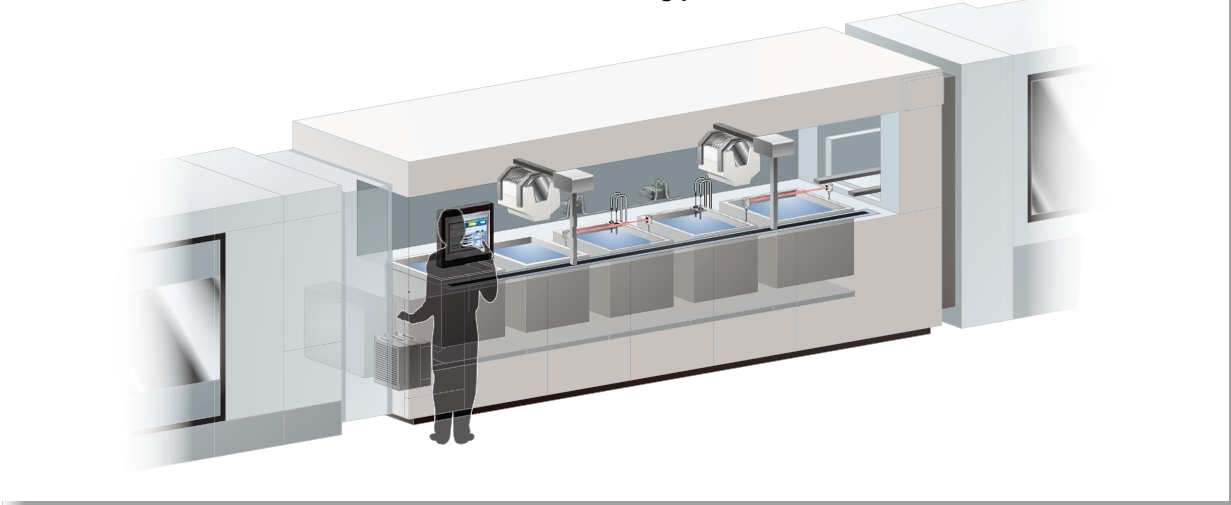
## Two-stage detection × Safety certification

### Improved productivity! Two-stage detection



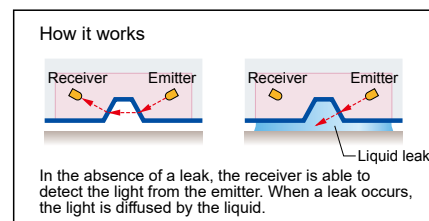
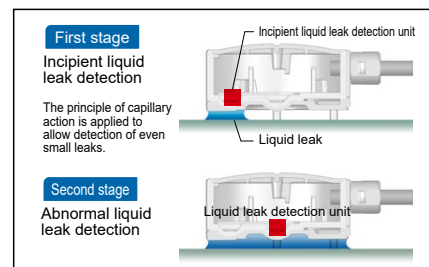
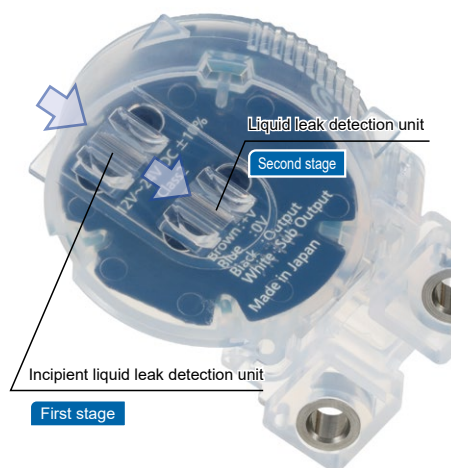
## APPLICATIONS

### Leak detection such as semi-conductive wafer wet etching process line



### Two-stage detection addresses both incipient liquid leaks (by generating a warning) and abnormal liquid leaks (by initiating an emergency stop).

On the bottom of the sensor are two detection units, one located at the front and one at the center. If a liquid leak occurs in front of the sensor, the front detection unit will detect even a small incipient leak. When the leak increases in volume and reaches the center of the sensor, it will be detected as an abnormal leak. While previous implementations of two-stage liquid leak detection have relied on two separate sensors installed at different heights, the **SQ4** delivers the same full-featured detection capability in a single sensor unit.



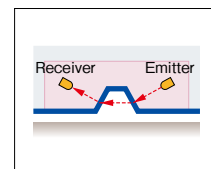
### The SQ4 can also detect human error (improper installation).

In addition to detecting liquid leaks, the **SQ4** can detect both human error (such as a failure to install the sensor) and sensor malfunctions. If the sensor itself or the sensor and its mounting bracket have become dislodged, have been improperly installed, or are suffering from a broken cable connection, light from the emitter will not reach the receiver, causing the device to generate the same output as if a liquid leak had occurred.

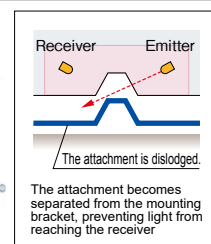
Knurling on the sides of the sensor head makes it easy to grip.



When conditions are normal  
Sensor light from the emitter is able to reach the receiver.



When the sensor has been installed improperly

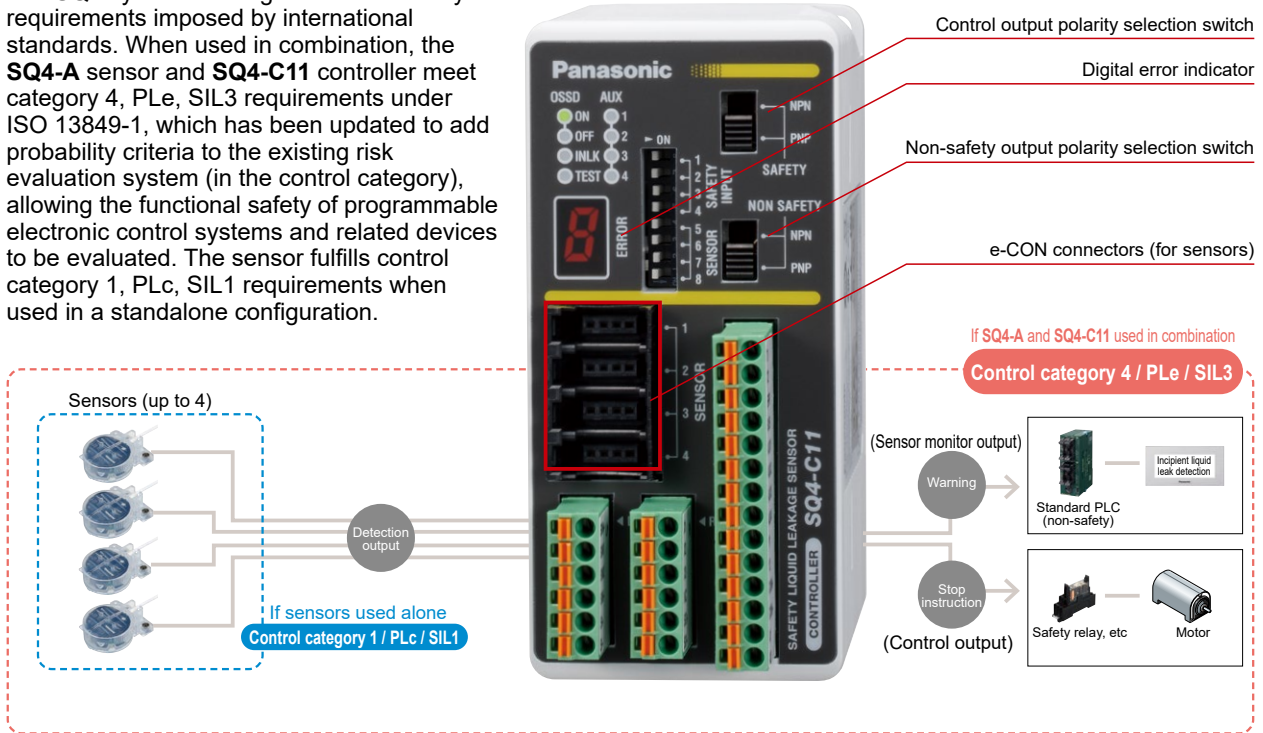


### The SQ4 can also be used alone.

The **SQ4** can also be used without a controller, allowing the benefits of two-stage detection to be added to existing equipment by augmenting or replacing existing detection systems.

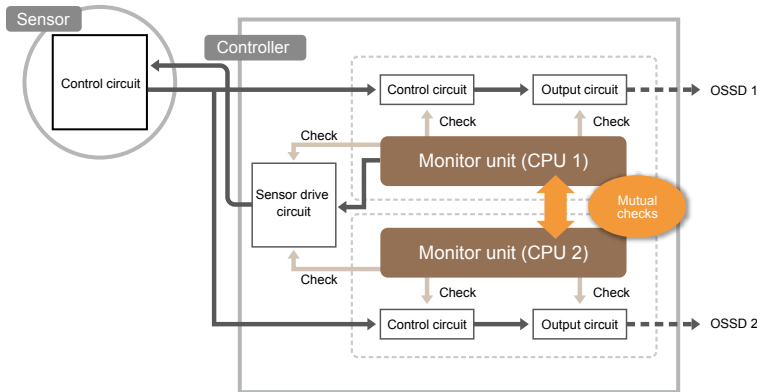
**Acquire safety certification.**  
**The SQ4 delivers safety performance of the highest caliber.**

The **SQ4** system is designed to fulfill safety requirements imposed by international standards. When used in combination, the **SQ4-A** sensor and **SQ4-C11** controller meet category 4, PLe, SIL3 requirements under ISO 13849-1, which has been updated to add probability criteria to the existing risk evaluation system (in the control category), allowing the functional safety of programmable electronic control systems and related devices to be evaluated. The sensor fulfills control category 1, PLc, SIL1 requirements when used in a standalone configuration.



**Dual CPUs deliver an advanced level of safety control.**

The controller's two independent CPUs mutually check the unit's operating state, and redundant signal processing and output circuits ensure safety. Failure mode and effects analysis (FMEA)\* further increases operational safety.



\*FMEA comprises a systematic method for analyzing latent failures and defects so that they can be prevented from manifesting themselves.

**ISO 13849-1**  
 PLr (Required performance level)  
 Performance level (PL) applied in order to achieve the required risk reduction

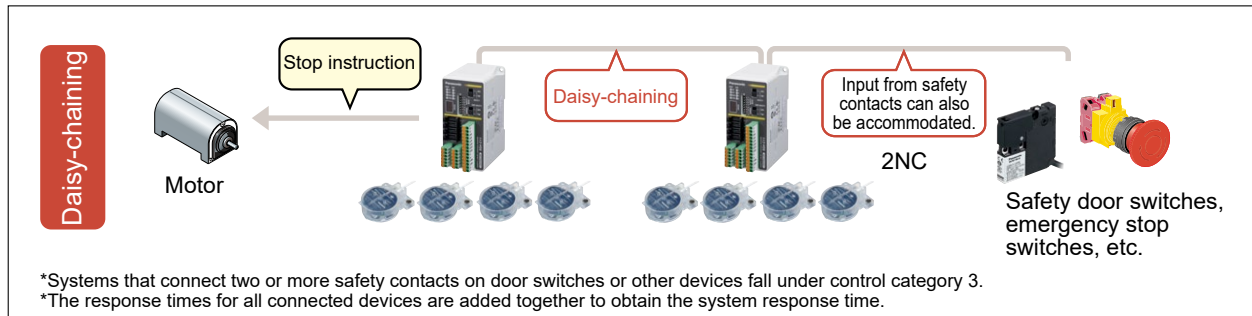
S: Severity of injury  
 S1: Slight (normally reversible injury)  
 S2: Serious (normally irreversible injury or death)

F: Frequency and/or exposure to hazard  
 F1: Seldom-to-less-often and/or the exposure time is short  
 F2: Frequent-to-continuous and/or the exposure time is long

P: Possibility of avoiding hazard or limiting harm  
 P1: Possible under specific conditions  
 P2: Scarcely possible

## Reduce wiring and lower costs by daisy-chaining controllers and other safety equipment.

The controller's safety input function can be used to connect wiring used to daisy-chain controllers together as well as input from safety contacts (2NC) on emergency stop switches, safety door switches, and other devices. In this way, safety output can be aggregated onto a single line to reduce safety circuit wiring and lower costs.



## PRODUCT CONFIGURATION

Whole set: Control category 4, PLe, SIL3

Sensor: Control category 1, PLc, SIL1

Sensor **SQ4-A2**□-□



Mounting bracket set **MS-SQ4-2**□  
 Attachment  
 Mounting bracket



Controller **SQ4-C11**

## ORDER GUIDE






### Sensors

Type	Appearance	Sensing object (Note 1)	Model No.	Output
For standard liquid	 Material: Polypropylene	Water etc.	<b>SQ4-A21-P</b>	PNP open-collector transistor
			<b>SQ4-A21-N</b>	NPN open-collector transistor
For chemical liquid	 Material: PFA	Sulfuric acid, Hydrochloric acid, Phosphoric acid, Ammonia, Fluorinert™ (Note 2), Galden® (Note 2) or Fluorine etc.	<b>SQ4-A22-P</b>	PNP open-collector transistor
			<b>SQ4-A22-N</b>	NPN open-collector transistor

Notes: 1) The agents mentioned above are examples. It may not be detected depending on viscosity the agent. Before using this device, check the detecting liquid and installation condition.  
 2) Fluorinert is the world wide trademark of 3M. Galden is the registered trademark of Solvay.

### Mounting bracket set

Make sure to purchase the sensor and controller as a set.

Type	Appearance		Sensing object	Model No.
	Attachment	Mounting bracket		
For standard liquid	 Material: Polypropylene	 Material: PVC	Water etc.	<b>MS-SQ4-21</b>
For chemical liquid	 Material: PFA	 Material: PFA	Liquids with comparatively high surface tension such as Sulfuric acid, Hydrochloric acid, Phosphoric acid, and Ammonia	<b>MS-SQ4-22</b>
		 Material: PVC	Liquids with comparatively low surface tension such as Fluorinert™ (Note), Galden® (Note), and Hydrogen fluoride	<b>MS-SQ4-23</b>
			Liquids such as low-concentration hydrogen fluoride	<b>MS-SQ4-24</b>

Note: Fluorinert is the world wide trademark of 3M. Galden is the registered trademark of Solvay.

### Connectors

Make sure to purchase the connector when using the controller.


Designation	Model No.	Description
Hook-up connector (e-CON)	<b>CN-EP2</b>	For <b>SQ4-A21</b> □ (PVC cable) It is used to connect to the controller. Yellow <span style="border: 1px solid black; padding: 2px;">5 pcs. per set</span>
	<b>CN-EP3</b>	For <b>SQ4-A22</b> □ (PFA cable) It is used to connect to the controller. Orange <span style="border: 1px solid black; padding: 2px;">5 pcs. per set</span>

### Hook-up connector

• CN-EP2 • CN-EP3



### Controller

Type	Appearance	Model No.	Description
Safety controller		<b>SQ4-C11</b>	Up to 4 safety liquid leak sensors can be connected. Control Category 4, PLe, SIL3

## SPECIFICATION

### Sensors

Item	Model No.	Type	For standard liquid	For chemical liquid
		PNP output	<b>SQ4-A21-P</b>	<b>SQ4-A22-P</b>
		NPN output	<b>SQ4-A21-N</b>	<b>SQ4-A22-N</b>
CE marking directive compliance	Machinery Directive, EMC Directive, RoHS Directive			
Sensing object (Note 2)	Water (Standard liquid) (Note 3)		Sulfuric acid, Hydrochloric acid, Phosphoric acid, Ammonia, Fluorinert™ (Note 4), Galden® (Note 4), Hydrofluoric acid etc. (Note 3)	
Supply voltage	12 to 24 V DC ±10 % Ripple P-P 10 % or less			
Current consumption	30 mA or less			
Utilization category	DC-12, DC-13			
Detection output (Leakage detection)	<PNP output type> PNP open-collector transistor • Maximum source current: 50 mA • Applied voltage: Same as the supply voltage (between detection output and +V) • Residual voltage: 2.5 V or less (at 50 mA source current)		<NPN output type> NPN open-collector transistor • Maximum sink current: 50 mA • Applied voltage: Same as the supply voltage (between detection output and 0 V) • Residual voltage: 2 V or less (at 50 mA sink current)	
	Response time	10 ms or less		
	Output operation	ON when normal condition or initial detection, OFF when detection leakage or wrong installation		
	Short-circuit protection	Incorporated		
Detection auxiliary output (Initial detection)	<PNP output type> PNP open-collector transistor • Maximum source current: 50 mA • Applied voltage: Same as the supply voltage (between detection auxiliary output and +V) • Residual voltage: 2.5 V or less (at 50 mA source current)		<NPN output type> NPN open-collector transistor • Maximum sink current: 50 mA • Applied voltage: Same as the supply voltage (between detection auxiliary output and 0 V) • Residual voltage: 2 V or less (at 50 mA sink current)	
	Response time	50 ms or less		
	Output operation	ON when normal condition, OFF when initial detection or accidental leakage		
	Short-circuit protection	Incorporated		
Protection	IP65 / IP67 (IEC)			
Ambient temperature	-10 to +55 °C <b>+14 to +131 °F</b> (No dew condensation or icing allowed) (Note 5), Storage: -10 to +55 °C <b>+14 to +131 °F</b>			
Ambient humidity	35 to 85 % RH, Storage: 35 to 85 % RH			
Emitting element	Infrared LED (modulated)			
Material	Enclosure: Polypropylene		Enclosure: PFA	
Cable	0.18 mm <sup>2</sup> 4-core PVC cabtyre cable, 2 m <b>6.562 ft</b> long		0.1 mm <sup>2</sup> 4-core PFA cabtyre cable, 2 m <b>6.562 ft</b> long	
Weight	Net weight: 45 g approx., Gross weight: 110 g approx.			

Notes: 1) Where measurement conditions have not been specified precisely, the conditions used were an ambient temperature of +20 °C **+68 °F**.

2) Highly viscous liquid may not be stably detected.

3) The agents mentioned above are examples. It may not be detected depending on viscosity the agent.  
Before using this device, check the detecting liquid and installation condition.

4) Fluorinert is the world wide trademark of 3M. Galden is the registered trademark of Solvay.

5) Liquid being detected should be also kept within the rated ambient temperature range.

## SPECIFICATION

### Controller

Item	Model No.	SQ4-C11
CE marking directive compliance		Machinery Directive, EMC Directive, RoHS Directive
Applicable standards	International standard	ISO 13849-1 (Category 4, PL <sub>e</sub> ), IEC 61508-1 to 7 (SIL3)
	Japan	JIS B 9705-1 (Category 4), JIS C 0508-1 to 7 (SIL3)
	Europe (Note 2)	EN 55011 Class A, EN 61000-6-2, EN 50178, EN ISO 13849-1 (Category 4, PL <sub>e</sub> ), EN 61508-1 to 7 (SIL3)
	North America (Note 3)	ANSI/UL 508, CAN/CSA C22.2 No.14
	South Korea	S1-G-1, S2-W-5, KS C IEC 60947-5-2
	SEMI	Conforming to SEMI-S2-0310a
Power voltage		24 V DC <sup>+10</sup> / <sub>-15</sub> % Ripple P-P 10 % or less
Consumption current		200 mA or less
Control output [OSSD 1 (Y1), OSSD 2 (Y2)]		PNP open-collector transistor / NPN open-collector transistor (switch method) <Selecting PNP output> • Maximum source current: 200 mA • Applied voltage: Same as power voltage (between control output to +V) • Residual voltage: 2.5 V or less (at 200 mA source current)
		<Selecting NPN output> • Maximum sink current: 200 mA • Applied voltage: Same as power voltage (between control output to 0 V) • Residual voltage: 2.0 V or less (at 200 mA sink current)
	Response time	20 ms or less (excluding the response time of the sensor)
	Operation mode (Output operation)	ON when normal condition or initial detection, OFF when detection leakage or wrong installation
	Protection circuit (Short-circuit protection)	Incorporated
Utilization category		DC-12, DC-13
Sensor monitor output (AUX1, 2, 3, 4, Non-safety output)		PNP open-collector transistor / NPN open-collector transistor (switch method) <Selecting PNP output> • Maximum source current: 60 mA • Applied voltage: Same as power voltage (between sensor monitor output to +V) • Residual voltage: 2.5 V or less (at 60 mA source current)
		<Selecting NPN output> • Maximum sink current: 60 mA • Applied voltage: Same as power voltage (between sensor monitor output to 0 V) • Residual voltage: 2.0 V or less (at 60 mA sink current)
	Response time	100 ms or less (excluding the response time of the sensor)
	Operation mode (Output operation)	ON when normal condition, OFF when initial detection or accidental leakage
	Protection circuit (Short-circuit protection)	Incorporated
Utilization category		DC-12, DC-13
Lockout output		OFF for lockout (Rating: Same as sensor monitor output)
Auxiliary output		Negative logic output of control output 1/2 (OSSD 1/2) (Rating: Same as sensor monitor output) [Auxiliary output ON when control output 1/2 (OSSD 1/2) is OFF]
Functions		Interlock / lockout cancel / Test input / External device monitor / Safety input / Control output polarity selection / Non-safety output polarity selection / Sensor connection number setting
Protection		IP20 (IEC) (However, it should be in IP54 protection structure of control panel)
Ambient temperature		-10 to +55 °C +14 to +131 °F (No dew condensation or icing allowed), Storage: -20 to +70 °C -4 to +158 °F
Ambient humidity		35 to 85 % RH, Storage: 35 to 85 % RH
PFHd		When PNP output is selected: $1.89 \times 10^{-9}$ (when connecting 4 safety liquid leak sensors) When NPN output is selected: $1.80 \times 10^{-9}$ (when connecting 4 safety liquid leak sensors)
MTTFd		100 years or more
Material		Main unit case: PC+ABS (alloy)
Weight		Net weight: 170 g approx., Gross weight: 440 g approx.

Notes: 1) Where measurement conditions have not been specified precisely, the conditions used were an ambient temperature of +20 °C +68 °F.

PFHd: Probability of dangerous failure per hour, MTTFd: Mean time to dangerous failure (in years)

2) Regarding EU Machinery Directive, a Notified Body, TÜV SÜD, has certified with the type examination certificate.

3) With regards to the standards in the US, under the US regulation 29 CFR 1910.7, TÜV SÜD America, a Nationally Recognized Testing Laboratory (NRTL) certified by OSHA, has certified with the safety certificate based on UL / ANSI standards.

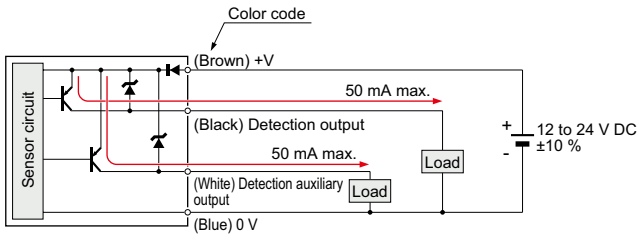
With regards to the standards in Canada, under the safety regulations based on CEC (Canadian Electric Code), TÜV SÜD America, a Certification Body accredited by SCC, has certified with the safety certificate based on CSA standards.



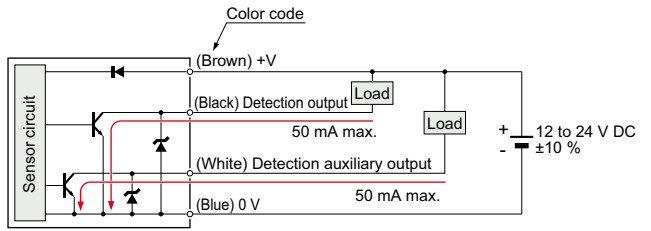
## I/O CIRCUIT AND WIRING DIAGRAMS

### Sensors

#### SQ4-A□-P PNP output type



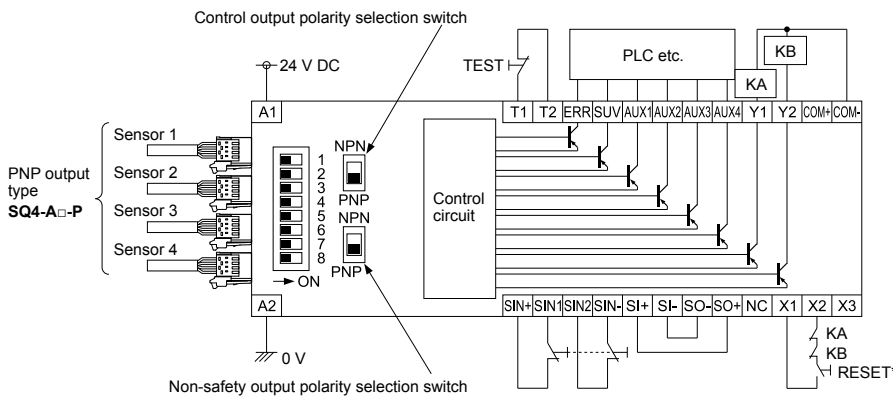
#### SQ4-A□-N NPN output type



### Controller

#### SQ4-C11 Controller

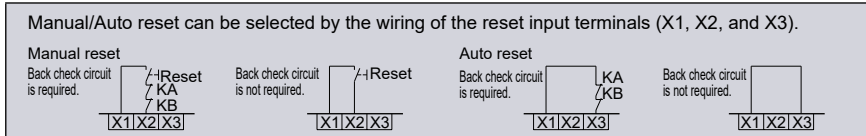
##### For operation with PNP output



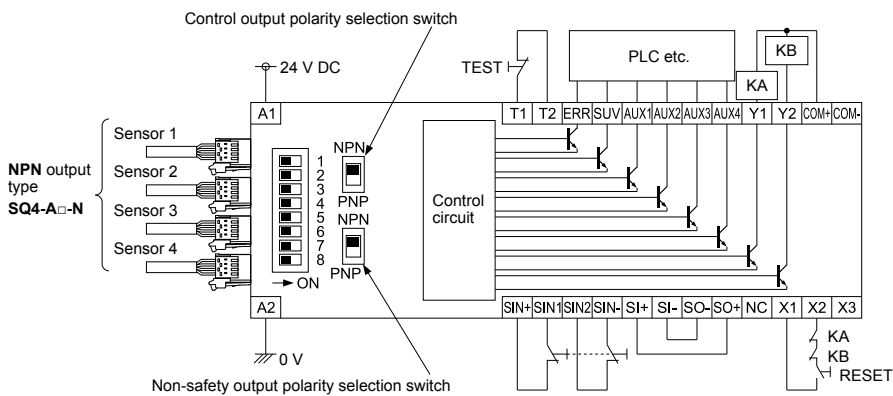
KA, KB: External devices

(Forced guide relay, magnet contactor or monitored valve)

##### \*RESET



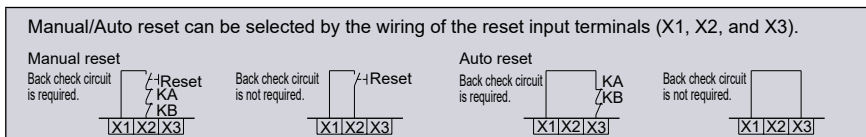
##### For operation with NPN output



KA, KB: External devices

(Forced guide relay, magnet contactor or monitored valve)

##### \*RESET



## PRECAUTIONS FOR PROPER USE



- This product is a sensor for detecting leak of fluids.
- When this product is used with safety devices, construct the system such that the device itself.

- Before using this device, check whether the device performs properly with the functions and capabilities as per the design specifications.
- Avoid using this device in an explosive atmosphere because this product does not have an explosive-proof protective construction.

### Installation



- There is the detection mount difference by directivity of a liquid leakage. When there are a direction from which a liquid leakage happens, and an inclination, please install the nose-of-cam side (opposite side of a cable) of a sensor towards a top.
- Use the mounting bracket **MS-SQ4-□** (optional) which suits the liquid to detect.
- Periodical checking of operation is recommended with the liquids which are not dangerous (water, alcohol, etc.).
- The amount of detection may change with the conditions of the installation surface.
- Be sure to use the mounting bracket **MS-SQ4-□** (optional) when installing this device to avoid human error, etc. Reliable detection cannot be guaranteed when this sensor is used alone.

### Maintenance

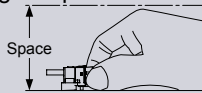


- Before conduct maintenance, be sure that the system is in safety state.
- When using chemical liquid, use proper protections such as groves, masks, goggles, helmets etc. When using protections, be sure to read manuals of them and use properly.
- Dispose or reinstall in different environment, flush with DI water.

### Mounting

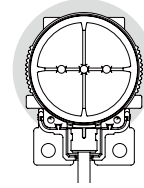


- Keep enough space for maintenance when mounting this product.



### Leakage detection condition and variation factor

- Leak detection part of this product properly detects the leakage in the following condition.
  1. Detection range: Area except backward of this product (liquid must enter to the detection range)
  2. Material of installation surface: Hard vinyl chloride or Stainless steel
  3. Surface condition for installation: Glossy surface (surface roughness: corresponding 0.4  $\mu\text{mRa}$ ) and clean surface.
  4. Installation surface angle: Horizontal



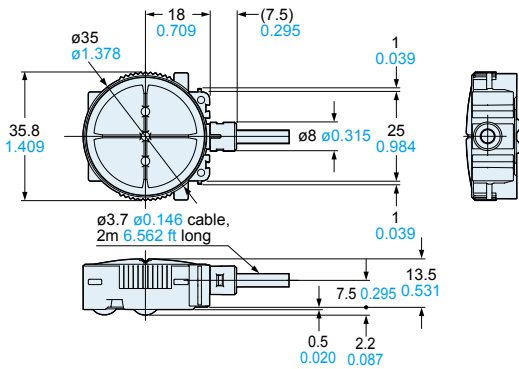
Detection range

- This product may not detect properly liquid in following element.
  1. Liquid kind, consistency (surface tension) and air bubble incorporation.
  2. Material, roughness, angle, dirtiness and liquid absorption of surface of installed surface of sensor.
  3. Wrong selection of dedicated mounting bracket.
- Check the detecting liquid and the installation condition before use.

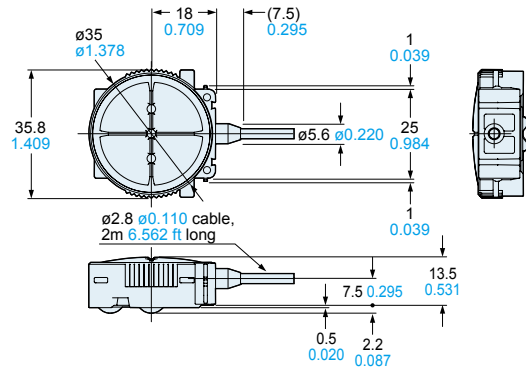
**DIMENSIONS (Unit: mm in)**

The CAD data can be downloaded from our website.

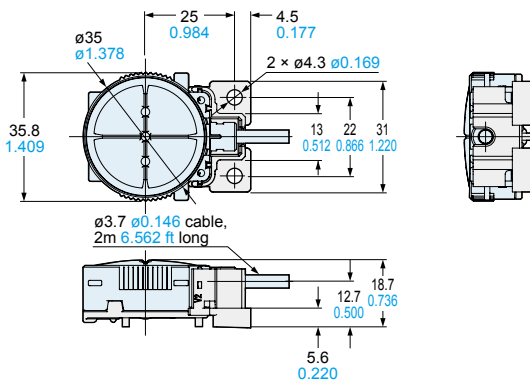
**SQ4-A21-□** Sensor



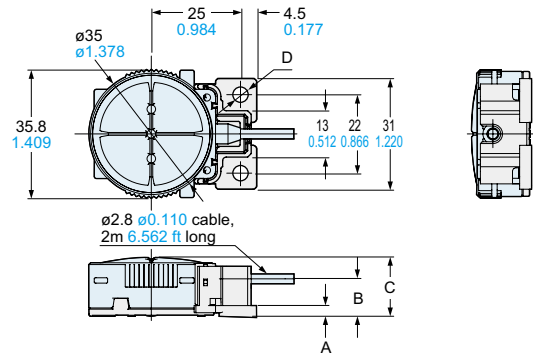
**SQ4-A22-□** Sensor



**Assembly dimensions with mounting bracket for MS-SQ4-21**



**Assembly dimensions with mounting bracket**

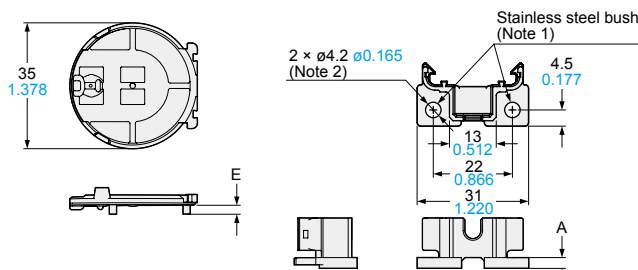


Mounting bracket set model No.	A	B	C	D
<b>MS-SQ4-22</b>	5.4 0.213	12.7 0.500	18.7 0.736	2 × ø4.2 ø0.165
<b>MS-SQ4-23</b>	3.4 0.134	10.5 0.413	16.5 0.650	2 × ø4.3 ø0.169
<b>MS-SQ4-24</b>	5.6 0.220	12.7 0.500	18.7 0.736	2 × ø4.3 ø0.169

**MS-SQ4-□** Mounting bracket set

**Attachment**

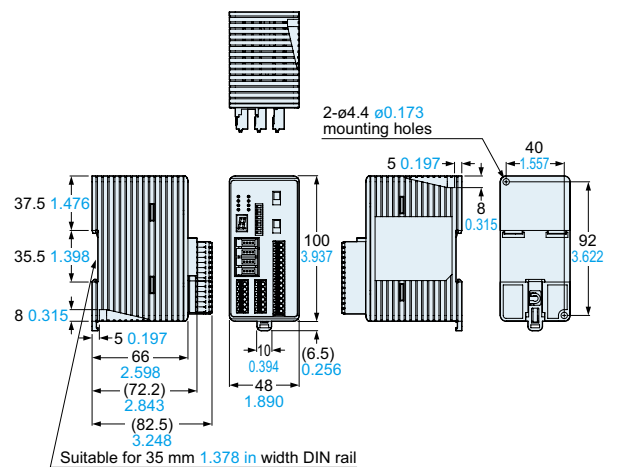
**PVC / PFA mounting bracket**



Mounting bracket set model No.	A	E
<b>MS-SQ4-21</b>	5.6 0.220	2.5 0.098
<b>MS-SQ4-22</b>	5.4 0.213	2.5 0.098
<b>MS-SQ4-23</b>	3.4 0.134	0.3 0.012
<b>MS-SQ4-24</b>	5.6 0.220	2.5 0.098

Notes: 1) Drawing above is for PFA mounting bracket.  
 PVC mounting brackets do not incorporate stainless steel bushes.  
 2) The size of mounting holes of PVC mounting bracket is ø4.3 mm ø0.169 in

**SQ4-C11** Controller



Suitable for 35 mm 1.378 in width DIN rail

## Disclaimer

The applications described in the catalog are all intended for examples only. The purchase of our products described in the catalog shall not be regarded as granting of a license to use our products in the described applications. We do NOT warrant that we have obtained some intellectual properties, such as patent rights, with respect to such applications, or that the described applications may not infringe any intellectual property rights, such as patent rights, of a third party.

**Panasonic**  
INDUSTRY

**Panasonic Industry Co., Ltd.**

Industrial Device Business Division  
7-1-1, Morofuku, Daito-shi, Osaka 574-0044, Japan  
[industrial.panasonic.com/ac/e/](http://industrial.panasonic.com/ac/e/)