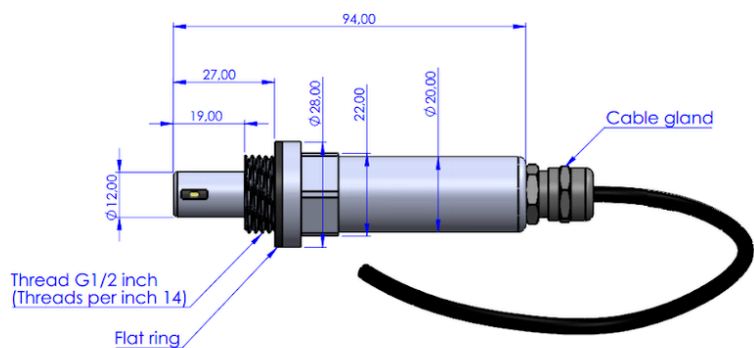


Liquisens multi-parameter sensor probe



Specification pH/Temperature probe [↗](#)

pH	
Sensor	Glass-free Ion Sensitive Field Effect Transistor (ISFET) semiconductor
Range	pH 0.00 ... 14.00
Accuracy	+/- 0.02 pH
Resolution	0.01 pH
Calibration	at factory 1-, 2-, 3-points calibration Retroactive cloud calibration possible
Automated Temperature Compensated (ATC) calibration	Yes
Reference system	
Type	Non-flow
Reference solution	Gelled KCl
Diaphragm	Porous PTFE
Temperature	
Sensor	NTC
Accuracy	1%
Resolution	0.1°C (0.1 F)
Range	0...80 °C (32 ... 176°F)

Specification Electrical conductivity (EC) probe [↗](#)

EC	
Sensor	4-electrode EC sensor
Cell constant K (typical)	3.89 cm ⁻¹
Range	50 ... 111,800 µS/cm
Accuracy within 1 %	50 ... 12,880 µS/cm
Accuracy within 10%	50 ... 111,800 µS/cm

Resolution (50 ... 12,880 $\mu\text{S/cm}$)	0.0005 $\mu\text{S/cm}$
Resolution (50 ... 111,800 $\mu\text{S/cm}$)	0.05 $\mu\text{S/cm}$
Calibration	at factory 1-points calibration
Automatic Temperature Compensated (ATC) calibration	Yes

Specification ORP probe [↗](#)

Oxidation-Reduction Potential (ORP)	
Range	-2,000 ... + 2,000 mV
Accuracy	+/- 0.2 mV
Resolution	0.1 mV



liquisens

remote pH, ORP, EC, Temp sensing

plug & play end-to-end water quality monitoring system



multi-parameter sensor probe

- robust, thanks to their PEEK / ABS housing material.
- dry storage resistable, which is highly advantageous for applications outside the clean laboratory.
- accurate and not affected by temperature changes.
- available for in-line monitoring or floating buoy.



IoT device for up to 4 sensor probes

Reporter® is a wireless sensor device for remote monitoring and the Internet of Things. Connect any combination of sensors and enjoy real-time data wherever you are.

