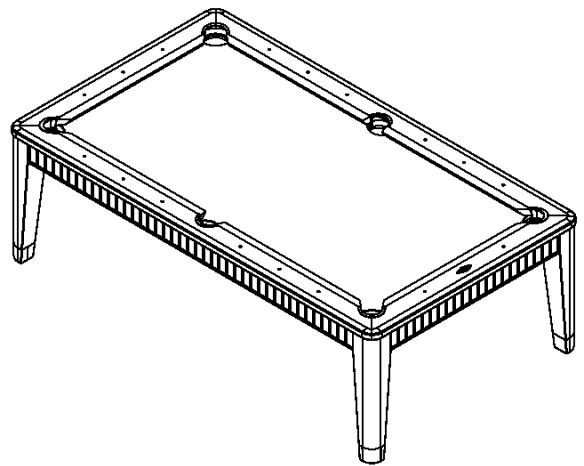
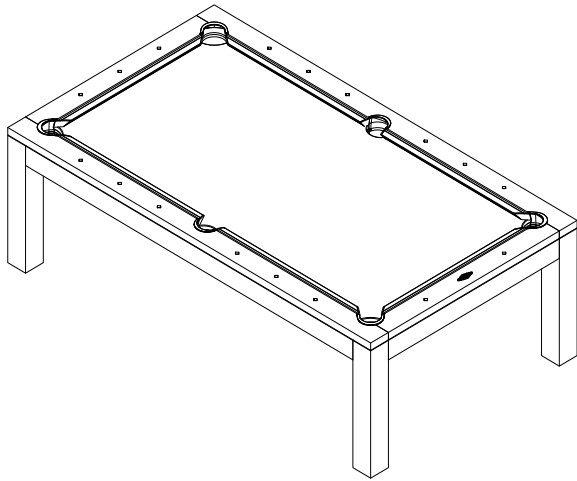


Sanibel™

The Henderson™

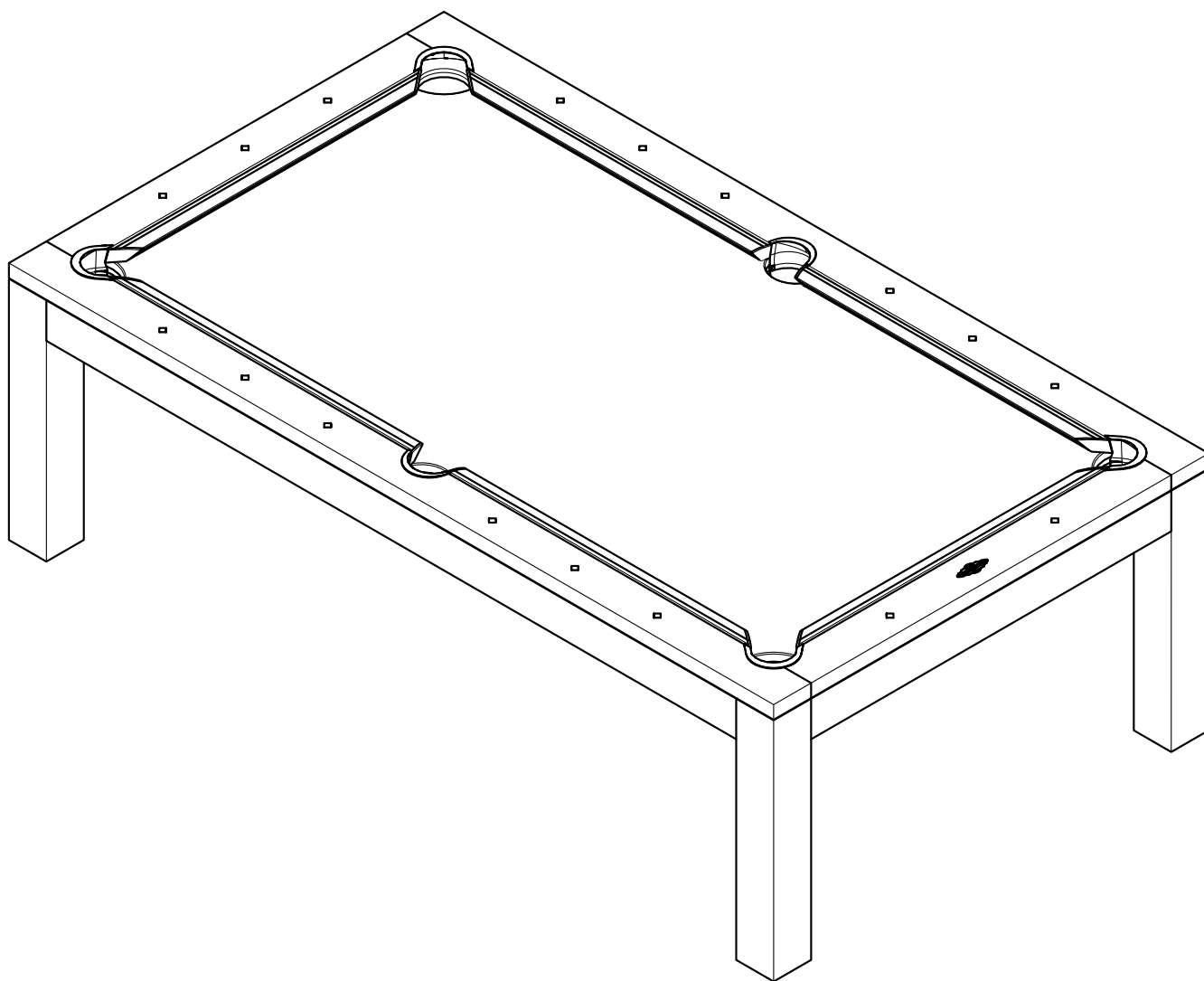


POCKET BILLIARD TABLE INSTALLATION MANUAL



www.brunswickbilliards.com
SERVICE DEPARTMENT P.O. BOX 68 BRISTOL, WI 53104
EMAIL: BRUNSWICKSERVICE@BRUNSWICKBILLIARDS.COM

NOTE: Please use the instructions in this manual to assemble the table shown.
Also note that careful handling of all components will assure
damage-free assembly.



BASE FRAME AND LEG ASSEMBLY

SANIBEL / THE HENDERSON

FIGURE ONE

Step #1: Layout two side sill beams, two center cross supports and two end cross supports upside-down as shown in Figure One.

***Note:* Use sufficient floor protection between all components and the floor to prevent any damage.

Step #2: Using (8) 1/2-13UNC X 3 Hex Bolts, (8) 1/2 Ext. Tooth Lock Washers and (8) Flat Washers, assemble frame and fully tighten hardware.

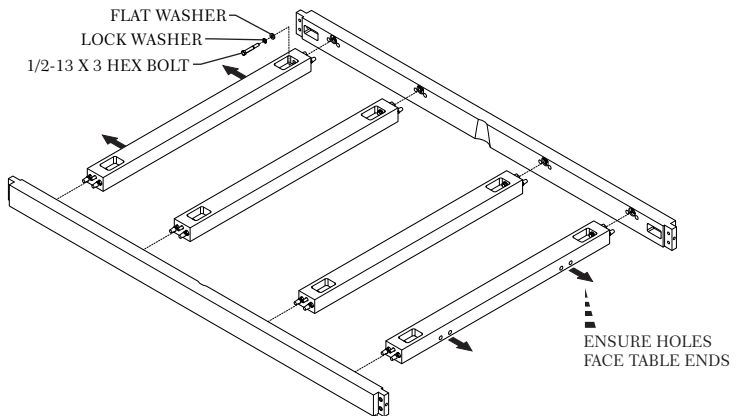


FIGURE TWO

FIGURE TWO

Step #3: (Requires Two People) Flip assembly over so that it is right-side up as shown in Figure Two.

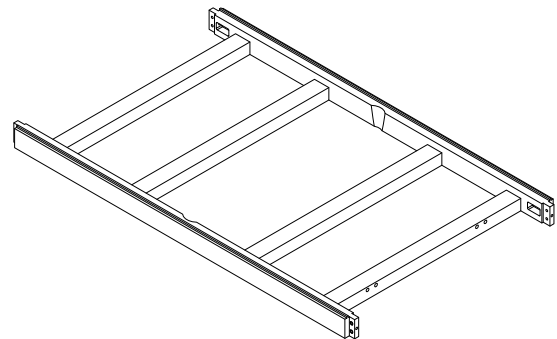


FIGURE TWO

FIGURE THREE

Step #4: Loosely assemble one end sill beam and two leg posts using (2) 3/8-16UNC X 3-1/4 Hex Bolts, (2) 3/8 Ext. Tooth Lock Washers and (2) 3/8 Flat Washers.

Step #5: Loosely attach (2) sill/leg attach brackets using (2) 3/8-16UNC X 1-1/4 Hex Bolts, (5) 3/8 Ext. Tooth Lock Washers and (3) 3/8-16UNC Hex Nuts.

Step #6: Attach (2) slate attach block assemblies using (2) #10 X 2 Pan Head Screws.

Step #7: Repeat Steps 4-6 for assembly of the other end sill beam and two leg posts.

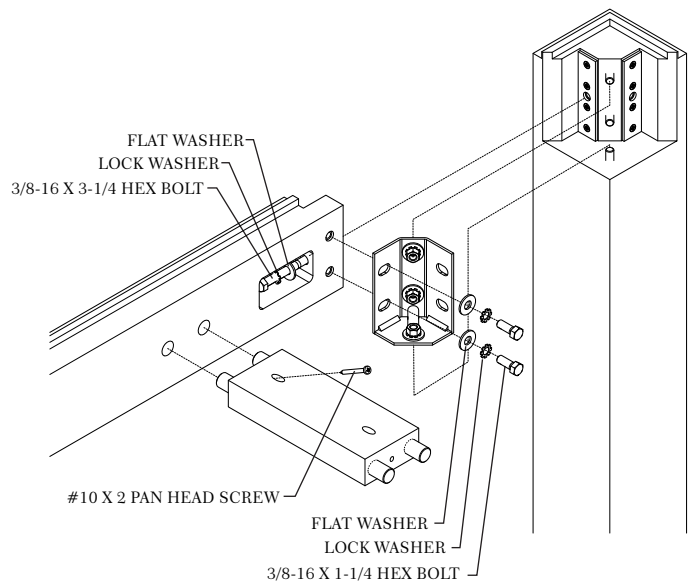
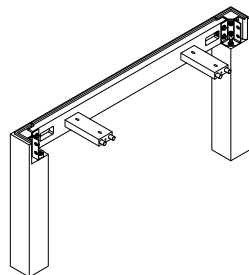


FIGURE THREE



BASE FRAME AND LEG ASSEMBLY

SANIBEL / THE HENDERSON

FIGURE FOUR

Step #8: (Requires Two People) (Use sufficient floor protection at all contact points to prevent damage) Position one end sill beam/leg posts assembly into position near one end of the frame assembly. With one person on each side of the frame assembly, lift the end of the frame and, at the same time, align and engage the end sill beam/leg posts. Using (2) 3/8-16UNC X 3-1/4 Hex Bolts, (20) 3/8 Ext. Tooth Lock Washers and (2) 3/8 Flat Washers, connect each leg post to the frame as shown in Figure Four.

Step #9: Loosely install (2) 3/8-16UNC X 1-1/4 Hex Bolts, (2) 3/8 Ext. Tooth Lock Washers, (2) 3/8 Flat Washers through the sill/leg attach brackets as shown in Figure Four.

Step #10: Connect (2) slate attach block assemblies to the end cross support using (2) #10 X 2 Pan Head Screws.

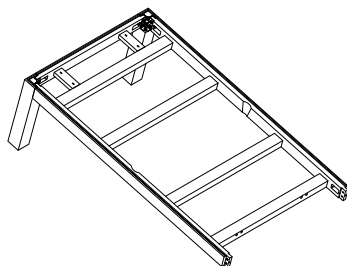
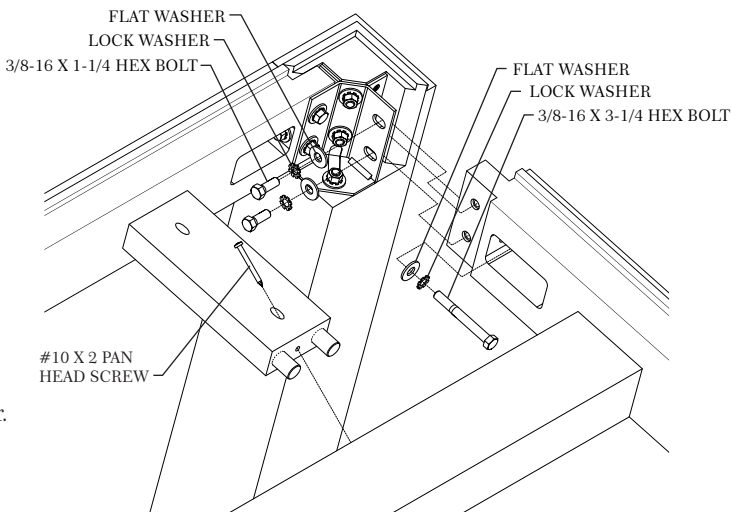


FIGURE FOUR

FIGURE FIVE

Step #11: Repeat Steps 8-10 to connect the second end beam/leg posts assembly as shown in Figure Five.

Step #12: In the following order, fully tighten all hardware for each corner, one corner at a time.

1. (2) 3/8-16UNC X 3-1/4 Hex Bolts - Make sure the leg post is properly seated and pulls tight to end/side beams.
2. Upper and then lower 3/8-16UNC Hex Nuts - Make sure bracket is tight against the post.
3. (4) 3/8-16UNC X 1-1/4 Hex Bolts.

Step #13: Position the assembled table frame in the desired location.

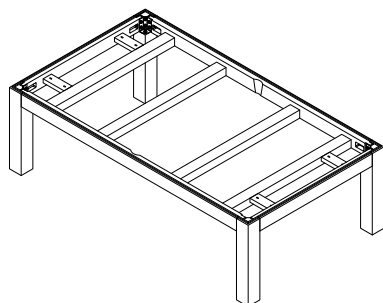
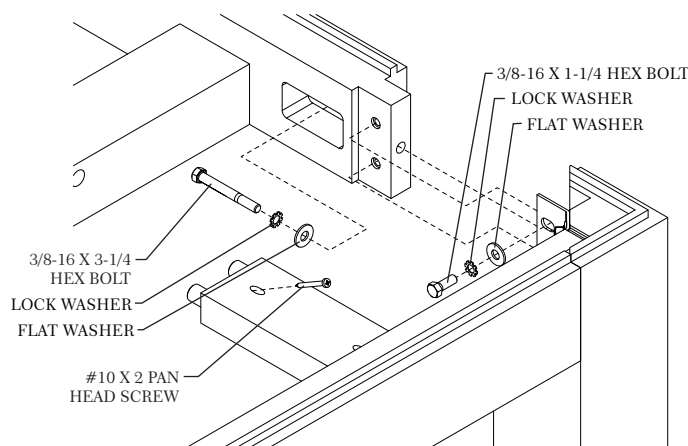


FIGURE FIVE



SLATE ASSEMBLY AND LEVELING

SANIBEL / THE HENDERSON

FIGURE ONE

Step #1: Place a precision leveling tool on top of the frame and determine the highest corner. Level the table by positioning shims under the other three legs until the table is level. Be sure that all four legs have positive bearing with the floor.

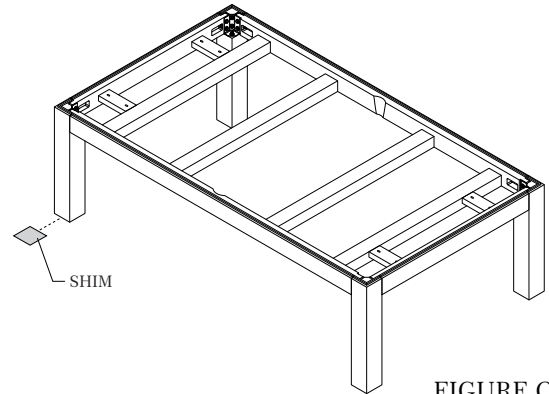


FIGURE ONE

FIGURE TWO

Step #2: With the frame level, position the center slate section evenly between the two-center cross supports and equally between the two side beams as shown in Figure Two.

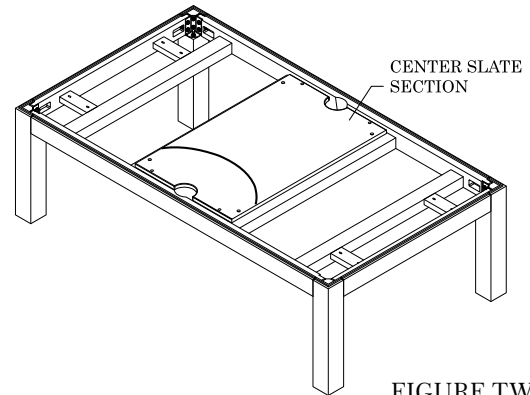


FIGURE TWO

FIGURE THREE

Step #3: Position the end slate sections in place on either side of the center slate section. Be sure the scribed arc on the top surface of the slate is properly aligned forming a true-radii.

Step #4: Recheck spacing to ensure slate is positioned properly end-to-end and side-to-side.

Step #5: Using the twelve countersunk holes in the slate as a template, pilot drill 5/32" diameter holes into the supports.

Step #6: Securely fasten all three slate sections using (12) #14 X 2-1/3 Flat Head Screws.

Step #7: With a precision leveling tool, determine which slate section is low. Loosen screws as needed and using wedges and/or shims, raise the low slate section enough to be able to level all three sections and re-tighten screws. Keep shims/wedges as close to the slate attach screws as possible. Raise remaining slate section(s) for a flush fit with the initial raised section and check for level. Loosen screws, shim as needed and re-tighten screws until all three sections are level.

Step #8: With all three sections leveled, the slate joints can now be filled using rock hard putty or slate joint wax. Scrape excess material away leaving a smooth surface across each joint.

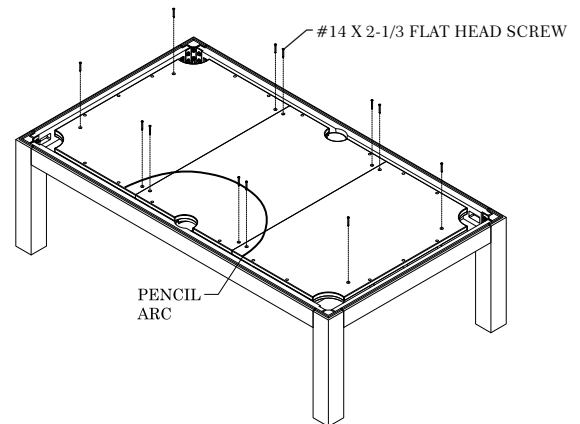


FIGURE THREE

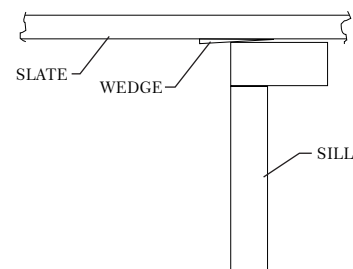


FIGURE FOUR



ATTACHING BED CLOTH

SANIBEL / THE HENDERSON

FIGURE ONE

Step #8: Cut strips of cloth, from end of the bed cloth, approximately 1-1/2" wide X 8" long and glue the strips to the pocket cutouts. This is important cushioning that will allow the bed cloth to last much longer.

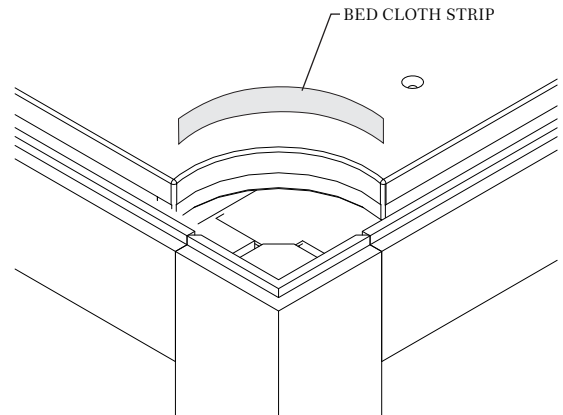


FIGURE ONE

NOTE: Before attaching the billiard cloth, clean slate thoroughly.

NOTE: Entire perimeter of the bed cloth will be fastened to the wooden ledge of the side and end frame members.

FIGURE TWO

Step #2: Lay the bed cloth over the top of the slate, nap side up, with the nap running from the head end to the foot end of the table.

NOTE: In determining the direction of the nap, run your hand lightly over the surface of the cloth. If it meets resistance, it is going against the nap.

Step #3: Leave only enough cloth at the head end and left side to permit tacking into the wood ledge. Leave the balance of cloth stapling overhang at the foot end and right side.

NOTE: Do not spread tacks on the bed cloth. Keep them in a container that slides staples over the cloth.

Step #4: Tack or staple the cloth securely to the wood ledge at #1 with two tacks or staples approximately 2" apart.

Step #5: Stretch the cloth across the table and tack or staple securely at #2 with two tacks or staples 2" apart.

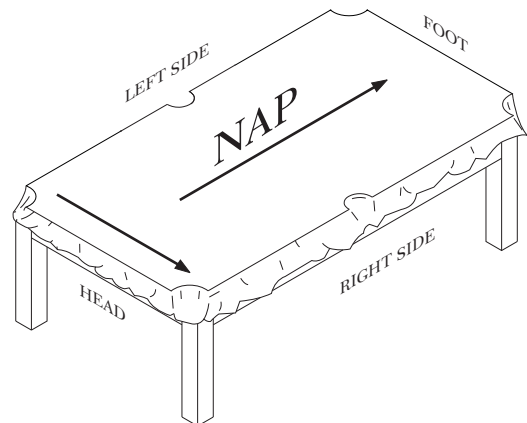


FIGURE TWO



ATTACHING BED CLOTH

SANIBEL / THE HENDERSON

FIGURE THREE

Step #6: Stretch the cloth from #1 to #3 and tack or staple securely into the wood ledge at the left side of the table. See Figure Two.

Step #7: Stretching the cloth across the table from #3 and pulling from #2, tack or staple the cloth at #4.

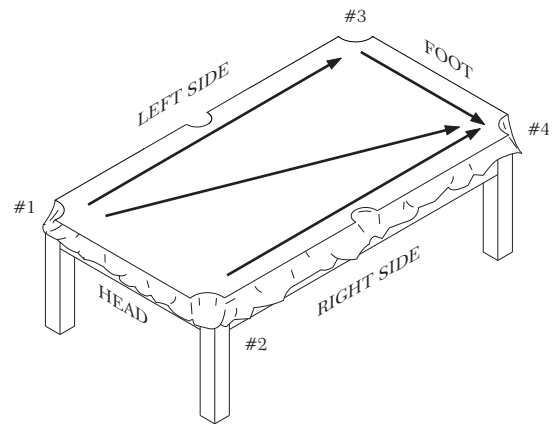


FIGURE THREE

FIGURE FOUR

Step #8: On the left side, stretch the cloth tightly from #1 toward the side pocket opening and tack or staple securely at #5.

Step #9: Stretching the cloth across the table from #3 and pulling from #2, tack or staple the cloth at #4.

Step #10: On the right side of the table, grasp the cloth firmly and stretch across the table from #5 and toward the side pocket from #2 and tack or staple at #7.

Step #11: Repeat Step 7, stretching from #6 and toward the side pocket from #4 and tack or staple at #8.

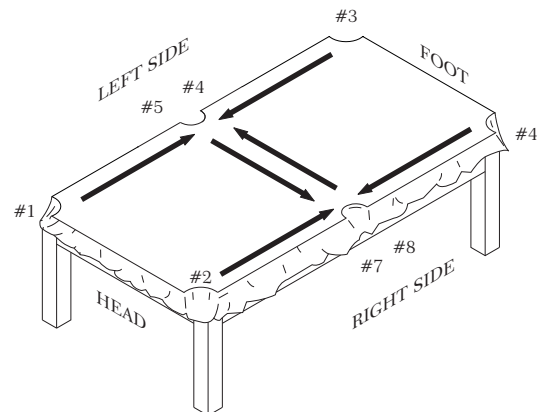


FIGURE FOUR

ATTACHING BED CLOTH

SANIBEL / THE HENDERSON

FIGURE FIVE

Step #12: At location #9, cut a short slit in the cloth at the edge centered on the side pocket opening. Grasp the cloth firmly above this slit, pull the cloth into the side pocket opening and tack or staple to the wood frame. Complete fastening of the cloth to the side pocket opening, making sure the cloth is tacked or stapled to the wood frame.

Step #13: Stretching the cloth tightly across the table from location #9, repeat Step 11 at location #10.

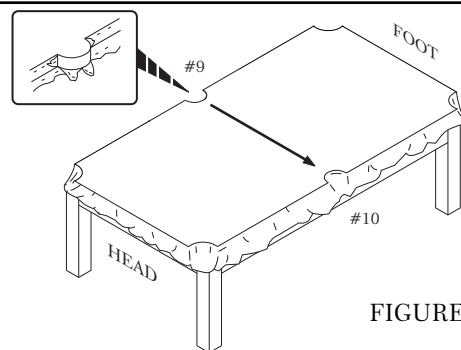


FIGURE FOUR

FIGURE SIX

Step #14: At the head end of the table, tack or staple the cloth at location #11, maintaining uniform overhang.

Step #15: Pull the cloth from location #11 toward location #12 and tack or staple securely along the wood ledge, keeping the cloth even along the head end.

Step #16: Stretch the cloth firmly from location #11 to the foot end of the table and tack or staple at location #13.

Step #17: Stretch the cloth tightly from locations #12 and #13 toward location #14 and tack or staple securely along the wood ledge.

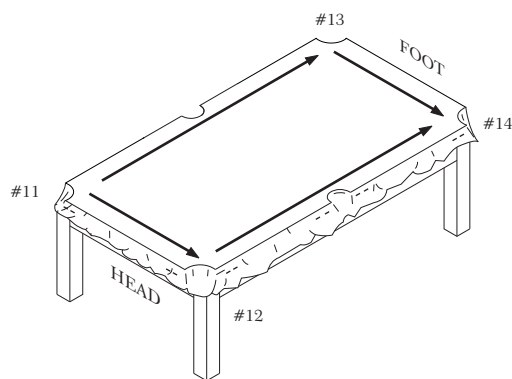


FIGURE FIVE

FIGURE SEVEN

Step #18: Tack or staple all of the left side on 2" centers keeping the cloth even along the wood ledge.

Step #19: Tack or staple the balance of the head end on 2" centers also keeping the cloth even along the wood ledge.

Step #20: Stretch the cloth tightly toward the foot end of the table, tacking or stapling on 2" centers along the wood ledge at the foot end.

Step #21: Stretch the cloth tightly across the table to the right side, tacking or stapling on 2" centers all the way along the wood ledge at the right side.

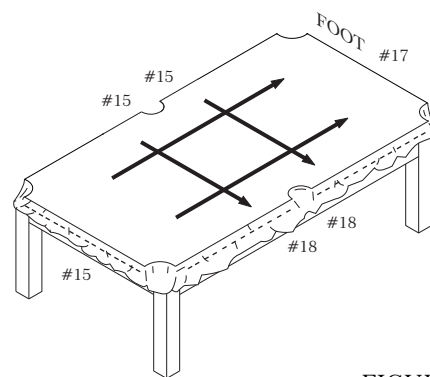


FIGURE SIX

FIGURE EIGHT

Step #22: Stretch the cloth into the corner pocket openings and tack or staple to the wood slate frame.

Step #23: Trim off excess cloth around the perimeter of the slate. Locate the eighteen (18) rail attach holes and cut clearance holes in the cloth with a sharp knife.

NOTE: Occasionally cloth with stretch, leaving wrinkles on the pockets. To tighten, remove entire rail assembly. Pull cloth taut, and retack or restaple along one end and one side to restore original tightness.

Cut holes in cloth at rail both locations

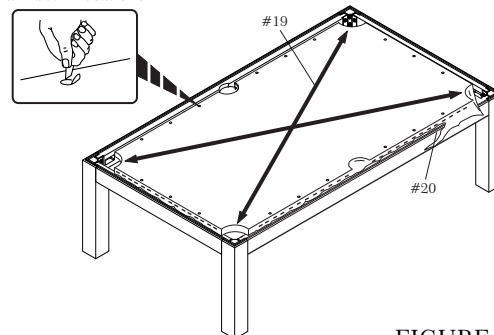


FIGURE SEVEN

ATTACHING RAIL CLOTH

SANIBEL / THE HENDERSON

CORNER POCKET FIGURE ONE

Step #1: Place cloth on rail with the back side down. The cloth should have equal amount of overhang at both ends of rail and extend 1/2" over the featherstrip groove on the cushion side as shown.

Step #2: Except for approximately 3" at end of rail, tap featherstrip down with a tapping block and hammer, starting at center of rail. Stretch cloth tightly toward each end of rail and tap featherstrip down.

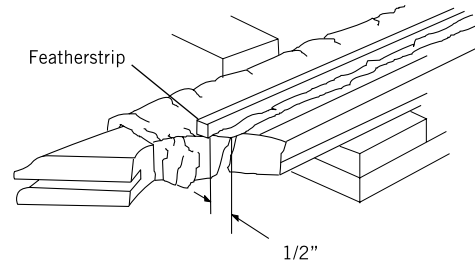


FIGURE ONE

FIGURE TWO

Step #3: At each end of rail, pull the cloth toward the rubber cushion an additional 3/4". Then tap remainder of featherstrip down.

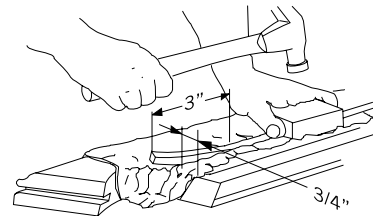


FIGURE TWO

FIGURE THREE

Step #4: Trim the cloth on cushion side of featherstrip along the total length of featherstrip as illustrated.

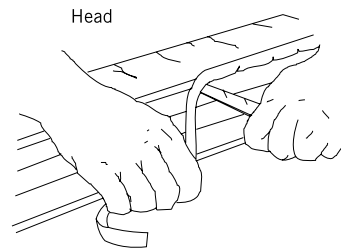


FIGURE THREE

FIGURE FOUR

Step #5: Fold the cloth down over front of rail, then using thumb and forefinger as a guide along front edge of the cushion to keep the tapping block at rear edge of featherstrip, tap the featherstrip down flush with rail surface as shown.

NOTE: Never try to tap a featherstrip flush with just a hammer as you will surely dent the rail surface behind the featherstrip.

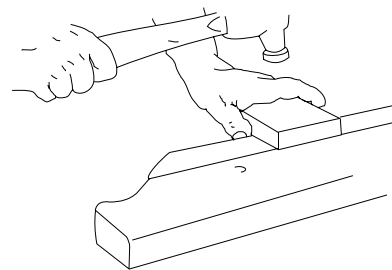


FIGURE FOUR

FIGURE FIVE

Step #6: Turn rail over and at corner pockets fold the cloth over the mitred edge as shown, stretching tightly and working out any wrinkles as you staple three places in area shown.

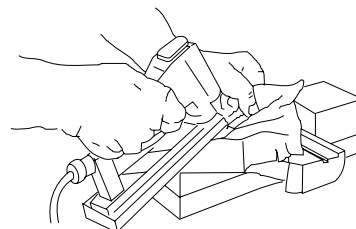


FIGURE FIVE

ATTACHING RAIL CLOTH (CONTINUED)

SANIBEL / THE HENDERSON

FIGURE SIX

Step #7: Staple three places along the rear edge of the pocket facing X, then trim off excess cloth at pocket area.

Step #8: If rail is an end rail, repeat Step 7 at other corner pocket. Then, starting at center of rails, stretch cloth tightly over cushion and staple at bottom of rail working toward each end.

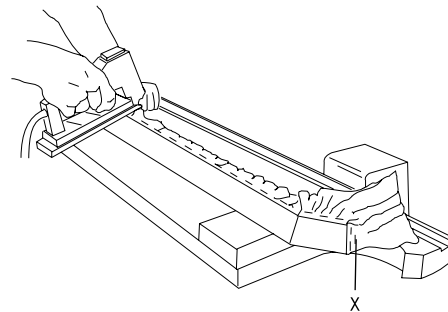


FIGURE SIX

FIGURE SEVEN

Step #9: Trim excess cloth from bottom of rail flush with edge of cloth relief groove.

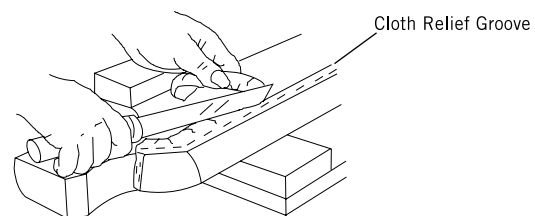


FIGURE SEVEN

SIDE POCKET
FIGURE EIGHT

Step #10: At side pocket, stretch the cloth tightly over nose of cushion and staple three places as shown.

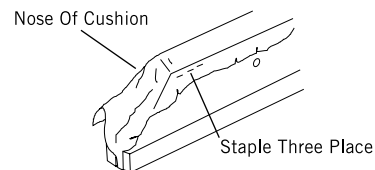


FIGURE EIGHT

FIGURE NINE

Step #11: Slit the cloth up to the edge of cushion nose as shown. Then firmly pull the small strip to the rear of the cushion and staple at rear of facing.

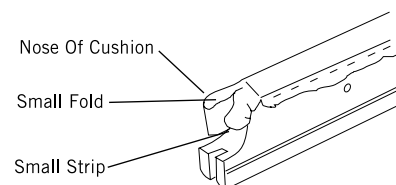


FIGURE NINE

FIGURE TEN

Step #12: Hold the small fold in place with thumb and forefinger and firmly hold it down over facing. Then staple at rear of facing and at bottom of rail as shown.

Step #13: Trim excess cloth as required.

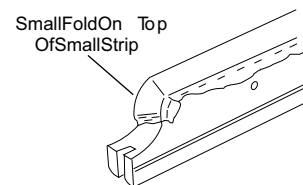


FIGURE TEN

RAIL ASSEMBLY

SANIBEL / THE HENDERSON

FIGURE ONE

Step #1: Position (2) side rails, (1) head rail and (1) foot rail upside down in their respective positions on a protected surface.

Step #2: Insert (4) 5/16-18UNC X 4 Threaded Rods into each side rail end. Slide the rails into position aligned with the threaded end rod. Using (8) Flat Washers, (8) 5/16 Ext. Tooth Lock Washers and (8) 5/16-18UNC Hex Nuts align and draw together each of the four connections and tighten each securely.

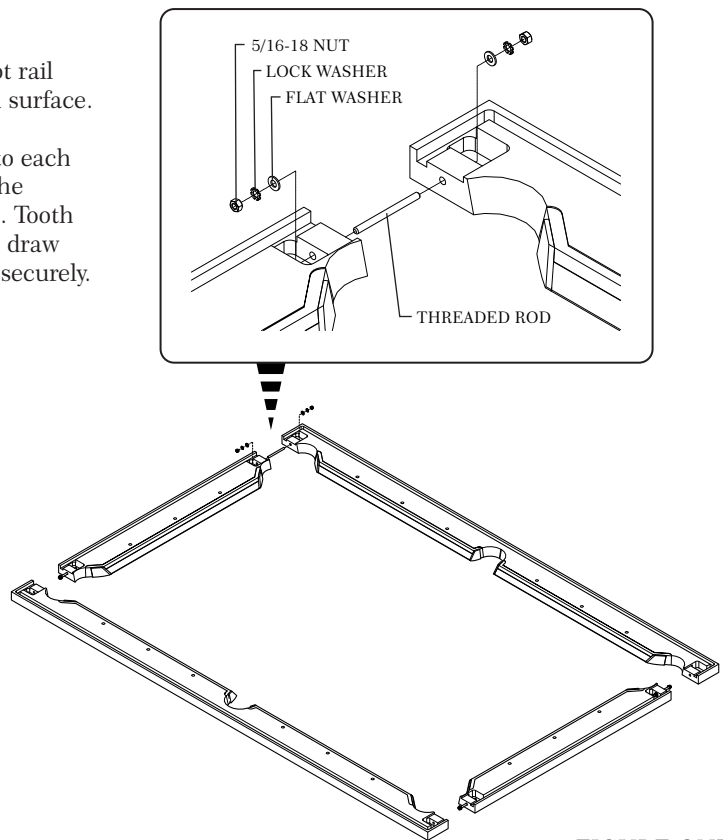


FIGURE ONE

FIGURE TWO

Step #3: Install (4) Rail Connector Plates using (16) #10 X 3/4 Truss Head Screws as shown in Figure Two.

Step #4: Thread (18) 3/8-16UNC X 2-3/4 Threaded Rods into each of the eighteen locations in the bottom of all four rails. For best results, turn each Threaded Rod all the way in until contact with wood is made, and then, back the Threaded Rod out 1/4 turn.

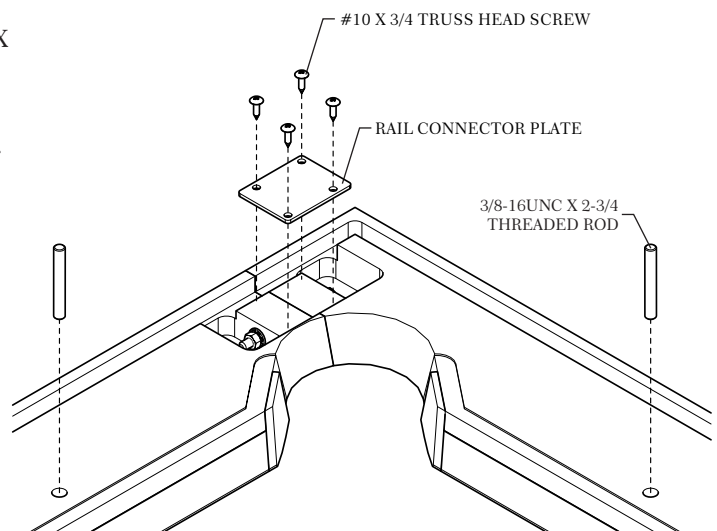


FIGURE TWO



RAIL ASSEMBLY (CONTINUED)

SANIBEL / THE HENDERSON

FIGURE THREE

Step #5: Carefully turn the rail assembly over.

CAUTION: Do not let the rail assembly “twist” or “bow” while turning; the strain may cause damage.

Step #6: Align the eighteen Threaded Rods with the eighteen holes through the slate and lower the rail assembly onto the slate. The rail assembly should align flush with the exterior surfaces of the lower frame. Be sure that the head rail (with Brand logo) is in the desired location prior to completing *Step #7*.

Step #7: Using (3) Domed Washers and (3) 3/16UNC Hex Nuts, secure one end of the rail assembly and tighten securely.

Step #8: Repeat *Step #7* at the other end of the rail assembly making sure the assembly is in a square condition.

Step #9: Making sure the side rails are in a straight line (cushion side) fasten each side rail securely using the remaining Domed Washers and Hex Nuts.

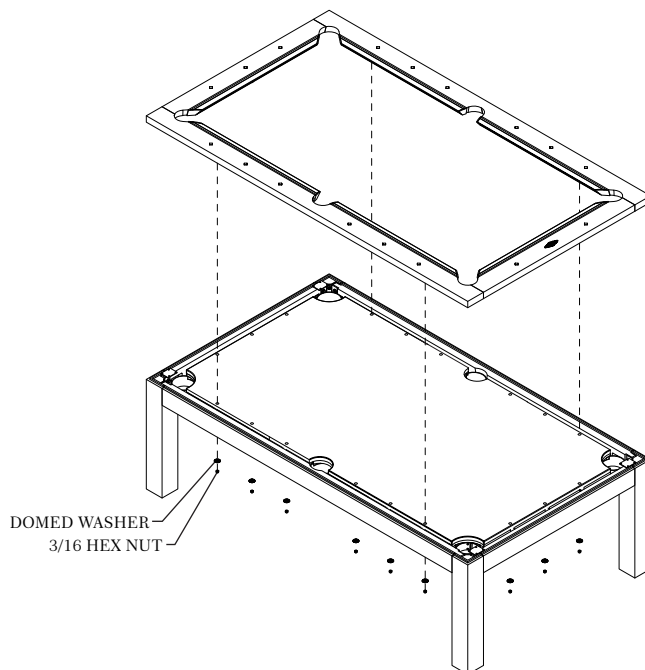


FIGURE THREE

FIGURE FOUR

Step #10: Position the two side pockets and four corner pockets into their respective pocket openings. Fit and attach each pocket using four nails per pocket. Secure straps on all four corner pockets to the slate frame material as required.

Step #11: Thoroughly brush the areas on which the bed spots are to be applied. Position each bed spot and firmly roll a ball over the spot to achieve good adhesion.

NOTE: Bed spots are self-adhesive. Bed spots can be applied at both head and foot end of the table, or just the foot end, whichever is preferred.

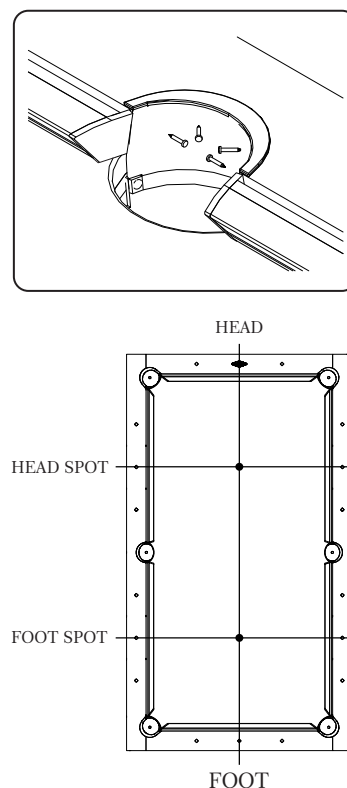


FIGURE FOUR

