



# BBO

POKERTABLES

## HELMSLEY POKER DINING TABLE

### ASSEMBLY INSTRUCTIONS

**A**

8 SETS  
8\*35MM



**B**

1 PC



**C**

1 PC

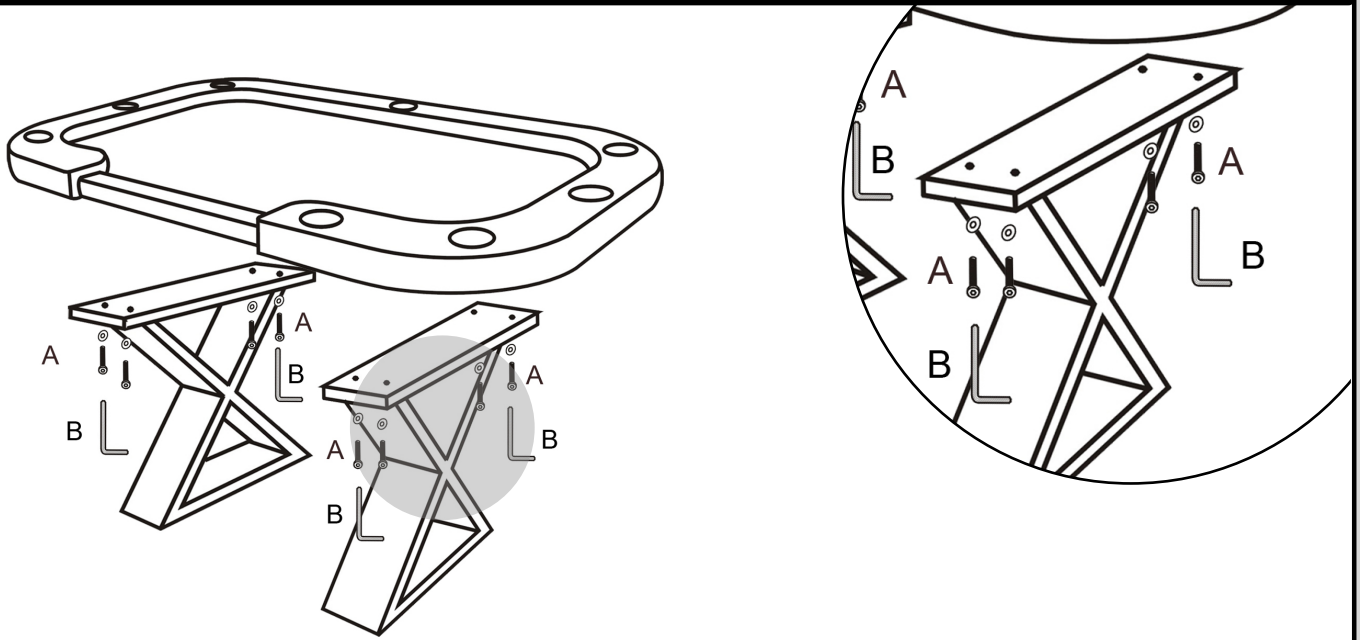


**D**

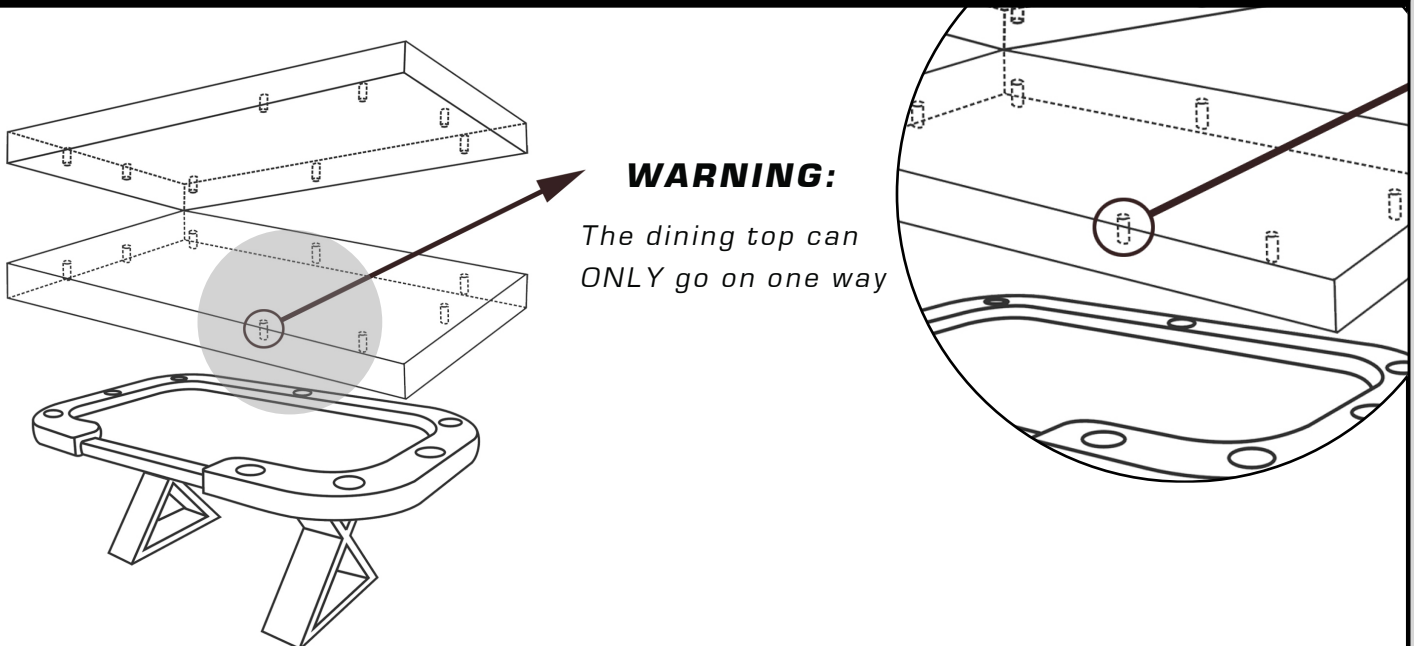
1 PC



#### 1 ATTACH TABLE TOP TO BASE



#### 2 CAREFULLY ALIGN DINING TOP. DINING TOP ONLY FITS ONE WAY!



**TIP:** FOR PERMANENT INSTALLATIONS, APPLY THREAD LOCKING GLUE ON THE SCREWS PRIOR TO TIGHTENING.