

— EST. 1987 —

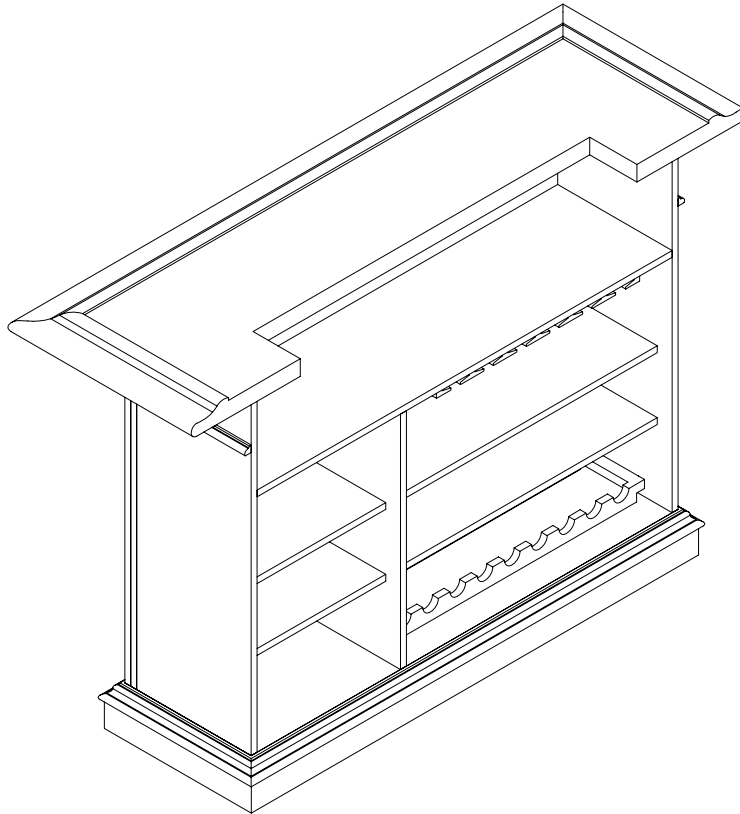
AHB








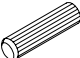
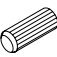
HOME FURNITURE COLLECTIONS

ASSEMBLY INSTRUCTIONS

600065 VALORE BAR

LOOSELY ATTACH EACH SCREW UNTIL FRAME IS ASSEMBLED THEN TIGHTEN WHEN COMPLETE



HARDWARE LIST		QTY	OUTLOOK
A	ALLEN KEY	1	
B	BOLT $\varnothing 1/4" * 1 1/4"$	22	
C	SPRING WASHER $\varnothing 1/4"$	22	
D	FLAT WASHER $\varnothing 1/4"$	22	
E	SCREW $\varnothing 1/8" * 1"$	10	
F	SHELF SUPPORT	16	
G	SCREW $\varnothing 1/16" * 1/2"$	16	
H	WOOD PLUG $\varnothing 5/16" * 1-1/4"$	12	
I	WOOD PLUG $\varnothing 3/8" * 3/4"$	4	

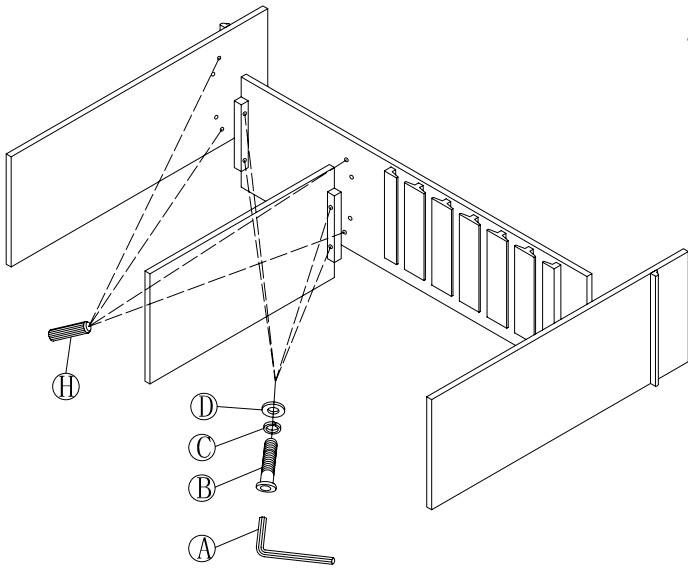
— EST. 1987 —

A H B

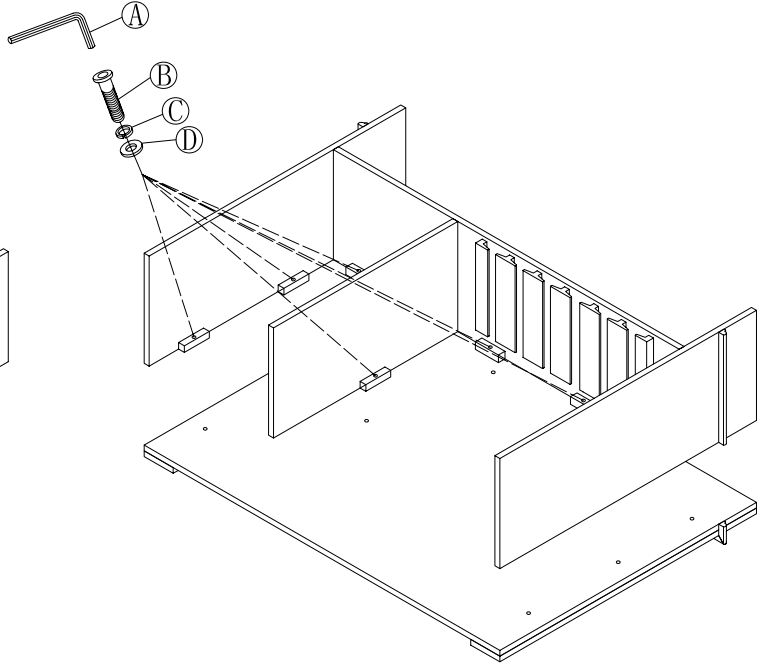
HOME FURNITURE COLLECTIONS
ASSEMBLY INSTRUCTIONS
600065 VALORE BAR

LOOSELY ATTACH EACH SCREW UNTIL FRAME IS ASSEMBLED THEN TIGHTEN WHEN COMPLETE

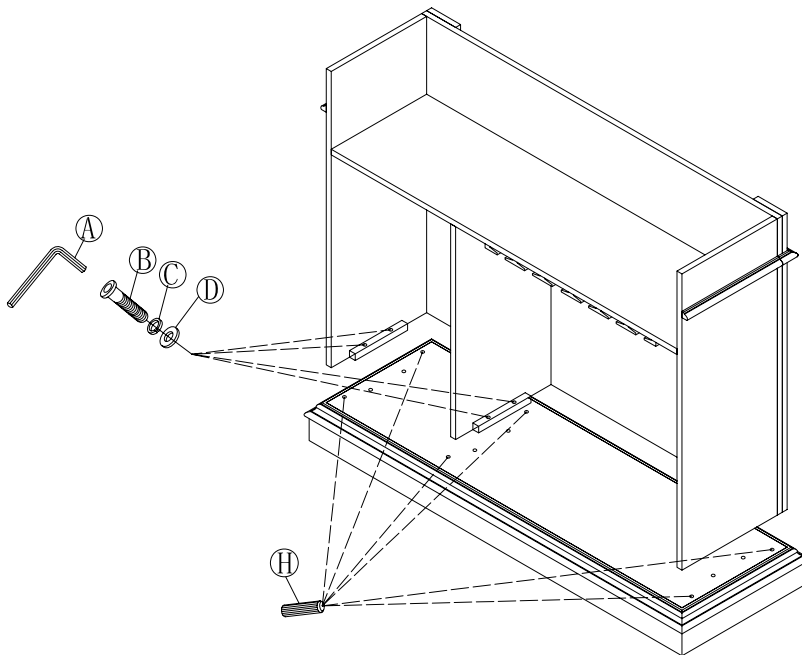
STEP 1:



STEP 2:



STEP 3:



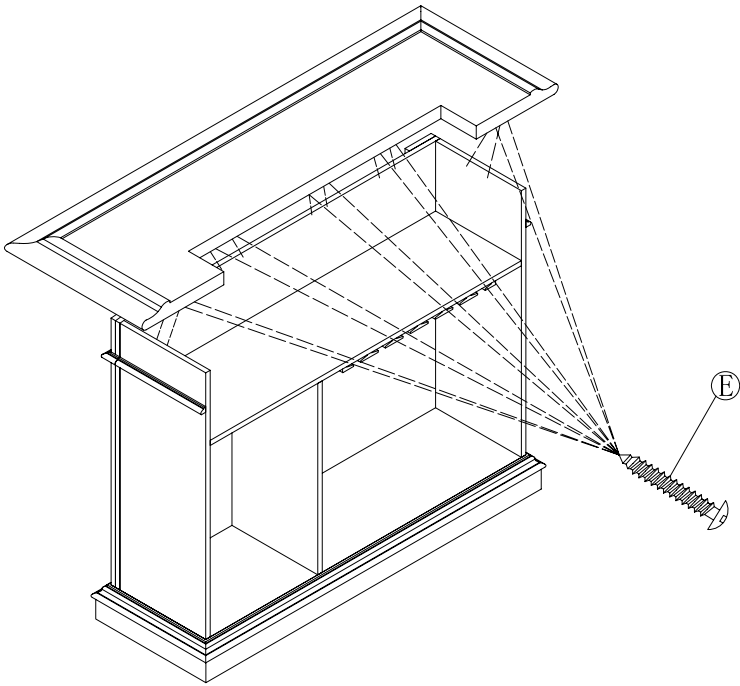
— EST. 1987 —

AHB

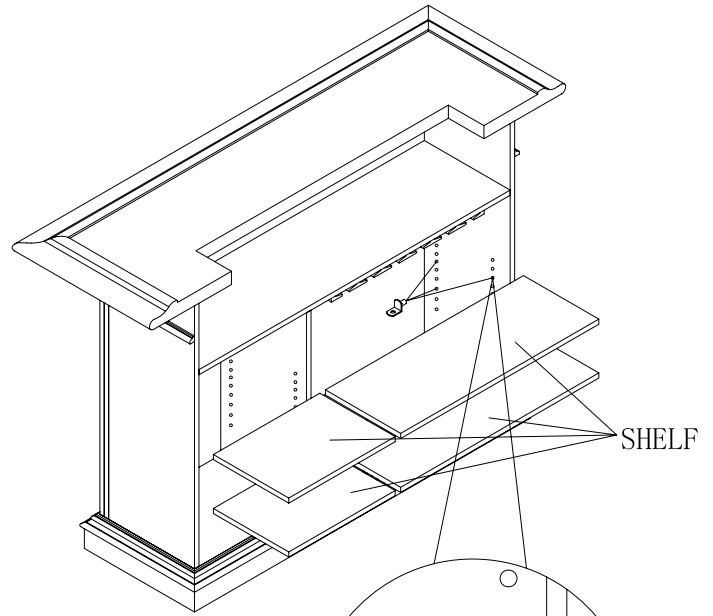
HOME FURNITURE COLLECTIONS
ASSEMBLY INSTRUCTIONS
600065 VALORE BAR

LOOSELY ATTACH EACH SCREW UNTIL FRAME IS ASSEMBLED THEN TIGHTEN WHEN COMPLETE

STEP 4:



STEP 5:



STEP 6:

