





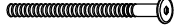


ASSEMBLY INSTRUCTIONS

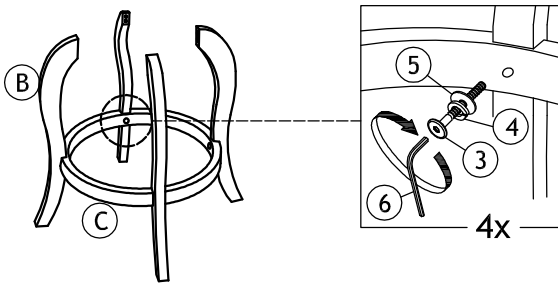
MODEL: BBSTL2 - BACKED BARSTOOL SQUARE SEAT

Read this instruction carefully. Refer hardware and furniture parts list for guidance. Be sure all parts are complete before assembling. Place all wooden furniture part on a clean and flat soft surface to prevent scratches. Refer steps provided as assembling guide.

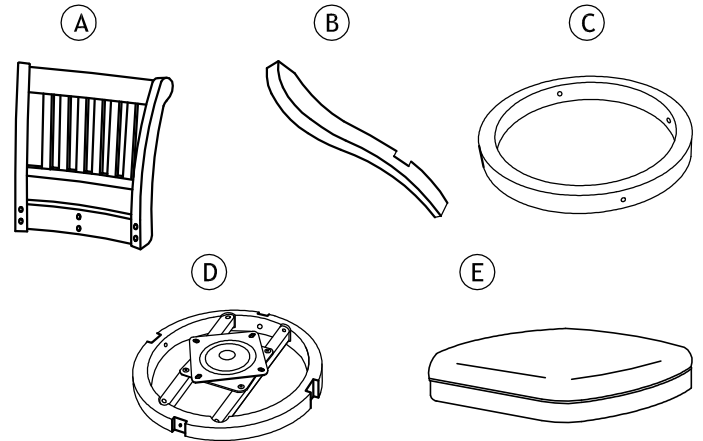
PART LIST		
ITEM	DESCRIPTION	QTY
A	Backrest	1 PC
B	Leg	4 PCS
C	Footrest	1 PC
D	Apron with swivel plate	1 PC
E	Cushion Seat	1 PC

HARDWARE LIST		
ITEM	DESCRIPTION	QTY
1	JCBC Screw M6 x 25MM 	4 PCS
2	JCBC Screw M6 x 35MM 	4 PCS
3	JCBC Screw M6 x 45MM 	6 PCS
4	Spring Washer M6 x 13MM 	14 PCS
5	Flat Washer M6 x 16.5MM 	14 PCS
6	Allen Key Small M4 x 110MM 	1 PC.
7	JCBC Screw M6 x 80MM 	4 PCS

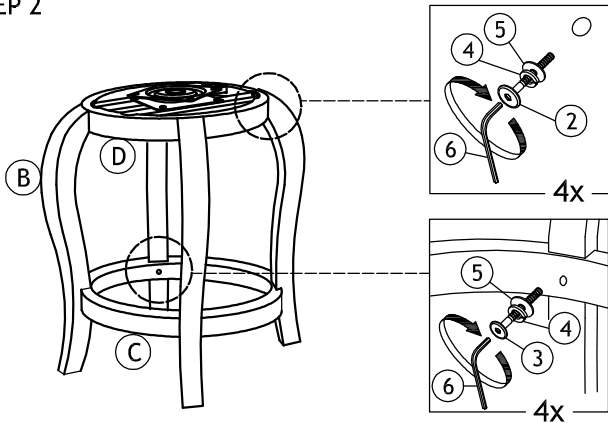
STEP 1



Attach part (B) part (C). Insert each individual set of hardware as per picture shown. Do not tighten any hardware completely!

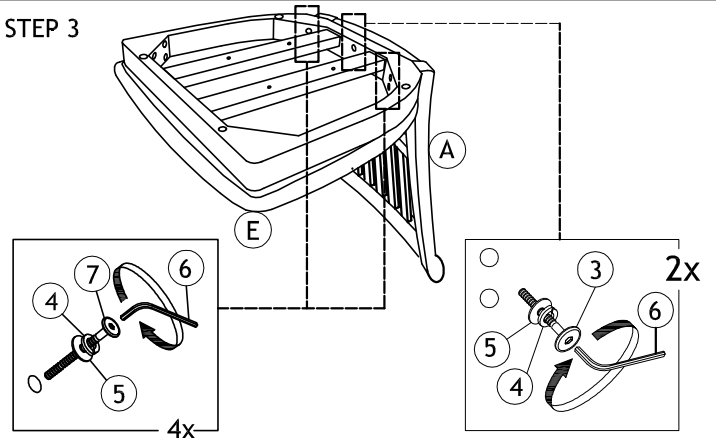


STEP 2



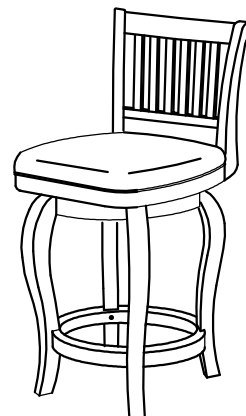
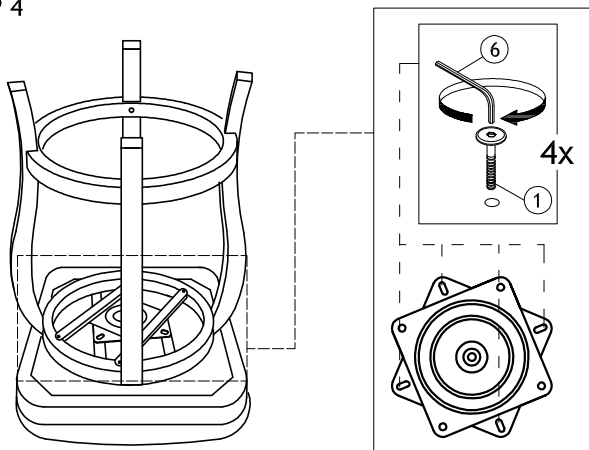
Attach part (B) with part (D). Tighten part (B) with part (D) first, then tighten part (B) with part (C) completely.

STEP 3



Insert 6 sets hardware first, then tighten part (A) with part (E) after alignment is done.

STEP 4



COMPLETED ASSEMBLY