









AMERICAN HERITAGE – QUEST TABLE

ASSEMBLY INSTRUCTION







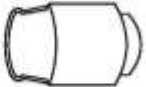
***For general helpful installation tips, please visit our website at:

<https://www.americanheritagebilliards.com/installer-resources>

HARDWARE LIST

NO	HARDWARE	DESCRIPTION	QTY
A		HEX BOLT 3/8" x 5"	8
B		HEX BOLT 3/8" x 3 1/2"	10
C		HEX SCREW 5/16" x 20mm	2
D		RAIL STUDS 5/16" x 2 3/4"	18
E		HEX NUT 3/8"	18
F		HEX NUT 5/16" x 12.5 mm	18
G		SPRING WASHER 3/8"	18
H		WASHER 3/8" x 22 x 2	36

HARDWARE LIST

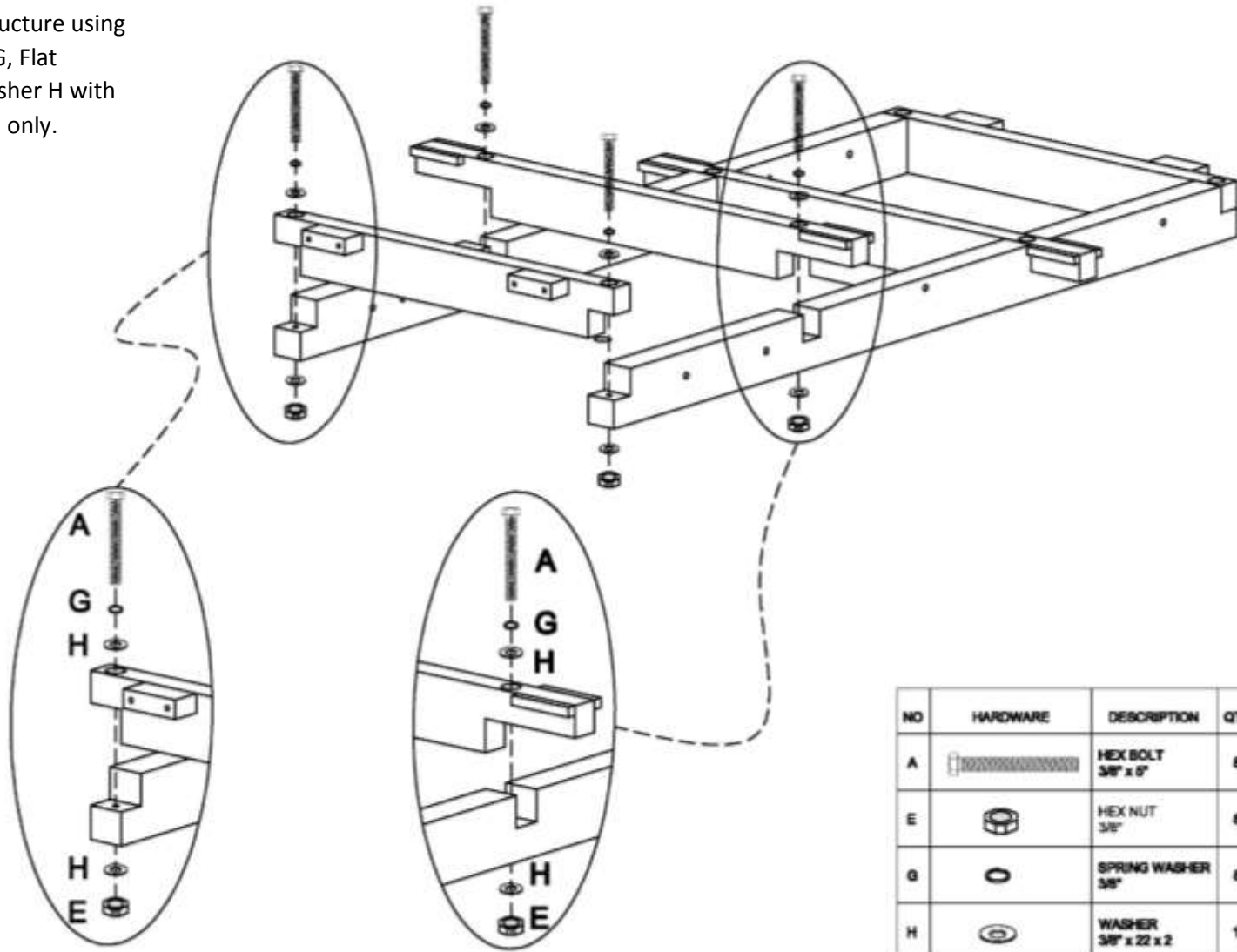
NO	HARDWARE	DESCRIPTION	QTY
I		WASHER 5/16" x 19 x 1.5mm	2
J		RAIL WASHER 3/8"	18
K		CSK TS #14 x 2 1/2"	12
L		P.H.R.S #14 x 2"	18
M		P.H.R.S #8 x 1"	24
N		SIDE POCKET	2
O		CORNER POCKET	4

AMERICAN HERITAGE – QUEST TABLE

ASSEMBLY INSTRUCTION

STEP 1

Assemble the beam structure using Bolt A, Spring Washer G, Flat Washer H, and Flat Washer H with Nut E. Tighten by hand only.

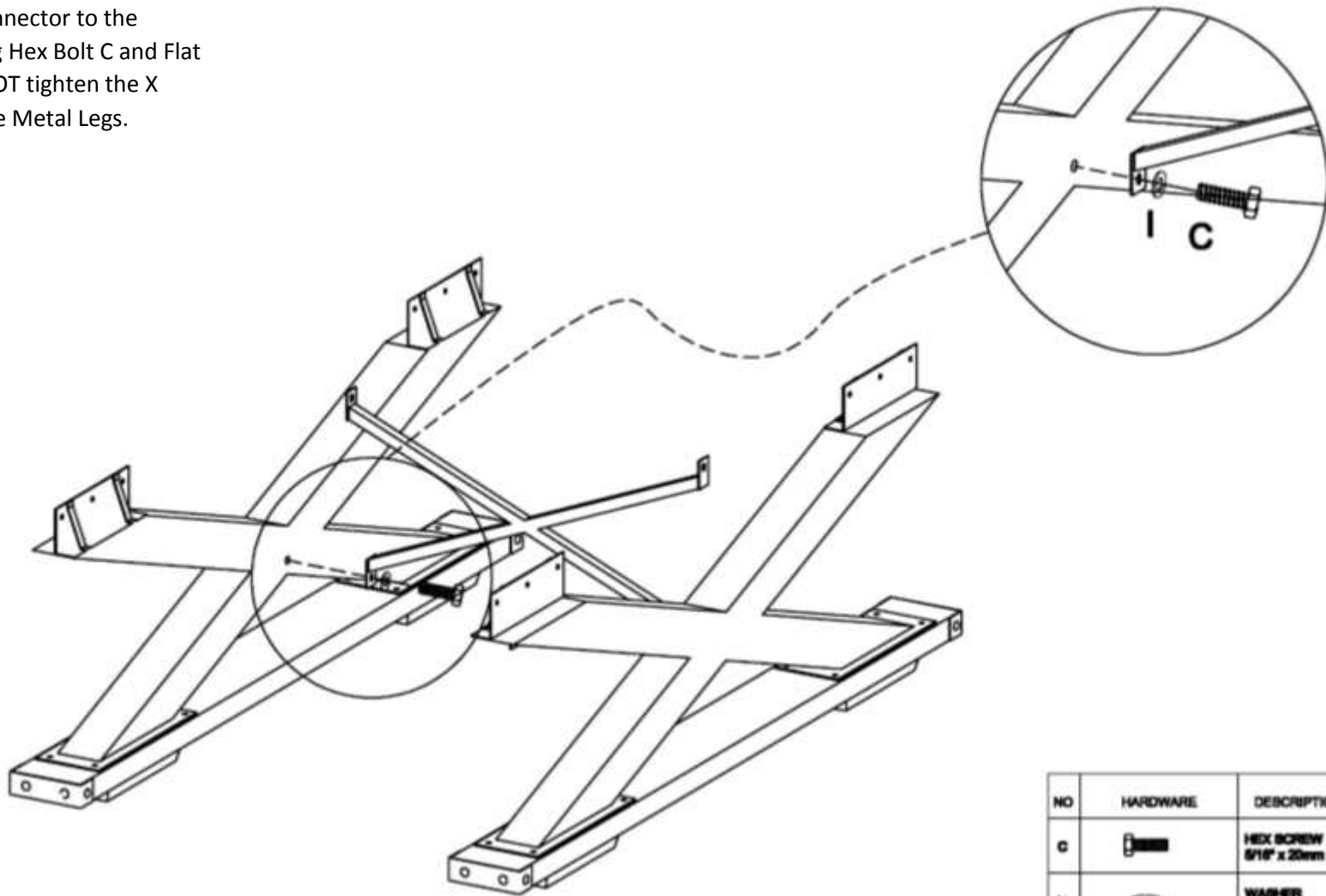




AMERICAN HERITAGE – QUEST TABLE

ASSEMBLY INSTRUCTION

STEP 2

Attach the X Connector to the Metal Legs using Hex Bolt C and Flat Washer I. Do NOT tighten the X Connector to the Metal Legs.



NO	HARDWARE	DESCRIPTION	QTY
C		HEX BOLT 5/16" x 20mm	2
I		WASHER 5/16" x 19 x 1.0mm	2

AMERICAN HERITAGE – QUEST TABLE

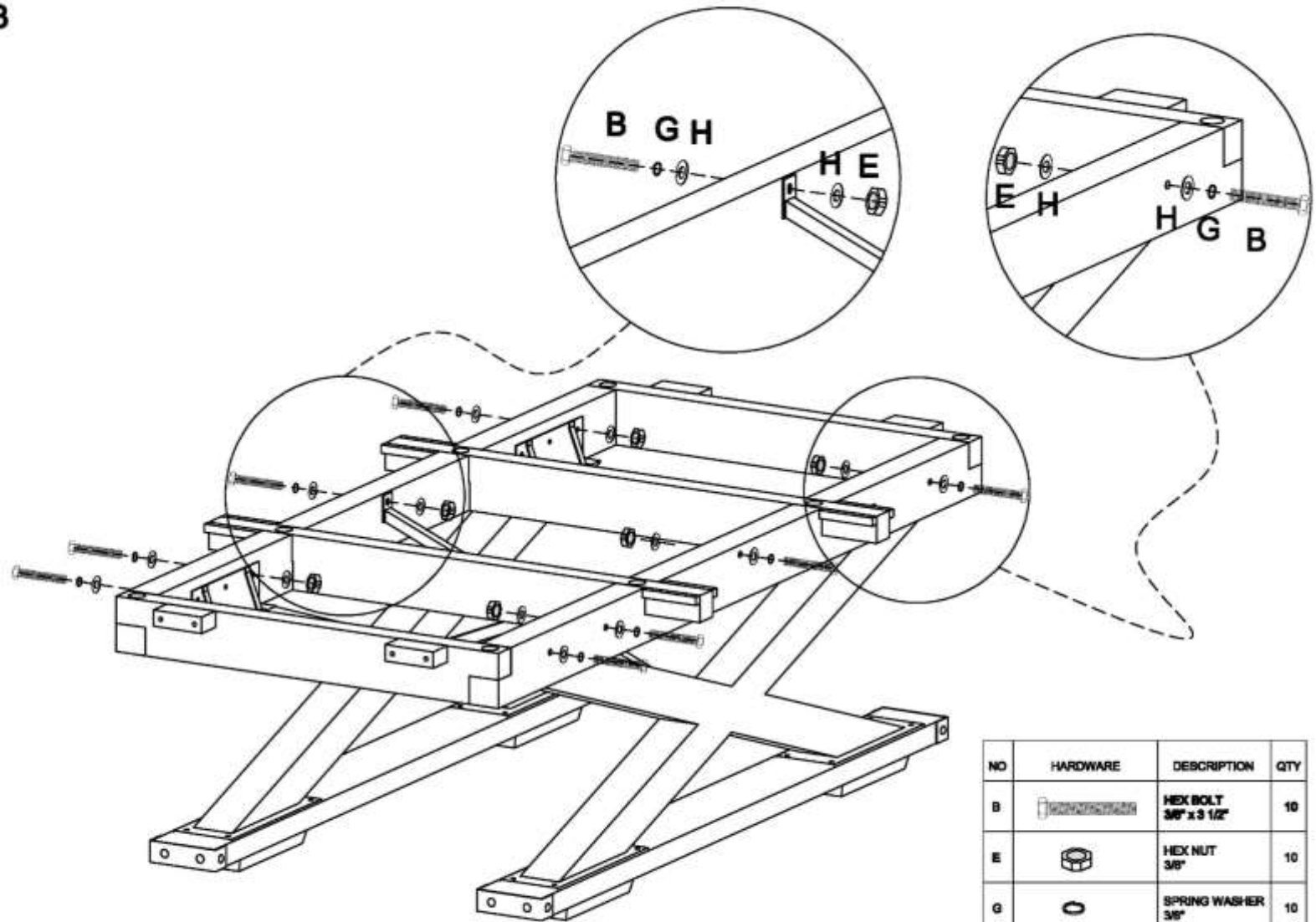
ASSEMBLY INSTRUCTION





STEP 3

Attach the beam structure to the assembled legs using Bolt B, Spring Washer G, Flat Washer H, and Nut E.

Attach the X Connector to the Wood Beams using Bolt B, Spring Washer G, Flat Washer H, and Nut E.

With a tape measure, measure the beam assembly diagonally from opposite corners to make sure the beam assembly is square and then tighten all bolts.



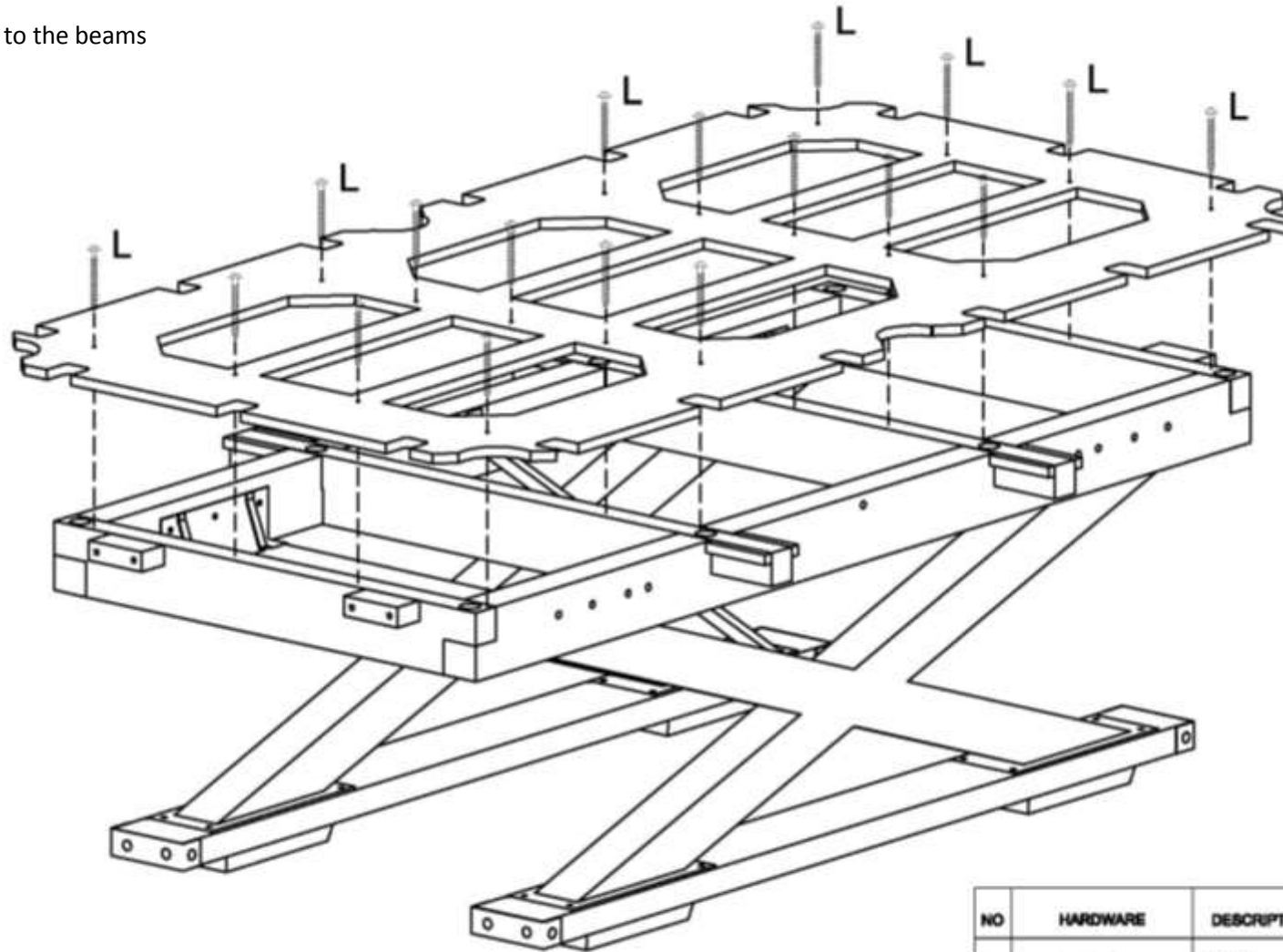
NO	HARDWARE	DESCRIPTION	QTY
B		HEX BOLT 3/8" x 3 1/2"	10
E		HEX NUT 3/8"	10
G		SPRING WASHER 3/8"	10
H		WASHER 3/8" x 22 x 2	20


AMERICAN HERITAGE – QUEST TABLE

ASSEMBLY INSTRUCTION

STEP 4

Attach the slate pad to the beams using Screw L



NO	HARDWARE	DESCRIPTION	QTY
L		P.H.R.S #14 x 2"	18

AMERICAN HERITAGE – QUEST TABLE

ASSEMBLY INSTRUCTION

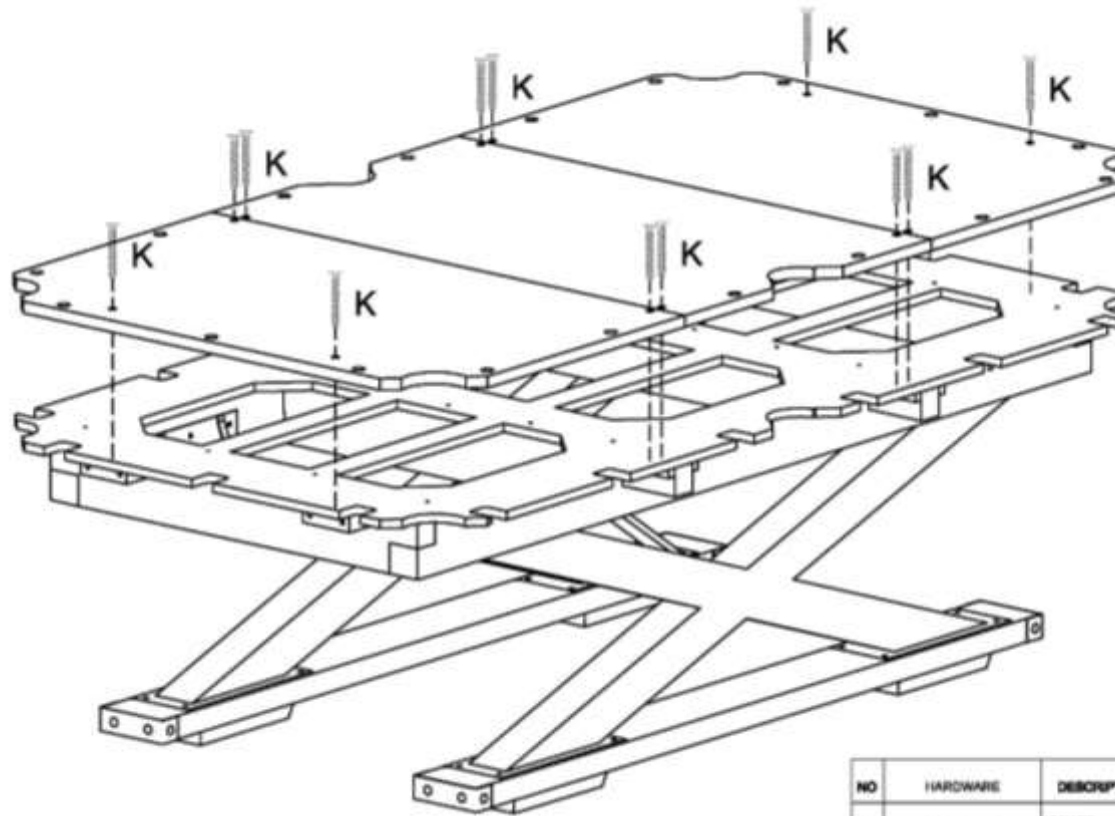
STEP 5

Making sure table assembly is in the proper spot in the room, use a level to ensure the frame is level to the floor. Use flat shims under the legs to adjust if needed.

Locate the center piece of slate and position it on the cross beam assembly so that it is centered to both the length and width of the assembly (you must be very accurate with placement). Pre-drill hole through slate screw hole using a 3/16" drill bit. Vacuum out debris and secure using Slate Screws K

Continue with same process for both outside sections of slate.

With a level or straight edge, be sure that the slate seams are flat and level. If adjustments need to be made, loosen slate screws and place a shim(s) in the area that needs adjustment. Tighten screws and check for levelness. Use Bee's Wax or similar to fuse the seams of the slate together.



NO	HARDWARE	DESCRIPTION	QTY
K	Screw	CSK TB #14 x 2 1/2"	12

Cont.

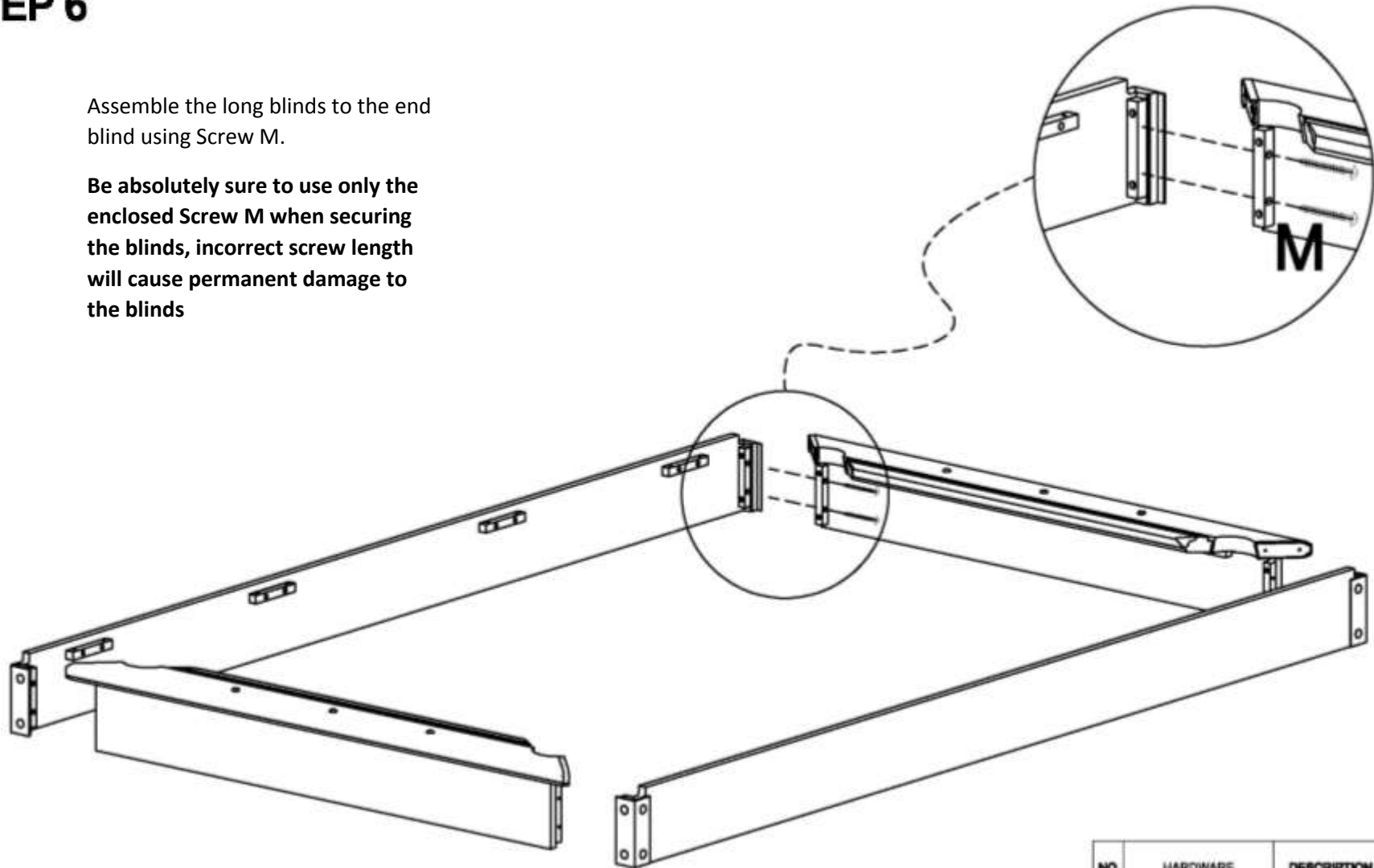
Remove any wax, dust and debris from the slate surface to prep it for the bedcloth. Layout bedcloth centering it over the slate surface. Starting at one end, staple cloth to slate framing, working from center out toward the pockets stretch cloth toward pockets. Go to opposite end of table and repeat process but pull the cloth tight while stapling. Repeat on long sides working from center between center pocket and end pocket stretching cloth toward the pockets as you staple. Once cloth is completely stapled, cut pocket openings by cutting small vertical incisions in cloth to relax the fabric so it can be stretched and stapled around opening. Finally, make "X" style slits in cloth where rail bolts will go through the slate holes (see photo below).

AMERICAN HERITAGE – QUEST TABLE
ASSEMBLY INSTRUCTION

STEP 6

Assemble the long blinds to the end blind using Screw M.

Be absolutely sure to use only the enclosed Screw M when securing the blinds, incorrect screw length will cause permanent damage to the blinds



NO	HARDWARE	DESCRIPTION	QTY
M	Screw	P.H.R.S #8 x 1"	8

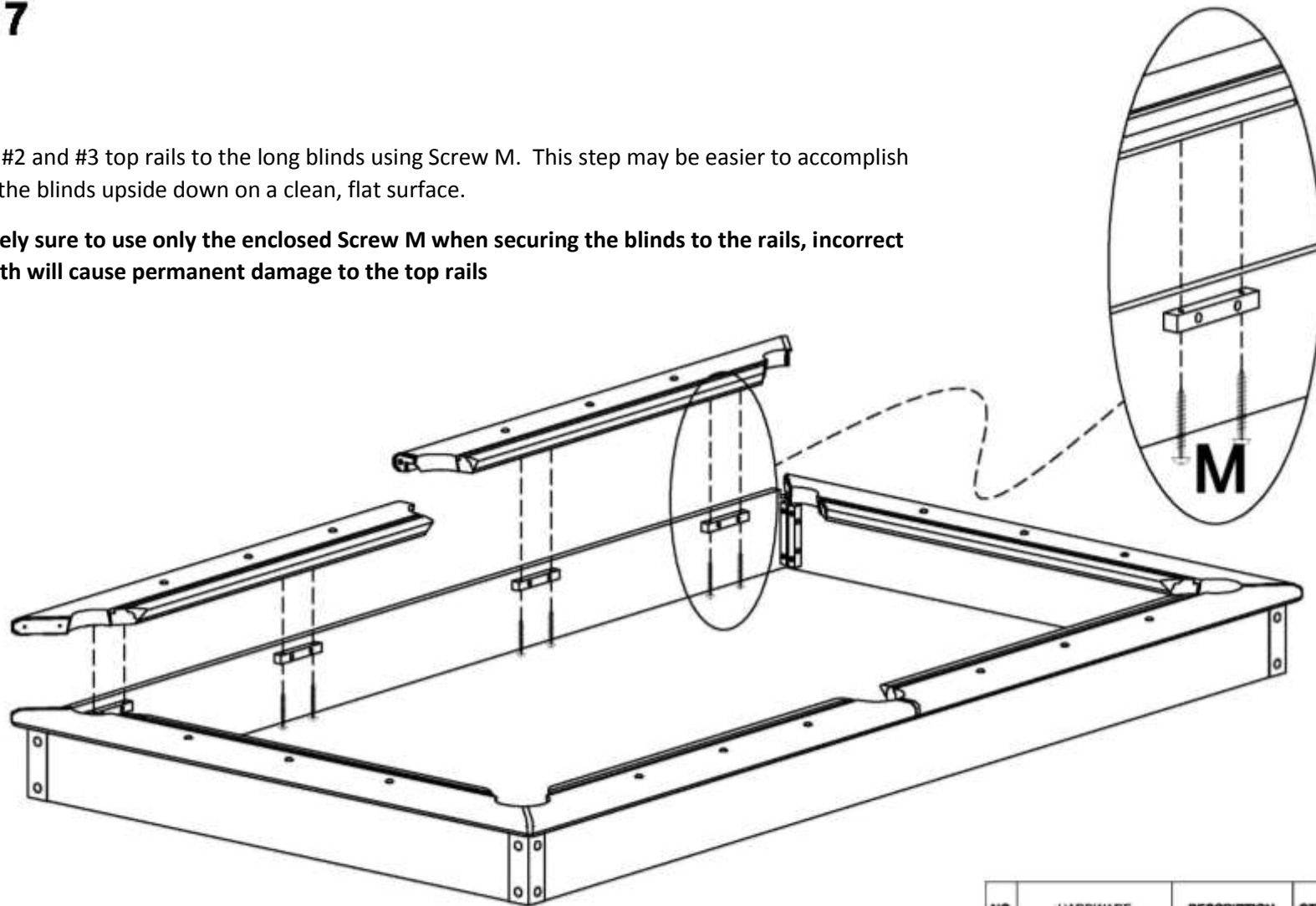
AMERICAN HERITAGE – QUEST TABLE

ASSEMBLY INSTRUCTION

STEP 7

Attach the #2 and #3 top rails to the long blinds using Screw M. This step may be easier to accomplish by placing the blinds upside down on a clean, flat surface.

Be absolutely sure to use only the enclosed Screw M when securing the blinds to the rails, incorrect screw length will cause permanent damage to the top rails



NO	HARDWARE	DESCRIPTION	QTY
M		P.H.R.S #8 x 1"	24

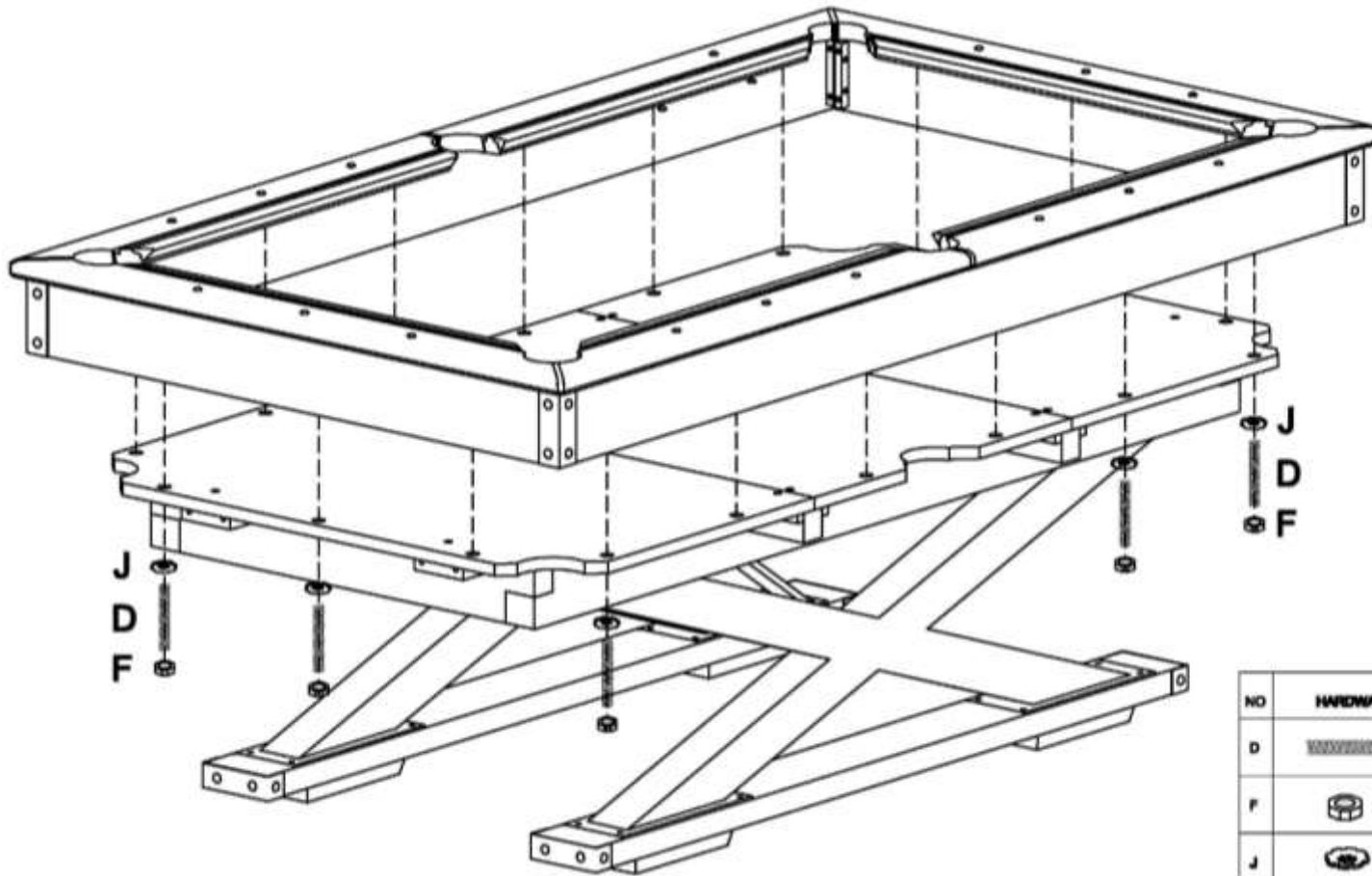
AMERICAN HERITAGE – QUEST TABLE




ASSEMBLY INSTRUCTION

STEP 8

Using two adults, carefully align the top rail/blind assembly over the playing surface and set down on the playing surface aligning the top rail inserts with the holes in the playing surface.

Attach the top rail/blind assembly to the playing surface using Rail Stud D, Dome Washer J, Nut F. (Dome Washer faces down)



NO	HARDWARE	DESCRIPTION	QTY
D		RAIL STUDS 5/16" x 2 3/4"	18
F		HEX NUT 5/16" x 12.5 mm	18
J		RAIL WASHER 3/8"	18

AMERICAN HERITAGE – QUEST TABLE

ASSEMBLY INSTRUCTION

STEP 9

NOTE: the side pockets and corner pockets ARE different and will only work correctly one way, make sure to follow the label “S” or “C” on the back of the pocket.

To install the pockets, squeeze the top of the pocket and bring it up through the pocket opening from the bottom. Be sure not to push back the pockets so they are flush against the rail; the first priority is to ensure they line up with the felt near the playing surface. Peel back the paper to reveal the sticky side of the velcro on the backside of the pocket to secure the pocket to the rail.

