




ASSEMBLY INSTRUCTION

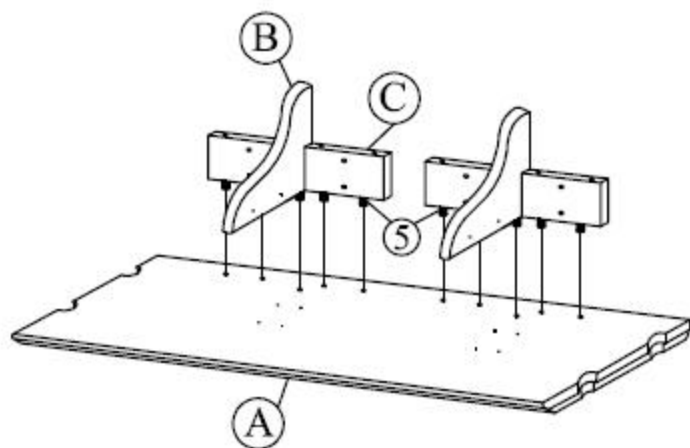
Read this instruction carefully. Refer hardware and furniture part list for guidance. Be sure all part are complete, before assembling. Place all wooden furniture part on a clean and soft surface to prevent scratcheds. Refer step provided as assembling guide.

WSLF - WALL SHELF

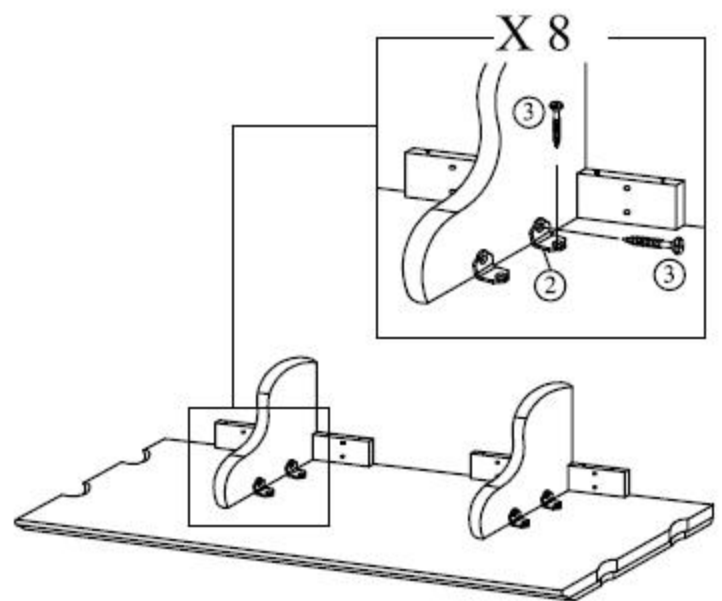
PART LIST		QTY
A		1
B		2
C		4

HARDWARE LIST		SIZE	QTY	OUTLOOK
1	LONG SCREW	M8 x 50MM	16	
2	L - BRACKET	18 x18 x1.8MM	8	
3	CSK - SCREW	M8 x 25MM	16	
4	WALL PLUG	7 x 25MM	8	
5	WOOD DOWELS	10 x 30MM	10	

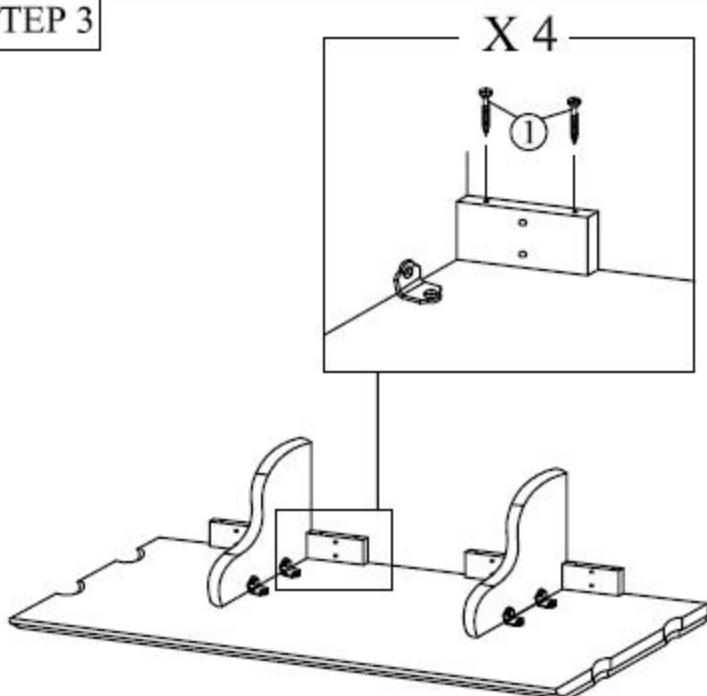
STEP 1



STEP 2



STEP 3



STEP 4

