

A

8 SETS
8*50MM

B

8 SETS
8*35MM

C

1 PC

D

8 PCS
4*25MM

E

1 PC

F

8 SETS

G

1 PC

H

8 PCS

I

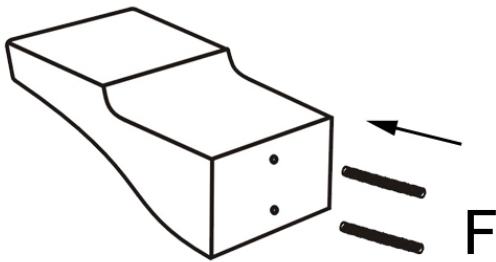
1 PC

J

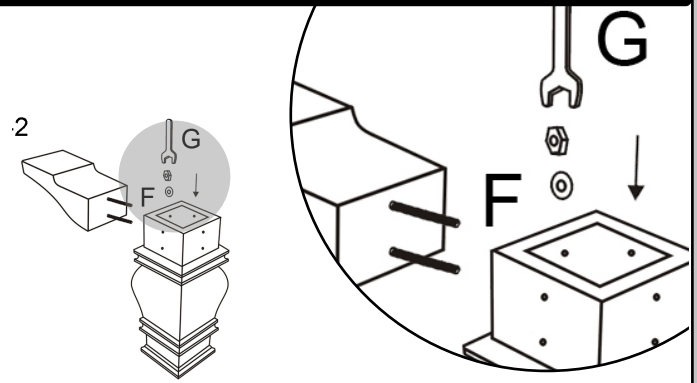
1 PC



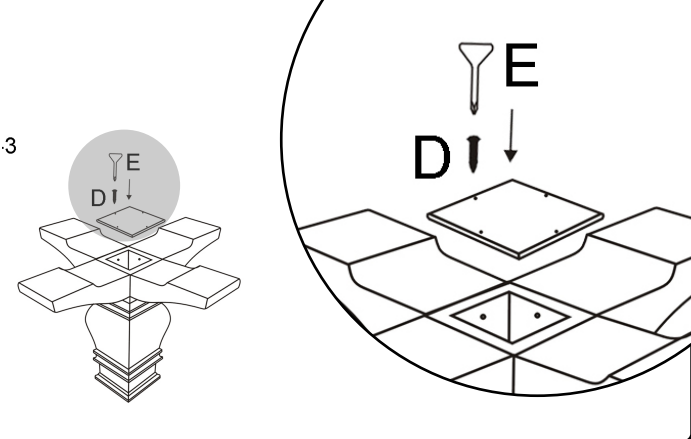
1 INSERT MOUNTING BOLTS



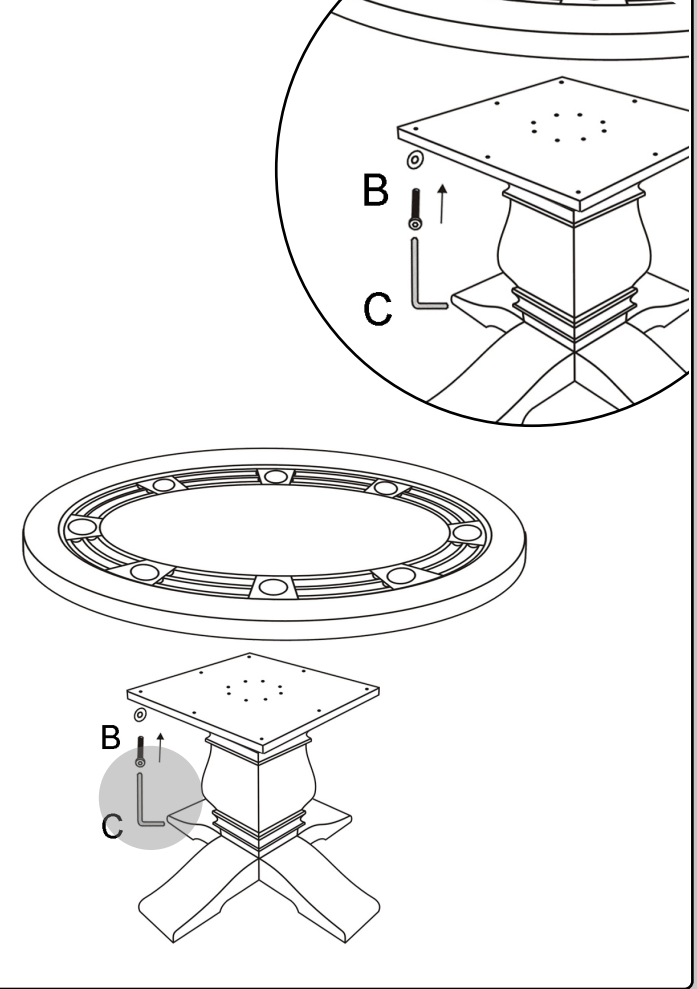
2 ATTACH FEET TO PEDESTALS, TIGHTEN FITTINGS



3 ATTACH BOTTOM PLATE



5 ATTACH TABLE TOP



4 ATTACH MOUNTING BOARD

