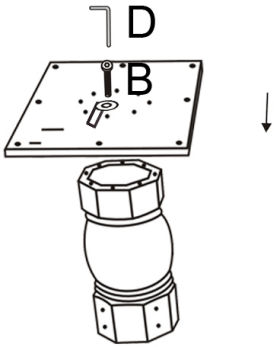


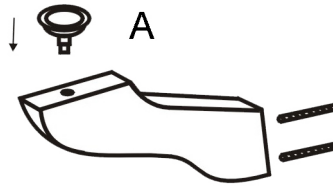
- |          |          |          |          |          |          |          |          |          |          |          |          |
|----------|----------|----------|----------|----------|----------|----------|----------|----------|----------|----------|----------|
| <b>A</b> | <b>B</b> | <b>C</b> | <b>D</b> | <b>E</b> | <b>F</b> | <b>G</b> | <b>H</b> | <b>I</b> | <b>J</b> | <b>K</b> | <b>L</b> |
| 4 PCS    | 16 SETS  | 16 SETS  | 1 PC     | 5 PCS    | 8 PCS    | 1 PC     | 1 SET    | 12 SETS  | 1 PC     | 1 PC     | 1 PC     |
|          | 8*50MM   | 8*35MM   |          | 4*12MM   | 4*25MM   |          |          |          |          |          |          |



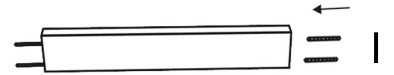
### 1 ATTACH MOUNTING BOARD TO PEDESTAL



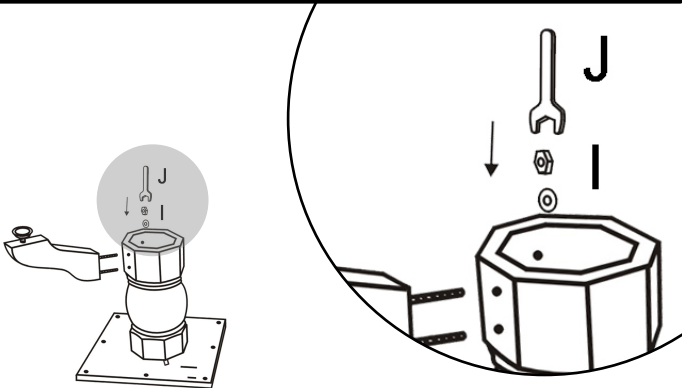
### 2 ATTACH LEVELER AND INSERT MOUNTING BOLTS



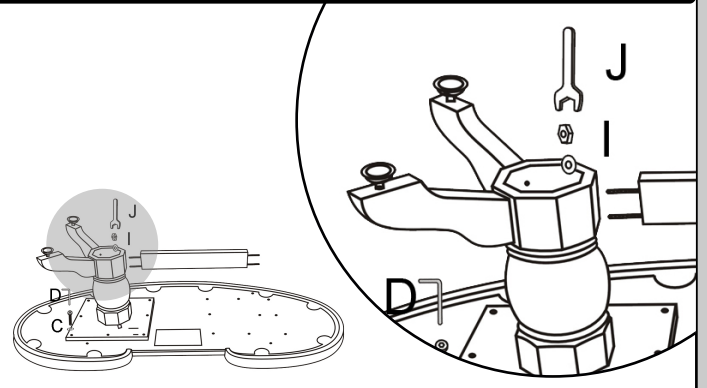
### 3 ATTACH MOUNTING BOLTS



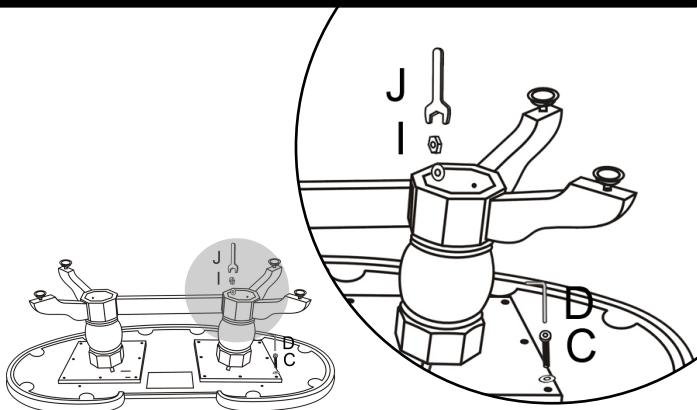
### 3 TURN COLUMN UPSIDEDOWN, ATTACH FEET TO COLUMN



### 4 ATTACH MIDDLE BEAM TO COLUMN



### 5 ATTACH BEAM AND TIGHTEN FITTINGS



### 6 ATTACH BOTTOM PLATE

