

Thank you for purchasing this quality product. It has been engineered for easy assembly yet constructed for durability. Be sure to check all packing material carefully for small parts, which may have come loose inside the carton during shipment. Identify and count all parts and compare with the part lists below.

Please be sure to read the notes section at the bottom of the page, and follow the instruction while assembling. Thank you

ASSEMBLY INSTRUCTION

SAVANNAH GAME TABLE

Model : 100744SA (DST 1821)

Size : 80" X 40" X 30" H

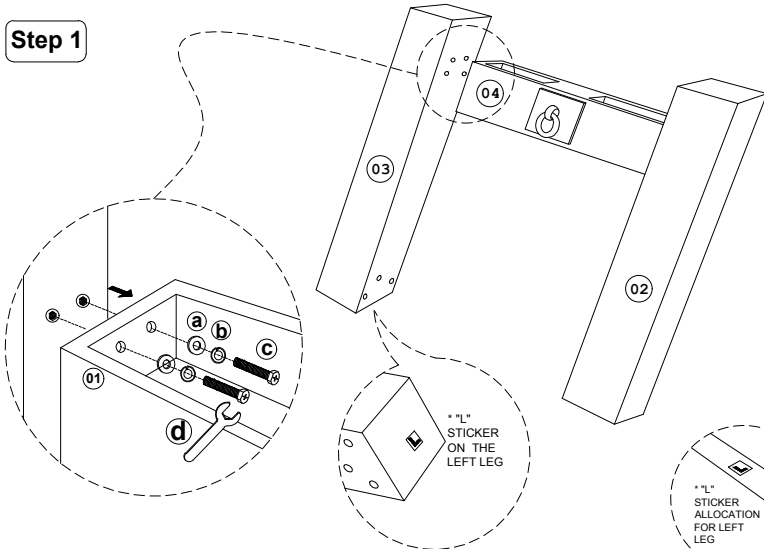
List of Part For 1 Set

Code	Figure	Hardware	Qty.
01		Table Top	1
02		Legs (R)	2
03		Legs (L)	2
04		Stretchers	2
05		Metal Parts	2

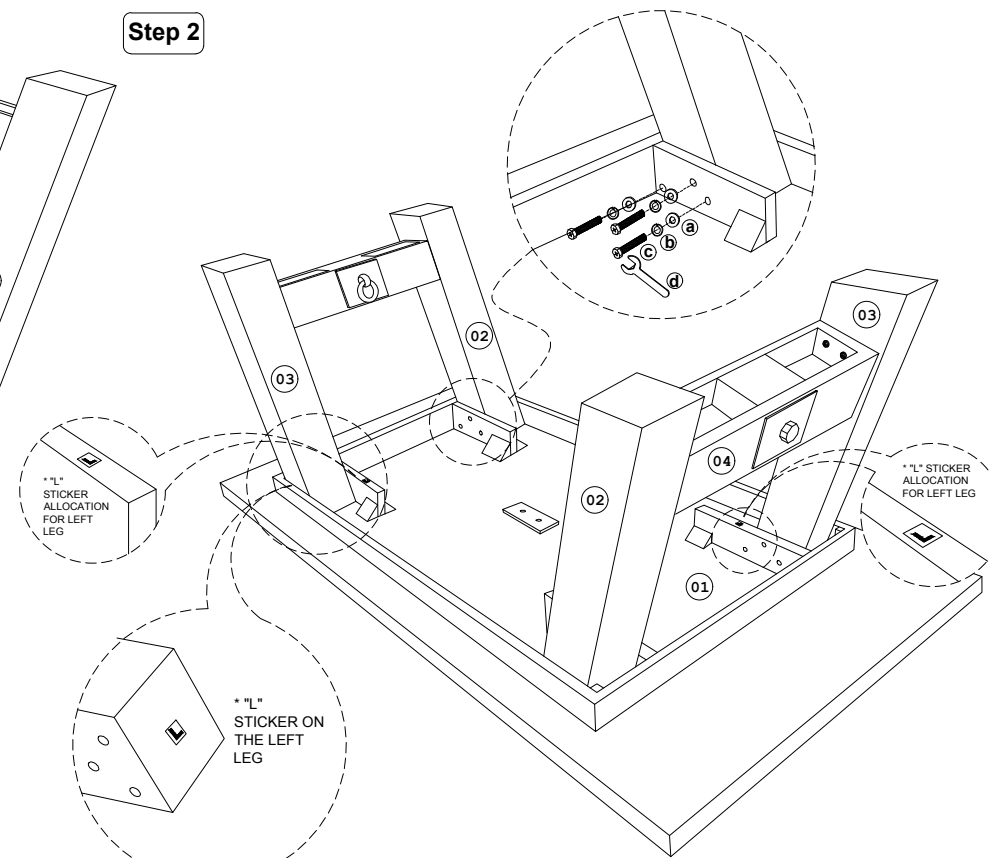
List of hardware For 1 Set

Code	Figure	Hardware	Qty.
a		Flat washer $\frac{5}{16}$ " x 22mm	20
b		Spring washer $\frac{5}{16}$ "	20
c		Hex. Com Bolt $\frac{5}{16}$ " x 2 $\frac{1}{2}$ "	20
d		Spanner 12.8mm	1
e		Flat washer $\frac{1}{4}$ " x 18 mm	2
f		Spring washer $\frac{1}{4}$ "	2
g		JCBC Bolt M6 x 25 mm	2
h		Allen key M4	1
i		Cup Holders	6

Step 1

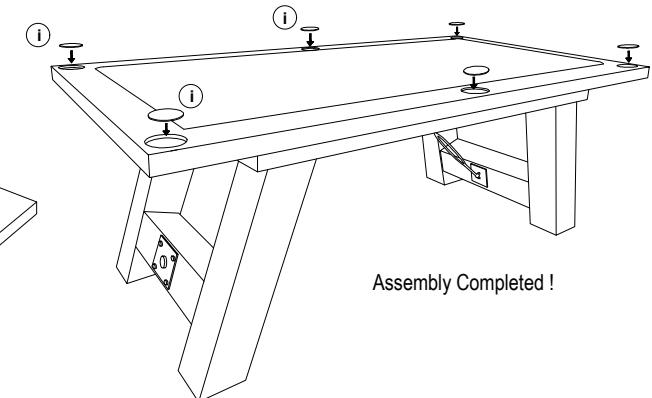
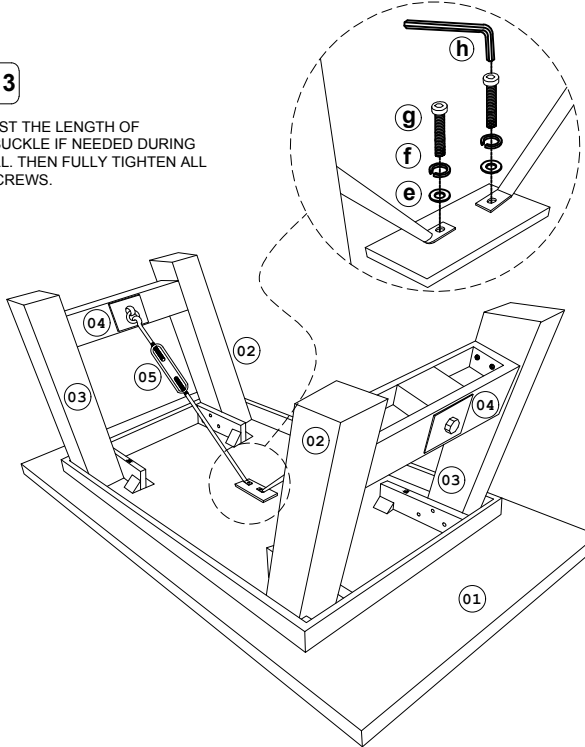


Step 2



Step 3

* ADJUST THE LENGTH OF TURNBUCKLE IF NEEDED DURING INSTALL. THEN FULLY TIGHTEN ALL THE SCREWS.



Notes

- * Place all wooden parts on a clean and smooth surface such as a rug or carpet to avoid the parts from being scratched.
- * Check to be sure that you have all parts and hardware.
- * Remove all wrapping materials including staples & packing straps before you start to assemble.

Care And Maintenance

- * The Touch of a soft cloth is all the maintenance your wood pieces will ever need.
- * Never use harsh chemicals or abrasive cleaner as they could mark or destroy finish.

Important Notes

- * Keep all hardware parts out of reach of children.
- * Beware when tightening all leg bolts not to crack the corner block from over tightening
- * Do not tighten all screw / bolt until all completely assembled
- * Don't attempt to repair or modify parts that are broken or defective. Please contact the store immediately.
- * If your table legs should loosen over time from use, be sure to tighten all leg bolts.

MADE IN MALAYSIA