

— EST. 1987 —

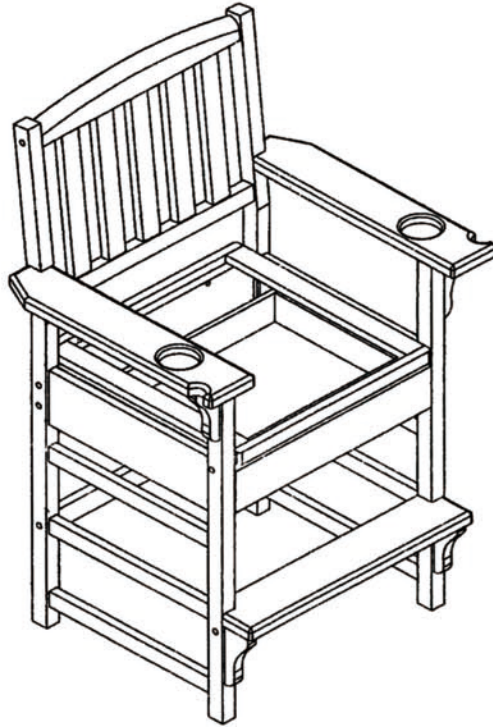
# AHB








HOME FURNITURE COLLECTIONS

ASSEMBLY INSTRUCTIONS

KING CHAIR

LOOSELY ATTACH EACH SCREW UNTIL FRAME IS ASSEMBLED THEN TIGHTEN WHEN COMPLETE



	HARDWARE LIST	QTY	OUTLOOK
I	JCBC BOLT	14	 SCALE 1:1
J	SPRING WASHER	14	 SCALE 1:1
K	FLAT WASHER	14	 SCALE 1:1
L	WOOD BUTTON	14	 SCALE 1:1
M	ALLEN KEY	1	
N	PH SCREW	4	 SCALE 1:1
O	CUP HOLDER (AMERICAN HERITAGE)	2	

MADE IN CHINA

— EST. 1987 —

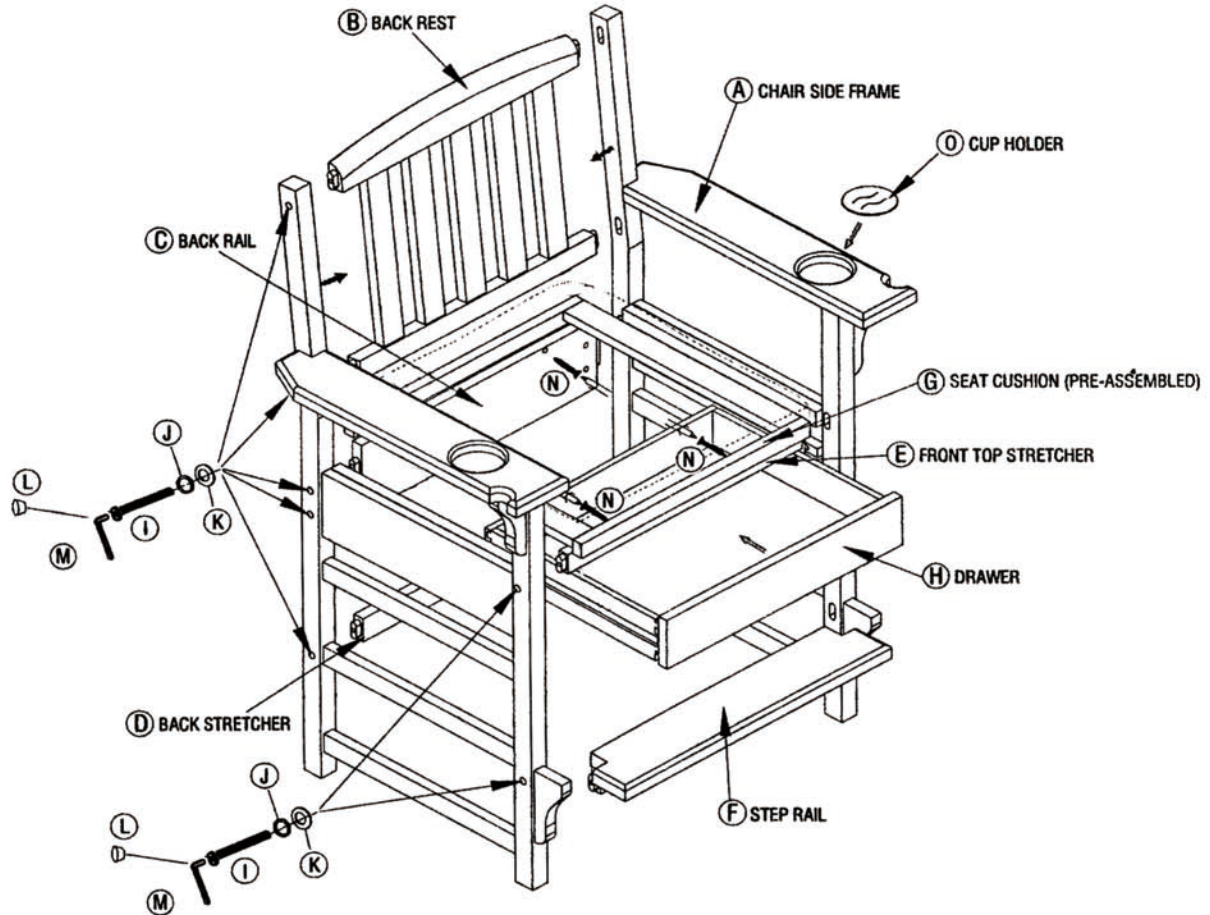
# A H B

HOME FURNITURE COLLECTIONS

ASSEMBLY INSTRUCTIONS

KING CHAIR

LOOSELY ATTACH EACH SCREW UNTIL FRAME IS ASSEMBLED THEN TIGHTEN WHEN COMPLETE



### STEP 1 :

Assemble left and right Chair Side Frame (A) together with Back Rest (B), Back Rail (C), Back Stretcher (D), Front Top Stretcher (E) and Step Rail (F) with JCBC Bolt (I), Spring Washer (J), Flat Washer (K) and using Allen Key (M).

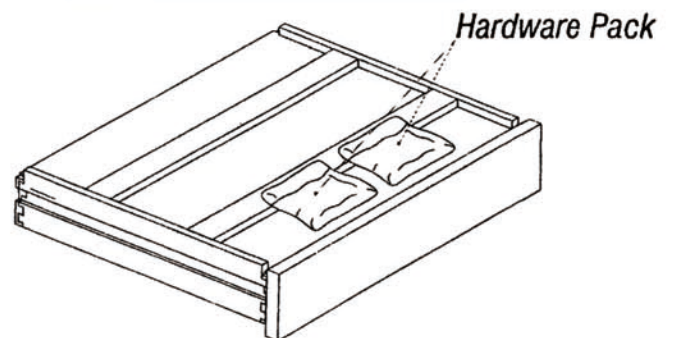
### STEP 2 :

Assemble the Seat Cushion (G) to Back Rail (C) and Front Top Stretcher (E) using DW Screw (N). Insert the Drawer (H).

### STEP 3 :

Insert the Wood Button (L) to cover the bolt holes.  
Place the Cup Holder (O) into cup holder hole at arm rest.

**IMPORTANT NOTE :**  
*HARDWARE PACKED LOCATION*



Assembly is completed  
THANK YOU FOR YOUR PURCHASE.

MADE IN CHINA