

MHP15HD

TRAILER MOUNTED BOOM LIFT



- Working height of up to 14.8m
- Heavy duty trailer mounted articulated boom lift
- Superb and efficient engine for a smooth and accurate response
- Easy to use outrigger/boom safety interlocks
- Ideal for a wide range of applications

AUSLIFT
EQUIPMENT

snorkel

www.snorkellifts.com

TRAILER MOUNTED BOOM LIFTS

MHP15HD

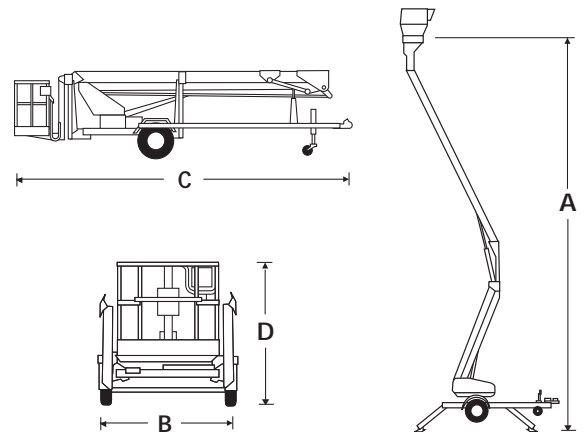
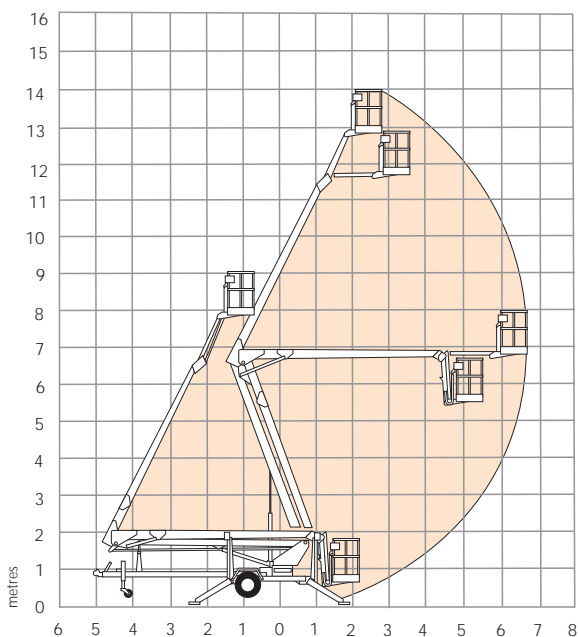
DIMENSIONS	MHP15HD
Max. working height	14.8m
Max. platform height (A)	12.8m
Horizontal outreach	7m at 8m
Platform size	1.24m x 0.77m x 1.1m
Outrigger footprint	3.7m x 3.6m
Overall width (outriggers extended)	3.7m
Overall width (outriggers retracted) (B)	1.77m
Overall length (C)	7.45m
Transport height (D)	1.9m

PERFORMANCE	
Platform capacity	227kg
Platform capacity (with rotator)	200kg
Max. wind speed	12.5m/sec
Max. towing speed	80km/h
Levelling	Mechanical
Turntable rotation	540° non-continuous
Tyres	235/75 R15
Brakes	Hydraulic disc
Max. axle capacity	2,000kg
Trailer tongue weight	90kg
Insulation rating	Nil

POWER	
Power source	Honda petrol engine 5.5Hp
Hydraulic system	Proportional electro/hydraulic

WEIGHT	
Gross weight	1,760kg

WORKING ENVELOPE



STANDARD FEATURES

- Jib with 140° motion
- Two man steel platform
- Heavy duty tow coupling
- Heavy duty jockey wheel
- Hydraulic disc brakes
- Reliable petrol engine
- Lifting lugs
- Hour meter
- Hydraulic outriggers

OPTIONS

- 360° continuous rotation turntable
- Flashing light
- 110/240V AC GFCO power to platform
- Platform rotator
- Automatic stabilisers
- 10.9m cut out switch
- Alternative power options

AUSLIFT
EQUIPMENT

Distributed by:
Auslift Equipment
 2/2-4 Souffi Place
 Dandenong South, Vic. 3175
 Telephone: 03 9702 7977
 Email: sales@auslift.com.au
 Website: www.auslift.com.au