

Self-Propelled Telescopic Booms

S[®]-85 XC[™]

Specifications

Model	S-85 XC	
Measurements	Metric	US
Working height maximum*	27.91 m	91 ft
Platform height maximum	25.91 m	85 ft
Horizontal reach maximum	22.71 m	74 ft 6 in
Below ground reach	2.69 m	8 ft 10 in
A Platform length	0.91 m	3 ft
B Platform width	2.44 m	8 ft
C Height - stowed	2.80 m	9 ft 2 in
D Length - stowed	12.37 m	40 ft 7 in
Length - transport (jib tucked under)	11.60 m	38 ft
E Width	2.49 m	8 ft 2 in
F Wheelbase	2.85 m	9 ft 4 in
G Ground clearance - center	0.40 m	15.8 in

Productivity

Maximum lift capacity - unrestricted	300 kg	660 lb
- restricted	454 kg	1,000 lb
Platform rotation	160°	
Vertical jib rotation	135°	
Turntable rotation	360° continuous	
Turntable tailswing	1.60 m	5 ft 3 in
Drive speed - stowed	4.8 km/h	3.0 mph
- raised/extended	0.2 m/s	0.50 mph
Gradeability - stowed**	45%	
Turning radius : inside	3.66 m	12 ft
outside	6.55 m	21 ft 6 in
Controls	12V DC proportional	
Tyres - RT foam filled	18-625, 16 ply	

Power

Power source	Deutz TD 2011 L04i, 74 hp (55 kW), Stage IIIA	
Auxiliary power unit	12V DC	
Hydraulic tank capacity	151 L	40 gal
Fuel tank capacity - diesel	132 L	35 gal

Sound & Vibration Levels

Sound pressure level (ground workstation)	83 dBA	
Sound pressure level (platform workstation)	71 dBA	
Vibration	<2.5 m/s ²	<8 ft 2 in/s ²

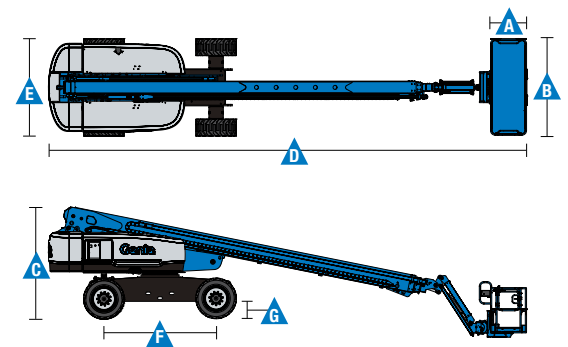
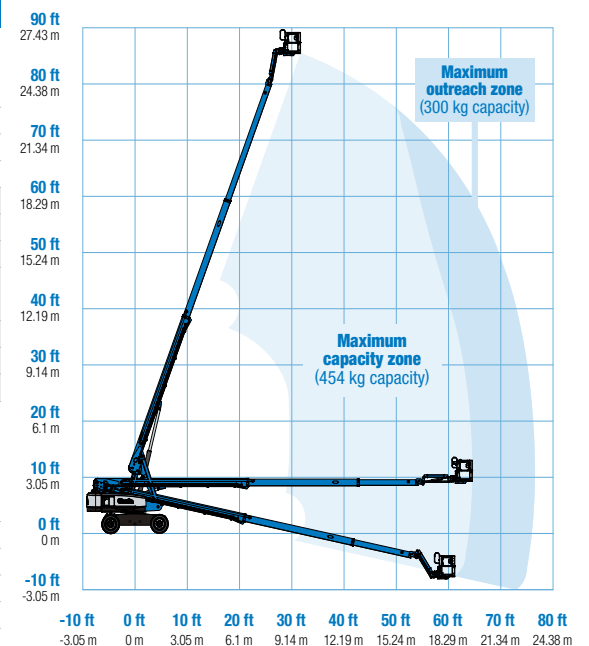
Weight***

4WD	18,126 kg	39,959 lbs
-----	-----------	------------

Standards Compliance

AS/NZS 1418.10

Range Of Motion S-85XC



* The metric equivalent of working height adds 2 m to platform height. U.S. adds 6 ft to platform height.
 ** Gradeability applies to driving on slopes. See operator's manual for details regarding slope ratings.
 *** Weight will vary depending on options and/or country standards.

Self-Propelled Telescopic Booms

S[®]-85 XC[™]

AUSLIFT
EQUIPMENT

Genie
A TEREX BRAND

Features

Standard Features

Measurements

- 27.91 m (91 ft) working height
- 22.71 m (74 ft 6 in) horizontal reach
- 300 kg (660 lb) unrestricted and 454 kg (1,000 lb) restricted lift capacity

Productivity

- Steel 2.44 m (8 ft) tri-entry platform with side swing gate
- Self-leveling platform
- 160° hydraulic platform rotation
- Thumb rocker steering
- Proportional joystick controls
- Hydraulic oil cooler
- Drive enable system
- Chassis tilt drive function cut-out
- AC power cord to platform
- Horn
- Hour meter
- Tilt alarm
- Descent motion & travel alarms
- Flashing beacon
- 360° continuous turntable rotation
- Positive traction drive
- Two speed wheel motors
- On board full diagnostics
- Dual battery system
- Telematics ready connector
- Lift Guard[™] Contact Alarm
- Lockable platform & ground control box covers

Power

- Lift Power[™] 7.5 kW generator, 240V/50Hz
- 12 V DC auxiliary power
- Anti-restart engine protection
- Auto engine fault shutdown
- Deutz intake air heater
- Deutz Stage IIIA turbo diesel 55 kW (74 hp)

Drive

- 4 x 4

Axle

- Active oscillation

Tyres

- Rough terrain non-marking foam-filled

Options & Accessories

Productivity Options

- Half-mesh platform inserts
- Air line to platform
- Work lights package
- Biodegradable hydraulic oil
- Operator Protective Structure
- Fall arrest bar

Power Options

- Diesel catalytic purifier muffler
- Diesel catalytic scrubber muffler



Distributed by: Auslift Equipment
2/2-4 Souffi Place,
Dandenong South. Vic.3175
Telephone : 03 9702 7977
Email: sales@auslift.com.au
Website: www.auslift.com.au

AUSLIFT
EQUIPMENT

Effective Date: May, 2018. Product specifications and prices are subject to change without notice or obligation. The photographs and/or drawings in this document are for illustrative purposes only. Refer to the appropriate Operator's Manual for instructions on the proper use of this equipment. Failure to follow the appropriate Operator's Manual when using our equipment or to otherwise act irresponsibly may result in serious injury or death. The only warranty applicable to our equipment is the standard written warranty applicable to the particular product and sale and we make no other warranty, express or implied. Products and services listed may be trademarks, service marks or trade names of Terex Corporation and/or their subsidiaries in the USA and many other countries. Genie is a registered trademark of Terex South Dakota, Inc. © 2018 Terex Corporation.