

### Specifications

MODEL	GRC™-12	
Measurements	Metric	US
Working height*	5.66 m	18 ft
Platform height	3.66 m	12 ft
<b>A</b> <b>B</b> Platform dimensions (length x width)		
Ext Platform dimensions - retracted	99 x 75 cm	39 x 29.5 in
Ext Platform dimensions - extended	1.4 m x 75 cm	55 x 29.5 in
<b>C</b> Height - stowed	1.70 m	67 in
<b>D</b> Length - stowed	1.37 m	4 ft 6 in
<b>E</b> Width	80 cm	2 ft 7.5 in
<b>F</b> Ground clearance - center	6.3 cm	2.5 in

### Productivity

Max platform occupancy (indoor/outdoor) <sup>1</sup>	2/-	2/-
Lift capacity	227 kg	500 lbs
Drive speed - stowed	4.0 km/h	2.5 mph
Drive speed - raised	0.8 km/h	0.5 mph
Gradeability**	30%	30%
Turning radius - inside	zero	zero
Turning radius - outside	1.35 m	4 ft 5 in
Raise / lower speed	12 / 16 sec	12 / 16 sec
Controls	24V DC proportional	24V DC proportional
Tyres - solid non-marking	25 x 8 x 20 cm	10 x 3 x 8 in

### Power

Power source	24V (four 6V 225 Ah batteries)	
Hydraulic system capacity	8.33 L	2.2 gal

### Sound & Vibration Levels

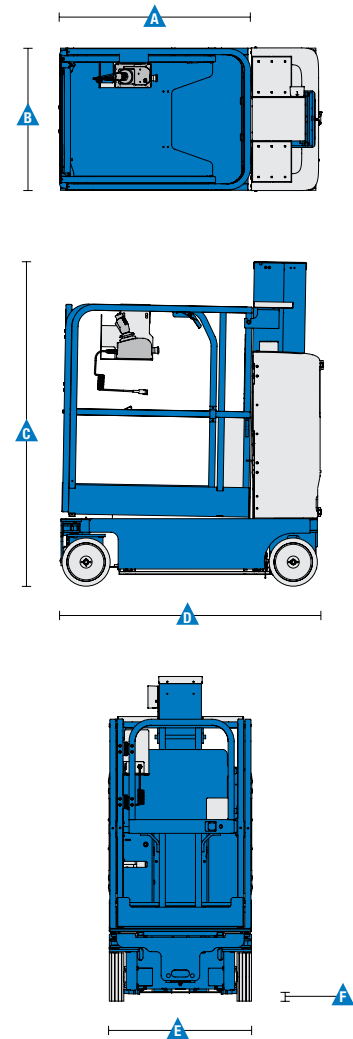
Sound pressure level (ground workstation)	<70 dBA	
Sound pressure level (platform workstation)	<70 dBA	
Vibration	<2.5 m/s <sup>2</sup>	<98.4 in/s <sup>2</sup>

### Weight\*\*\*

	950 kg	2,094 lbs
--	--------	-----------

### Standards Compliance

ANSI A92.6, CSA B354.2, CE Compliance, AS 1418.10



<sup>1</sup> Indoor use only.

\* The metric equivalent of working height adds 2 m to platform height. U.S. adds 6 ft to platform height.

\*\* Gradeability applies to driving on slopes. See operator's manual for details regarding slope rating.

\*\*\* Weight will vary depending on options and/or country standards.

## Features

### Standard Features

#### Measurements

- 5.66 m (18 ft) working height
- 3.66 m (12 ft) platform height
- Up to 227 kg (500 lbs) lift capacity

#### Productivity

- 2-person rated
- Smart Link™ control system (joystick, 2 proportional lift speeds & 2 selectable proportional drive speeds, user-friendly diagnostics)
- Auxiliary platform lowering
- Low 39 cm (15.5 in) platform entry height
- Work station tray
- Steel tube-in-tube mast system
- Compact base 80 cm x 1.37 m (31.5 x 54 in)
- Ground clearance 6.4 cm (2.5 in) (stowed)
- Fully proportional lift and drive controls
- Battery charge indicator
- On-board diagnostic system
- Descent and tilt alarm
- Zero inside turning radius
- Dual wheel brakes
- Hydraulic brake release
- Pothole protection
- Hinged rear ABS covers for easy access to all major electrical and hydraulic components
- Tie down attachment points
- Overhead crane attachment point
- Large forklift pockets access
- Certified load sensor
- Dual flashing beacons
- Motion alarm
- Automotive-style horn
- Drive cutout while charging

### Standard Features

#### Platform

- 99 cm x 75 cm (39 x 29.5 in) steel platform and extension deck with swing gate

#### Power

- 24V (four 6V 225 Ah batteries) with automatic 25 amp battery charger

#### Tyres

- Non-marking solid

### Options & Accessories

#### Productivity Options

- 240 V power to platform
- Biodegradable hydraulic oil

#### Power Options

- AGM maintenance-free batteries



### Distributed by:

#### Auslift Equipment

2/2-4 Souffi Place  
Dandenong South. Vic. 3175  
Telephone: 03 9702 7977  
Email: sales@auslift.com.au  
Website: www.auslift.com.au

**AUSLIFT**  
EQUIPMENT