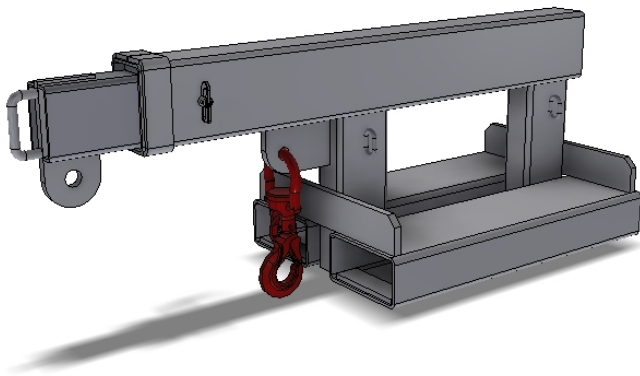


## Product Specification

### DHE-RJS 2.5 SHORT FIXED JIB

The DHE-RJS2.5 Rigid Jib 2.5 Ton Short allows for additional lifting height with the extension beam raised above the fork pockets. The overall length when retracted is 1.3 metres and when extended is 2 metres. Zinc plated finish.



#### SPECIFICATIONS:

- Safe Working Load (SWL 2500kg Max)
- Unit weight 100kg
- Load centre 790mm
- Pocket size 185 x 65 mm
- Pocket centres 275 mm
- Horizontal Centre of Gravity 630mm
- Vertical Centre of Gravity 135mm

SAFE WORKING LOADS (SWL) PER POSITION				
POSITION	1	2	3	4
EXTENSION	790	1200	1580	1960
SWL (kg)	2500	1200	900	750

