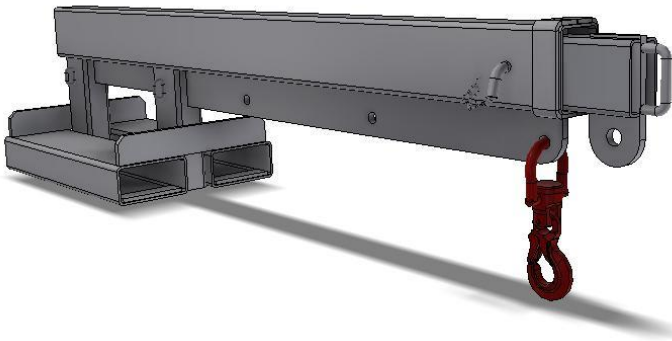


Product Specification

DHE-RJL 2.5 TON RIGID JIB LONG

The DHE-RJL2.5 Ton Rigid Jib Long is designed as an affordable general-purpose jib with a 3.5 metre reach when fully extended, allowing for long reach lifts. Simply slide onto the Fork Tines and secure with safety chain. The standard finish on this unit is Zinc plated. Supplied with Hook and Shackle.



SPECIFICATIONS:

- Safe Working Load (SWL 2500kg Max)
- Unit weight 135kg
- Load centre 950mm
- Pocket size 185 x 65 mm
- Pocket centres 275 mm
- Horizontal Centre of Gravity 1160mm
- Vertical Centre of Gravity 185mm

SAFE WORKING LOADS (SWL) PER POSITION								
POSITION	1	2	3	4	5	6	7	8
EXTENSION (mm)	950	1410	1870	2000	2380	2760	3140	3520
SWL (Kg)	2500	2500	1900	1650	1250	650	380	240
HCoG (mm)	747	747	747	747	831	912	995	1070
VCoG (mm)	185	185	185	185	185	185	185	185

