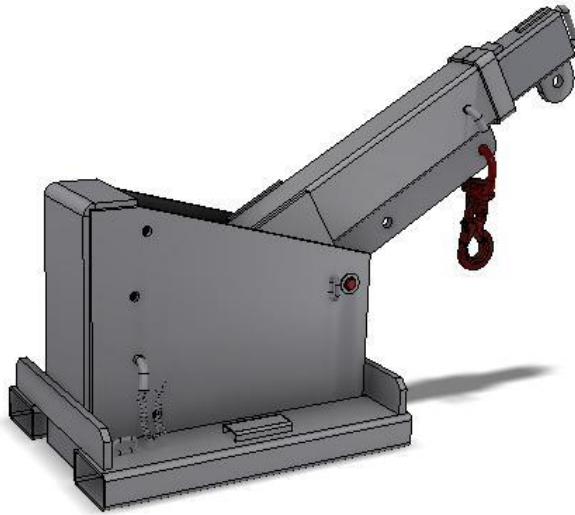


Product Specification

INCLINE JIB 2.5 TONNE SHORT DHE.IJS2.5



The DHE-IJS2.5 Incline Jib 2.5 Ton Short allows for additional height, compensating for length of the hook and slings when lifting. The jib boom can be set at 3 angled positions as well as level. This jib also offers 5 different hook positions with a 2 metre maximum reach. Manufactured with a zinc plated finish, they are supplied with a Safety Swivel Hook and Shackle.

SPECIFICATIONS:

- Safe Working Load (SWL 2500kg Max)
- Unit weight 143kg
- Pocket size 185 x 65 mm
- Pocket centres 337 mm
- Horizontal Centre of Gravity 535mm
- Vertical Centre of Gravity 300mm
- Load Centre 825mm

