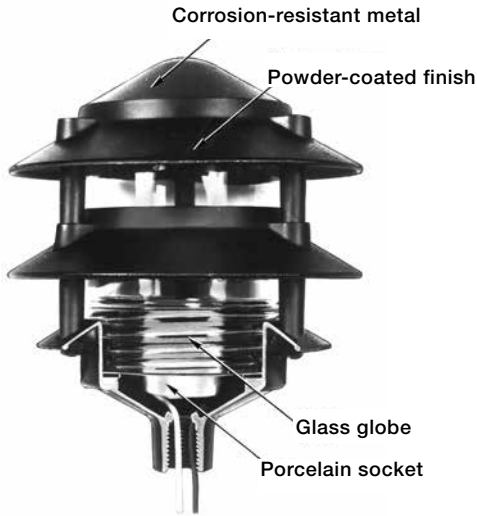


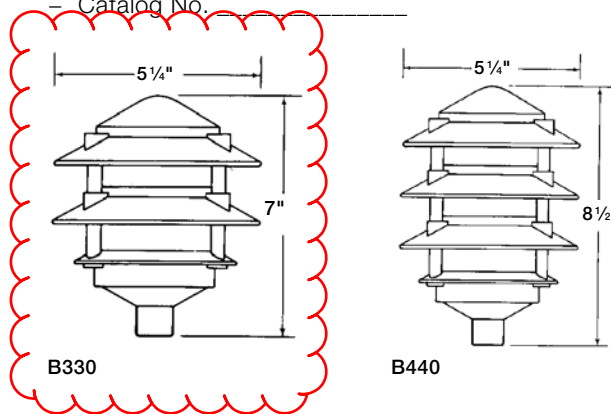
CM Marine Red Dot Pagoda Light



Sample Specifications:

- Fixture shall be certified die-cast zinc alloy ZAMAK 3; socket shall be porcelain, center contact and replaceable; socket shall have extended leads for easy wiring; fixture shall be Red•Dot® Dry-Tite™

- Catalog No.



Applications:

- Lighting for walkways, paths or driveways
- Accent lighting for garden and terrace areas
- Ground-level security lighting

Features/Benefits:

- Certified zinc alloy provides increased corrosion resistance
- High-quality replaceable porcelain socket with high-temperature leads enables easy field maintenance

Standard materials:

- Fixture: Die-cast zinc alloy ZAMAK 3
- Globe: Lime crystal glass
- Socket: Center contact, porcelain, medium base

Compliances:

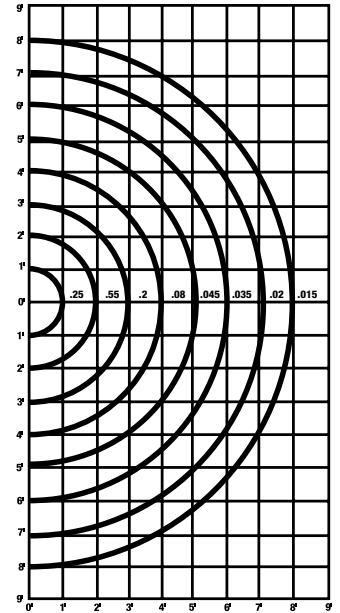
- UL® Listed
- Suitable for use in wet locations

Photometrics:

Based on lamp center 24" above ground

Based on 100-Watt A-19 inside-frosted 1750-lumen lamp. For other wattage see table below.

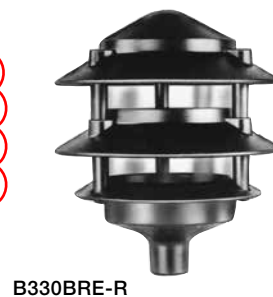
Wattage	Multiplier
100	1.0
75	.68
60	.44
50	.27
40	.26
25	.13



Iso Foot Candles

Cat. No.	Color	Lamp (max)	Description	Std. Qty.
Three tier				
B330BRE-R	White	75	12" extended leads, gasket and ground screw globe	4
VGL-075	Clear	75	Glass globe	1
Four tier				
B440BRE-R	Bronze	75	12" extended leads, gasket and ground screw globe	4
VGL-01	Clear	75	Glass globe	6

Note: Lamp not included.



B330BRE-R



B440BRE-R