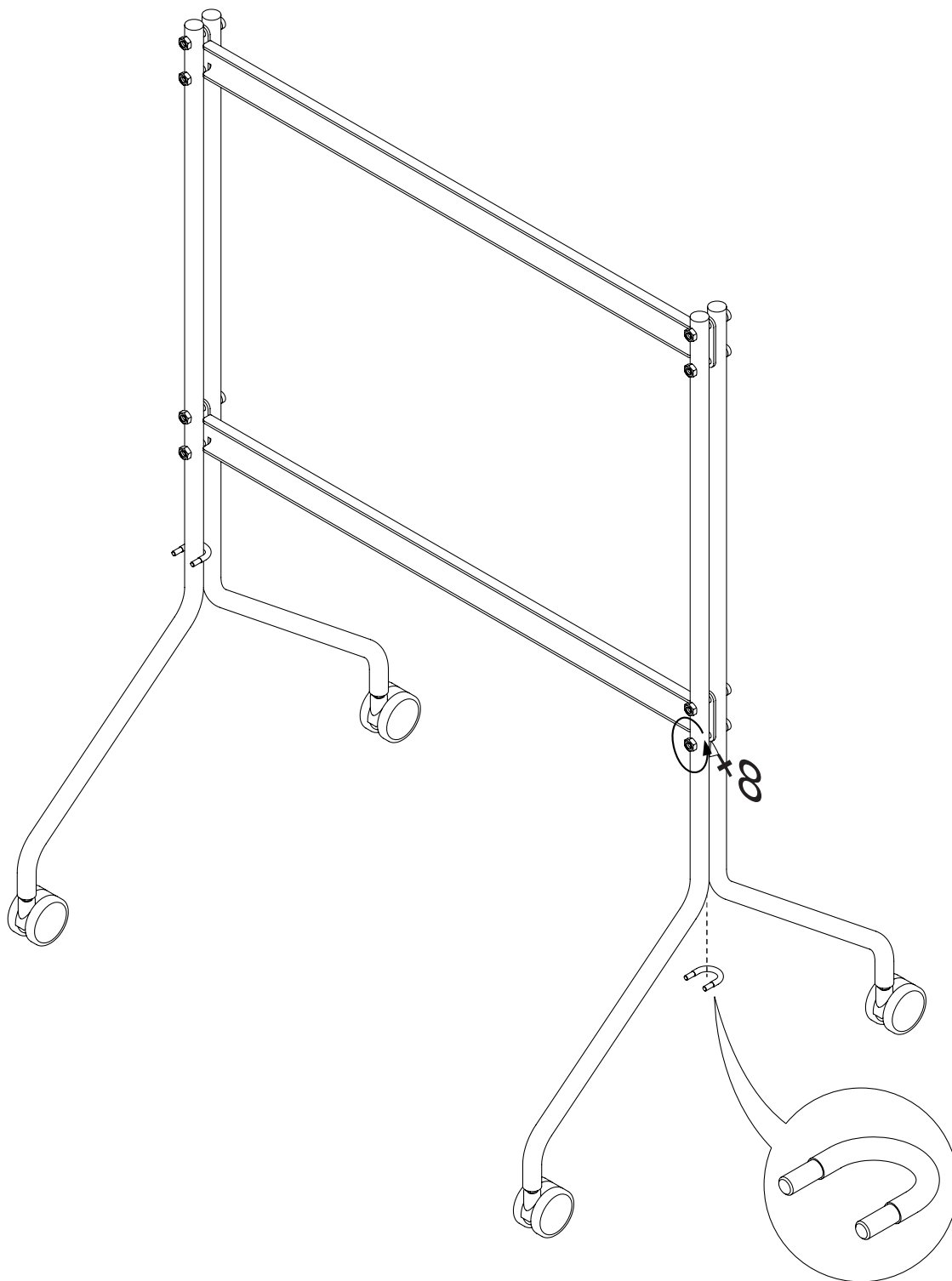


Moon Rollin' Shelf

Assembly
Guide

pedestal®

1.0 Prepare



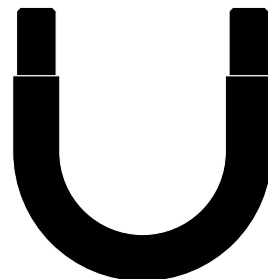
Task

Remove the screen from your stand and place it somewhere safe.
Loosen all eight nuts slightly to make installation a breeze.

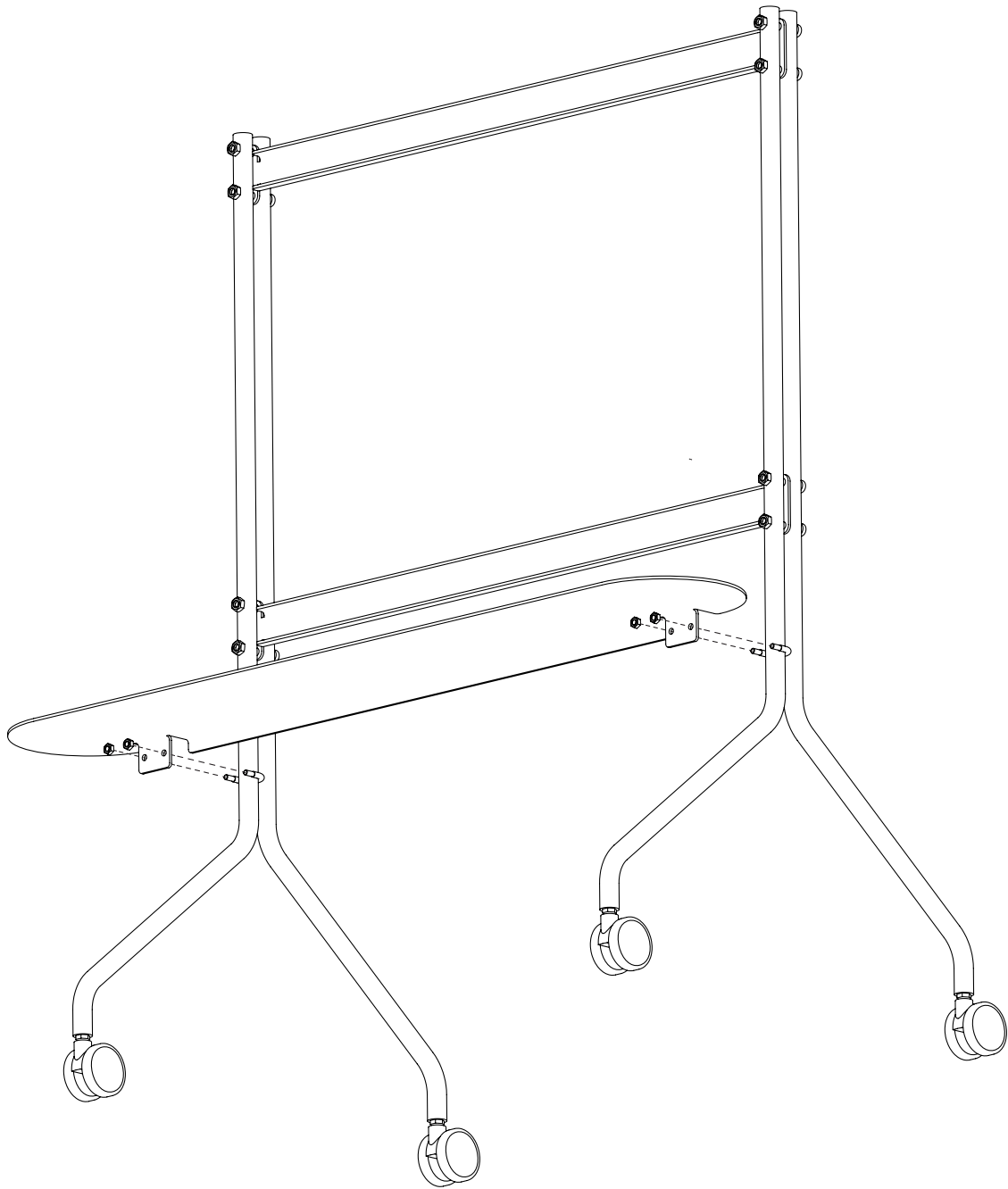
Place the U-Bracket between the legs as shown.

Parts

2 x U-brackets



2.0 Mount Shelf



Task

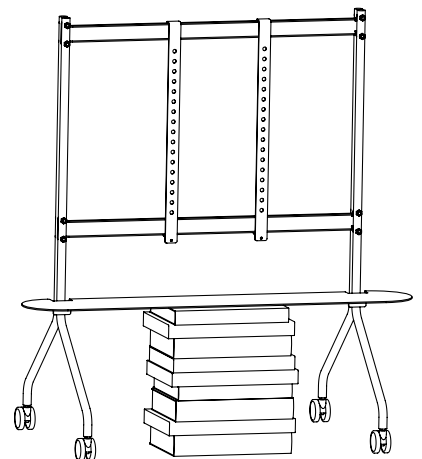
Mount the shelf to the two front legs, using the four M6 Nuts, as shown.

Parts

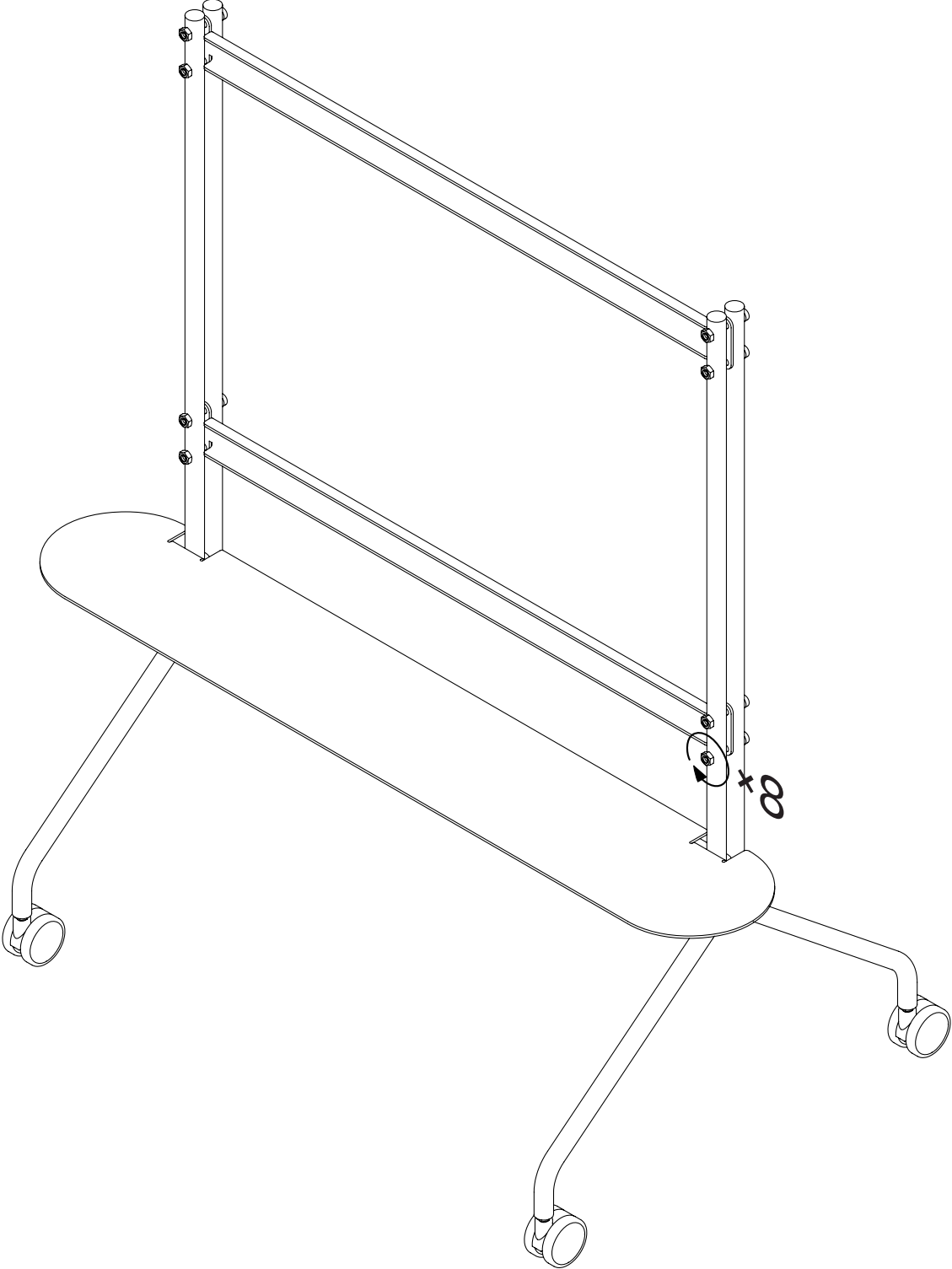
4 x M6 Nuts

Hot tip!

Use a box or a stack of books to align the shelf when installing.



3.0 Tighten



Task

Tighten all connections and remount the screen.

All done

