



**WINCHES  
AUSTRALIA**  
Quality Winch Solutions



# AC Electric Winch

OWNER'S MANUAL

Revision: 1.1



**QUALITY  
WINCH SOLUTIONS**



THIS PAGE INTENTIONALLY LEFT BLANK

**Proprietary Statement**

© Copyright 2021 HES Winches Australia. All rights reserved. No part of this publication may be reproduced, photocopied, stored on a retrieval system, or transmitted without the express prior written consent of the publisher.

**Disclaimer**

While all care has been taken in the development of this product, no loss of any kind is accepted by HES Winches Australia or its agents arising from the use of this document.

HES Winches Australia makes no representations or warranties with respect to the contents of this document, and specifically disclaims any express or implied warranties or fitness for any particular purpose. Further, HES Winches Australia reserves the right to revise this publication and to make changes to its contents, at any time, without obligation to notify any person or entity of such revisions or changes.

**Trademarks**

HES Winches Australia is a registered trademark. Other trademarks may exist which are not explicitly noted here and they remain registered to the appropriate organisations.

**Revision History**

<b>Revision</b>	<b>Date</b>	<b>Details of Change</b>
1.0	25/11/2016	First Release
1.1	30/04/2018	QR Code & Contact update

# Table of Contents

## Preface

### CHAPTER 1 | Safety

Safety Overview .....	8
Task Safety Process .....	8
Winch Preparation .....	10
Post-Delivery Inspection .....	10
General Checks Before Use .....	10
Safe Operation .....	10
Operating Safety Rules .....	10
Before Commencing Work: .....	10
Overheating .....	12
Maintenance Safety .....	12
General Safety Rules .....	12

### CHAPTER 2 | System Overview

General Description .....	13
General Specifications .....	13
Standard Features .....	14
Example Applications .....	15
General Assembly .....	16

### CHAPTER 3 | Installation

Mounting the OZWINCH .....	18
----------------------------	----

### CHAPTER 4 | Operation

Operator Controls .....	19
Emergency Stop .....	19
Using the Winch .....	20
Routine Running Checks .....	20
Maintenance .....	20
Troubleshooting .....	21

### Appendix 1 | Warranty Terms and Conditions

### Appendix 2 | CE Certificate

## Contact Details



### Head Office

Phone: 1300 946 242  
Mobile: 0477 946 242

Email Sales: [sales@heswinches.com.au](mailto:sales@heswinches.com.au)  
Email Accounts: [accounts@heswinches.com.au](mailto:accounts@heswinches.com.au)

Website: [www.heswinches.com.au](http://www.heswinches.com.au)

Postal: HES Winches Australia  
P.O. Box 688  
Helensvale  
Queensland 4212  
Australia

Address: 27/ 11-17 Cairns Street  
Loganholme  
Queensland 4129  
Australia

## **Preface**

We thank you for choosing a HES Winches Australia product. This document is intended for engineering staff and provides the information necessary to safely operate and maintain the Winch.

This equipment is the result of extensive design and development and is acknowledged as being a superior product in its category. We congratulate you on your discerning choice and wish you many years of productive service.

Read this manual carefully before operating the equipment or performing any maintenance on the Winch. It is advised that this manual be kept with the machine at all times as a reference.

For further information please contact HES Winches Australia using the contact details provided on the previous page.

## Warranty

As Australia's leading Winch supplier, we understand that in addition to getting the best equipment for your requirements, you also need to keep it operational, which is why we back our superior equipment with responsive service and repair capabilities. All repairs and maintenance are performed by accredited technicians.

An extensive selection of spare parts for most models is available to minimise any delays to equipment repairs.

HES Winches Australia provides a limited warranty for goods of our own manufacture against defective workmanship and materials which have substantially diminished or are likely to substantially diminish the life or functionality of the goods for a period of twelve months from the date of despatch.

To read the full warranty terms and conditions please refer to Appendix 1 located at the rear of this manual.

For any warranty claims please contact HES Winches Australia.  
HES Winches Australia reserves the right to request any claimant to supply a copy of the tax invoice as part of the claim.

## CHAPTER 1 | Safety



There are safety risks for people and machinery when working with this Winch. Compliance with safety precautions and risk management standards are vital in mitigating the risk of injury, or damage to the equipment.

Following the safety guidelines will help minimise the risk of injury and ensure a trouble free working life for your Winch.

This Electric Winch is designed for Lifting and Winching objects only. Do not use the Winch for lifting a person.

Read and follow all instructions indicated on the attached plate of the OZWINCH, including allowable lifting weight, speed and voltage etc.

Do not exceed the rated allowable lifting capacity indicated on the attached plate. The Electric Winch should be operated by a skilled operator only.

### Safety Overview

Read and follow **all** operating and safety instructions contained in this Owner's Manual.

If you are unable to identify hazards or do not understand the process for use of the RISK MATRIX, stop the job and consult a qualified Occupational Health and Safety consultant.



#### **WARNING**

This symbol has been used throughout this manual and on the equipment to highlight important safety information. Ensure you read and understand the information before embarking on any related task.

### Task Safety Process

Always evaluate the risk factors before starting any work that involves Winches.

#### **Plan Your Task**

- List the activities required to undertake the task.
- Ensure that the safety processes are understood and communicated to all persons involved with the task.

#### **Identify the Risks**

- Why, when, how and what risks can occur?

#### **Assess the Risks**

- Determine the likelihood of a hazard occurring.
- Determine the severity of the consequence.
- Determine the "Action Required" to prevent the hazard from occurring.



### Implement Controls

- Consider how risks can be mitigated by implementing controls such as:
  - Safe work practices and procedures
  - Using appropriate equipment or specific people that have experience.
  - Establishing barriers or setting up safety mechanisms such as guards.
  - Wearing the correct Personal Protection Equipment (PPE) for the task.

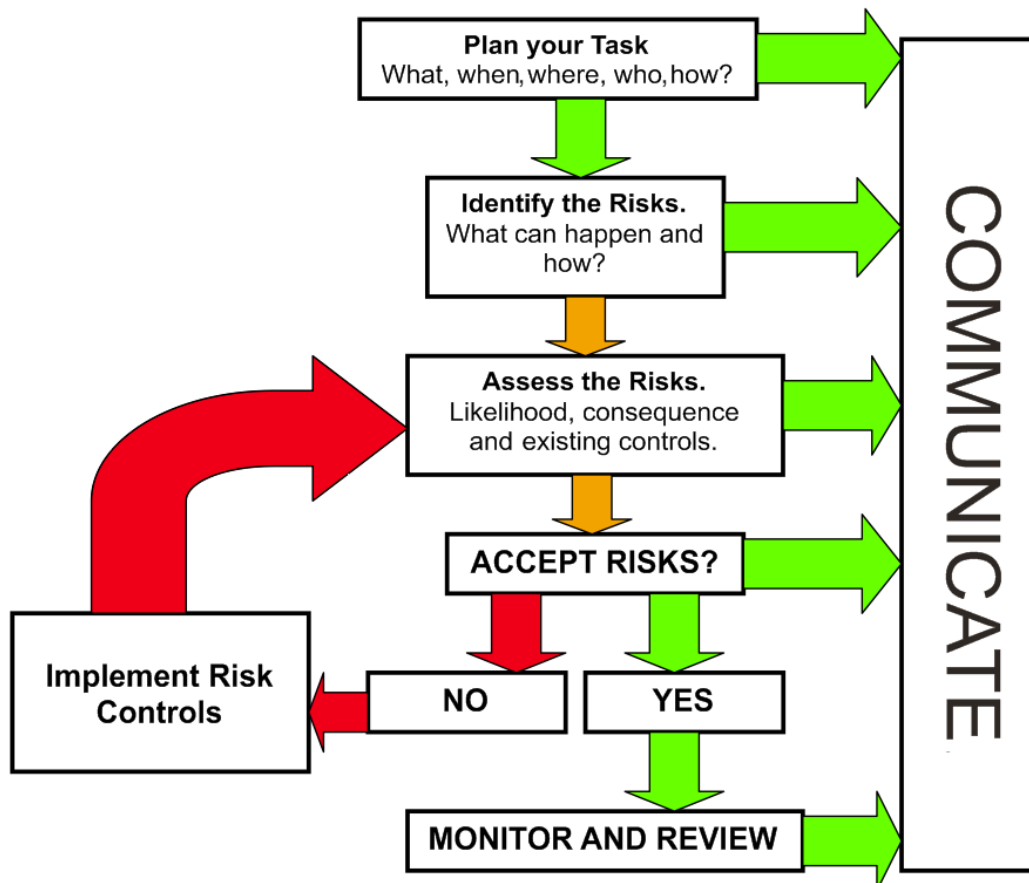
### Are the Risks acceptable?

- If **NO** – formulate controls to mitigate the risk and re-assess the task.
- If **YES** – Organise the task, maintain controls, communicate instructions clearly, monitor and review progress.

### Monitor and Review

- Work methodically, check on progress, and communicate.
- Continually monitor the situation by reaffirming:
  - Is the plan being followed?
  - Are controls adequate?
  - Is further assessment required?
  - Have conditions changed?
 If yes, then stop the task and review the plan.

Figure 1. Task planning chart



## Winch Preparation

Following delivery of the OZWINCH, some basic checks should be conducted to ensure the system can be prepared for safe operation.

### Post-Delivery Inspection

The Winch needs to be inspected for any evidence of damage that may have resulted during transport or shipment before it is declared ready for use.

**Note:** If the Owner's Manual for the Electric Winch has not been received or has been lost or destroyed, immediately contact HES Winches Australia to obtain a copy. Do not inspect, operate or perform maintenance on the Winch without having Owner's Manual.

## General Checks Before Use

### Winch:

- Visually inspect the Winch and all components for any visible damage.
- Inspect all operator controls and ensure they are functional (i.e. levers move as intended and are not bent or missing).
- Inspect all areas for evidence of fluid leaks or damage.

## Safe Operation

In order to ensure the safety of operators and others, it is important that the machine is used appropriately, that design limits are not exceeded and that all risks have been identified and the appropriate risk control measures implemented.

## Operating Safety Rules

To ensure the safe Winch operation, the following basic Safety Rules must be understood and complied with at all times.

### Before Commencing Work:

- Action the Daily Operator Checklist.

Table 1. Daily Operator Checklist

DAILY CHECKS	
Safety Guarding	Ensure that all safety guards or panels are in good condition and securely fastened.
Rope Drum	Check if the steel rope drum runs in the correct direction and the brake is working correctly
Operator Controls	Ensure that the operational controls are all functioning as expected
Structure	Ensure that the Winch frame and chassis is free from damage such as cracks or corrosion.
Bolts and Fasteners	Ensure that all fasteners (especially those for mounting the machine) are tight, that none are missing or damaged. Check all lock screws are tightened securely.
Fluids	Ensure that there are no fluid leaks and that all required lubrication has been carried out.

- Ensure all safety instructions are clearly understood and that the operators are familiar with the Winch controls.
- Review the working site for hazards and implement the risk control measures.
- Ensure there are no unused ropes, cables, or obstructions around the working area.
- Be aware of vehicle or vessel movement.  
Ensure persons are correctly positioned and know what their involvement and tasks are in relation to the job at hand.
- Ensure that ropes or cables to be used are correctly rated for the task, are not damaged or worn and where appropriate have the necessary test/examination certificates up to date.

**During operations:**

- **Always wear approved, appropriate Personal Protective Equipment (PPE).**
- **Pay attention. Keep alert, and avoid being distracted whilst operating the Winch. Don't stand under a load, or in areas where overhead equipment may swing and cause serious injury.**
- **Keep body parts and clothing away from all moving parts as well as the rope.**
- **Never exceed the maximum load specified for the Winch.**
- **Avoid sudden shock or movement of the Winch under load and use a slow consistent speed.**
- **Lift weights vertically only**
- **Remove the Pendant Control and shut down the power whenever the Winch is to be left unattended.**
- **Secure any loose items, tools or equipment so that these will not become an operational hazard.**
- **Be aware of non-operating persons in proximity to the equipment, as well as the Winch cable or rope.**
- **Always ensure clear communication between the machine operator and other persons involved with the task.**



**WARNING:**

- **Do not allow any person to be under the Winch, bracket or weight**
- **Do not place feet or hands in proximity of rotating parts.**
- **Do not smoke (or approach the Winch with a naked flame) whilst operating or refuelling.**
- **Do not guide cable with hands or feet.**
- **Do not tie or secure yourself to any part of the Winch or equipment.**
- **Do not touch fittings, friction parts or guards whilst operating.**
- **Prevent Pendant Control wire or power wire from contacting or hooking the steel rope**
- **Do not remove safety decals.**
- **Do not remove safety guarding.**

## **Overheating**

The OZWINCH is fitted with a thermal overload switch to protect electrical system in the event of overheating during excessive use. If this occurs, wait for the system to cool and press the thermal switch on the control box to resume operation

## **Maintenance Safety**

The OZWINCH is virtually maintenance free.  
In the event the Winch requires repair contact HES Winches Australia for further information.



### **WARNING**

Do Not remove the covers of this Winch. All repairs must be performed by a qualified person only.

Contact HES Winches Australia for further information.

The following sections provide guidelines on how to ensure safety whilst externally servicing the Winch equipment.

## **General Safety Rules**

Prior to conducting any work on the structure, the control box or mechanical components of the Winch:

- Ensure the machine has been powered down or isolated
- Wear the appropriate Personal Protection Equipment (PPE)
- Ensure that all loads under tension have been lowered and secured
- Ensure that the correct tools for the work are available

## CHAPTER 2 | System Overview

### General Description

The OZWINCH Winches are a planetary design, rugged in construction and engineered to comply to Australian Standards. Built with a precision planetary gear train, they feature quality roller bearings throughout, a high starting torque motor designed specifically for both Hauling and Lifting applications and a fail-safe electromagnetic disc brake to provide safe and easy load control.

All OZWINCH Winches (240V as well as 415V) incorporate a low voltage 24V Pendant Control. The Winches also have the option to be configured with a wireless remote control system in conjunction with the standard handheld Pendant Control, providing two system control options for your convenience.

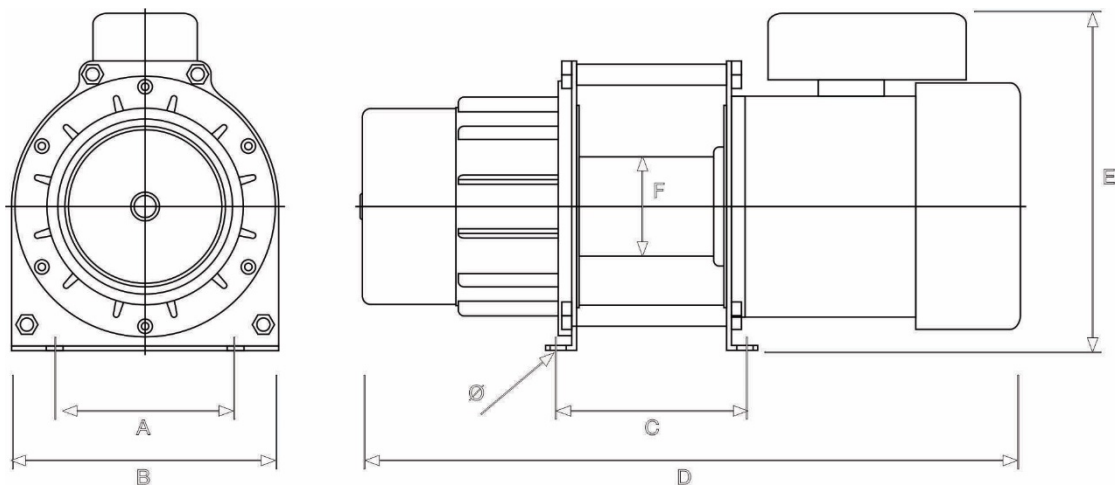
### General Specifications

Characteristics	Description	Single Phase Voltage	Three Phase Voltage
Motor	Power Source	240v	415v
	Frequency	50hz	50hz
	Cooling Method	Fan Cooling	Fan Cooling
	Starting Method	Start & Run Capacitors	Full volt direct start
Speed Reducer	Gear	Satellite gear drive. Long service life manufactured from special alloy steel, precision machined and carbonization heat treated.	
	Gearbox Material	Aluminium ally die casting (Casting Steel)	
	Lubrication Oil	The unit has been filled with high quality lubrication oil. No further filling or lubrication oil is required.	
Brake	Actuation Method	Magnetic energised brake (power failure brake)	
	Volt	DC 110v or 220v (with rectifier)	
Ambient Conditions	Temperature	0°C - 40°C	
	Humidity	Under 90% (no condensation)	
	Location	Indoor: dry environment Well Ventilated	
Prohibited Environment	<ul style="list-style-type: none"> <li>• Temperature below -10°C or higher than 40°C</li> <li>• High humidity over 90%, or any location with high acid/alkaline or high salt contained locations.</li> <li>• Any location containing organic solvents, flammable or explosive products</li> <li>• Dusty environment</li> <li>• Direct exposure to Rain or Snow</li> </ul>		

For specific individual model specifications please refer to Table 2. Winch Model Specifications on page 14.

**Table 2. Winch Model Specifications**

Model	Lifting Capacity	Speed(M/min)		Steel Rope	Voltage	Motor (KW)	Body Dimensions(mm)						
		50HZ	60HZ				A	B	C	D	E	F	Ø
JV-1020-13D03	200KG	11	13	6mm*30M	1-PH	0.5	142	210	142	474	265	76	10
JV-1025-13D03	250KG	11	13	6mm*30M		0.55	142	210	142	474	265	76	10
JV-1030-13D03	300KG	11	13	6mm*30M		0.75	142	210	142	474	265	76	10
JV-1030-13D05	300KG	11	13	6mm*50M		1.1	160	220	186	556	280	76	13
Model	Lifting Capacity	Speed(M/min)		Steel Rope	Voltage	Motor (KW)	Body Dimensions(mm)						
		50HZ	60HZ				A	B	C	D	E	F	Ø
JC-1025-21D12	250KG	17	21	6mm*120M	1-PH	1.6	160	250	250	681	290	105	17
JC-1050-16F03	500KG	13	16	8mm*30M	240V	1.6	160	220	186	626	290	78	13
JC-1050-21F05	500KG	17	21	8mm*50M		1.8	160	250	206	653	290	105	17
Model	Lifting Capacity	Speed(M/min)		Steel Rope	Voltage	Motor (KW)	Body Dimensions(mm)						
		50HZ	60HZ				A	B	C	D	E	F	Ø
PU-1070-09G7	700 KG	7.5	9	9mm*70M	1-PH	1.3	202	292	265	783	345	101	17
PU-1120-10I05	1200KG	8.0	10	12mm*50M	240V	2.0	260	390	243	785	415	168	22
PU-1200-07J07	2000KG	6.0	7	14mm*70M		2.5	260	390	373	915	415	168	22
PU-3200-07J07	2000KG	6.0	7	14mm*70M	3-PH	3.0	260	390	373	915	415	168	22
					415V								



## Standard Features

- AC motor for maximum torque, designed specifically for Lifting and Winching applications
- 240V single phase models are pre-wired with 3-pin plug\*
- Wire rope with safety hook
- Low voltage hand Pendant Control with 10m lead (removable) on all models
- Thermal overload protection

\*Excludes PU-1120 and PU-1200 models

## Example Applications

- Hauling on domestic boat ramps
- Lifting in small workshops
- Positioning caravans & trailers in confined areas
- Lifting sullage pumps
- Ideal for building sites
- Industrial bin retrieval
- General onsite Lifting and Winching



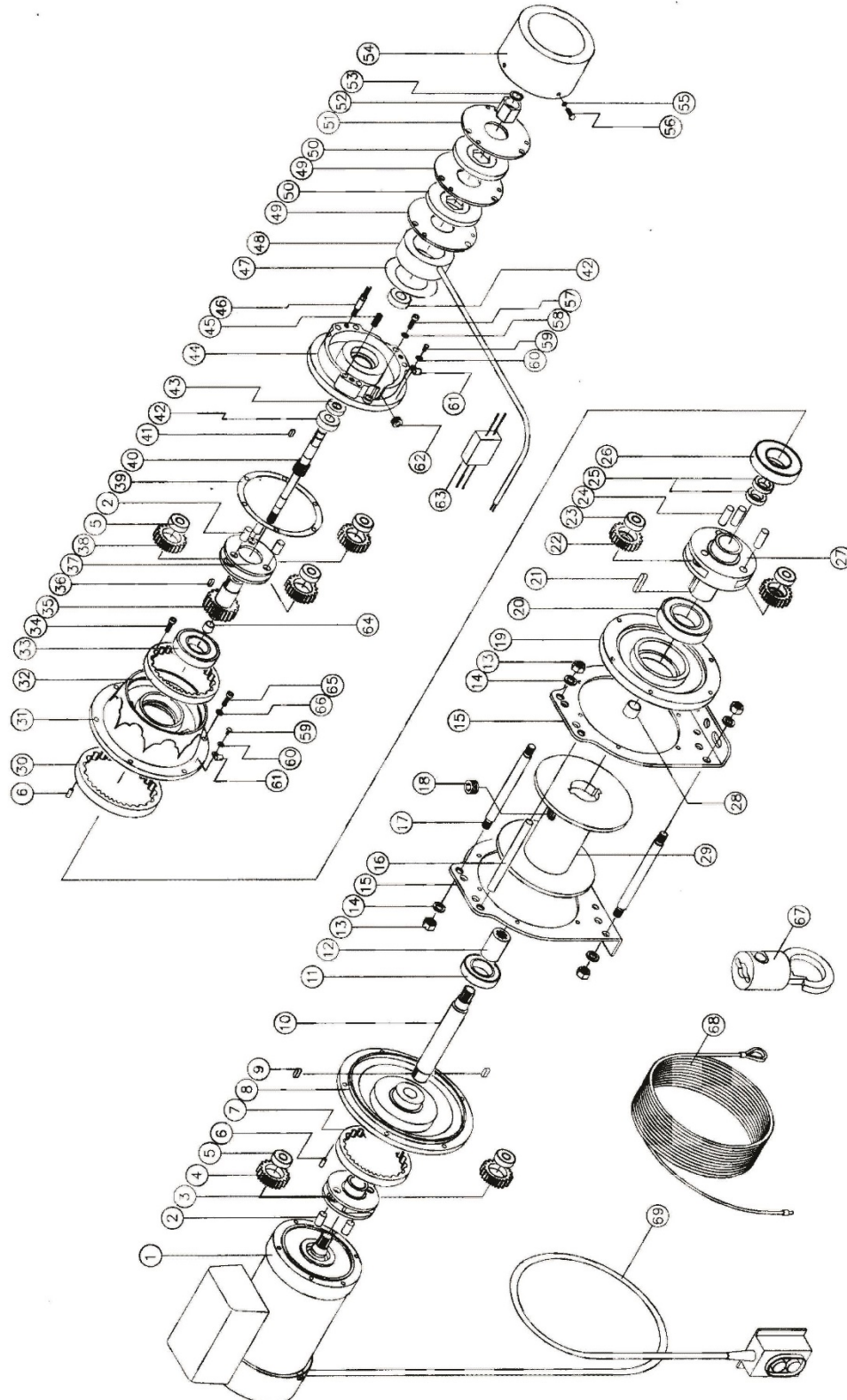
### **CAUTION**

Never exceed the rated allowable lifting weight capacity as indicated on the plate of the OZWINCH.

## General Assembly

Figure 2. General assembly parts identification diagram.

Reference: HES1204-001





**Table 3. General Assembly Parts Listing**

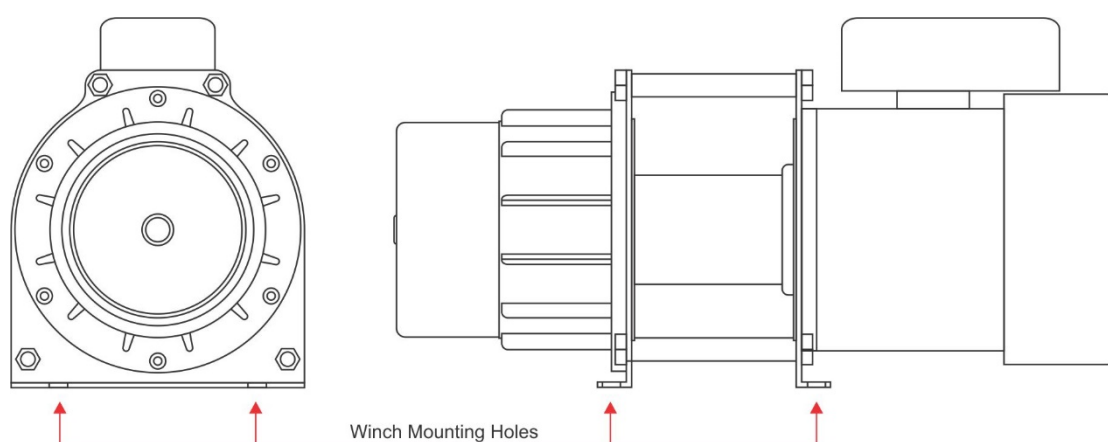
No.	Qty.	Description	No.	Qty.	Description
1	1	MOTOR	36	1	KEY
2	5	SHAFT	37	1	METAL
3	1	METAL	38	3	GEAR PINION
4	2	GEAR PINION	39	1	ANTI-LEAK PACKING
5	2	BEARING	40	1	2 <sup>ND</sup> SHAFT ASSEMBLY
6	2	HOLLOW PIN	41	1	KEY
7	1	ANNULAR GEAR	42	1	BEARING
8	1	FRONT SHIELD	43	1	OIL SEAL
9	2	KEY	44	1	CONDUCTOR
10	1	1 <sup>ST</sup> SHAFT ASSEMBLY	45	6	SPRING
11	1	BEARING	46	3	BRAKE SCREW
12	1	SLEEVE	47	1	INSULATION PAPER
13	8	HEX NUTS	48	1	BRAKE COIL
14	8	SPRING WASHER	49	2	METAL DISC
15	2	SUPPORT RACK	50	2	BRAKE LINING
16	1	PIPE WIRE	51	1	METAL DISC
17	4	SLEEVE ASSEMBLY	52	1	SPROCKET ASSEMBLY
18	1	PT SCREW	53	1	C-RING
19	1	GEAR BOX COVER	54	1	BRAKE COVER
20	1	BEARING	55	3	SPRING WASHER
21	1	KEY	56	3	SCREW
22	3	BULL GEAR	57	3	CAP SCREW
23	3	BEARING	58	3	SPRING WASHER
24	3	SHAFT	59	2	ROUND HAND SCREW
25	2	BEARING	60	2	WASHER
26	1	BEARING	61	2	RUBBER CLAMP
27	1	OUTPUT SHAFT	62	1	CLIP WIRE
28	1	BRONZE BUSH	63	1	RECTIFIER
29	1	DRUM	64	1	BRONZE BUSH
30	1	ANNULAR GEAR	65	6	CAP SCREW
31	1	GEAR BOX	66	6	SPRING WASHER
32	1	ANNULAR GEAR	67	1	HOOK
33	1	BEARING	68	1	STEEL ROPE
34	3	CAP SCREW	69	1	CONTROL WIRE
35	1	3 <sup>RD</sup> SHAFT ASSEMBLY			

## CHAPTER 3 | Installation

### Mounting the OZWINCH

The Winch must be securely mounted onto a flat and solid surface, using the four (4) mounting holes on the base of the frame. Refer to Table 2. Winch Model Specifications, column (Ø) on page 14 for the dimensions of the mounting holes.

The Winch can be mounted to a variety of substrates and the mounting hardware should be matched accordingly.



- Install the Winch so it remains level with the Winch drum, ensuring that the steel rope is arranged neatly to avoid friction against the Winch body due to regular winding.
- Ensure that the power source complies with the voltage indicated on the Winch prior to connecting any Electricity. Ensure that all terminals are securely tightened
- Ensure the Winch has been properly grounded and is equipped with an Electric shock breaker.



**WARNING:**

Prevent the Pendant Controller wire or power wire from contacting or hooking the steel rope to avoid Electric shock and / or other dangers.

## CHAPTER 4 | Operation

To ensure the safe operation of your HES Winch refer to Task Safety Process on page 8 for further details and how to assess risk. All safety rules, decals and instructions must be understood and complied with at all times.

### Operator Controls



The Pendant Control is low voltage with a 10 metre lead which plugs into the connector on the Winch control box. The Pendant Control also has a quick disconnect system for when your Winch is not in use, to prevent anyone from tampering with it.

The controls on the pendant are:

- Emergency Stop
- UP
- DOWN

### Emergency Stop



The "EMERGENCY STOP" switch will isolate and stop operation of the Winch and is located on the Pendant Control.

The E-Stop is a good safety feature for once the load is in position to prevent inadvertent operation.

Use the Emergency Stop button in case of any danger which poses an immediate risk to personnel or machinery. To activate the stop, press the "EMERGENCY STOP" button all the way in until the button clicks into the down position.

To re-set the emergency stop for Winch control can continue, release the "EMERGENCY STOP" button from the down position, twist the button clockwise.

## Using the Winch

- 1) Plug in the Winch and pendant.
- 2) Operation is push button up / down.
  - i) Hold the button in to operate the Winch.
  - ii) Release the button to stop the Winch, the automatic failsafe brake will engage.
- 3) Use the emergency stop on the Pendant Control as a safety measure once the load is in position to prevent inadvertent operation.



### **CAUTION**

Never exceed the rated allowable lifting weight capacity as indicated on the plate of the Winch.

## Routine Running Checks

During extended periods of hauling operations, the following checks should be carried out at approximately 2 hourly intervals:

- 1) Check the system and power unit for overheating.
- 2) Listen for any unusual sounds.

## Maintenance

The OZWINCH is virtually maintenance free.

To keep in good working order, add bearing grease once every 3 months and lubricate rope with suitable rope grease or lubricant every 3 months.

## Troubleshooting

Problem	Possible Cause	Correction
<b>Poor Start</b>	Voltage to low	Check Supply
	Overloaded	Reduce load
	Starting capacitor damaged	Replace
<b>Capacitor Damage</b>	Voltage to low	Check Supply
	Overloaded	Reduce load
	Eccentric switch connection point damaged	Replace
	Brake system failure	Check Supply
<b>Coil burnt out</b>	Voltage to low	Check is power wires are not too long or diameter is to small
	Overloaded	Reduce load
	Capacitor burnt out	Replace capacitor
	Brake system failure	Replace damages brake coil or rectifier.
	Coil moisture or short circuit	Send to manufacture for repair
	Three phase motor connected to single phase power.	Check voltage and wiring
<b>Brake Failure</b>	Incorrect Wiring	Check Wiring
	Brake coil broken or burnt out	Replace
	Rectifier damages	Replace
<b>Poor brake performance (Braking time to long)</b>	Oil or dust on brake lining	Remove dirt
	Too much gap between brake linings	Adjust gap properly
	Brake lining worn out	Replace
<b>Abnormal Noise</b>	Continuous big noise: <ul style="list-style-type: none"> <li>bearing damaged</li> <li>gear worn out</li> </ul>	Send to manufacture for repair
	Occasional big noise: <ul style="list-style-type: none"> <li>bearing damaged</li> <li>dirty</li> </ul>	

## Appendix 1 | Warranty Terms and Conditions

### 1. Definition

- 1.1 These terms and conditions between HES Winches Australia (referred to herein as "we" or "us") and the customer (referred to herein as "the customer") shall apply to all orders for "goods" which shall mean materials or parts or machinery and "services" which shall mean labour time in the repair or servicing or installation of goods.
- 1.2 Any contract of sale, order, or quotation made or accepted by or on behalf of us will be subject to these terms and conditions of sale.
- 1.3 Any terms or conditions put forward by the customer, whether in a purchase order, specification or otherwise, will not be binding on us in so far as they purport to amend, annul or augment any of these terms and conditions unless specifically agreed to in writing by us.

### 2. Prices

- 2.1 Prices are for goods ex-store and are subject to alteration without notice. All orders are accepted on the understanding that prices are those ruling at date of despatch unless otherwise agreed in writing by us.
- 2.2 Prices quoted do not include any amount which is payable by us on account of GST as a consequence of any supply made or deemed to be made under or in connection with this agreement ("GST Amount"). The GST Amount must be calculated by multiplying our quoted prices by the prevailing rate of GST and the customer must pay us the GST Amount applicable at the same time and in the same manner as making payment of any consideration on which the GST Amount is calculated.

### 3. Title

- 3.1 We, whilst parting with possession of the goods, shall retain title to (but not risk in) the goods, and title shall only pass to the customer when full payment in cleared funds is received by us. Until this happens:
  - (a) the relationship between us and the customer is a fiduciary one;
  - (b) the customer holds the goods as bailee for us and we hereby authorise the customer to sell the goods in the normal course of business; and
  - (c) the customer shall not assign its right, title or interest in any book debts arising in its favour in respect of its sale of goods.
- 3.2 The customer must pay the proceeds of sale into a separate account pending payment to us. Until payment is received by us in full the customer must store the goods separately pending sale and must keep separate records of sales of goods owned by us.
- 3.3 If payment is overdue we may recover our goods and enter the customer's premises without notice for that purpose. The right to enter is without prejudice to any of our other rights deriving from these terms and conditions. Payment will become due immediately upon the commencement of any act or proceeding in which the customer's solvency is involved.
- 3.4 In the event that the customer uses the goods in some manufacturing or construction process of its own or of a third party, the customer shall hold such part of the proceeds of the manufacturing or construction process as relates to the goods in trust for us. Such part of the proceeds is deemed to equal in

dollar terms the amount owing by the customer to us at the time of the receipt of the proceeds.

- 3.5 The risk in the goods will pass to the customer upon the goods being loaded onto transport, except where delivered by our own transport when risk will pass on delivery of the goods to the place designated by the customer.
- 3.6 Insurance and the cost of carriage of the goods ex-store to the place of delivery designated by the customer will be to the customer's account.
- 3.7 When goods are stored by us at the request of or fault of the customer after the goods are ready for despatch, the customer will pay all applicable storage and other charges. Storage will not entitle the customer to postpone payment of any sums due to us.

#### **4. Payment**

- 4.1 Goods must be paid for at the time of order unless credit is granted at our discretion.
- 4.2 Where credit is granted payment in full must be made within 30 days of invoice date. No discount will be given for early payment.
- 4.3 Where progress payments are agreed term 4.2 will apply to the final payment instalment.
- 4.4 Goods are despatched on or before the date of invoice and we accept no responsibility for delays in transit.
- 4.5 If any payment is overdue we will be entitled to suspend or cancel work (including despatch) on other orders from the customer without prejudice to any other right or remedy available to us, including the right to receive payment for work already carried out and the right to recover the sum unpaid on any previous order.
- 4.6 The customer will have no right of set-off in respect of any claim against us.

#### **5. Non-Delivery and Shortage**

- 5.1 We will make every reasonable effort to meet quoted despatch dates but we will not be liable to the customer for any loss or damage whatsoever (including consequential loss) caused by a delay in or prevention of despatch of goods. The term "consequential loss" includes, but is not limited to, loss of profit, loss of production, loss or use of revenue, cost of capital, loss of or damage to property or equipment, and loss of reputation.
- 5.2 The customer will be deemed to have accepted delivery of goods referred to in any invoice or advice note unless the customer makes a claim to us within 21 days from the date of the invoice or advice note, except when part of the goods referred to therein are received by the customer, in which case any claim with respect to the goods not received in accordance with the invoice or advice note must be made within three days of the short delivery.
- 5.3 We will not accept liability for any damage to goods while in transit at our risk or other discrepancies between invoice particulars and goods received unless such damage or discrepancy is reported to us within three days of receipt of the goods.

#### **6. Warranty**

- 6.1 We warrant goods of our own manufacture against defective workmanship and materials which have substantially diminished or are likely to substantially diminish the life or functionality of the goods for a period of twelve months from the date of despatch. During that time, we will at our option either replace or repair any such goods or parts of goods which are proven

- defective in these respects up to the value of a new replacement good (or goods).
- 6.2 We accept no liability for damage to or defects in our goods that arise from the improper installation, improper use, improper handling, and lack of maintenance or any unauthorised modifications made by the customer.
  - 6.3 We will make every effort to ensure that our goods comply with their descriptions in our current publications, but subject to these terms no warranty is made as to their exact description, merchantable quality or fitness for purpose.
  - 6.4 Any parts not of our manufacture incorporated in our goods or sold by us carry their manufacturer's warranty only, if any.
  - 6.5 Apart from the express warranty in Term 6.1 and to the full extent permitted by law, we will be under no liability to the customer (whether in contract, tort or otherwise), for any injury, loss or damages (including but not limited to incidental, special, consequential or general damages) in connection with or arising out of the supply or use of goods howsoever arising, whether or not caused by the negligence of us, our employees or agents. The term "consequential damages" includes, but is not limited to, loss of profit, loss of production, loss or use of revenue, cost of capital, loss of or damage to property or equipment, and loss of reputation.
  - 6.6 In no event, regardless of the form of the claim or cause of action (whether based in contract, infringement, negligence, strict liability, or otherwise), shall our liability to the customer and/or its customers exceed the price paid by the customer for the specific goods giving rise to the claim or case of action, and the customer indemnifies us for any damages exceeding the price paid by the customer for those goods.
  - 6.7 Goods returned to us subject to a claim under warranty will be accepted on the condition that, should the claim be rejected, all costs incurred including transport to and from our premises and inspection will be to the customer's account.

## **7. Cancellation**

- 7.1 We cannot accept cancellation of orders for goods made, or to be made, especially to a customer's requirements or for goods which we order specially to fill a specific order. Amendments to orders for goods made specially to a customer's requirements may only be made with our express written agreement.

## **8. Return of Goods**

- 8.1 Any goods which have been supplied in accordance with a customer's order but which are subsequently returned will only be credited provided that our prior written agreement to the return of the goods has been obtained. When we agree to returns we will charge a restocking fee of 15% of our invoiced price for the goods except that none specially manufactured, specially ordered, or products modified to a customer's requirements will be accepted for credit.

## **9. Confidentiality**

- 9.1 All drawings, designs, specifications and other information which we supply in connection with a quotation or order are confidential. They remain our property and must not be disclosed to any third person without our written permission and the customer accepts that any such disclosure is likely to cause



damage to our business which we will be entitled to recover from the customer.

#### **10. Tests**

- 10.1 If the customer requires any goods to be specially tested before despatch, arrangements may be made with us for us to carry out the testing at the customer's expense. Our applicable test and manufacturing standards will apply to the testing unless otherwise agreed.

#### **11. On-Site Installation**

- 11.1 The customer will indemnify us against all loss and damage suffered by us, and against all claims and demands made against us, in respect of any injury or damage to persons or property caused by dangerous premises or equipment of the customer.
- 11.2 Installation by us shall not postpone the passing of risk in the goods.

#### **12. Industrial Property Right**

- 12.1 If goods supplied by us to the customer's design or specifications infringe or are alleged to infringe any patent or registered design rights or copyright the customer will indemnify us against all damages and costs incurred by us as a result of the infringement or allegation. The customer will provide to us every assistance in meeting an infringement claim brought against us.

#### **13. General**

- 13.1 Our failure to enforce or exercise, at any time or for any period of time, any term of any contract incorporating these terms and conditions will not constitute, and will not be construed as, a waiver of such term and will in no way affect our right later to enforce or exercise it.
- 13.2 The invalidity or unenforceability of any of these terms and conditions will not affect the enforceability of the remainder of these terms and conditions.
- 13.3 These terms and conditions will in all respects be construed and have effect according to Australian law and the parties agreed to submit to the jurisdiction of the appropriate Australian Courts.

## Appendix 2 | CE Certificate



**SGS Taiwan Ltd.**  
**EC Laboratory**  
134, Wu Kung Road,  
WuKu ind. Zone, Taipei,  
Taiwan, R.O.C.  
Tel: +886-2-2299-3279  
Fax: +886-2-2299-9489

Certificate No: EZ/2007/10005C

### VERIFICATION OF MD & LVD COMPLIANCE

SGS-TW Reference No. : EZ/2007/10005C

Model No. : JV Series, JC Series, RC Series, PU Series, CH Series

Product Name : Electric Hoist

Applicant : TAIWAN WINCH INDUSTRIAL CO., LTD.

Address of Applicant : No 17-2, Fang Liao Road, Houli Hsiang, Taichung Hsien, Taiwan, R.O.C.

SGS approved laboratory: SGS Taiwan

TCF Number(s) : TW-2006-A1

Date of Issue : January 12, 2007

Applicable Standards : EN ISO 12100-1, EN ISO 12100-2, EN 294, EN 1050, EN 60204-1

**Conclusion**  
Based upon a review of the worksheets and the Technical Construction File, the apparatus is deemed to meet the requirements of the above standards and hence fulfils the requirements of:

*Machinery Directive 98/37/EC*  
*Low Voltage Directive 73/23/EEC*

Note: This certificate is only valid for the equipment and configuration described, and in conjunction with the test data detailed above.

Authorized Signatory:



SGS TAIWAN LTD.  
Jason Lin

Copyright of this certificate is owned by SGS Taiwan EC Laboratory and may not be reproduced other than in full and with the prior approval of the Manager of SGS Taiwan EC Laboratory.

This document is issued, on the Client's behalf, by the Company under its General Conditions of Service printed overleaf. The Client's attention is drawn to the limitation of liability, indemnification and jurisdiction issues defined therein.

Any other holder of this document is advised that information contained hereon reflects the Company's findings at the time of its intervention only and within the limits of Client's instructions, if any. The Company's sole responsibility is to its Client and this document does not exonerate parties to a transaction from exercising all their rights and obligations under the transaction documents.

SGSPAPER 04254749





SGS Taiwan Ltd.  
EC Laboratory  
134, Wu Kung Road,  
WuKu Ind. Zone, Taipei,  
Taiwan, R.O.C.  
Tel: +886-2-2299-3279  
Fax: +886-2-2299-9489

Certificate No: EZ/2007/10005C

## ANNEX TO CERTIFICATE

### SPECIFICATION OF THE CERTIFIED PRODUCT

Equipment : Electric Hoist

Model : JV Series, JC Series, RC Series, PU Series, CH Series with extent digits - VW-XYZ

Where as:

- V: 1 or 3
- W: 020~500
- X: 03~100
- Y: A~Z
- Z: 03~20

Authorized Signatory:



SGS TAIWAN LTD.  
Jason Lin



Copyright of this certificate is owned by SGS Taiwan EC Laboratory and may not be reproduced other than in full and with the prior approval of the Manager of SGS Taiwan EC Laboratory.

This Test Report is issued by the Company subject to its General Conditions of Service printed overleaf or available on request and accessible at [www.sgs.com](http://www.sgs.com). Attention is drawn to the limitations of liability, indemnification and jurisdictional issues defined therein. Unless otherwise stated the results shown in this test report refer only to the sample(s) tested. This test report cannot be reproduced, except in full, without prior written permission of the Company. Any unauthorized alteration, forgery or falsification of the content or appearance of this report is unlawful and offenders may be prosecuted to the fullest extent of the law. 此報告是臺灣本公司訂定之通用服務條款所規程發給，請注意此報告列印於背面，亦可至 [www.sgs.com](http://www.sgs.com) 中查詢。將本公司之簽章、印章、蓋章檢驗印讀度載之，除非另有說明，此報告結果僅對檢驗之樣品負責。本報告未經本公司書面許可，不可部份複製。對本報告內容或外觀之任何未經授權之變更、偽造、篡改均屬非法，違犯者將會依法追訴。

TW4246527

SGS Taiwan Ltd. | No. 134, Wu Kung Road, Wuku Industrial Zone, Taipei County, Taiwan. / 台北縣五股工業區五工路134號  
台灣檢驗科技股份有限公司 | + (886-2) 2299-3279 | F (886-2) 2299-2608 | [www.tw.sgs.com](http://www.tw.sgs.com)

Member of SGS Group