



Arktos29 // Assembly Guide

# STEP 1

Install (2153/ red seal) bearings + reducers (F) into upper and lower pivots. Use a coat of Green Loctite on upper bearings.

Be careful not to get reducers stuck behind bearings while installing.

Install bearings w/o reducers into swingarm (3903/ blue seal) + big link (2153/ red seal).

(See detailed/exploded views on pg. 5)

(Note: Use a liberal amount of preferred grease on any surface without Loctite for all assembly)



# STEP 2

Install shock on big link. Fit is very tight. Once started, use the 5/32" punch to line up the shock and link holes.



# STEP 3

Gently place shock into the upper mount & install the link using the mid thru-bolt (E).

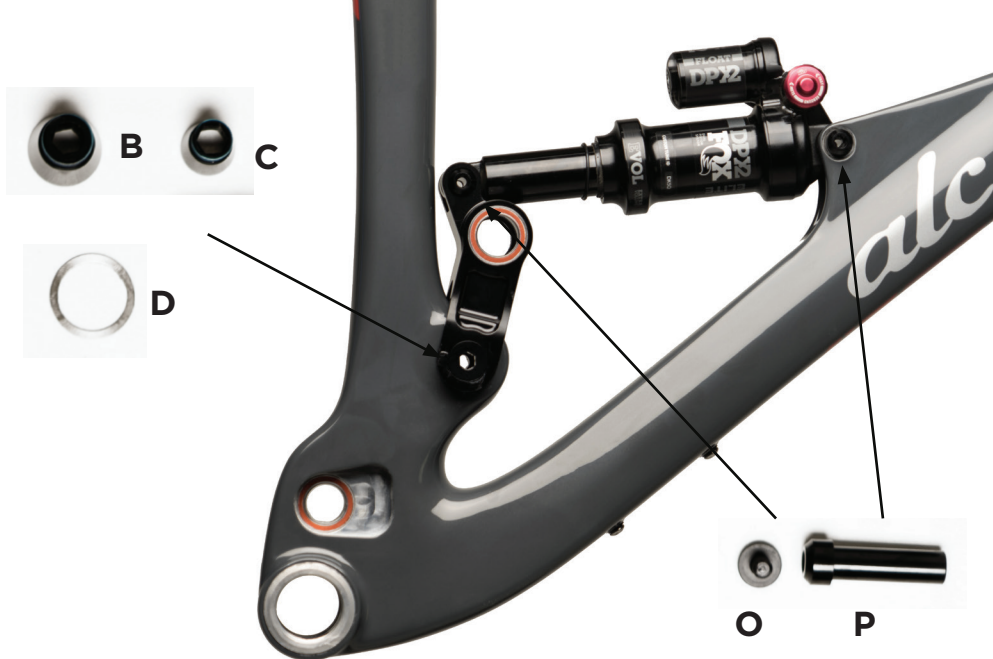
(Only install part way as the DS spacer still needs to be installed)



## STEP 4

Fully install the mid thru-bolt (E), making sure to place the spacer (D) between the frame and link on the DS (seating thru-bolt will require some force). Then install the DS collet bolt (C), followed by the NDS collet bolt (B). Torque both to 22nm.

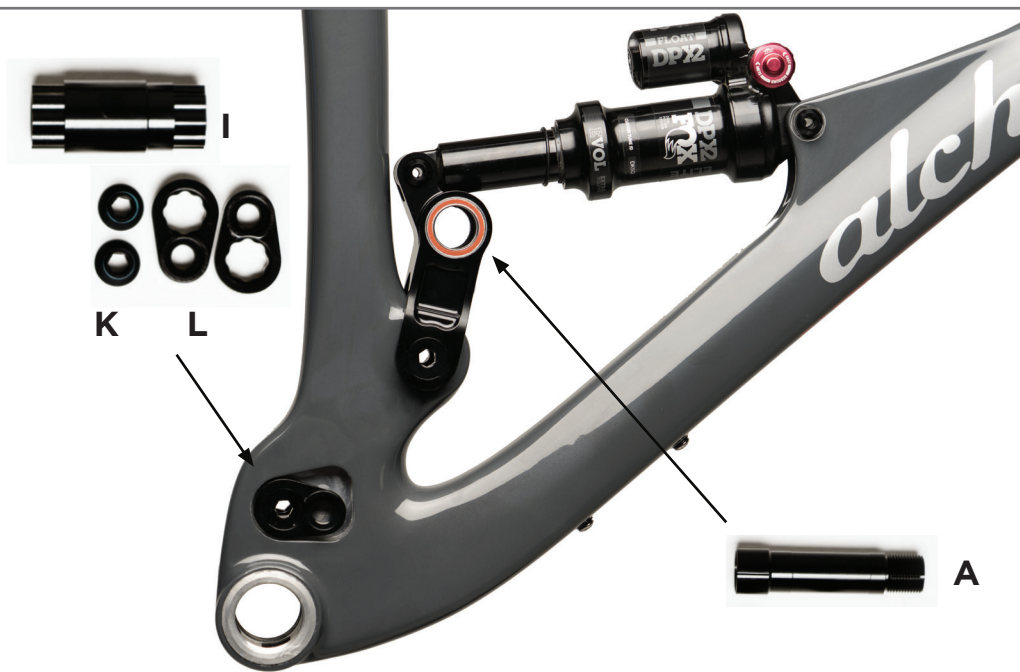
Install both shock mounting bolts (O & P) using 4mm & 6mm allen wrenches; torque to 7nm.



## STEP 5

Install the "Baby" Link Axle (I) and "Baby" Links (L) with the "Baby" Link Bolts (K). Torque to 25nm.

Install the upper pivot thru-bolt (A) with an 8mm allen wrench, attaching the swingarm to the big link. Only thread in a few threads, fully tightening will make the next step more difficult.



## STEP 6

Install the main pivot bolts (J) using a 10mm allen wrench. Torque to 25nm.



## STEP 7

Fully install the upper thru-bolt (A) until snug, then install the collet bolts (B and C). Torque to 22nm.



## STEP 8

Install the caps (N) to the lower pivot with the cap bolts (M) using a 4mm allen wrench. Torque to 7nm.



## STEP 9

You're all set to go.  
Build 'er up and get shreddy!



# INDEX



**A- Upper Thru Bolt**

**B- NDS Upper Collet Bolt**

**C- DS Upper Collet Bolt**

**D- Mid Link/Frame Spacer**

**E- Mid Thru Bolt**

**F- Bearing Reducer(s)**

**G- DS Mid Bolt**

**H- NDS Mid Collet Bolt**

**I- Low/'Baby' Link Axle**

**J- Main Pivot Bolts**

**K- "Baby" Link Bolts**

**L- "Baby" Links**

**M- Cap Bolts**

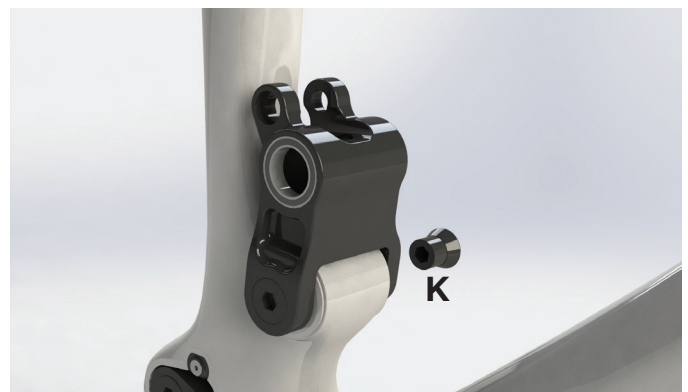
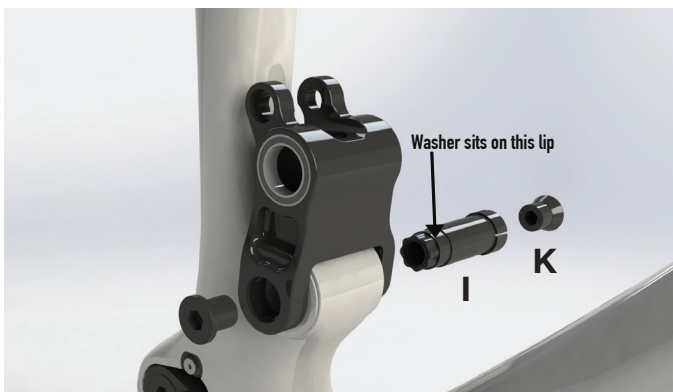
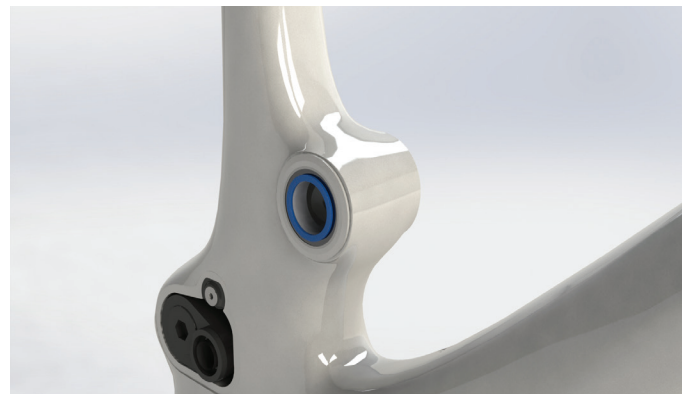
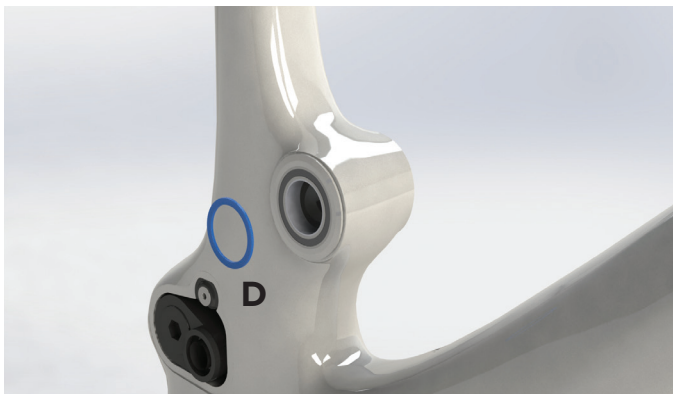
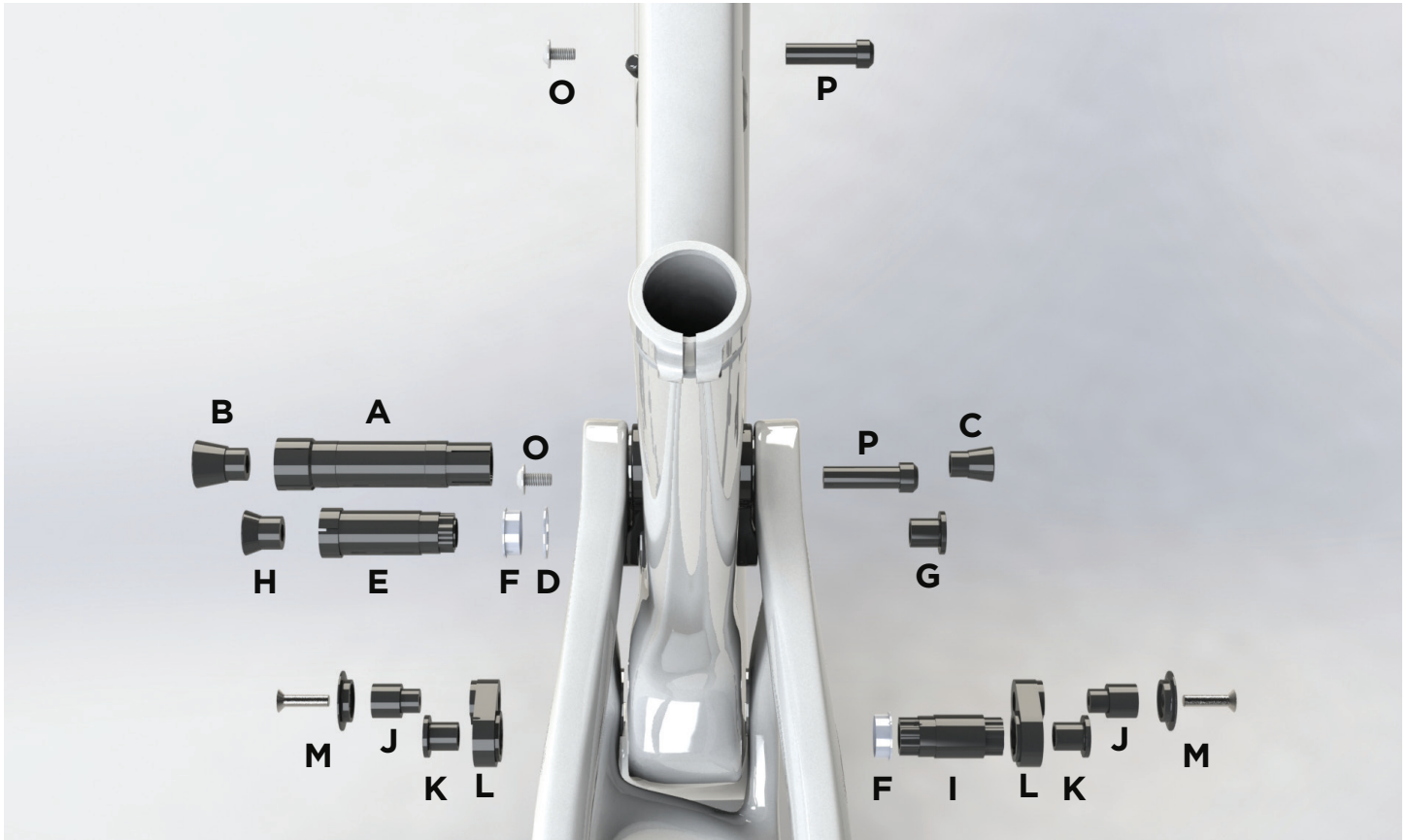
**N- Caps**

**O- Small Shock Bolts**

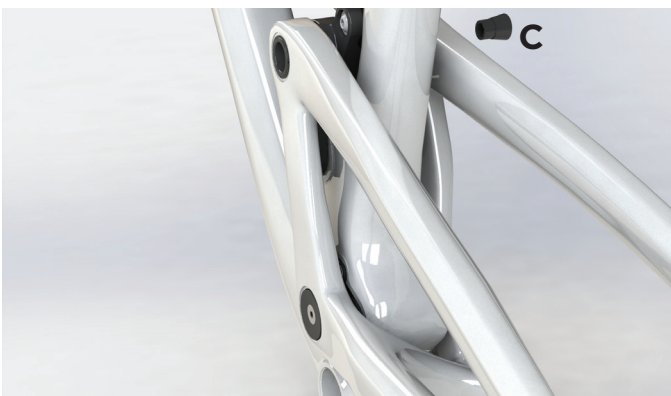
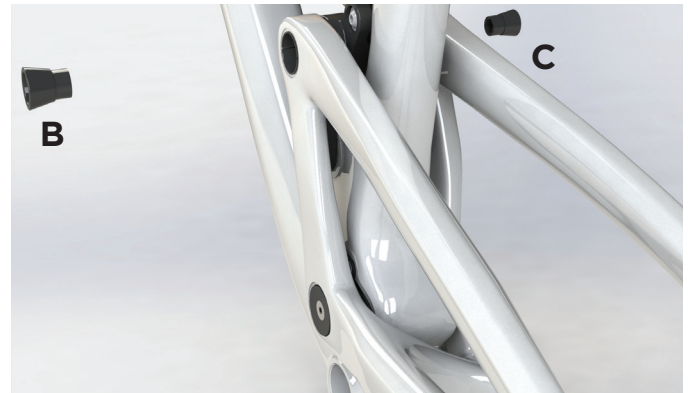
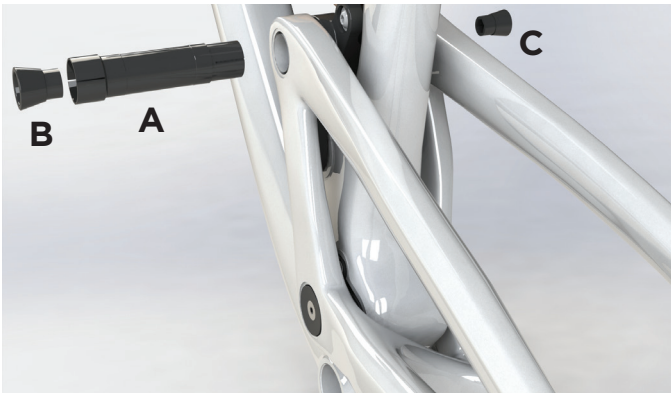
**P- Large Shock Bolts**

**Q- Big Link**

# EXPLODED VIEWS



# EXPLODED VIEWS

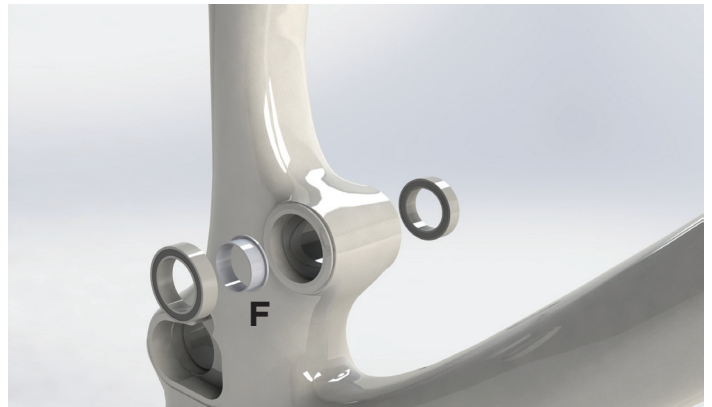


# BEARING INSTALL

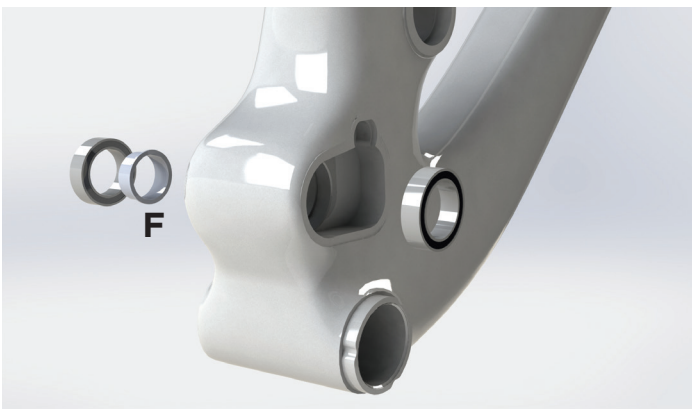
## Big Link



## Upper Pivot



## Lower Pivot



## Swingarm







Like no other.

7700 Cherry Creek South Dr., Suite 101, Denver, CO 80231  
720-535-4444 • **alchemy.bike**