

# Installation Instructions for Industrial Floating Shelf Brackets

## Getting Ready

Congratulations on your new Iron Moa product. To get started you'll need the following items:

- Pencil
- Measuring Tape
- Level
- Drill and 12.5mm drill bit.
- Stud finder (if applicable)
- Hammer (for plugs)

Start by laying out all parts to ensure you have everything read to go. You should have the following:

- Shelf brackets
- Screws and plugs
- Shelf (if applicable)

## ATTACHING BRACKETS TO SHELF

### Step 1

1. Use a pencil to draw a line with the level.
2. Using your stud finder, locate timber studs (if applicable) and mark with an X.

### Step 2

1. Using your timber, measure timber bracket points on back edge of timber (this is the stud distance measurement).
2. Mark an X where the stem of the bracket will go.

### Step 3

1. Drill a hole in the timber where the X is. Be sure to drill a strait angle to ensure shelf sits level.

*Optional:*

2. You can now slide the bracket into the hole and stencil the bracket plate using a pencil
3. Then rout/chisel to countersink the plate into the timber (3mm).

## ATTACHING SHELF TO WALL

### Step 4

1. With brackets extended from timber shelf, get a friend to hold the shelf up to the wall.
2. Mark the screw holes close to the stud mark, and on the level line.

### Step 5

1. Remove brackets from shelf and attach to the new marks on wall.

### Step 6

1. Slide shelf onto brackets gently. Use a wood block and hammer to knock the shelf into place. This will prevent hammer marks directly onto the front of the shelf.

*Optional:*

2. You can add pva glue to bracket stems to grip the shelf in place.

## Common Questions

### *How much weight can bracket's hold?*

Shelf bracket weight capacity is subject to screw strength, fixture material, bracket length and timber overhang. As such we cannot offer an accurate rating.

### *How do brackets fix to the shelf?*

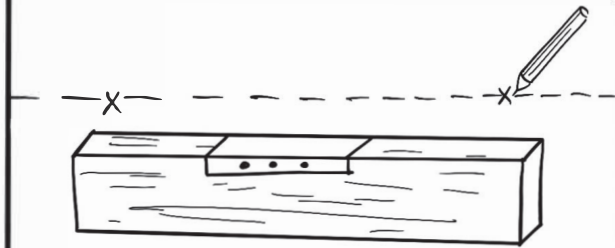
Friction. They should form a snug fit when you push your shelf onto the wall. If this is not the case use PVA glue or expanding wood glue of bracket stems to grip the bracket.

## IMPORTANT

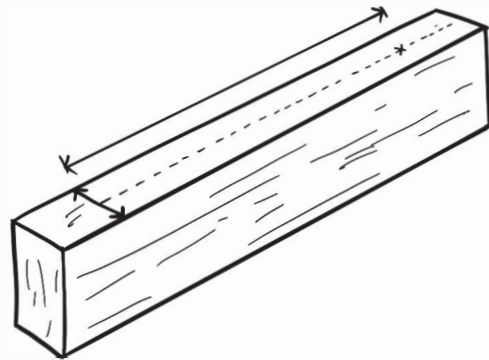
DO NOT leave your timber in a damp or sunlit environment before installation.

Timber moves with humidity changes, heat exposure and various external conditions. To avoid warping install your timber within one week of delivery. Iron Moa will not be responsible for moving timber.

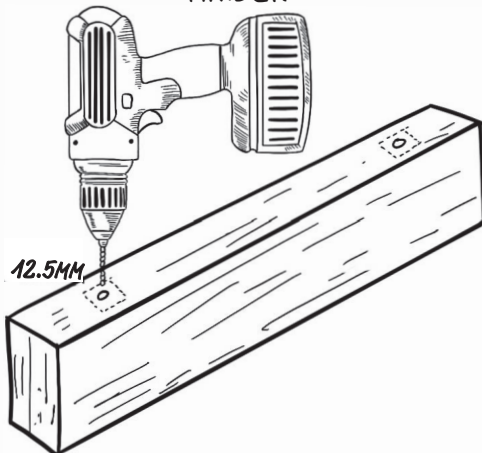
USE A PENCIL TO DRAW A LINE USING A LEVEL. MARK STUDS WITH AN X.



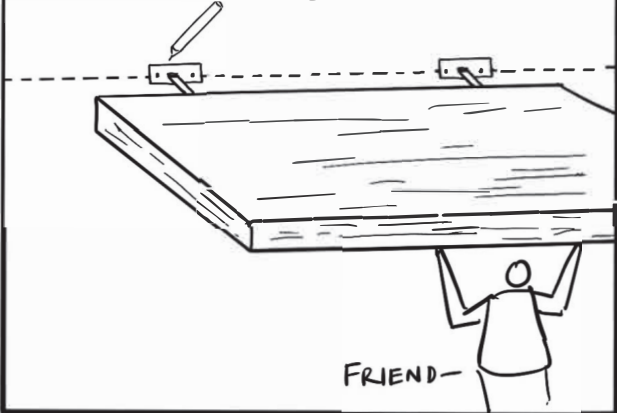
MEASURE TIMBER BRACKET POINTS ON BACK EDGE OF TIMBER\*



DRILL HOLE THEN STENCIL AND ROUT/CHISEL TO COUNTERSINK PLATE INTO TIMBER\*



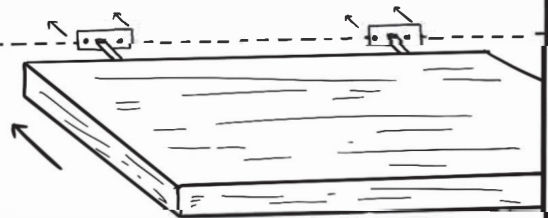
WITH BRACKETS EXTENDED FROM TIMBER SHELF, GET A FRIEND TO HOLD THE SHELF UP TO THE WALL. MARK SCREW HOLE CLOSE TO STUD MARK AND ON LEVEL LINE.\*\*



REMOVE BRACKETS FROM SHELF & ATTACH NEW MARKS ON WALL.



SLIDE SHELF ONTO BRACKETS GENTLY. USE A WOOD BLOCK+HAMMER TO KNOCK SHELF INTO PLACE.



\*ONLY NECESSARY IF YOU'RE INSTALLING BRACKETS YOURSELF.

\*\*BUY FRIEND GIFT.