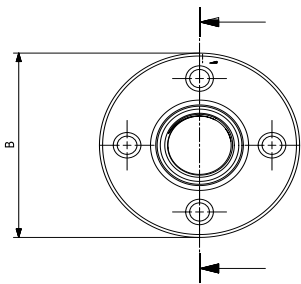
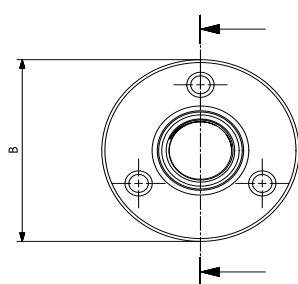


4 HOLE FLANGE



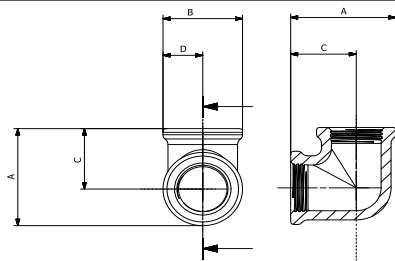
mm	A	B	C	D
15	14	78		
20	14	84		
32	17	101		

3 HOLE FLANGE



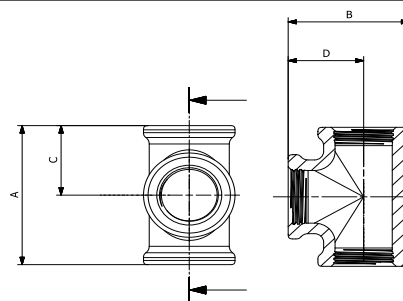
mm	A	B	C	D
15	13	65		
20	13	67		
32				

ELBOW



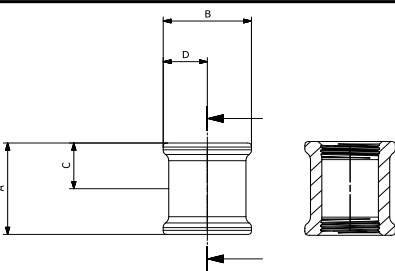
mm	A	B	C	D
15	14	78		
20	14	84		
32	17	101		

TEE JUNCTION



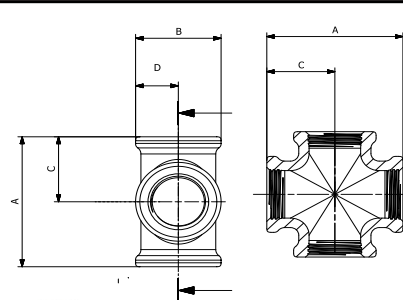
mm	A	B	C	D
15	45	28	22	21
20	54	44	27	24
32				

SOCKET



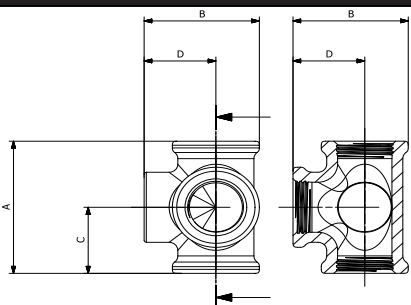
mm	A	B	C	D
15	28	28	14	14
20	34	34	17	17
32				

CROSS



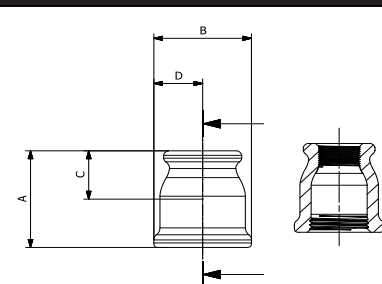
mm	A	B	C	D
15		21		
20		27		
32				

SIDE OUTLET TEE



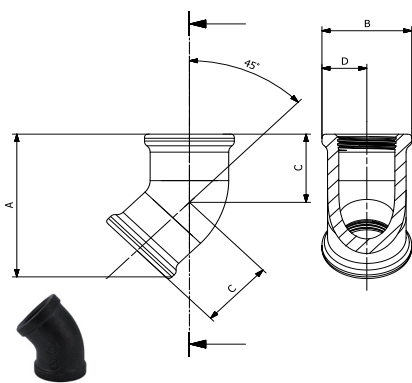
mm	A	B	C	D
15	58	41	27	29
20	60	50	30	28
32				

REDUCING SOCKET



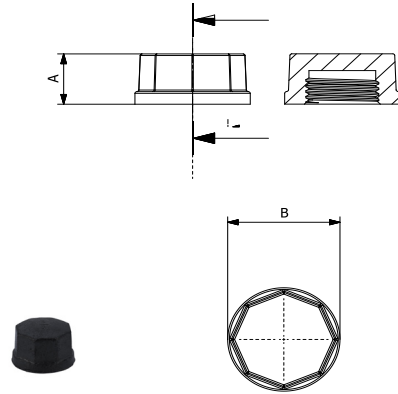
mm	A	B	C	D
15	39	34	19	17
20	39	34	19	17
32				

45 DEGREE ELBOW



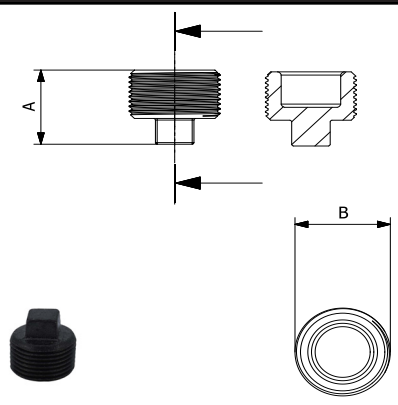
mm	A	B	C	D
15	50	28	26	14
20	55	34	30	17
32				

ENDCAP



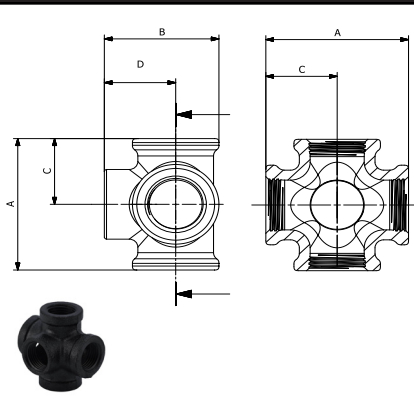
mm	A	B	C	D
15	19	28		
20	20	34		
32				

PLUG



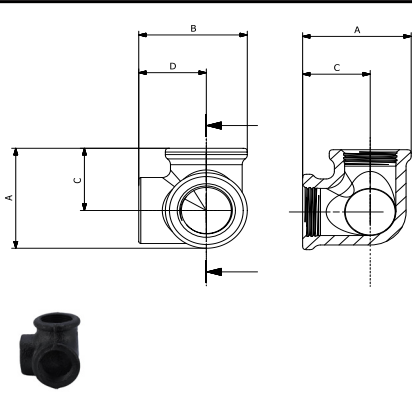
mm	A	B	C	D
15	21	21		
20	24	26		
32				

5 WAY CROSS



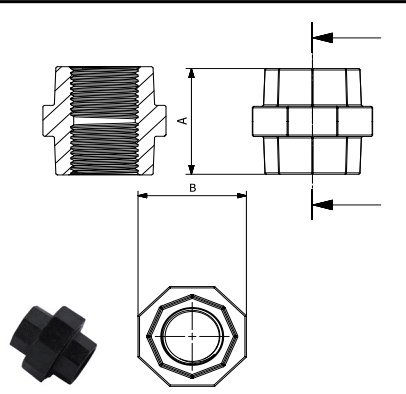
mm	A	B	C	D
15	58	40	27	25
20	60	47	30	29
32				

SIDE OUTLET ELBOW



mm	A	B	C	D
15	45	42	29	27
20	48	48	28	28
32				

UNION



mm	A	B	C	D
15	44	40		
20	50	50		
32				