



LI-ION



EUROPEAN  
QUALITY



PATENTE D  
[DESIGN]

prunz™  
ELECTRIC PRUNING SHEARS



**PZPALC**



Battery-Powered Gardening Shears  
**OPERATION GUIDE**

## 1. GENERAL SAFETY

Please read the following information carefully. User must read and understand the entire manual before operating the shears. Failure to follow instructions or improper use could lead to equipment failure and possible serious injuries.

Retain all safety directions and instructions for future use.

### 1.1 WORK AREA SAFETY

- Keep work area clean and light. Cluttered or dark areas will cause accidents.
- Keep children and bystanders away while operating the shears. Distractions can cause you to lose control of the tool.

### 1.2 ELECTRICAL SAFETY FOR BATTERY CHARGER

- The plug must match the outlet. Never modify the plug in any way. Do not use any adapter plugs with grounded power tools. Unmodified plugs and matching outlets will reduce risk of electrical shock.
- Do not expose the shears to rain or wet conditions. Water entering a power tool will increase the risk of electrical shock.
- Do not abuse the cord. Never use the cord for carrying, pulling, or unplugging the power tool. Keep cord away from heat, oil, sharp edges, or moving parts. Damaged or entangled cords increase the risk of electrical shock.

### 1.3 PROPER USAGE

- prunz™ Electric Pruning Shears are a professional tool that is to be used only for pruning trees, bushes, shrubs, and vines.
- Do not overload the shears. Selecting the correct tool allows for safe and efficient work.
- Do not use the shears if the switch does not work properly. Tool should be repaired if the switch does not work.
- Disconnect the shears from the battery or power source before adjusting, repairing, replacing, or storing the tool. This will avoid injuries due to unexpected starting of the tool.
- Store the shears away from children. Do not allow an un-trained person to operate the shears.
- Maintain the shears. Always check moving parts for any damage that could cause injury. Proper maintenance can prevent injury caused by the tool.
- Keep blades sharp and clean. This allows the tool to be easily controlled and avoid jams.
- Read the manual before operating the shears. Always select suitable tools and the right accessories to avoid injury.
- Ensure the power switch is in the OFF position before connecting the battery. Inserting a battery into shears on the ON position will cause damage to the battery and risk injuries.
- Only use the charger specified by the manufacturer. Using another charger could damage the battery and cause risk of fire.

- The shears are only designed to be used with the original battery from the manufacturer. Using a different battery could cause damage to the shears and lead to injuries.
- The battery should be stored away from metal parts, such as clips, coins, keys, nails, screws, or other small metal objects. Short circuiting the battery will cause fire.
- Improper usage will cause leakage of liquid. Flush any body parts that touch the liquid in clean water. If liquid touches the eyes, see a doctor immediately. The liquid from the battery can cause burns.

### 1.4 PERSONAL SAFETY

- Keep alert, watch what you're doing, and use common sense while operating the shears. Do not operate the tool when you are tired, or under the influence of drugs, alcohol, or medication. A moment of inattention while operating the shears can cause serious personal injury.
- Use personal protective equipment. Always wear goggles. Extra safety equipment, such as a dust mask, anti-skid safety shoes, hard hat, hearing protection, and other devices appropriate for the conditions will reduce risk of personal injury.
- Do not overreach. Keep proper footing and balance at all times. This enables better control of the shears in unexpected situations.
- Avoid accidental starts. Make sure the power switch is in the OFF position when connecting the power supply and/or the battery pack, or when moving the tool. Carrying the shears with your finger on the switch may be dangerous.
- Remove all adjustment keys or wrenches before the shears are switched ON. A wrench or key left attached to a rotating part of the shears may cause personal injury.
- Dress properly. Do not wear loose clothing or jewelry. Keep clothes, gloves, and hair away from moving parts as they may become caught in the moving parts.
- Make sure the you are rested and in good physical condition and mental health to operate and work with the tool. If the user's physical, sensory, or mental ability is restricted, they should not operate the shears or may only work under the supervision of a responsible person.
- You must be able to recognize and assess the risks involved in using the pruning shears and battery.
- The person operating must be of legal age or is being trained in a trade under supervision in accordance with national rules and regulations.
- Work calmly and carefully. If you begin to feel tired, take a break.
- Do not operate above shoulder height.
- Stand firmly on the ground while working and keep a good balance. If it is necessary to work at heights, use a lift bucket or a safe platform. You may be seriously injured if you stumble or fall.

## 2. SPECIAL SAFETY INFORMATION

### 2.1 OPERATING PRUNING SHEARS

- Keep everyone at least 5-ft away from the blade. Do not move while blade is cutting.
- Keep all body parts at least 6-in away from the blade when operating. Careful operating of the shears will avoid injury.
- Only move the tool when the blades are stationary. Always store the shears with the protection guard on. Protecting the blades will reduce damage.
- Do not use the pruning shears in the rain.
- The shears are designed for trimming hedges or branches. Do not use to cut hard wood, or other objects.
- Do not attempt to dislodge a blocked/trapped blade before switching the unit off.
- Before trimming, check the hedge or branch for hidden objects such as wires, etc.
- When operating the shears, hold the tool firmly with one hand while keeping the blade at least 6-in from the other hand and other parts of the body.
- Do not use the shears in the proximity of flammable liquids or gases. Fire and explosion risk exists in the event of a short circuit.
- Check the blades regularly for wear. Blunt blades will overload the machine and resulting damages are not covered by warranty.
- Do not attempt to repair the tool yourself. Contact WESSOL, LLC in case you need to make any repairs not outlined in this manual.
- During intensive cutting, the body of the shears may heat up. In order to avoid risk of damaging the tool, slow down the speed or intensity of cutting.

### 2.2 BATTERY SAFETY

- Make sure the power switch is in the OFF position before inserting the battery. The equipment can be damaged if inserting the battery with the switch ON.
- The charger is designed for indoor use only. All charging operations should be performed indoors.
- Disconnect the power before cleaning the charger to avoid damage and risk of electrical shock.
- Do not expose the battery to strong light. Do not put the battery on a hot surface. It could lead to the battery exploding.
- Make sure the battery has fully cooled down before charging.
- Do not disassemble the battery, do not damage the battery.

### 2.3 CHARGER SAFETY

- The charger should only be used on a rechargeable battery. Using any other type of battery can cause fire or explosions. Always use the original charger with your battery.
- Always check the charger wires and plug before use. If there is damage to the charger, please contact WESSOL Support.
- Do not use a damaged charger, do not try to repair the charger yourself.

- Make sure the voltage of the charger matches the battery to avoid injury.
- Disconnect the charger before activating the power switch on the shears.
- Keep the charger clean and away from any wet environments. Do not use the charger outside as dirt or water can cause injury.
- The charger is designed to be used with the original battery only. Using a different battery can cause damage and increased risk of fire.
- Do not use the charger on surfaces that can easily catch on fire such as paper or dry goods.

### 2.4 CHARGING THE BATTERY

- Charge at a temperature of 50°F - 72°F indoors.
- Make sure the shears are at the OFF position before charging.
- Connect the adapter of the charger with the battery correctly.
- Make sure the specifications on the battery and charger match before charging.
- A red LED light on the charger indicates the battery is charging, while a green LED light indicates the battery is fully charged.
- Remove the connector from the charger to the battery once the battery is fully charged.
- When storing the battery, make sure it is charged every three months to ensure performance.

The battery is not fully charged when first unboxing. You must charge it for 2.5 hours before the first use. Connect the battery to the charger before powering on. Make sure not to charge the battery for too long as it will damage the battery.

### 2.5 WORKING ENVIRONMENT

- Keep the shears at a temperature of 23°F - 86°F when working.
- Do not use in an explosive environment or near flammable substances or gases.
- Do not use in the case of rain or on wet branches.
- Keep bystanders, children, and animals away from the working area as they may not be aware of the dangers of pruning shears or thrown objects.
- Do not leave the tool unattended; make sure children cannot play with the tool.
- Do not use the pruning shears in an environment where light and visibility is poor.
- Always watch out for obstacles when operating the tool.
- Do not work near live electric cables. This can result in accidental contact with the cutting blade and damage the cables; leading to serious or fatal injuries.

## TABLE || Of Contents

About	5
Parts	6
What's Included	6
Assembly	7
Operation	8
Aftercare	9
Sharpening	9
Maintenance	10
Storage	12
Indicators & Warnings	13
Troubleshooting	14
Waste	15
Warranty	15

## ABOUT || Your Shears

**prunz™ electric pruning shears are specially designed for cutting hedges, brush, and branches.**

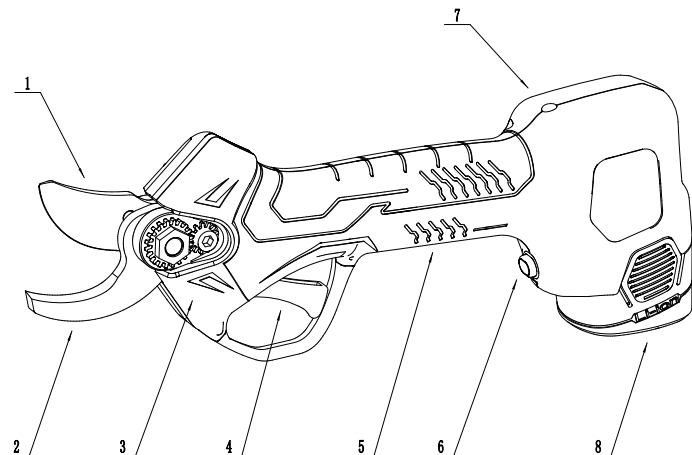
The strong cutting blades are crafted from a special class steel. The lightweight shears allow for easy operating with one hand. Thanks to the thoughtfully engineered design, the blades will cut softly even when close to the branch to prevent damaging the plant.

### prunz™ Electric Gardening Shears Specifications

Model Number	PZPALC	Power	150 W
Battery Type	Lithium-ion	Weight	~2 lbs
Battery Voltage	14.4 V	Working Time	3,000 cuts/battery
Battery Capacity	2.0 Ah	Battery Charger	16.8 V/1 A
Battery Charging Time	2.5 hours	Max Cut	1-in (live branches) 0.6-in (dead branches)



# PARTS || Diagram



## prunz™ Electric Gardening Shears Components

1	Cutting blade	5	Grip
2	Fixed blade	6	Power switch
3	Blade fixing mechanism	7	Battery indicator
4	Trigger	8	Battery



## Included Items

Item	Part Number	Name
1	PZPALC	prunz™ Electric Pruning Shears
2	PZAAL	14.4V Lithium-Ion Battery
3	PZAALF	Battery Charger
4		Assembly Wrenches
5		Thread Compound

## STEP 1 || Assembly

Check that your pruning shears, charging cable and battery are clean and dry, then follow the steps below to assemble:

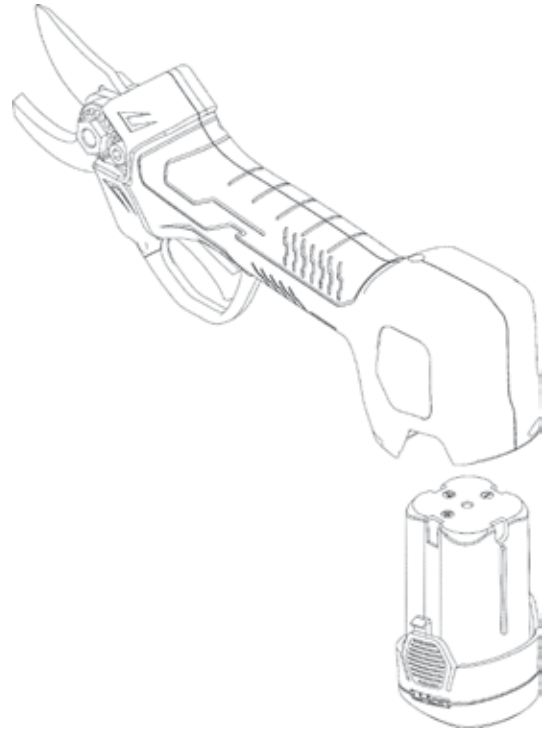
**1.1** The battery will not be fully charged when first removed from the package. Charge the battery prior to the first operation. The battery will need to be charged for 2.5 hours.

The battery should only be charged at temperatures between 50°F - 72°F. The LED indicator will blink when charging. Do not leave the battery on the charger for more than 5 hours.

**1.2** Place the charged battery pack into the battery compartment and secure it. Make sure that the connector is facing the right if your are right-handed.

**1.3** Check the opening and closing position of the pruning shears.

**1.4** Grip the handle with your hand.



## STEP 2 || Operation

Always make sure you are wearing suitable clothing, gloves, and other protective equipment when operating the shears.

**2.1** Turn ON the power switch. After the warning tone, pull the trigger two times in a row. After another warning tone, the blades will be open and be ready to operate.

**2.2** When ready to cut, place the blade at the base of the branch and press the trigger.

**2.3** Do not move the tool when the shears are cutting. Once the blades return to the starting position, move on to the next branch.

It may take a few seconds for the blade to come to a full stop. Make sure the blades are fully stopped before attempting to operate them, otherwise it could lead to bodily injury.

Do not sway the pruner from side to side. This could damage the edges of the blade as it returns to the starting position.





## STEP 3 || Aftercare

Proper maintenance will ensure the shears remain safe and reliable; check your pruners frequently. Always wear gloves and remove the battery when checking the blades on your tool.

**3.1** To ensure proper ventilation, clean the motor and handle with a duster. Do not flush with a cleanser or water as it will lead to rust.

**3.2** Clean the blades after every use. You may protect them by applying an oil or protective spray.

**3.3** If working continuously for 8 hours, open the front cover of the shears and clean up any impurities that may have been lodged inside.

Switch OFF the battery power and disconnect the tool before performing any checks, maintenance, or repair on the shears. Accidental activation of the shears could lead to injury.

## STEP 4 || Sharpening

Sharpening your tool is an important step in keeping the blades in good condition and ensuring a long lifespan.

**4.1** Always check to make sure the blades are in good condition before working.

**4.2** The frequency of sharpening depends on the nature of the sheared wood (hardness and diameter), pruning rate, and sharpening tools.

**4.2.1** The blade must be checked regularly during the early days of use to determine the appropriate grinding time. It is recommended to check the blade sharpness every 15 minutes in order to determine how often it needs to be sharpened. With intensive pruning, daily sharpening is recommended throughout the cutting season.

If cutting is no longer clean and effortless, the shears are consuming more power than required. Check the blade sharpness and general condition of the pruning shears. Contact WESSOL Support if the problem persists.

## STEP 5 || Greasing & Blade Replacement

General maintenance, cleaning, lubrication, and blade replacement requires some disassembly and assembly of the pruner.

**5.1** Loosen the screw of the adjustment clip (1) with a M4 Allen key. Remove the screw and the adjustment clip (2). Loosen the nut (3) with a wrench and remove. Then, remove the center screw (4).

**5.2** Unscrew the cover screws (5).

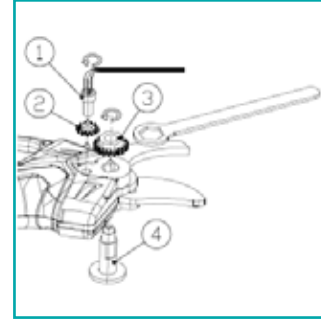
**5.3** Remove the cover (6).

**5.4** Remove the blade (7) and apply grease (8) on the teeth.

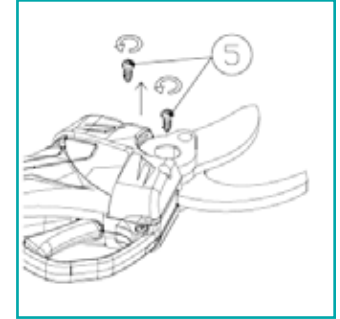
The cover is fastened to the pruner by two screws. The center bolt is secured with an adjustable gear nut that is locked into place by a gear nut clip.

By removing the cover, adjustment clip, gear nut, and center bolt, you can access, maintain, clean, lubricate, and replace the blades when necessary.

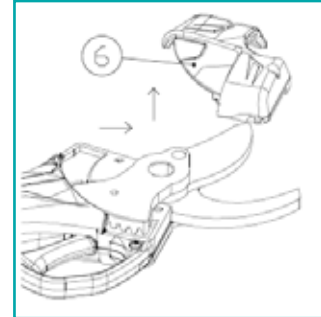
**5.1**



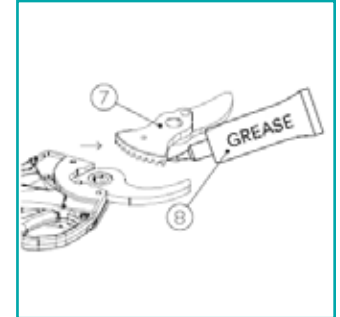
**5.2**



**5.3**



**5.4**



**5.5** Clean off the old grease (9) and apply grease on the counter blade (10).

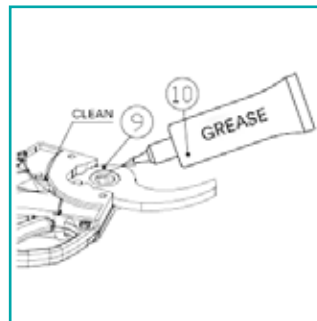
**5.6** Re-insert the blade (11).

**5.7** Replace the cover (12).

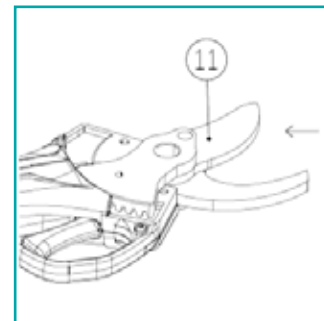
**5.8** Secure the cover with the cover screws (13).

**5.9** Insert the central straw (14). Tighten the nut with a wrench (15). Then, place the clip with the nut and assemble the screw (16). Lastly, tighten the screw using a M4 Allen key (17).

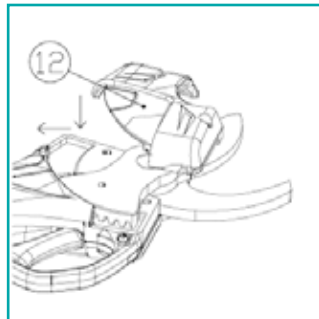
**5.5**



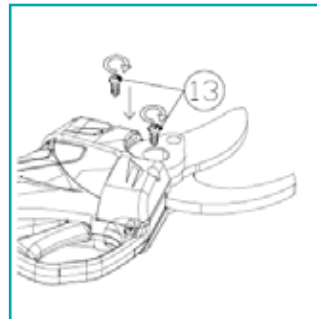
**5.6**



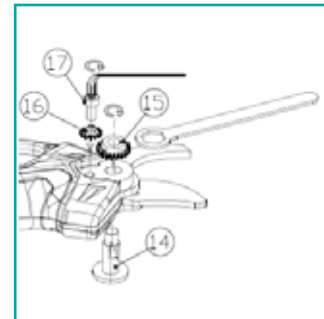
**5.7**



**5.8**



**5.9**



## STEP 6 || Storage

When storing the pruner, it is essential to keep the battery in mind.

**6.1** Ensure the lithium-ion battery is fully charged and the battery pack is switched OFF.

**6.2** Avoid storing the tool in extremely hot or cold environments.

**6.3** If you plan on storing the shears for an extended amount of time, make sure to disconnect the battery from the unit before storage.

Storing your battery pack for extended periods of time with little or no charge will damage your battery and void your warranty.

**6.4** The battery and charger should be placed in a secure location away from heat, dust, and moisture.

**6.5** For long-term storage, charge the battery at least once every six months.

### Recommended Storage Temperatures

Storage less than one (1) month	-4°F - 140°F
Storage less than six (6) months	14°F - 95°F
Storage over six (6) months	32°F - 86°F

# INDICATORS || & Warning Signals

## CHARGE LEVEL INDICATORS

To determine your pruner battery level, your device is supplied with a simple LED light.

When the LED light is green, it indicates the battery is fully charged and ready for operation. Depending on working variables, typically a full charge lasts for 2.5 hours of work.

Charge Level Based on LED Light	
Green	100% - 40%
Orange	40% - 20%
Red	Less than 20%

When the red LED light is blinking, the battery should be charged as soon as possible.

## BATTERY WARNING TONES

If your equipment needs service, make sure to use only manufacturer parts for replacements. This will ensure the safety of the device.

Types of Warning Tones			
Beeps	Interval	Frequency	Description
1 Time	0.3 Seconds	Does Not Repeat	The device is turning on or off.
2 Times	0.1 Seconds	5 Repetitions	The shears tried 10x to cut a branch that is too big.
4 Short Times	0.1 Seconds	Does Not Repeat	The battery charge is running out.

Pruners that have cut over 100,000 times require comprehensive maintenance and inspection.

# TROUBLESHOOTING || & Repair

Always use original replacement parts from the manufacturer. If you need help, contact Support at +1(803) 339-2500.

Issue	Possible Cause	Solution
Pruner does not start	Battery is dead.	Charge the battery.
	Battery is not connected.	Connect the battery.
	Safety switch cannot be initiated.	Initiate the safety on switch to open.
	ON/OFF switch failure.	Contact Support.
Intermittent operation	Loose internal connections.	Contact Support.
	ON/OFF switch failure.	
Hot blades	The blade is dull.	Sharpen or replace the blade.
	There is a blade gap.	
	Poor lubrication, resulting in excess friction.	Lubricate the blade.

Issue	Possible Cause	Solution
Poor trimming performance	Lack of lubrication leading to excess friction.	Lubricate the blade.
	The blade is dirty.	Clean the blade.
	The blade is dull.	Sharpen or replace the blade.
	The battery is not fully charged.	Charge the battery.
Will not charge; the charger LED indicator flashes red	Battery is not properly placed in the charger.	Insert the battery correctly.
	The charger is not connected properly to the power supply.	Make sure the connection to power is secure.
	Battery contact point is dirty.	Clean the battery contacts.
	Battery is invalid.	Replace the battery.
	Battery charger is invalid.	Replace the battery charger.

## WASTE || & Environmental Protection

**Remove the battery from the tool; recycle the battery, shears, accessories, and packaging to the appropriate facilities.**

**A.** The equipment cannot be disposed of like household waste. It must be sent to a recycling center. The metal and plastic in the equipment can be recycled after it is screened.

**B.** Do not discard the battery with household waste, in fire, or water. In the case of toxic gas/liquid leakage, a damaged battery may pose potential environmental and personal health hazards.

**B.1** Before discarding the battery, make sure there is no charge left. It is recommended to stick adhesive tape on the connection poles to prevent a short circuit. Do not open the battery.

**B.2** Dispose the battery according to local regulations. The battery should be sent to a battery recycling station for environmentally-friendly recycling treatment. For more information, contact your local waste management agency.

**C.** Dispose pruned branches in designated stacks.

## WARRANTY || Coverage

### Warranty Coverage

WESSOL, LLC warrants to the original purchaser that the prunz product will function as intended under normal use and consistent maintenance, subject to certain limitations and exclusions. At the discretion of WESSOL, LLC, we will repair or replace any parts found to be defective in material or workmanship without charge, apart from shipping and handling costs, during the covered warranty period.

### Warranty Period

The warranty period will begin from the date of retail purchase and exist for one (1) year, regardless of when the unit is placed in service. The warranty period is not extended if we opt to repair or replace the product in question.

### Warranty Claims

WESSOL, LLC reserves the right to require the return of the defective product, proof of purchase, and established product registration to file a claim under this warranty.

### Exclusions And Limitations

This warranty is only extended to products purchased from authorized distributors. Unauthorized distributors or resellers are not subject to warranty coverage.

The following conditions will invalidate the warranty: any abnormal operation, lack of maintenance according to operation manual, modifications, damages (including accidental or self-repairs), battery not charged with requested frequency. Components subject to wear (such as the blades) during normal operation are not covered by the warranty.

A person wearing a red and black plaid shirt and a grey glove is using a teal and black electric pruning shears to cut a tree branch. The background is a dark, blurred outdoor setting with tree trunks and branches.

# prunz™

ELECTRIC PRUNING SHEARS