

PRODUCT:

PILLAR WALL LIGHT

TECH SPEC

Manufactured to BS EN 60598-1:2015

Last updated: 19.12.2022 (VR)

PRODUCT

WEB LINK:

→ rothschildbickers.com/pillar-wall-light

LAMPHOLDER:

Standard: E14 (UK EU) or E12 (USA) / SES bulb

ELECTRICAL:

AC 220-240V Nominal frequency 50Hz

AC 110 O 120V Normal frequency 60Hz (USA)

MAX WEIGHT INC. 2M FLEX

Standard: 1.4kg

BACK PLATE:

Side fix back plate with wall bracket and 3 x screws

*For all USA a larger 4.7 inch back plate is provided to fit over Raco back box which is not supplied. This has a 4.56 inch back strap with 2 x side fix screws.



OPTIONS

SHAPE:

Standard

METAL FINISH:

Standard colours → rothschildbickers.com/metal

GLASS COLOUR:

Standard colours -

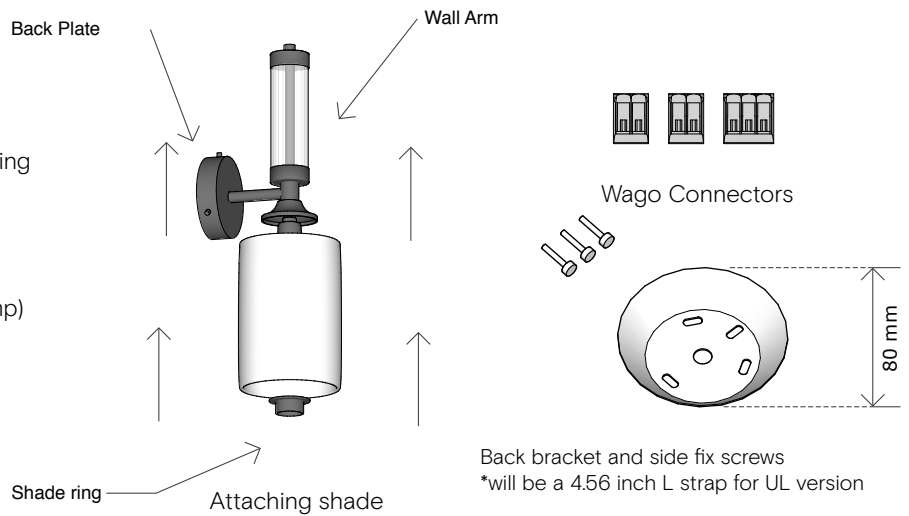
→ rothschildbickers.com/glass-colours

GLASS FINISH:

Top: Reeded clear Base: Plain only

INCLUDED IN THE BOX

- 1 x Glass shade
- 1 x Wall arm with back plate & lampholder/shade ring
- 1 x Back plate bracket (back strap for UL version)
- 3 x Grub screws and washers (2 x for UL version)
- 3 x Wago Connectors or junction box
- 1 x E14 LED Bulb (UK/EU only)
- *No bulb supplied for USA (self-ballasted LED lamp)
- 1 x Installation guide



DIMENSIONS

