

PRODUCT:

## EMPIRE PENDANTS

TECH SPEC

Manufactured to BS EN 60598-1:2015

Last updated: 19.12.2022 (VR)

### PRODUCT

WEB LINK:

→ [rothschildbickers.com/empire](https://rothschildbickers.com/empire)

LAMPHOLDER:

Short/Tall: E27 or E26 (USA) /ES bulb

ELECTRICAL:

AC 220-240V Nominal frequency 50Hz

AC 110 O 120V Normal frequency 60Hz (USA)

MAX WEIGHT INC. 2M FLEX

Short/Tall: 1.4 - 1.6kg

STANDARD CEILING ROSE:

Petite, Empire or Classic rose included -

→ [rothschildbickers.com/ceiling-roses](https://rothschildbickers.com/ceiling-roses)

\*For all USA a larger 4.7 inch ceiling canopy is provided to fit over Raco back box which is not supplied.



### OPTIONS

SHAPE:

Standard

METAL FINISH:

Standard colours → [rothschildbickers.com/metal](https://rothschildbickers.com/metal)

FLEX:

Standard colours & styles (3 core)

→ [rothschildbickers.com/flex](https://rothschildbickers.com/flex)

Supplied standard with 2m (can be cut on site)

Extra length up to 12m on request

GLASS COLOUR:

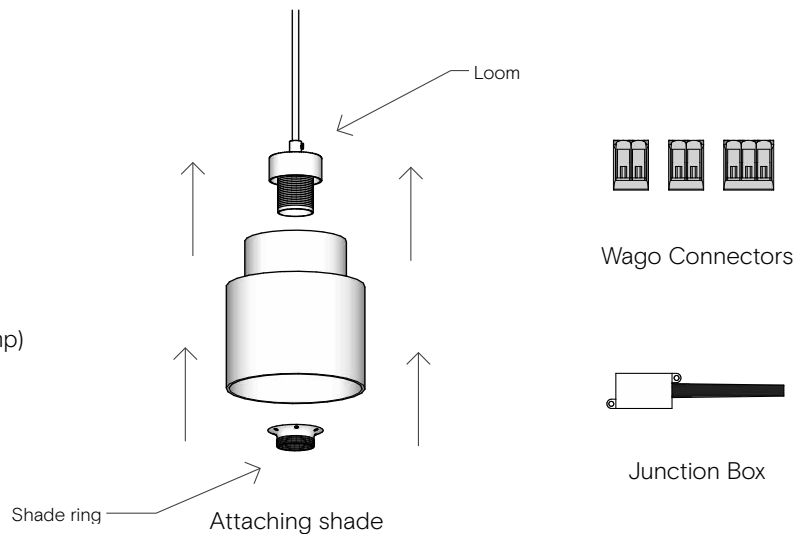
Clear only

GLASS FINISH:

Plain only

### INCLUDED IN THE BOX

- 1 x Glass shade
- 1 x Electrical loom wired with flex
- 1 x Standard ceiling canopy
- 1 x Ceiling rose bracket, screws and washers
- 3 x Wago Connectors or junction box
- 1 x E27 LED Bulb (UK/EU only)
- \*No bulb supplied for USA (self-ballasted LED lamp)
- 1 x Installation guide



### DIMENSIONS

