

PRODUCT:

SHIP CLUSTERS

TECH SPEC

Manufactured to BS EN 60598-1:2015

Last updated: 19.12.2022 (VR)

PRODUCT

WEB LINK:

→ rothschildbickers.com/ship-clusters

LAMPHOLDER:

Standard: E27 or E26 (USA) / ES bulb

ELECTRICAL:

AC 220-240V Nominal frequency 50Hz

AC 110 O 120V Normal frequency 60Hz (USA)

MAX WEIGHT INC. 2M FLEX

Standard: 5.5KG

CEILING PLATE:

Standard: 265mm

MINIMUM DROP

Standard: 850mm



OPTIONS

SHAPE:

Standard

METAL FINISH:

Plates available in powder coated White only

Looms available in Polished Brass or Polished Nickel

FLEX:

Standard colours & styles (3 core)

→ rothschildbickers.com/flex

Supplied standard with 2m (can be cut on site)

Extra length up to 12m on request

GLASS COLOUR:

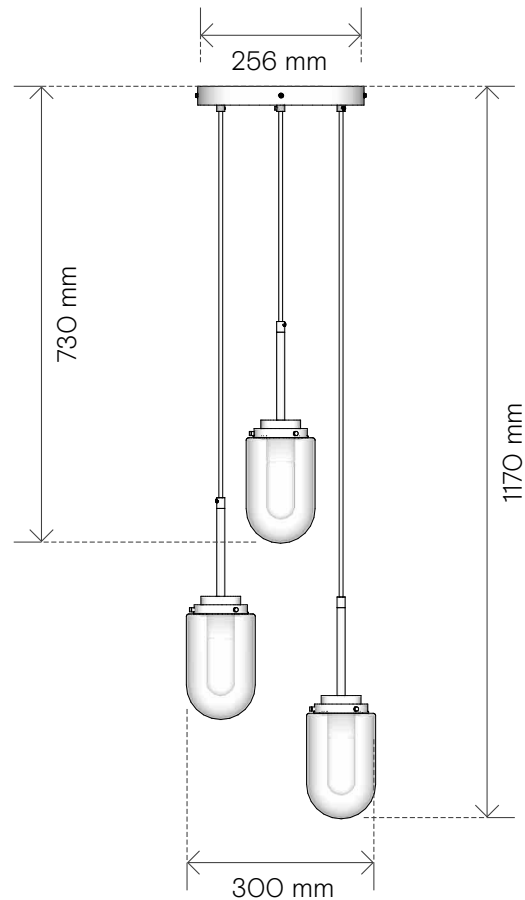
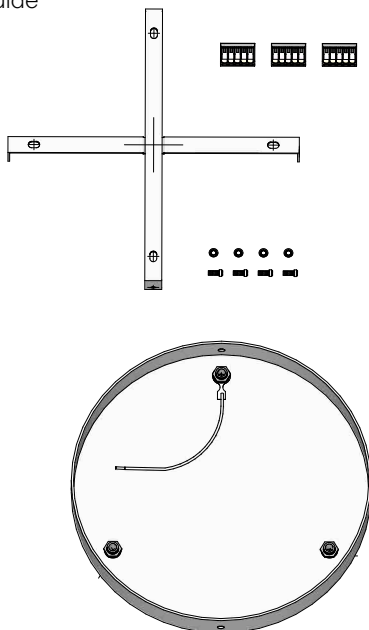
Clear only

GLASS FINISH:

Optic only

INCLUDED IN THE BOX & DIMENSIONS

- 3 x Glass shades
- 3 x Electrical looms wired with flex
- 1 x Standard 265mm D ceiling plate
- 1 x Ceiling plate back strap & fixings
- 4 x Side fixing screws
- 3 x Wago connectors & earth lead
- 3 x E27 Bulbs (UK & EU only)
- *No bulb supplied for USA (self-ballasted LED lamp)
- 1 x Installation guide



Recommended drop height shown (1170mm)

*Minimum 850mm