

PRODUCT:

UL 120mm D Ceiling Canopy

TECH SPEC

Manufactured to BS EN 60598-1:2015

Last updated: 20.01.2023 (VR)

PRODUCT

WEB LINK:

→ rothschildbickers.com/collections/ceiling-roses-sconces

ELECTRICAL:

Single port ceiling canopy with built in strain relief
Covers electrical box and protects the wiring connection.
Secured with tow side screw and mounting bracket.

OPTIONS

METAL FINISH:

Standard colours → rothschildbickers.com/metal

DIMENSIONS:

Canopy/rose - 120mm D (4.7 inch) x 28mm H (1.1 inch)

Mounting bracket - 116 mm (4.56 inch) back strap

M6 x side fix grub screws

M4 washers

TO FIT FLEX/CORD SIZE:

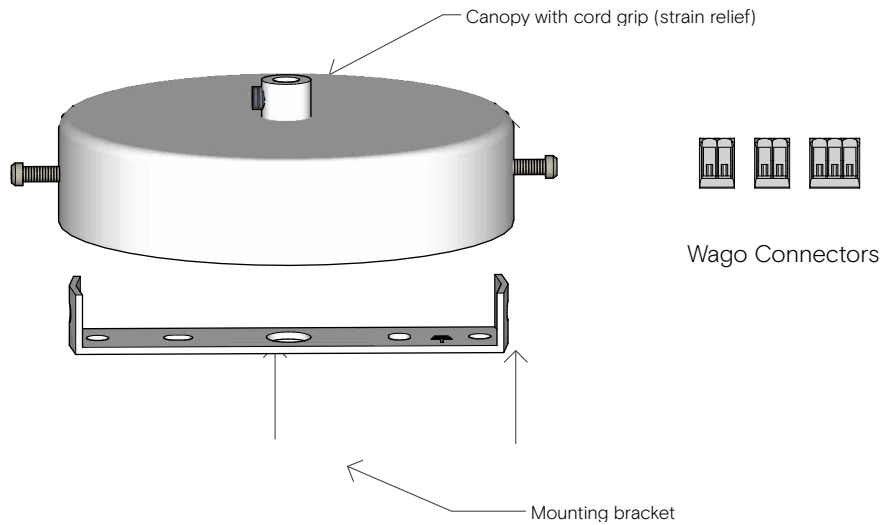
Twisted textile braid outer diameter 5.7mm

Round textile braid outer diameter 7.2mm



INCLUDED IN THE BOX

- 1 x Ceiling Canopy/rose
- 1 x Mounting bracket
- 3 x Wago connectors
- 2 x Side fix grub screws
- 2 x Washers
- 1 x Fly lead (Pigtail)



DIMENSIONS

