

# Orca Bath Lifter

THE ULTIMATE BATHING EXPERIENCE



**SUPERIOR QUALITY, DURABLE BATH LIFTERS**  
INNOVATION | COMFORT | FREEDOM



**AQUATEC®**

Yes, you can.®

# Orca Bath Lifter

The Aquatec Orca family provides superior quality and durable bath lifters that are designed to offer comfort, safety and reassurance to those most in need of support as they bathe. The Orca incorporates increased leg room, ease of disassembly and an ergonomic floating hand control that contains a highly efficient, light weight battery.

- Impressive weight limit of 140 kg
- Orca XL supports users up to 170 kg
- Sits lower and further towards the back of the bath
- Increased leg room for deeper and more relaxed bathing
- Increased height of the backrest adds support whilst upright or reclined

## Comfortable, safe and highly efficient

The Aquatec Orca range has been designed with the user in mind, giving a comfortable and straightforward bathing experience. Key features include:

- Reclining backrest
- Integrated head support
- Quick release hand control
- Battery with Sony™ technology
- Auto unlock for quick removal from bath
- Backrest recline up to 40°

The reinforced scissor mechanism on the Orca range combines safe lifting with a compact construction while the minimum seat height of just 60 mm allows plenty of room for a deeper and more comfortable bath.



## Aquatec Orca XL

A powerful bath lifter with a maximum user weight of 170 kg.



## Features and options



### Textured seating surface

The Orca has a textured surface allowing use without covers if desired. The side flaps are hinged flush to the main seating surface and allow comfortable and safe side transfers, without entrapment of skin.



### Two-piece design

When pushed forward the Orca's backrest folds down and automatically unlocks. The backrest and base section can then be removed from the bath with ease. The 2 sections fit neatly into one another to give an extremely compact size for storage.



### Easy to clean

The open, clean-cut design of the Orca combines with its smooth surfaces to offer effortless cleaning.

## Accessories Aquatec bath lift



### Reclining special backrest

Individually adjustable side parts for secure positioning.

- **1471623** White, for Orca (for retrofitting)



### Height-adjustable headrest

For the safe support of the head and neck area. Recommended in conjunction with the special backrest. All parts for the headrest assembly included.

- **15461** White, for all Orca



### Safety belts

To hold the user securely.

- **1471209** Chest belt, white, for Orca / Orca XL



### Chest and pelvic belt

Soft, skin friendly material.

- **1528702** for Orca



### Stopper/abduction unit

Prevents slipping off the seat surface. Available for all battery-driven bath lifters.

- **1525932** - Blue (7cm height)
- **1525933** - Blue (12cm height)



### Height adapters

The **Orca** can be adapted to suit a full range of bath heights. The 2, 4 or 6cm height adapters can be quickly fitted to the bath lift base.

- **15170** Height adapter 2 cm (4 pcs.) incl. conversion kit
- **14694** Height adapter 2 cm (4 pcs) Extension kit without conversion kit



### Side flap deflectors

To be used for hand grips in the bathtub. The side flap deflector can also be shortened when required.

- **15309** for all battery driven bath lifts (1 piece)



Yes, you can.®

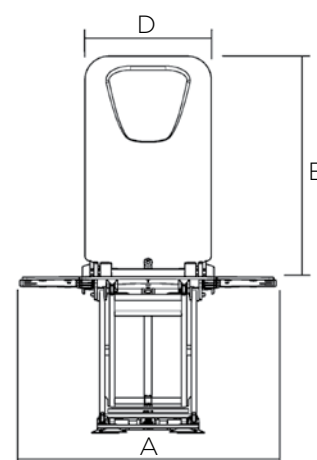
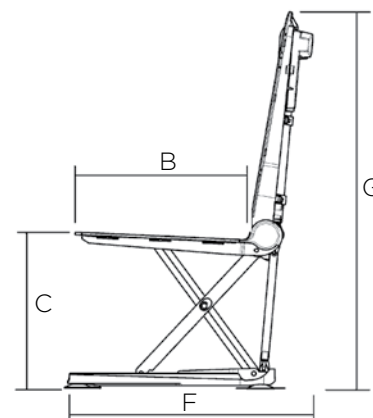
## Technical data

For more comprehensive pre-sales information about this product, including the product's user manual, please see your local Invacare website.

Dimensions	Aquatec Orca	Aquatec Orca XL
Seat width without side flaps	375 mm	375 mm
Seat width with side flaps	715 mm (A)	715 mm (A)
Seat depth	590 mm (B)	590 mm (B)
Seat height max.	420 mm (C)	420 mm (C)
Seat height min.	60 mm	60 mm
Width of backrest	360 mm (D)	360 mm (D)
Height of backrest	665 mm (E)	665 mm (E)
Total depth (backrest upright)	650 mm (F)	650 mm (F)
Total depth (backrest reclined)	920 mm	920 mm
Total height with backrest	1075 mm (G)	1075 mm (G)
Base area	580 x 295 mm	580 x 295 mm
Cover thickness	3 mm	3 mm

More info		
Total weight without hand control	10.8 kg	11.6 kg
Total weight without battery pack	-	-
Weight, seat	6.6 kg	7.4 kg
Weight, backrest	4.2 kg	4.2 kg
Weight, hand control	0.4 kg	0.4 kg
Weight, battery pack	-	-
Load capacity	140 kg	170 kg
Backrest can be reclined by up to	40°	40°
Colour	White	White

Product	Code
Orca	1573865
Orca XL	1573744



FOR FURTHER INFORMATION:

**New Zealand:** Freephone 0800 468 222, email [sales@invacare.co.nz](mailto:sales@invacare.co.nz) or visit [www.invacare.co.nz](http://www.invacare.co.nz)

**Australia:** Freephone 1800 460 460, email [orders@invacare.com.au](mailto:orders@invacare.com.au) or visit [www.invacare.com.au](http://www.invacare.com.au)

**Asia:** Phone +61 2 8839 5330, email [anzexportsales@invacare.com](mailto:anzexportsales@invacare.com) or visit [www.invacare.com](http://www.invacare.com)

**Thailand:** Phone +66 0 2821 5515 or visit [www.invacare.co.th](http://www.invacare.co.th)



Yes, you can.®