

# Spare Parts Catalogue

---

Version: 2018/05/25a EN





**Yes, you can.®**

## **General Information**

*For any order of spare parts the following information is required:*

- Product type*
- Product name & model*
- Serial Number*
- Part-Number*
- Part-Description*

*Exploded view drawings and code numbers are not contractual and subject to modification, in relation to Invacare® continuous product improvement policy to meet end users needs.*

*The reproduction or use of this work, or of any substantial part of this work, in any form or by any electronic, mechanical or other means, including photocopying, scanning and recording, and in any information storage and retrieval system, including electronic transmission, is forbidden without the prior written permission of Invacare® International Sarl.*



Yes, you can.®

## TABLE OF CONTENTS

---

### Information

Abbreviations .....	9
---------------------	---

### Chassis

Chassis .....	10
Side Frame 2017.09.18 => .....	11
Side Frame => 2017.09.17 .....	13
Side Frame Action XT 2017.09.18 => .....	15
Side Frame Action XT => 2017.09.17 .....	17
Folding System .....	19
Folding System Action XT .....	20
Size Stickers .....	21

### Seat

Seat .....	22
Seat Upholstery Eco .....	23
Seat Upholstery Standard .....	24
Padded Seats Upholsteries .....	25
Adjustable Depth Seat Upholstery .....	26
Seat upholsteries cushions comfort Mistral .....	27
Anatomic Seat Ajustable .....	28
Toilet seat .....	29

### Backrest

Backrest .....	30
----------------	----

### Backrest type A3NG

Backrest type A3NG .....	31
Fixed Backrest 7° Height Push Handle .....	32
Additional Push Handle .....	33
Backrest Angle Adjustable 15°: 2017.09.18 => .....	34
Fixed Backrest .....	35
Fixed Backrest 350 mm Xtra .....	36
Fixed Backrest, Height Adjustable, Push Handle .....	37
Fold down backrest steel .....	38
Fold down backrest steel/aluminum .....	39
Adjustable Backrest From -6° To +24° =>2016.09.17 .....	40
Recliner Backrest 0° To 30°, Ratchet .....	41
Recliner Backrest 0° To 30°, Gaz Spring .....	42
Recliner Backrest 0° To 30°, Gaz Spring, Adj Handle =>2011-12-31 .....	43
Laguna backrests .....	44

### Backrest Upholsteries A3NG

Backrest Upholsteries A3NG .....	45
Backrest upholstery Rea .....	47
Lombar support padded back upholstery Bimaterial Black: 2017.09.18 => .....	48
Lombar support padded back upholstery Bimaterial .....	50
Lombar support padded back upholstery .....	52



Yes, you can.®

## TABLE OF CONTENTS

---

Backrest Upholstery For Height Adjustable Backrest .....	54
Lombar support padded back upholstery Bimaterial Black: 2017.09.18 => .....	55
Backrest Upholstery Bimaterial For Height Adjustable Backrest .....	56
Contour adjustable Bimaterial padded back upholstery Black: 2017.09.18 => .....	57
Contour adjustable Bimaterial padded back upholstery .....	59
Contour adjustable padded back upholstery .....	61
Contour adjust Bimaterial nylon type back upholstery Black: 2017.09.18 => .....	63
Contour adjustable Bimaterial nylon type back upholstery .....	65
Contour adjustable nylon type back upholstery .....	67
Contour adjustable Bimaterial padded back upholstery Black: 2017.09.18 => .....	69
Contour adjustable backrest upholstery Rea .....	71
Comfort upholstery .....	72
Backrest upholstery MatrX .....	74
Mounting Hardware MatrX .....	75

### Legrests

Legrests .....	76
Hanger fixed 80° Alu 2017.09.18 => .....	77
Hanger fixed 80° Alu 2015.01.26 => 2017.09.17 .....	78
Hanger fixed 90° Alu 2015.01.26=> .....	79
Hanger fixed 80° Alu =>2015.01.25 .....	80
Hanger fixed 90° Alu =>2015.01.25 .....	81
Hanger fixed 80° Steel [DK] .....	82
Assembly Legrest with footrest .....	83
Elevating legrest .....	84
Calf Pad .....	85
Amputee Legrest .....	86

### Footrests

Footrests .....	87
Fixed footrest .....	88
Fixed footrest with shorter support .....	89
Fixed footrest [DK] .....	90
Angle and depth adjustable footrest .....	91
Angle and depth adjustable footrest SH360 mm .....	93
Angle and depth adjustable footrest with shorter support .....	94
One piece footboard .....	95

### Siderests

Siderests .....	96
Armrest n°1 - Removable and height adjustable .....	97
Armrest n°1 Rio - Removable and height adjustable .....	99
T Armrest n°1 - Removable and height adjustable [UK] .....	101
T Armrest n°1 Rio - Removable and height adjustable [UK] .....	102
In-rigged for Armrest & T Armrest n°1 [UK] .....	103
Armrest n°1 Rio - Removable and height adjustable [DK] .....	104
Armrest n°2 - Swing Away Detachable 2017.09.18=> .....	105
Armrest n°2 - Swing Away Detachable =>2017.09.17 .....	106
Armrest n°3 - Swing Away Detachable Height adjustable 2017-09-18=> .....	108
Armrest n°3 - Swing Away Detachable Height adjustable =>2017.09.17 .....	109
Armrest n°4 - Removable and height adjustable Comfort .....	111



Yes, you can.®

## TABLE OF CONTENTS

---

Armrest n°4 - Removable and height adjustable .....	112
Armrest n°4 - Hemiplegic Dartex multiposition comfort .....	113
Armrest n°4 - Hemiplegic Dartex multiposition standard .....	114
Mudguard Xtra .....	115
Mudguard Carbon 2018.03.26=> .....	116
Armpads raiser kit .....	117
Tubular Armrest .....	118

### Front Wheels

Front Wheels .....	119
Forks 2017.09.18 => .....	120
Forks => 2017.09.17. ....	121
Forks supports adjustable .....	122
Front Wheel 2017.09.18 => .....	123
Front wheel extension kit .....	124
Front wheels => 2017.09.17 .....	125

### Rear Wheels

Rear Wheels .....	126
24" Standard Wheels .....	127
24" Heavy Duty Wheels =>2016-12-31 .....	129
24" Standard Wheels accessories .....	130
22" Standard Wheels .....	131
22" Heavy Duty Wheels .....	132
22" Standard Wheels accessories .....	133
20" Standard Wheels .....	134
20" Standard Wheels accessories .....	135
22"/24" Lightweight Wheels & Accessories .....	136
24" / 22" Hub brake wheels (Max user weight of 160 kg for Action4NG HD) .....	137
Quick release axle dia 12 Action .....	138
Spoke Guard .....	139
Rear Wheel Supports Black 2017.09.18 => .....	140
Rear Wheel Supports => 2017.09.17 .....	141
Rear Wheel Supports Black Action XT .....	142
12" Rear Wheels .....	143
Pump .....	144

### Brakes

Brakes .....	145
Push Brakes Black: Standard And With Extension .....	146
Push brake Transit black .....	147
Push brake Black Transit Amputé .....	148
Pull brakes Black: Standard And With Extension .....	149
Attendant Hub Brake .....	150
Oad Wire Control Brake .....	151

### Safety Options

Safety Options .....	152
Transportation attachment kit .....	153
Comfort transportation kit & belts .....	154



Yes, you can.®

## TABLE OF CONTENTS

---

Belts .....	155
Belt Body Point .....	156
Transfer Kit .....	157
Rear Anti Tipper and Tipping Tube .....	158
Reflectors .....	159

### Seating Options

Seating Options .....	160
Nylon cushions .....	162
Profil Air Cushions [FR] .....	163
Rigidizer [FR] .....	164
Classic Visco Cushions [FR] .....	165
Matrx Flo-Tech LITE cushions .....	166
Matrx Flo-Tech CONTOUR VISCO cushions .....	167
Matrx Flo-Tech IMAGE cushions .....	168
Matrx Flo-Tech XTRA cushions .....	169
Matrx VI Cushions .....	170
Matrx LIBRA Cushions .....	171
Trunk Support Comfort Dartex .....	172
Lateral positioning pad .....	173
Neckrest .....	174
Headrest .....	175
Cheek support .....	176
Soft pad headrest and adapter Matrx .....	177
Standard Headrest =>2011-06-30 .....	178
Heels strap .....	179
Calf Strap .....	180
Back Brace standard + support .....	181
Back Brace type Rea .....	182
Folding backbrace: 2017.09.18 => .....	183
In-rigged for Armrest & T Armrest n°1 [UK] .....	103

### Propulsion Options

Propulsion Options .....	184
Dual handrim QR axle 2014.09.29 => .....	185
Dual handrim QR axle => 2014.09.28 .....	186
Hand Control For Oad By Lever .....	187
Oad By Lever .....	188
Wheels For Oad By Lever .....	189
Rear wheel support transit .....	190
Support transit amputee Black 2017.09.18 => .....	191
Support transit amputee =>2017.09.17 .....	192
Dual Amputee Black Position .....	193

### Others Options & Accessories

Others Options & Accessories .....	194
Cane holder .....	195
Tipping tube .....	196
Dripstand .....	197
Tray .....	198
Comfort tray .....	199



**Yes, you can.<sup>®</sup>**

## **TABLE OF CONTENTS**

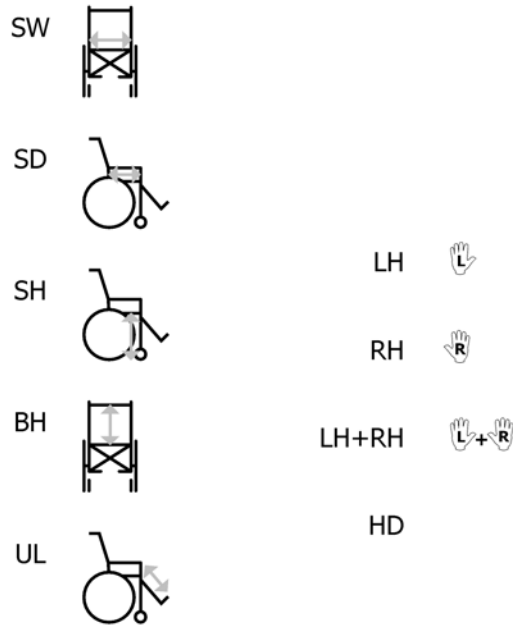
---

Half tray padding .....	200
-------------------------	-----





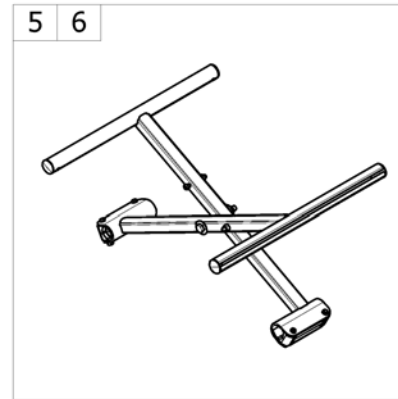
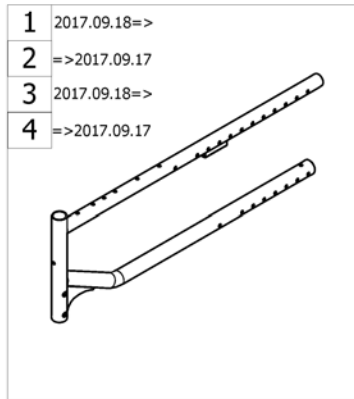
## Abbreviations



15P5133721

Pos.	Part number	Description	Valid from → until	Qty
-	SW	Seat width (2 digits in cm) (3 digits in mm)		1
-	SD	Seat depth (2 digits in cm) (3 digits in mm)		1
-	SH	Seat height (2 digits in cm) (3 digits in mm)		1
-	BH	Backrest height (2 digits in cm) (3 digits in mm)		1
-	UL	Knee-to-heel height (2 digits in cm) (3 digits in mm)		1
-	LH	Left side (sitting in the wheelchair)		1
-	RH	Right side (sitting in the wheelchair)		1
-	LH+RH	An assembly of a left and a right part, referred to as "pair"		1
-	HD	Heavy duty version		1

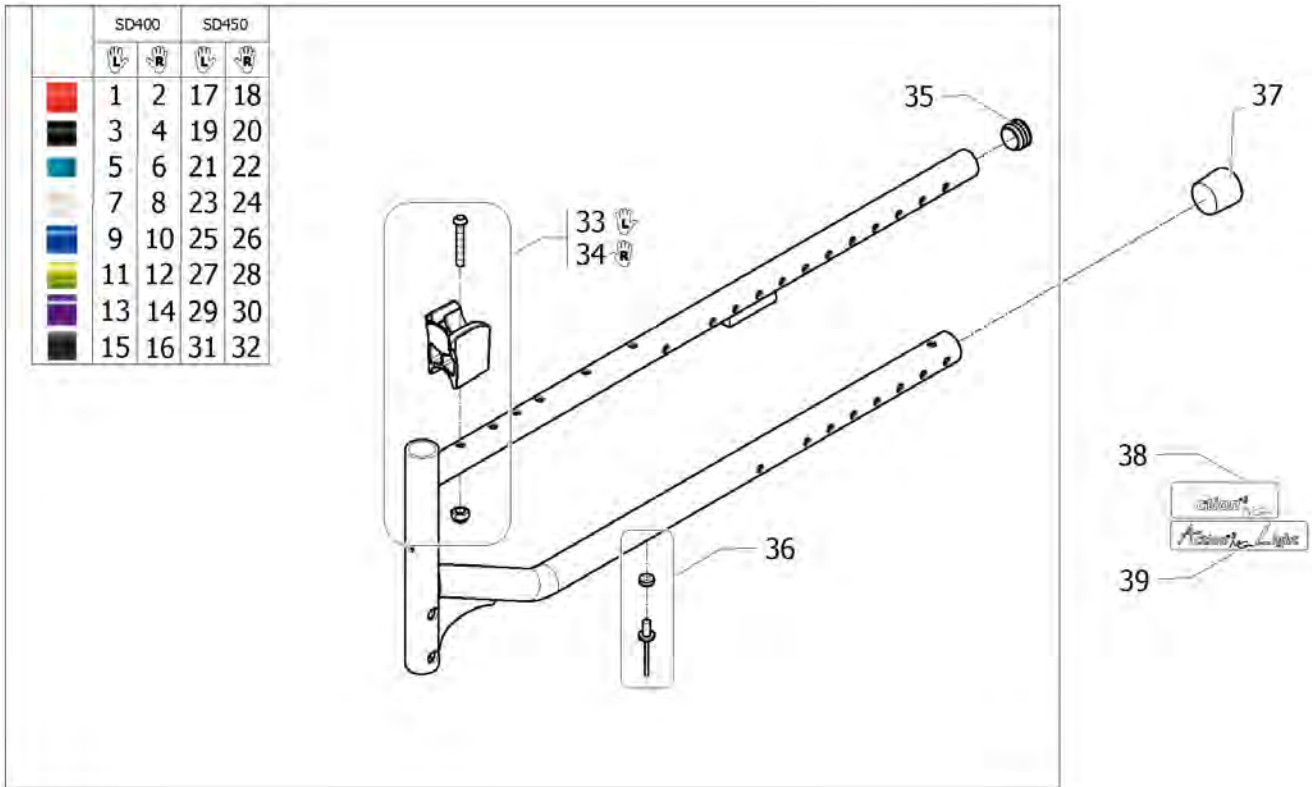
# Chassis



-<SPACTION3NG10

Pos.	Part number	Description	Valid from → until	Qty
1	-	Side Frame 2017.09.18 =>	2017-09-18 →	1
2	-	Side Frame => 2017.09.17		1
3	-	Side Frame Action XT 2017.09.18 =>	2017-09-18 →	1
4	-	Side Frame Action XT => 2017.09.17		1
5	-	Folding System		1
6	-	Folding System Action XT		1
7	-	Size Stickers		1

## Side Frame 2017.09.18 =>

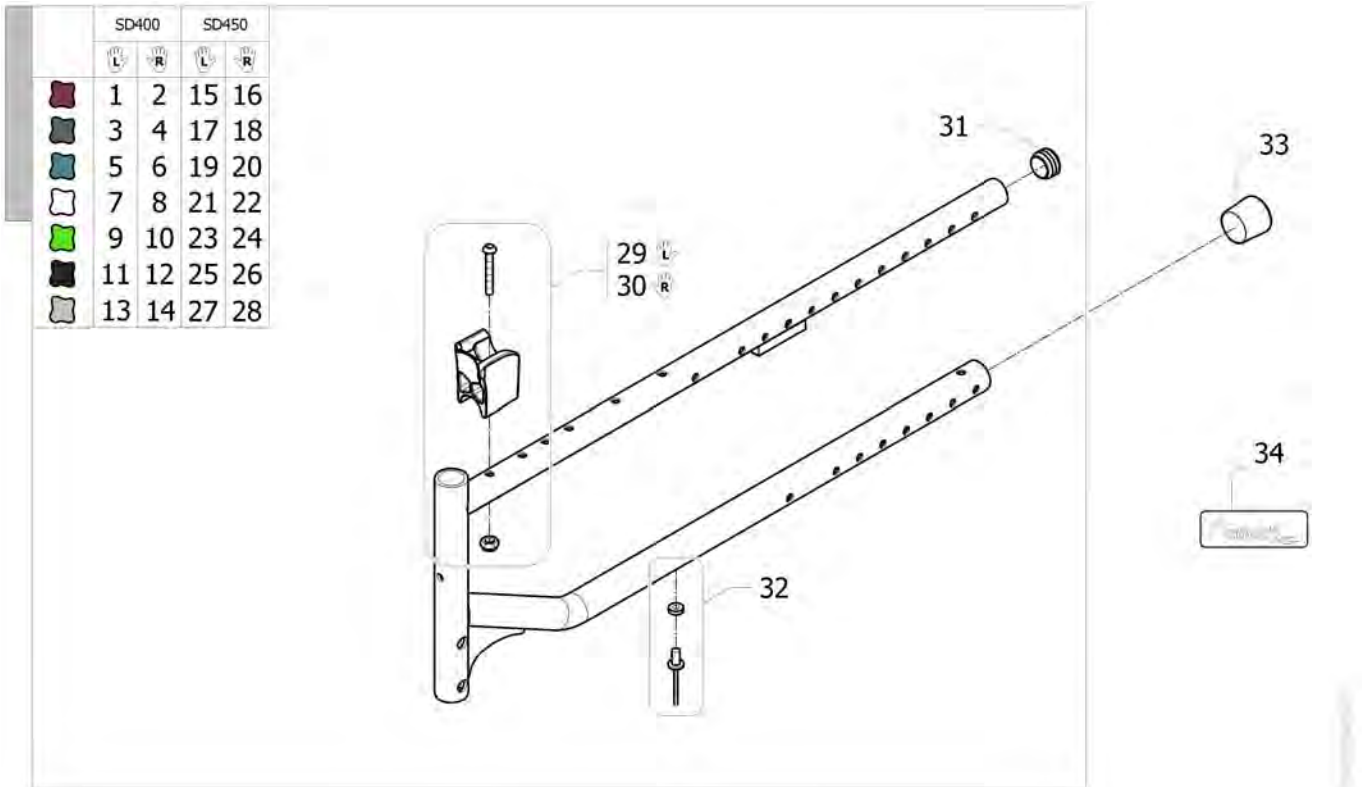


Pos.	Part number	Description	Valid from → until	Qty
1	SP1605846-0456	Side Frame Lh SD400 mm Matt Red	2017-09-18 →	1
2	SP1605845-0456	Side Frame Rh SD400 mm Matt Red	2017-09-18 →	1
3	SP1605846-0609	Side Frame Lh SD400 mm Anthracite Action		1
4	SP1605845-0609	Side Frame Rh SD400 mm Anthracite Action		1
5	SP1605846-0615	Side Frame Lh SD400 mm Slate Grey Action		1
6	SP1605845-0615	Side Frame Rh SD400 mm Slate Grey Action		1
7	SP1605846-0637	Side Frame Lh SD400 mm Pearl White Action		1
8	SP1605845-0637	Side Frame Rh SD400 mm Pearl White Action		1
9	SP1605846-0643	Side Frame Lh SD400 mm Pop Blue	2017-09-18 →	1
10	SP1605845-0643	Side Frame Rh SD400 mm Pop Blue	2017-09-18 →	1
11	SP1605846-0644	Side Frame Lh SD400 mm Electric Green		1
12	SP1605845-0644	Side Frame Rh SD400 mm Electric Green		1
13	SP1605846-0645	Side Frame Lh SD400 mm Hypnotic Purple	2017-09-18 →	1
14	SP1605845-0645	Side Frame Rh SD400 mm Hypnotic Purple	2017-09-18 →	1
15	SP1605846-0646	Side Frame Lh SD400 mm Matt Black	2017-09-18 →	1
16	SP1605845-0646	Side Frame Rh SD400 mm Matt Black	2017-09-18 →	1
17	SP1605848-0456	Side Frame Lh SD450 mm Matt Red	2017-09-18 →	1
18	SP1605847-0456	Side Frame Rh SD450 mm Matt Red	2017-09-18 →	1
19	SP1605848-0609	Side Frame Lh SD400 mm Anthracite Action		1
20	SP1605847-0609	Side Frame Rh SD450 mm Anthracite Action		1
21	SP1605848-0615	Side Frame Lh SD450 mm Slate Grey Action		1
22	SP1605847-0615	Side Frame Rh SD450 mm Slate Grey Action		1
23	SP1605848-0637	Side Frame Lh SD450 mm Pearl White Action		1
24	SP1605847-0637	Side Frame Rh SD450 mm Pearl White Action		1
25	SP1605848-0643	Side Frame Lh SD450 mm Pop Blue	2017-09-18 →	1
26	SP1605847-0643	Side Frame Rh SD450 mm Pop Blue	2017-09-18 →	1
27	SP1605848-0644	Side Frame Lh SD450 mm Electric Green		1
28	SP1605847-0644	Side Frame Rh SD450 mm Electric Green		1
29	SP1605848-0645	Side Frame Lh SD450 mm Hypnotic Purple	2017-09-18 →	1
30	SP1605847-0645	Side Frame Rh SD450 mm Hypnotic Purple	2017-09-18 →	1
31	SP1605848-0646	Side Frame Lh SD450 mm Matt Black	2017-09-18 →	1

**Side Frame 2017.09.18 =>**

Pos.	Part number	Description	Valid from → until	Qty
32	SP1605847-0646	Side Frame Rh SD450 mm Matt Black	2017-09-18 →	1
33	1434128	Kit crossbar support clipable LH		1
34	1434127	Kit crossbar support clipable RH		1
35	1545553	End tube Ø22 reflector red		2
36	1431304	Cross brace rivet & washer kit		2
37	0021N05386	Frame cap black 1		2
38	1549113	Sticker Action3NG		1
39	SP1640958	Product sticker Action 3 NG Light	2017-09-18 →	1

# Side Frame => 2017.09.17

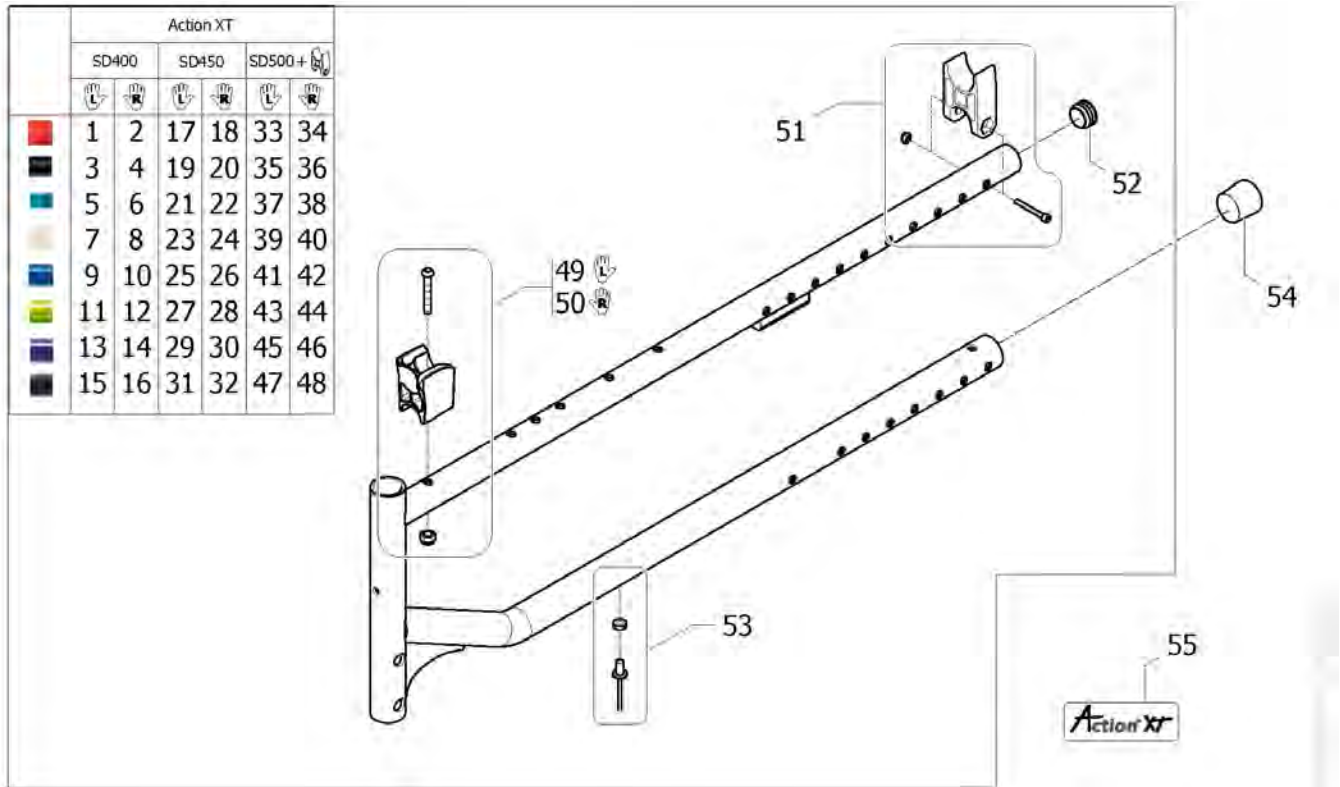


Pos.	Part number	Description	Valid from → until	Qty
1	SP1605846-0607	Side Frame Lh SD400 mm Dark Red Action <i>Replace 1449982-0607</i>		1
2	SP1605845-0607	Side Frame Rh SD400 mm Dark Red Action <i>Replace 1449981-0607</i>		1
3	SP1605846-0615	Side Frame Lh SD400 mm Slate Grey Action <i>Replace 1449982-0615</i>		1
4	SP1605845-0615	Side Frame Rh SD400 mm Slate Grey Action <i>Replace 1449981-0615</i>		1
5	SP1605846-0617	Side Frame Lh SD400 mm Ocean Blue Action <i>Replace 1449982-0617</i>		1
6	SP1605845-0617	Side Frame Rh SD400 mm Ocean Blue Action <i>Replace 1449981-0617</i>		1
7	SP1605846-0637	Side Frame Lh SD400 mm Pearl White Action <i>Replace 1449982-0637</i>		1
8	SP1605845-0637	Side Frame Rh SD400 mm Pearl White Action <i>Replace 1449981-0637</i>		1
9	SP1605846-0644	Side Frame Lh SD400 mm Electric Green <i>Replace SP1449982-0644</i>		1
10	SP1605845-0644	Side Frame Rh SD400 mm Electric Green <i>Replace SP1449981-0644</i>		1
11	SP1605846-0609	Side Frame Lh SD400 mm Anthracite Action <i>Replace 1449982-0609</i>		1
12	SP1605845-0609	Side Frame Rh SD400 mm Anthracite Action <i>Replace 1449981-0609</i>		1
13	SP1605846-0515	Side Frame Lh SD400 mm Pearl Grey Action		1
14	SP1605845-0515	Side Frame Rh SD400 mm Pearl Grey Action		1
15	SP1605848-0607	Side Frame Lh SD450 mm Dark Red Action <i>Replace 1449984-0607</i>		1
16	SP1605847-0607	Side Frame Rh SD450 mm Dark Red Action <i>Replace 1449983-0607</i>		1
17	SP1605848-0615	Side Frame Lh SD450 mm Slate Grey Action <i>Replace 1449984-0615</i>		1
18	SP1605847-0615	Side Frame Rh SD450 mm Slate Grey Action <i>Replace 1449983-0615</i>		1
19	SP1605848-0617	Side Frame Lh SD450 mm Ocean Blue Action <i>Replace 1449984-0617</i>		1

**Side Frame => 2017.09.17**

Pos.	Part number	Description	Valid from → until	Qty
20	SP1605847-0617	Side Frame Rh SD450 mm Ocean Blue Action <i>Replace 1449983-0617</i>		1
21	SP1605848-0637	Side Frame Lh SD450 mm Pearl White Action <i>Replace 1449984-0637</i>		1
22	SP1605847-0637	Side Frame Rh SD450 mm Pearl White Action <i>Replace 1449983-0637</i>		1
23	SP1605848-0644	Side Frame Lh SD450 mm Electric Green <i>Replace SP1449984-0644</i>		1
24	SP1605847-0644	Side Frame Rh SD450 mm Electric Green <i>Replace SP1449983-0644</i>		1
25	SP1605848-0609	Side Frame Lh SD400 mm Anthracite Action <i>Replace 1449984-0609</i>		1
26	SP1605847-0609	Side Frame Rh SD450 mm Anthracite Action <i>Replace 1449983-0609</i>		1
27	SP1605848-0515	Side Frame Lh SD450 mm Pearl Grey Action		1
28	SP1605847-0515	Side Frame Rh SD450 mm Pearl Grey Action		1
29	1434128	Kit crossbar support clipable LH		1
30	1434127	Kit crossbar support clipable RH		1
31	1545553	End tube Ø22 reflector red <i>Replace 1418112</i>		2
32	1431304	Cross brace rivet & washer kit		1
33	0021N05386	Frame cap black 1		1
34	1549113	Sticker Action3NG <i>Replace 1533157</i>		2

## Side Frame Action XT 2017.09.18 =>



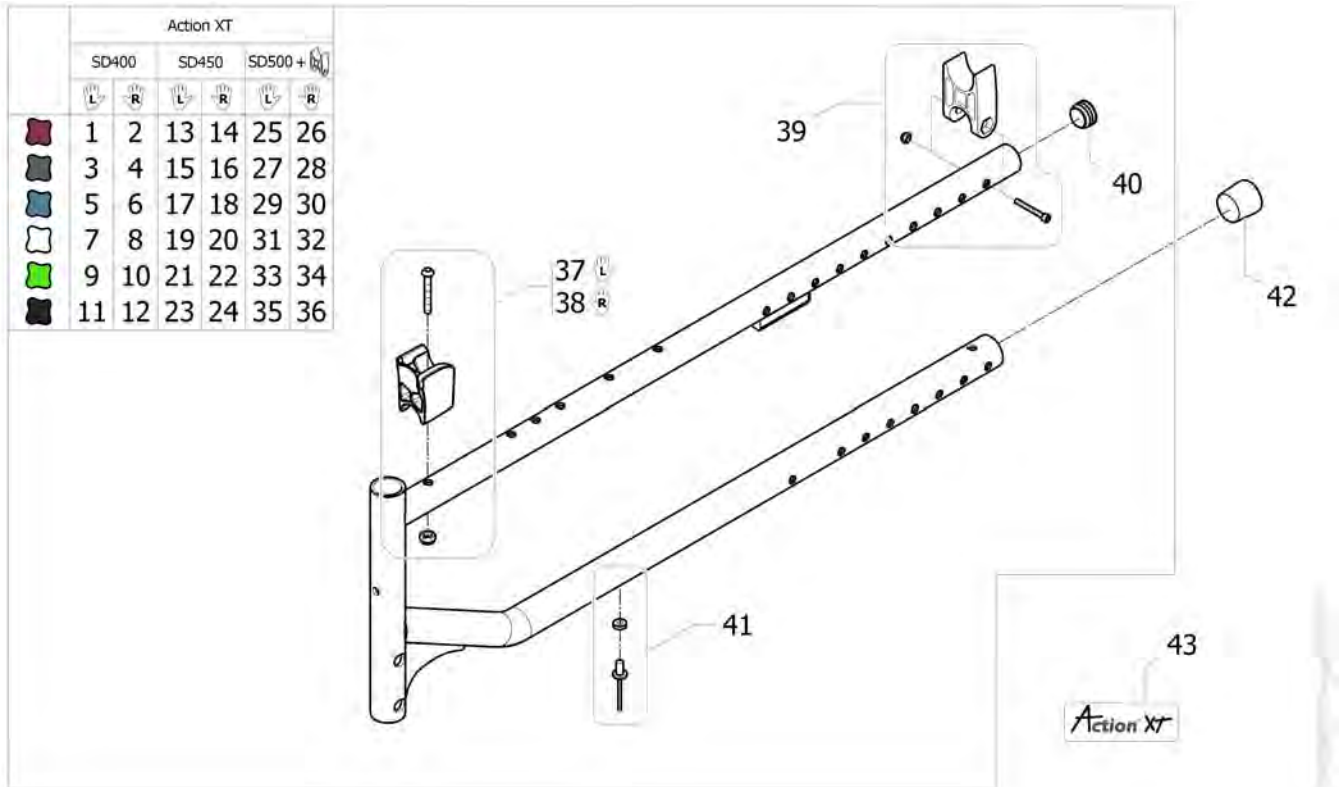
Pos.	Part number	Description	Valid from → until	Qty
1	SP1605846-0456	Side Frame Lh SD400 mm Matt Red	2017-09-18 →	1
2	SP1605845-0456	Side Frame Rh SD400 mm Matt Red	2017-09-18 →	1
3	SP1605846-0609	Side Frame Lh SD400 mm Anthracite Action		1
4	SP1605845-0609	Side Frame Rh SD400 mm Anthracite Action		1
5	SP1605846-0615	Side Frame Lh SD400 mm Slate Grey Action		1
6	SP1605845-0615	Side Frame Rh SD400 mm Slate Grey Action		1
7	SP1605846-0637	Side Frame Lh SD400 mm Pearl White Action		1
8	SP1605845-0637	Side Frame Rh SD400 mm Pearl White Action		1
9	SP1605846-0643	Side Frame Lh SD400 mm Pop Blue	2017-09-18 →	1
10	SP1605845-0643	Side Frame Rh SD400 mm Pop Blue	2017-09-18 →	1
11	SP1605846-0644	Side Frame Lh SD400 mm Electric Green		1
12	SP1605845-0644	Side Frame Rh SD400 mm Electric Green		1
13	SP1605846-0645	Side Frame Lh SD400 mm Hypnotic Purple	2017-09-18 →	1
14	SP1605845-0645	Side Frame Rh SD400 mm Hypnotic Purple	2017-09-18 →	1
15	SP1605846-0646	Side Frame Lh SD400 mm Matt Black	2017-09-18 →	1
16	SP1605845-0646	Side Frame Rh SD400 mm Matt Black	2017-09-18 →	1
17	SP1605848-0456	Side Frame Lh SD450 mm Matt Red	2017-09-18 →	1
18	SP1605847-0456	Side Frame Rh SD450 mm Matt Red	2017-09-18 →	1
19	SP1605848-0609	Side Frame Lh SD400 mm Anthracite Action		1
20	SP1605847-0609	Side Frame Rh SD450 mm Anthracite Action		1
21	SP1605848-0615	Side Frame Lh SD450 mm Slate Grey Action		1
22	SP1605847-0615	Side Frame Rh SD450 mm Slate Grey Action		1
23	SP1605848-0637	Side Frame Lh SD450 mm Pearl White Action		1
24	SP1605847-0637	Side Frame Rh SD450 mm Pearl White Action		1
25	SP1605848-0643	Side Frame Lh SD450 mm Pop Blue	2017-09-18 →	1
26	SP1605847-0643	Side Frame Rh SD450 mm Pop Blue	2017-09-18 →	1
27	SP1605848-0644	Side Frame Lh SD450 mm Electric Green		1
28	SP1605847-0644	Side Frame Rh SD450 mm Electric Green		1
29	SP1605848-0645	Side Frame Lh SD450 mm Hypnotic Purple	2017-09-18 →	1
30	SP1605847-0645	Side Frame Rh SD450 mm Hypnotic Purple	2017-09-18 →	1
31	SP1605848-0646	Side Frame Lh SD450 mm Matt Black	2017-09-18 →	1

**Side Frame Action XT 2017.09.18 =>**

Pos.	Part number	Description	Valid from → until	Qty
32	SP1605847-0646	Side Frame Rh SD450 mm Matt Black	2017-09-18 →	1
33	SP1605850-0456	Side Frame Lh SD500 mm Matt Red	2017-09-18 →	1
34	SP1605849-0456	Side Frame Rh SD500 mm Matt Red	2017-09-18 →	1
35	SP1605850-0609	Side Frame Lh SD500 mm Anthracite Action XT		1
36	SP1605849-0609	Side Frame Rh SD500 mm Anthracite Action XT		1
37	SP1605850-0615	Side Frame Lh SD500 mm Slate Grey Action XT		1
38	SP1605849-0615	Side Frame Rh SD500 mm Slate Grey Action XT		1
39	SP1605850-0637	Side Frame Lh SD500 mm Pearl White Action XT		1
40	SP1605849-0637	Side Frame Rh SD500 mm Pearl White Action XT		1
41	SP1605850-0643	Side Frame Lh SD500 mm Pop Blue	2017-09-18 →	1
42	SP1605849-0643	Side Frame Rh SD500 mm Pop Blue	2017-09-18 →	1
43	SP1605850-0644	Side Frame Lh SD500 mm Electric Green		1
44	SP1605849-0644	Side Frame Rh SD500 mm Electric Green Action XT		1
45	SP1605850-0645	Side Frame Lh SD500 mm Hypnotic Purple	2017-09-18 →	1
46	SP1605849-0645	Side Frame Rh SD500 mm Hypnotic Purple	2017-09-18 →	1
47	SP1605850-0646	Side Frame Lh SD500 mm Matt Black	2017-09-18 →	1
48	SP1605849-0646	Side Frame Rh SD500 mm Matt Black	2017-09-18 →	1
49	1434128	Kit crossbar support clipable LH	2017-09-18 →	1
50	1434127	Kit crossbar support clipable RH	2017-09-18 →	1
51	SP1605851	Kit crossbar support in H Action XT		2
52	1545553	End tube Ø22 reflector red	2017-09-18 →	2
53	1431304	Cross brace rivet & washer kit	2017-09-18 →	2
54	0021N05386	Frame cap black 1	2017-09-18 →	2
55	SP1603803	Sticker Action XT	2017-09-18 →	1



## Side Frame Action XT => 2017.09.17

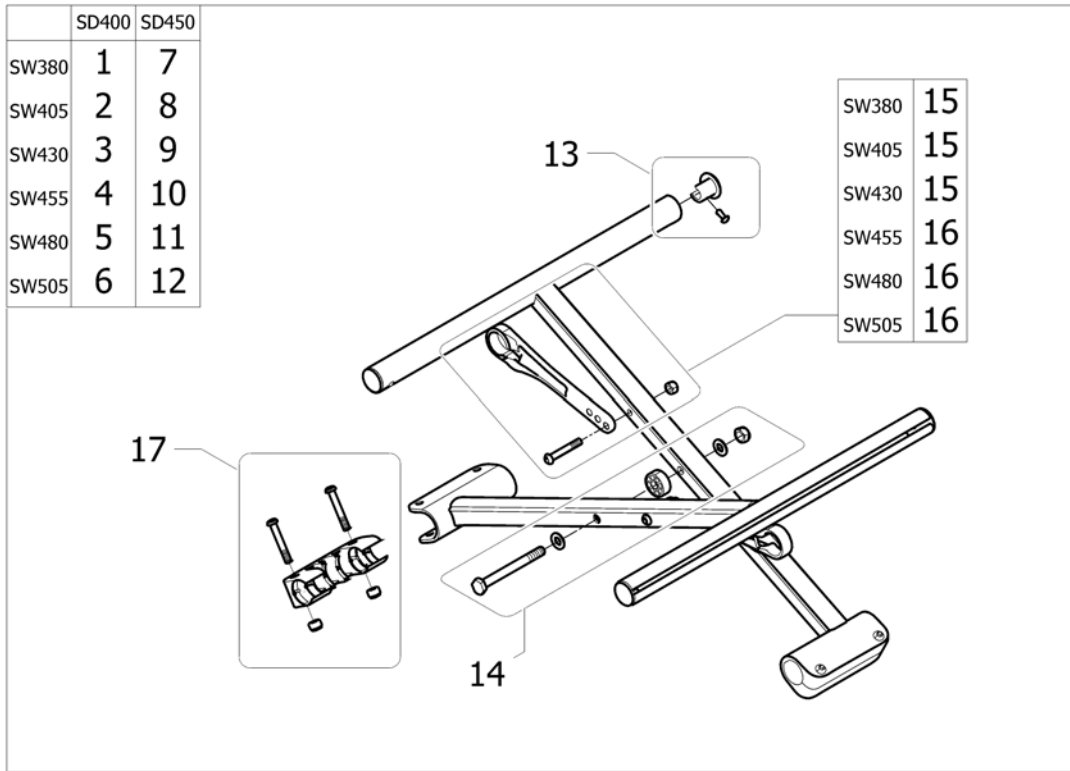


Pos.	Part number	Description	Valid from → until	Qty
1	SP1605846-0607	Side Frame Lh SD400 mm Dark Red Action		1
2	SP1605845-0607	Side Frame Rh SD400 mm Dark Red Action		1
3	SP1605846-0615	Side Frame Lh SD400 mm Slate Grey Action		1
4	SP1605845-0615	Side Frame Rh SD400 mm Slate Grey Action		1
5	SP1605846-0617	Side Frame Lh SD400 mm Ocean Blue Action		1
6	SP1605845-0617	Side Frame Rh SD400 mm Ocean Blue Action		1
7	SP1605846-0637	Side Frame Lh SD400 mm Pearl White Action		1
8	SP1605845-0637	Side Frame Rh SD400 mm Pearl White Action		1
9	SP1605846-0644	Side Frame Lh SD400 mm Electric Green		1
10	SP1605845-0644	Side Frame Rh SD400 mm Electric Green		1
11	SP1605846-0609	Side Frame Lh SD400 mm Anthracite Action		1
12	SP1605845-0609	Side Frame Rh SD400 mm Anthracite Action		1
13	SP1605848-0607	Side Frame Lh SD450 mm Dark Red Action		1
14	SP1605847-0607	Side Frame Rh SD450 mm Dark Red Action		1
15	SP1605848-0615	Side Frame Lh SD450 mm Slate Grey Action		1
16	SP1605847-0615	Side Frame Rh SD450 mm Slate Grey Action		1
17	SP1605848-0617	Side Frame Lh SD450 mm Ocean Blue Action		1
18	SP1605847-0617	Side Frame Rh SD450 mm Ocean Blue Action		1
19	SP1605848-0637	Side Frame Lh SD450 mm Pearl White Action		1
20	SP1605847-0637	Side Frame Rh SD450 mm Pearl White Action		1
21	SP1605848-0644	Side Frame Lh SD450 mm Electric Green		1
22	SP1605847-0644	Side Frame Rh SD450 mm Electric Green		1
23	SP1605848-0609	Side Frame Lh SD400 mm Anthracite Action		1
24	SP1605847-0609	Side Frame Rh SD450 mm Anthracite Action		1
25	SP1605850-0607	Side Frame Lh SD500 mm Dark Red Action XT		1
26	SP1605849-0607	Side Frame Rh SD500 mm Dark Red Action XT		1
27	SP1605850-0615	Side Frame Lh SD500 mm Slate Grey Action XT		1
28	SP1605849-0615	Side Frame Rh SD500 mm Slate Grey Action XT		1
29	SP1605850-0617	Side Frame Lh SD500 mm Slate Ocean Blue Action XT		1
30	SP1605849-0617	Side Frame Rh SD500 mm Slate Ocean Blue Action XT		1
31	SP1605850-0637	Side Frame Lh SD500 mm Pearl White Action XT		1

**Side Frame Action XT => 2017.09.17**

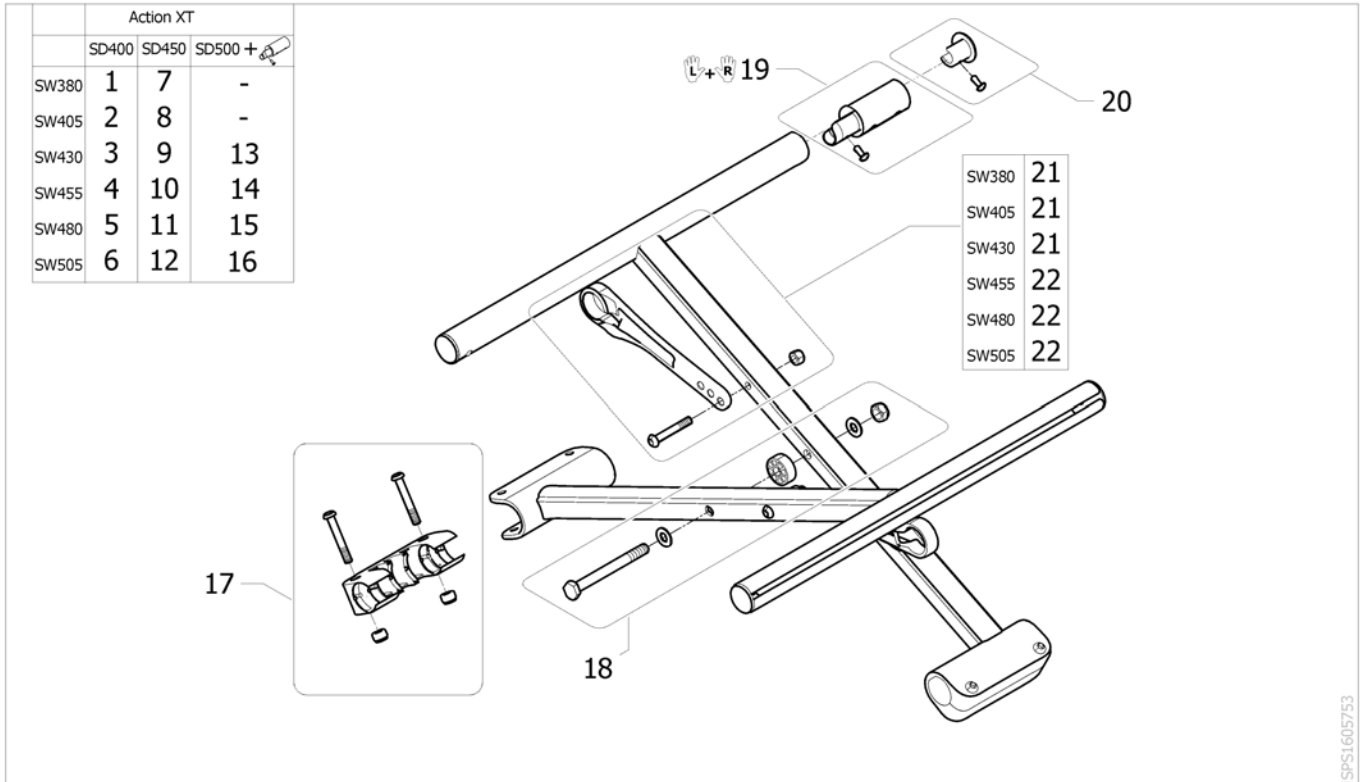
Pos.	Part number	Description	Valid from → until	Qty
32	SP1605849-0637	Side Frame Rh SD500 mm Pearl White Action XT		1
33	SP1605850-0644	Side Frame Lh SD500 mm Electric Green		1
34	SP1605849-0644	Side Frame Rh SD500 mm Electric Green Action XT		1
35	SP1605850-0609	Side Frame Lh SD500 mm Anthracite Action XT		1
36	SP1605849-0609	Side Frame Rh SD500 mm Anthracite Action XT		1
37	1434128	Kit crossbar support clipable LH		1
38	1434127	Kit crossbar support clipable RH		1
39	SP1605851	Kit crossbar support in H Action XT		2
40	1545553	End tube Ø22 reflector red		2
41	1431304	Cross brace rivet & washer kit		2
42	0021N05386	Frame cap black 1		2
43	SP1603803	Sticker Action XT		1

## Folding System



Pos.	Part number	Description	Valid from → until	Qty
1	1530223	Cross Brace Complete Mechanism SW380 x SD400 mm		1
2	1530224	Cross Brace Complete Mechanism SW405 x SD400 mm		1
3	1530225	Cross Brace Complete Mechanism SW430 x SD400 mm		1
4	1530226	Cross Brace Complete Mechanism SW455 x SD400 mm		1
5	1530227	Cross Brace Complete Mechanism SW480 x SD400 mm		1
6	1530228	Cross Brace Complete Mechanism SW505 x SD400 mm		1
7	1530607	Cross Brace Complete Mechanism SW380 x SD450 mm		1
8	1530608	Cross Brace Complete Mechanism SW405 x SD450 mm		1
9	1530609	Cross Brace Complete Mechanism SW430 x SD450 mm		1
10	1530610	Cross Brace Complete Mechanism SW455 x SD450 mm		1
11	1530611	Cross Brace Complete Mechanism SW480 x SD450 mm		1
12	1530612	Cross Brace Complete Mechanism SW505 x SD450 mm		1
13	1431307	Seat end cap kit		2
14	1532556	Cross brace axle kit		1
15	1431306	Cross brace strut SW380-430 mm		2
16	1430872	Cross brace strut SW455-505 mm		2
17	1431305	Crossbrace sleeve		2

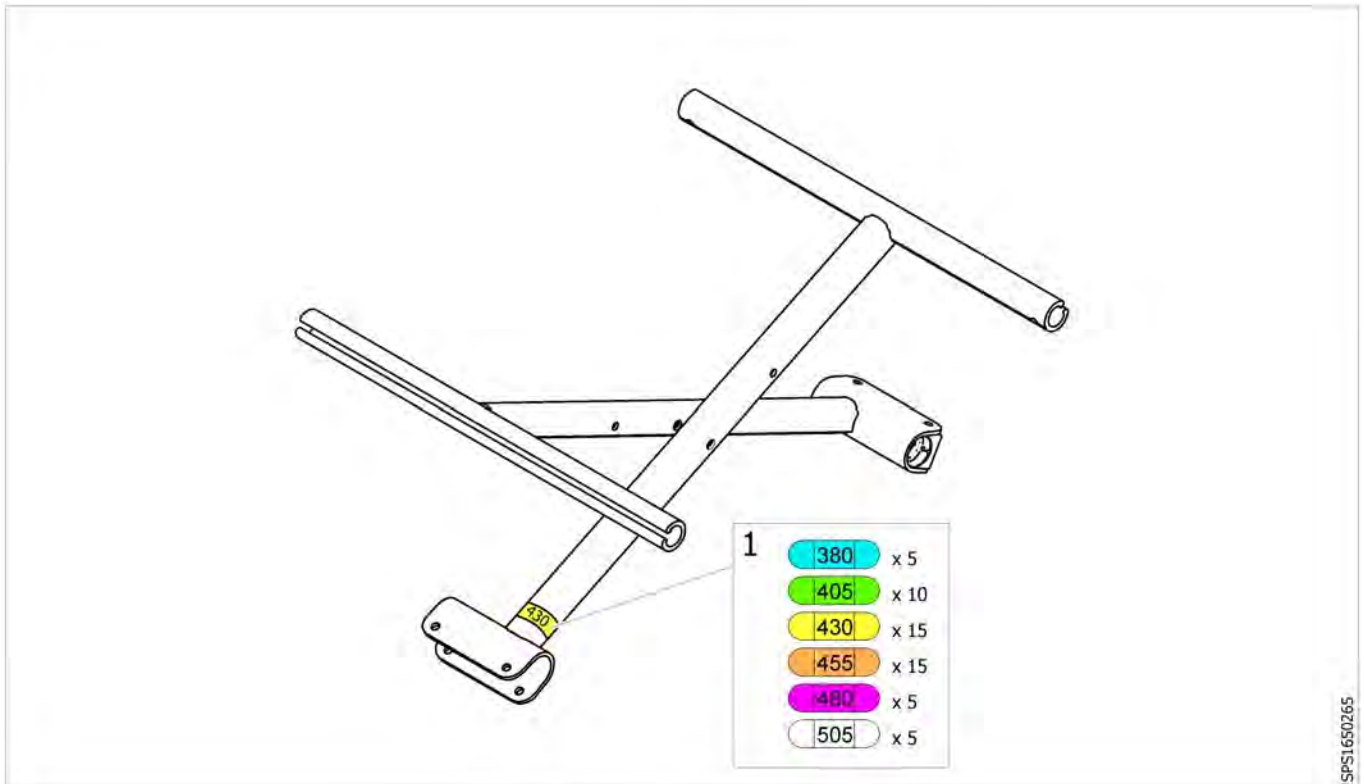
# Folding System Action XT



SPS1605753

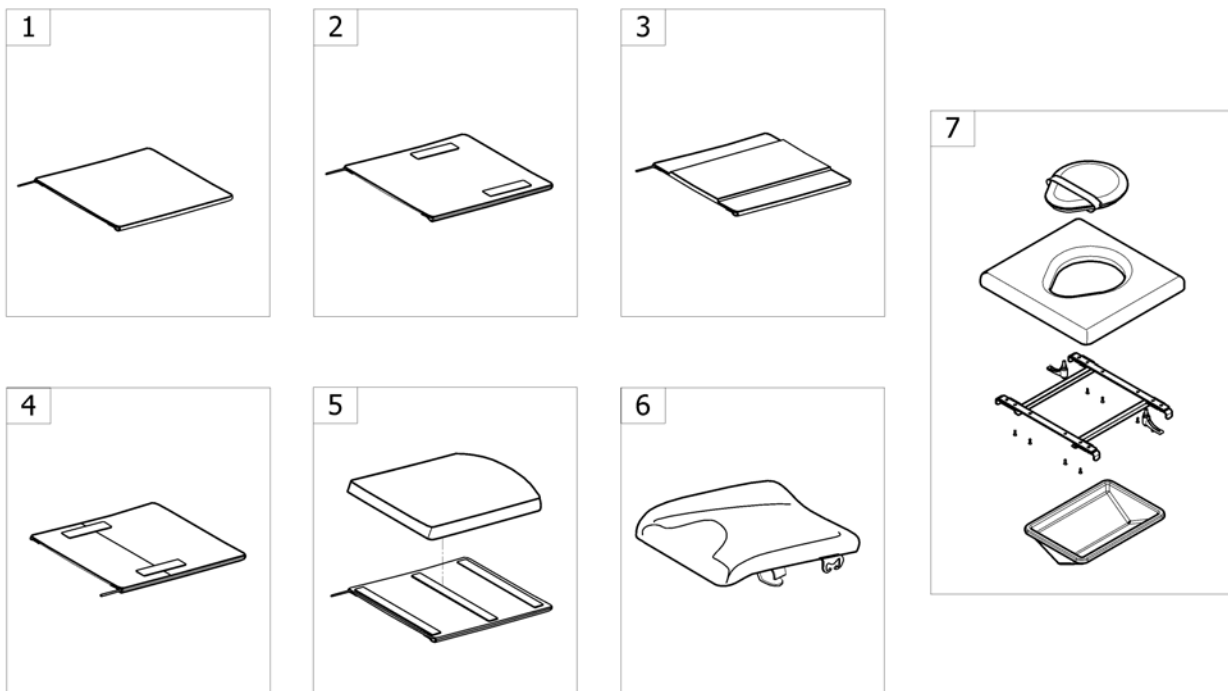
Pos.	Part number	Description	Valid from → until	Qty
1	1530223	Cross Brace Complete Mechanism SW380 x SD400 mm		1
2	1530224	Cross Brace Complete Mechanism SW405 x SD400 mm		1
3	1530225	Cross Brace Complete Mechanism SW430 x SD400 mm		1
4	1530226	Cross Brace Complete Mechanism SW455 x SD400 mm		1
5	1530227	Cross Brace Complete Mechanism SW480 x SD400 mm		1
6	1530228	Cross Brace Complete Mechanism SW505 x SD400 mm		1
7	1530607	Cross Brace Complete Mechanism SW380 x SD450 mm		1
8	1530608	Cross Brace Complete Mechanism SW405 x SD450 mm		1
9	1530609	Cross Brace Complete Mechanism SW430 x SD450 mm		1
10	1530610	Cross Brace Complete Mechanism SW455 x SD450 mm		1
11	1530611	Cross Brace Complete Mechanism SW480 x SD450 mm		1
12	1530612	Cross Brace Complete Mechanism SW505 x SD450 mm		1
13	SP1605864	Cross Brace Complete Mechanism SW430 x SD500 mm Action XT		1
14	SP1605865	Cross Brace Complete Mechanism SW455 x SD500 mm Action XT		1
15	SP1605866	Cross Brace Complete Mechanism SW480 x SD500 mm Action XT		1
16	SP1605867	Cross Brace Complete Mechanism SW505 x SD500 mm Action XT		1
17	1431305	Crossbrace sleeve		2
18	1532556	Cross brace axle kit		1
19	1510022	Kit crossbar extensions 5cm (x2)		1
20	1431307	Seat end cap kit		4
21	1431306	Cross brace strut SW380-430 mm		2
22	1430872	Cross brace strut SW455-505 mm		2

## Size Stickers



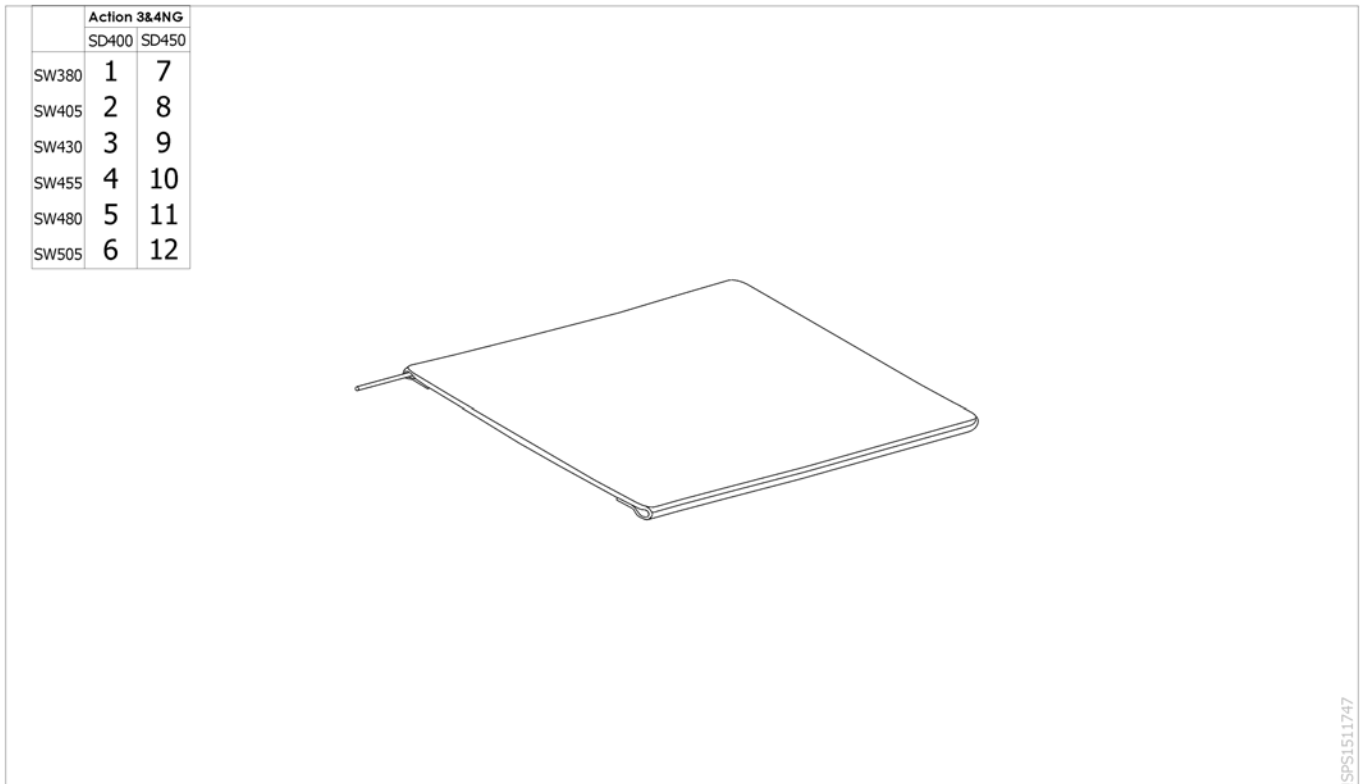
Pos.	Part number	Description	Valid from → until	Qty
1	SP1650176	Kit Size Stickers Action		1

# Seat



-<SPOACTION3NG20

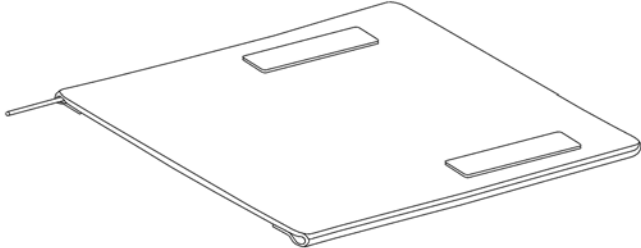
Pos.	Part number	Description	Valid from → until	Qty
1	-	Seat Upholstery Eco <i>[CE_0330]</i>		1
2	-	Seat Upholstery Standard <i>[CE_0340+CE_0240][CE_0340+CE_250][CE_0340+CE_0251]</i>		1
3	-	Padded Seats Upholsteries <i>[CE_0350]</i>		1
4	-	Adjustable Depth Seat Upholstery <i>[CE_0340+CE_0252]</i>		1
5	-	Seat upholsteries cushions comfort Mistral <i>[CE_0372]</i>		1
6	-	Anatomic Seat Ajustable <i>[CE_0361]</i>		1
7	-	Toilet seat <i>[CE_0351]</i>		1



Pos.	Part number	Description	Valid from → until	Qty
1	1428840	Basic Seat Upholstery SW380 x SD400 mm		1
2	1428841	Basic Seat Upholstery SW405 x SD400 mm		1
3	1428842	Basic Seat Upholstery SW430 x SD400 mm		1
4	1428843	Basic Seat Upholstery SW455 x SD400 mm		1
5	1428844	Basic Seat Upholstery SW480 x SD400 mm		1
6	1428845	Basic Seat Upholstery SW505 x SD400 mm		1
7	1428846	Basic Seat Upholstery SW380 x SD450 mm		1
8	1428847	Basic Seat Upholstery SW405 x SD450 mm		1
9	1428848	Basic Seat Upholstery SW430 x SD450 mm		1
10	1428849	Basic Seat Upholstery SW455 x SD450 mm		1
11	1428850	Basic Seat Upholstery SW480 x SD450 mm		1
12	1428851	Basic Seat Upholstery SW505 x SD450 mm		1

# Seat Upholstery Standard

	Action 3NG		Action XT			Action 4NG		
	SD400	SD450	SD400	SD450	SD500	SD400	SD450	SD500
SW380	1	7	1	7	-	1	7	13
SW405	2	8	2	8	-	2	8	14
SW430	3	9	3	9	15	3	9	15
SW455	4	10	4	10	16	4	10	16
SW480	5	11	5	11	17	5	11	17
SW505	6	12	6	12	18	6	12	18
SW555	-	-	-	-	-	-	-	19
SW605	-	-	-	-	-	-	-	20



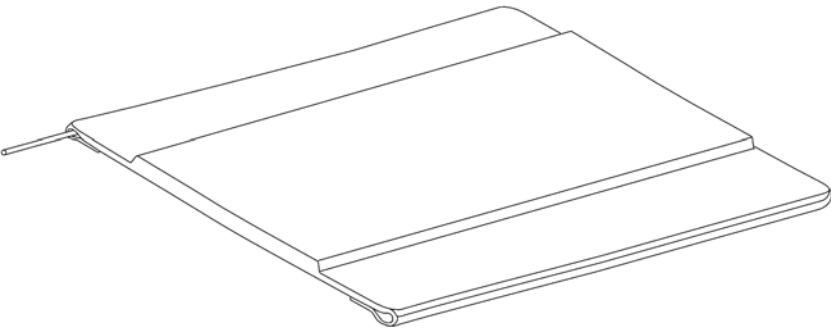
ISPS1605775

Pos.	Part number	Description	Valid from → until	Qty
1	1428852	Standard Seat Upholstery SW380 x SD400 mm		1
2	1428853	Standard Seat Upholstery SW405 x SD400 mm		1
3	1428854	Standard Seat Upholstery SW430 x SD400 mm		1
4	1428855	Standard Seat Upholstery SW455 x SD400 mm		1
5	1428856	Standard Seat Upholstery SW480 x SD400 mm		1
6	1428857	Standard Seat Upholstery SW505 x SD400 mm		1
7	1428858	Standard Seat Upholstery SW380 x SD450 mm		1
8	1428859	Standard Seat Upholstery SW405 x SD450 mm		1
9	1428860	Standard Seat Upholstery SW430 x SD450 mm		1
10	1428861	Standard Seat Upholstery SW455 x SD450 mm		1
11	1428862	Standard Seat Upholstery SW480 x SD450 mm		1
12	1428863	Standard Seat Upholstery SW505 x SD450 mm		1
13	1553738	Standard Seat Upholstery SW380 x SD500 mm		1
14	1553739	Standard Seat Upholstery SW405 x SD500 mm		1
15	1522806	Standard Seat Upholstery SW430 x SD500 mm		1
16	1522822	Standard Seat Upholstery SW455 x SD500 mm		1
17	1522823	Standard Seat Upholstery SW480 x SD500 mm		2
18	1510023	Standard Seat Upholstery SW505 x SD500 mm		1
19	1510024	Standard Seat Upholstery SW555 x SD500 mm		1
20	1510025	Standard Seat Upholstery SW605 x SD500 mm		1



## Padded Seats Upholsteries

	Action 3NG		Action 4NG	
	SD400	SD450	SD400	SD450
SW380	1	8	1	8
SW405	2	9	2	9
SW430	3	10	3	10
SW455	4	11	4	11
SW480	5	12	5	12
SW505	6	13	6	13
SW555	-	-	7	14
SW605	-	-	-	15

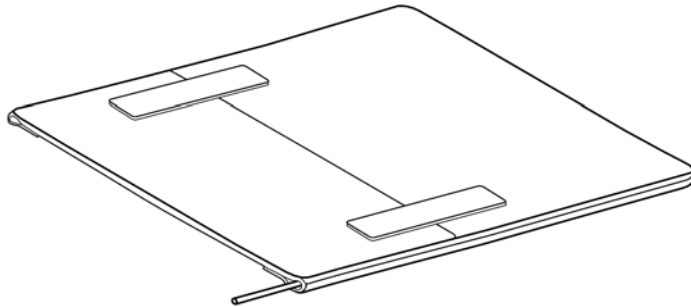


ISPS1496256

Pos.	Part number	Description	Valid from → until	Qty
1	1428864	Padded Seat Upholstery SW380 x SD400 mm		1
2	1428865	Padded Seat Upholstery SW405 x SD400 mm		1
3	1428866	Padded Seat Upholstery SW430 x SD400 mm		1
4	1428867	Padded Seat Upholstery SW455 x SD400 mm		1
5	1428868	Padded Seat Upholstery SW480 x SD400 mm		1
6	1428869	Padded Seat Upholstery SW505 x SD400 mm		1
7	1488394	Reinforced Padded Seat Upholstery SW555 x SD 400 mm		1
8	1428870	Padded Seat Upholstery SW380 x SD450 mm		1
9	1428871	Padded Seat Upholstery SW405 x SD450 mm		1
10	1428872	Padded Seat Upholstery SW430 x SD450 mm		1
11	1428873	Padded Seat Upholstery SW455 x SD450 mm		1
12	1428874	Padded Seat Upholstery SW480 x SD450 mm		1
13	1428875	Padded Seat Upholstery SW505 x SD450 mm		1
14	1488396	Reinforced Padded Seat Upholstery SW555 mm x SD450 mm		1
15	1488397	Reinforced Padded Seat Upholstery SW605 mm x SD450 mm		1

## Adjustable Depth Seat Upholstery

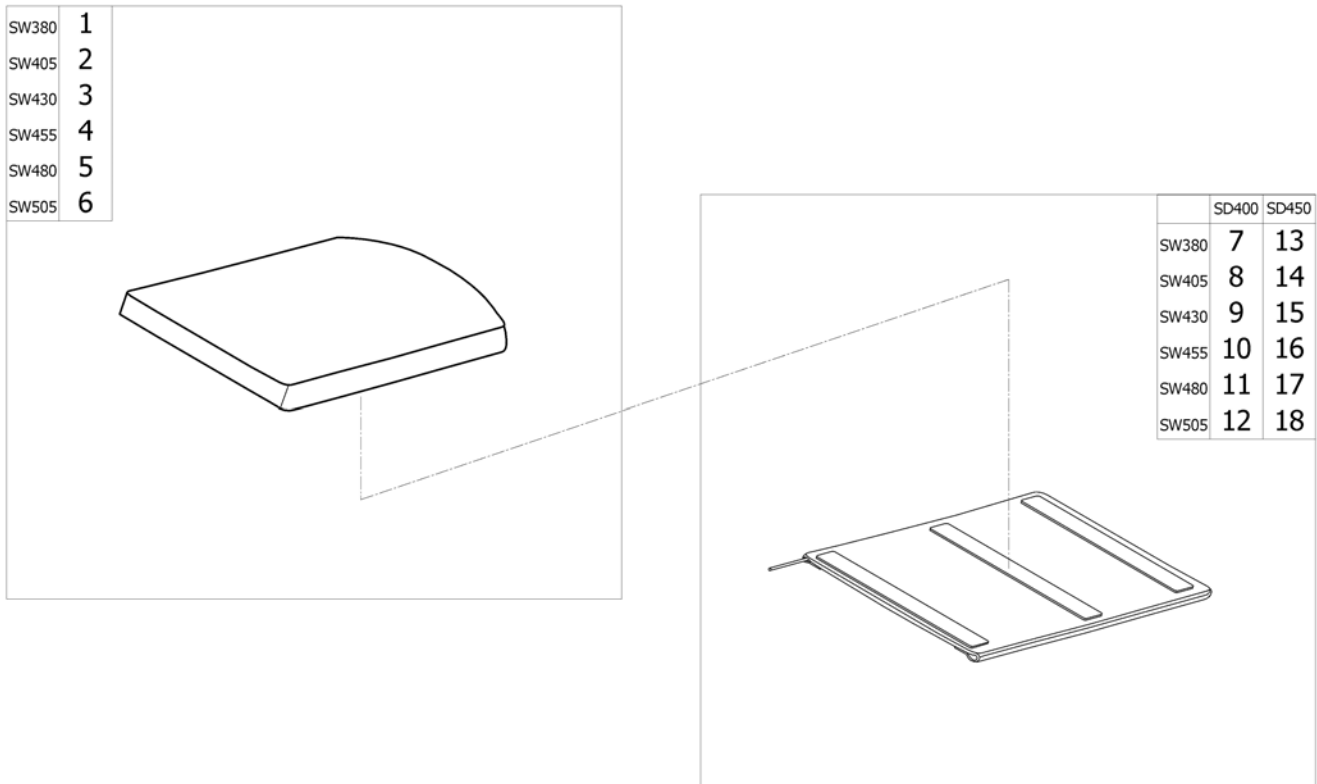
	Action 3NG	Action XT	Action 4NG	
	SD400 to SD450	SD400 to SD450	SD400 to SD450	SD450 to SD500
SW380	1	1	1	-
SW405	2	2	2	-
SW430	3	3	3	9
SW455	4	4	4	10
SW480	5	5	5	11
SW505	6	6	6	12
SW555	-	-	7	13
SW605	-	-	8	14



ISPS:1497377

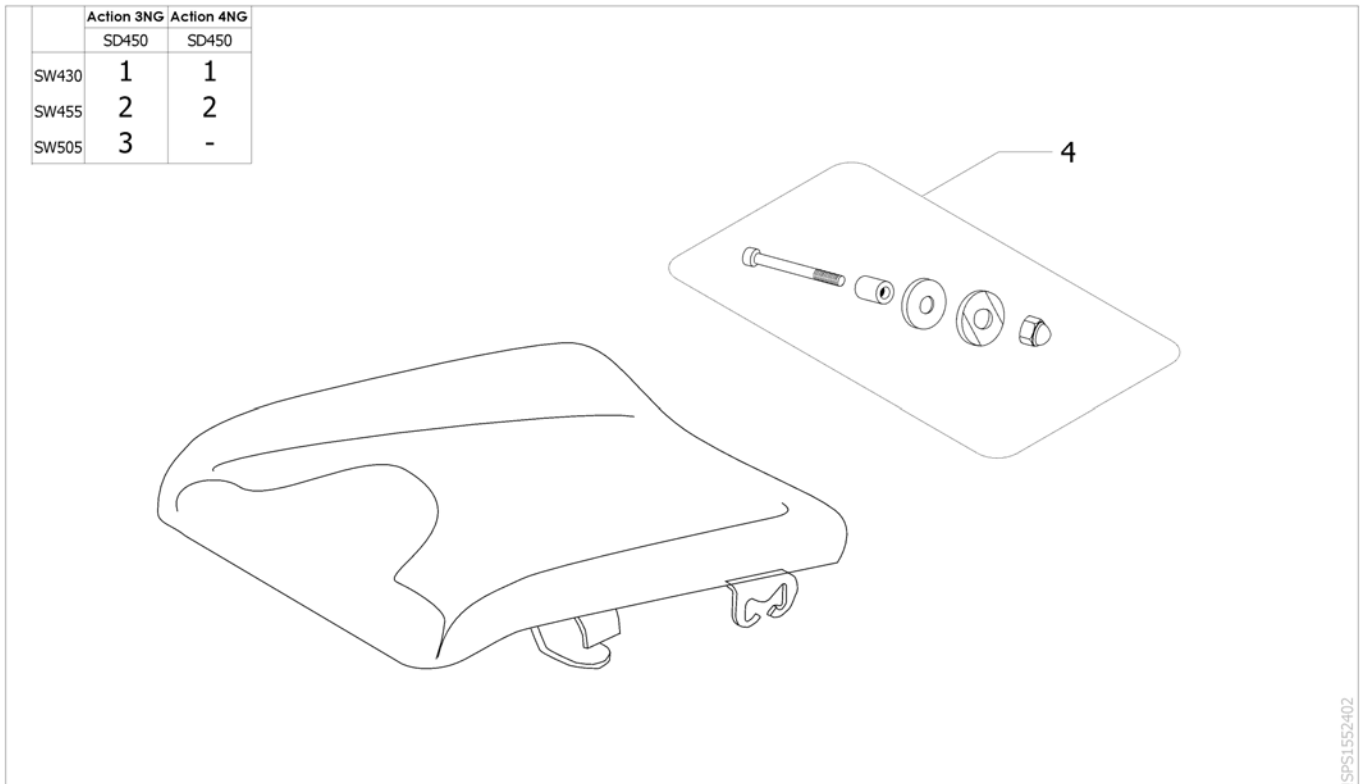
Pos.	Part number	Description	Valid from → until	Qty
1	1437580	Adjustable Depth Seat Upholstery SW380 x SD400 to 450 mm		1
2	1437581	Adjustable Depth Seat Upholstery SW405 x SD400 to 450 mm		1
3	1437582	Adjustable Depth Seat Upholstery SW430 x SD400 to 450 mm		1
4	1437583	Adjustable Depth Seat Upholstery SW455 x SD400 to 450 mm		1
5	1437584	Adjustable Depth Seat Upholstery SW480 x SD400 to 450 mm		1
6	1437585	Adjustable Depth Seat Upholstery SW505 x SD400 to 450 mm		1
7	1496089	Adjustable Depth Seat Upholstery SW555 x SD400 to 450 mm		1
8	1496090	Adjustable Depth Seat Upholstery SW605 x SD400 to 450 mm		1
9	1548717	Adjustable Depth Seat Upholstery SW430 x SD450 to 500 mm		1
10	1548718	Adjustable Depth Seat Upholstery SW455 x SD450 to 500 mm		1
11	1548719	Adjustable Depth Seat Upholstery SW480 x SD450 to 500 mm		1
12	1548720	Adjustable Depth Seat Upholstery SW505 x SD450 to 500 mm		1
13	1548722	Adjustable Depth Seat Upholstery SW555 x SD450 to 500 mm		1
14	1548723	Adjustable Depth Seat Upholstery SW605 x SD450 to 500 mm		1

## Seat upholsteries cushions comfort Mistral



Pos.	Part number	Description	Valid from → until	Qty
1	1450115-TR26	Cushion Mistral 2 layer SW380 x SD450 mm Dartex Black TR26		1
2	1450116-TR26	Cushion Mistral 2 layer SW405 x SD450 mm Dartex Black TR26		1
3	1450117-TR26	Cushion Mistral 2 layer SW430 x SD450 mm Dartex Black TR26		1
4	1450118-TR26	Cushion Mistral 2 layer SW455 x SD450 mm Dartex Black TR26		1
5	1450119-TR26	Cushion Mistral 2 layer SW480 x SD450 mm Dartex Black TR26		1
6	1450120-TR26	Cushion Mistral 2 layer SW505 x SD450 mm Dartex Black TR26		1
7	1450067	Comfort Seat Upholstery SW380 x SD400 mm		1
8	1450068	Comfort Seat Upholstery SW405 x SD400 mm		1
9	1450069	Comfort Seat Upholstery SW430 x SD400 mm		1
10	1450070	Comfort Seat Upholstery SW455 x SD400 mm		1
11	1450071	Comfort Seat Upholstery SW480 x SD400 mm		1
12	1450072	Comfort Seat Upholstery SW505 x SD400 mm		1
13	1450123	Comfort Seat Upholstery SW380 x SD450 mm		1
14	1440918	Comfort Seat Upholstery SW405 x SD450 mm		1
15	1440919	Comfort Seat Upholstery SW430 x SD450 mm		1
16	1440920	Comfort Seat Upholstery SW455 x SD450 mm		1
17	1450124	Comfort Seat Upholstery SW480 x SD450 mm		1
18	1440921	Comfort Seat Upholstery SW505 x SD450 mm		1

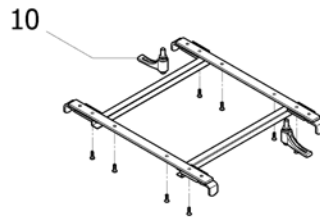
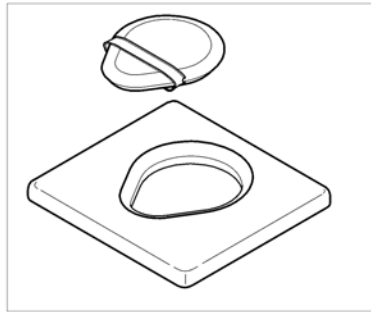
# Anatomic Seat Adjustable



Pos.	Part number	Description	Valid from → until	Qty
1	1485159	Anatomic Seat Adjustable SW430 mm		1
2	1485160	Anatomic Seat Adjustable SW455 mm		1
3	1485161	Anatomic Seat Adjustable SW505 mm		1
4	1485535	Seat Frame Fixation		1

# Toilet seat

	Action 3NG		Action 4NG		Action 1NG	Action 2NG
	SD400	SD450	SD400	SD450	SD400	SD400
SW380	1	4	1	-	-	1
SW405	1	4	1	-	1	1
SW430	2	-	2	-	2	2
SW455	2	-	2	-	2	2
SW480	3	-	3	-	3	3
SW505	3	-	-	-	3	-



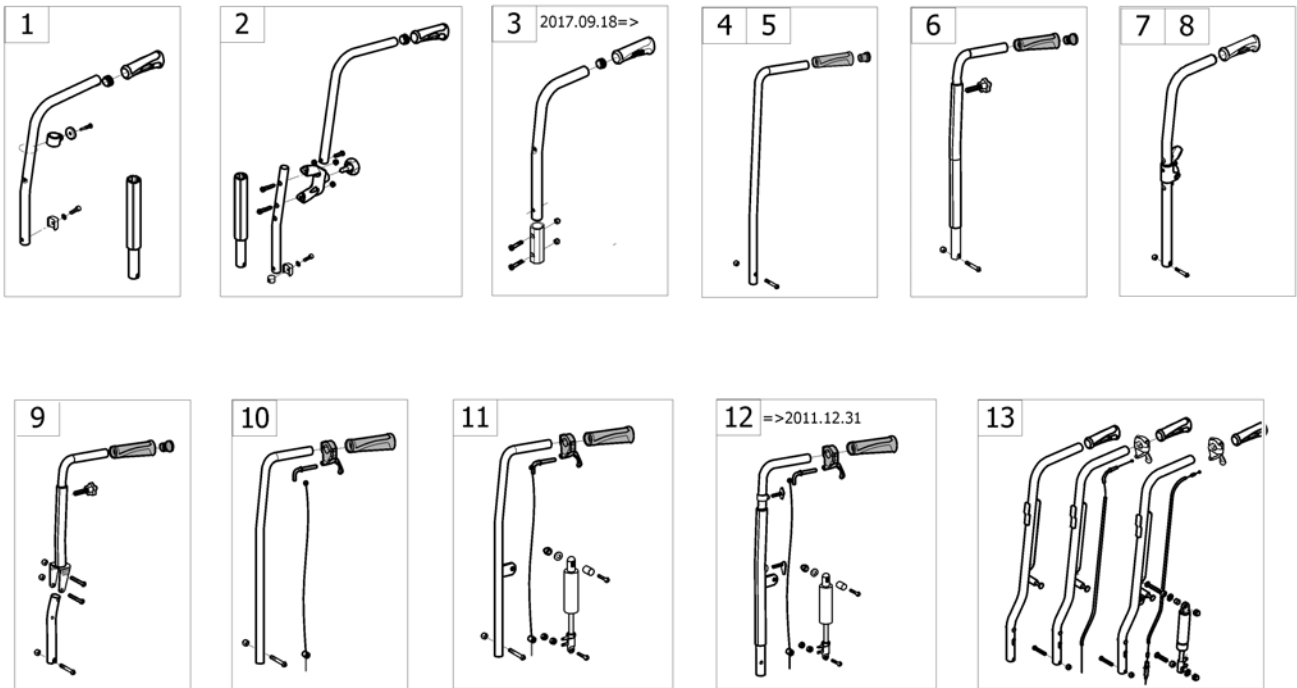
	Action 3NG		Action 4NG		Action 1NG	Action 2NG
	SD400	SD450	SD400	SD450	SD400	SD400
SW380	5	8	5	-	-	5
SW405	5	8	5	-	5	5
SW430	6	-	6	-	6	6
SW455	6	-	6	-	6	6
SW480	7	-	7	-	7	7
SW505	7	-	-	-	7	-

ISPS1548795

Pos.	Part number	Description	Valid from → until	Qty
1	AP1543295	Kit toilet seat Action NG SD400 x SW380-410 mm		1
2	AP1543296	Kit toilet seat Action NG SD400 x SW430-455 mm		1
3	AP1543297	Kit toilet seat Action NG SD400 x SW480-510 mm		1
4	AP1543298	Kit toilet seat Action NG SD450 x SW380-405 mm		1
5	1548372	Kit toilet seat cushions Action NG SD400 SW380-410 mm		1
6	1548373	Kit toilet seat cushions Action NG SD400 SW430-455 mm		1
7	1548374	Kit toilet seat cushions Action NG SD400 SW480-510 mm		1
8	1548375	Kit toilet seat cushions Action NG SD450 SW380-405 mm		1
9	1548378	Toilet seat bowl Action NG SD400 mm		1
10	0021-70002	Indexable lever 63mm M8x16		2

## Backrest

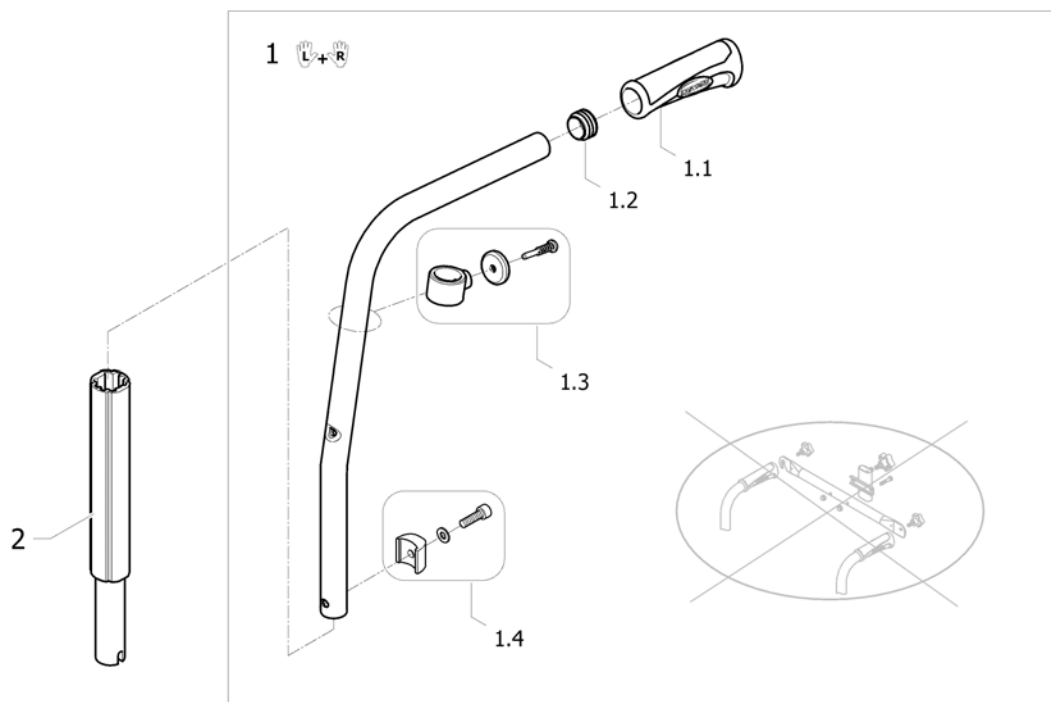
Pos.	Part number	Description	Valid from → until	Qty
1	-	Backrest type A3NG		1
2	-	Backrest Upholsteries A3NG		1



ISPS1574909 - <SFC ACTION3NG

Pos.	Part number	Description	Valid from → until	Qty
1	-	Fixed Backrest 7° Height Push Handle [CE_0395]		1
2	-	Additional Push Handle [CE_0396]		1
3	-	Backrest Angle Adjustable 15°: 2017.09.18 => [CE_0431/CE_0432]	2017-09-18 →	1
4	-	Fixed Backrest [CE_0380/CE_0390/CE_0410/CE_0420]		1
5	-	Fixed Backrest 350 mm Xtra [CE_0428]		1
6	-	Fixed Backrest, Height Adjustable, Push Handle [CE_0425]		1
7	-	Fold down backrest steel [HD+CE_0455]		1
8	-	Fold down backrest steel/alu [CE_0455/CE_0460]		1
9	-	Adjustable Backrest From -6° To +24° =>2016.09.17 [CE_0430]		1
10	-	Recliner Backrest 0° To 30°, Ratchet [CE_0435/CE_0440]		1
11	-	Recliner Backrest 0° To 30°, Gaz Spring [CE_0445/CE_0450]		1
12	-	Recliner Backrest 0° To 30°, Gaz Spring, Adj Handle =>2011-12-31 [CE_0451]		1
13	-	Laguna backrests [CE_0421/CE_0441/CE_0442]		1

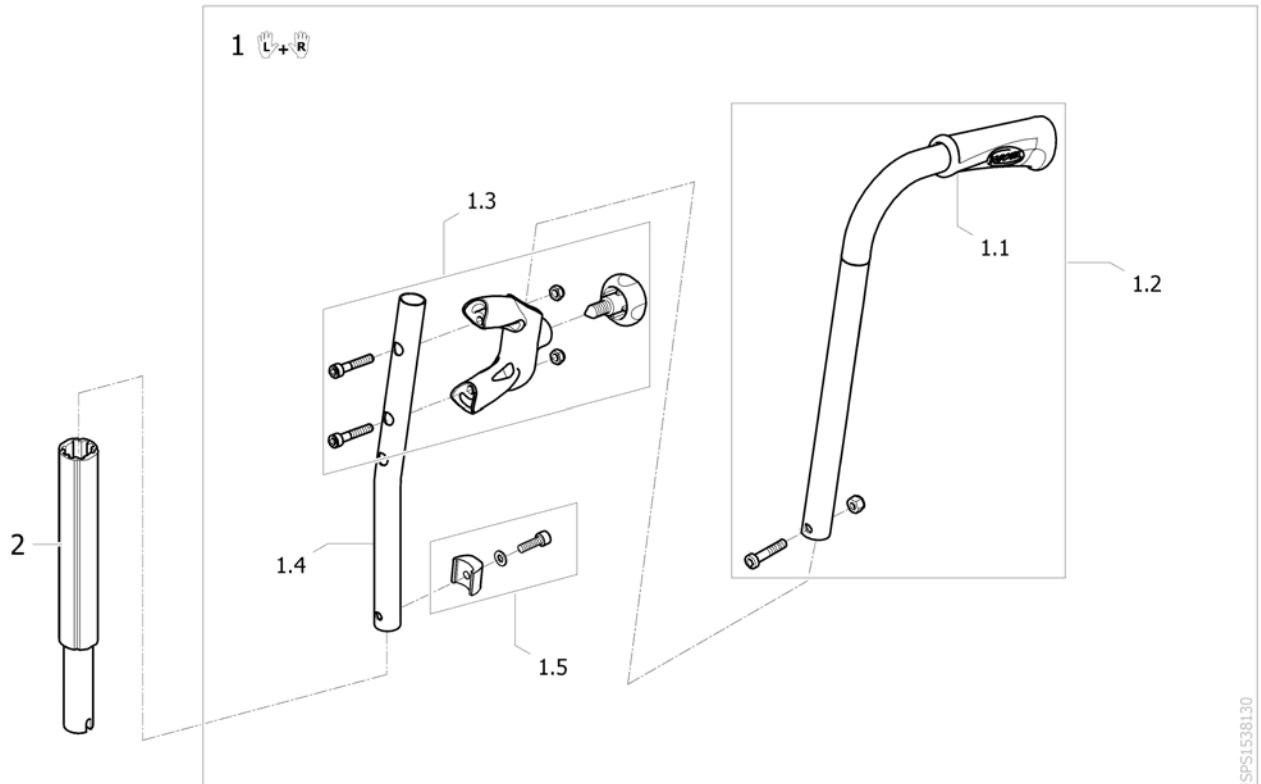
# Fixed Backrest 7° Height Push Handle



ISPS1538129

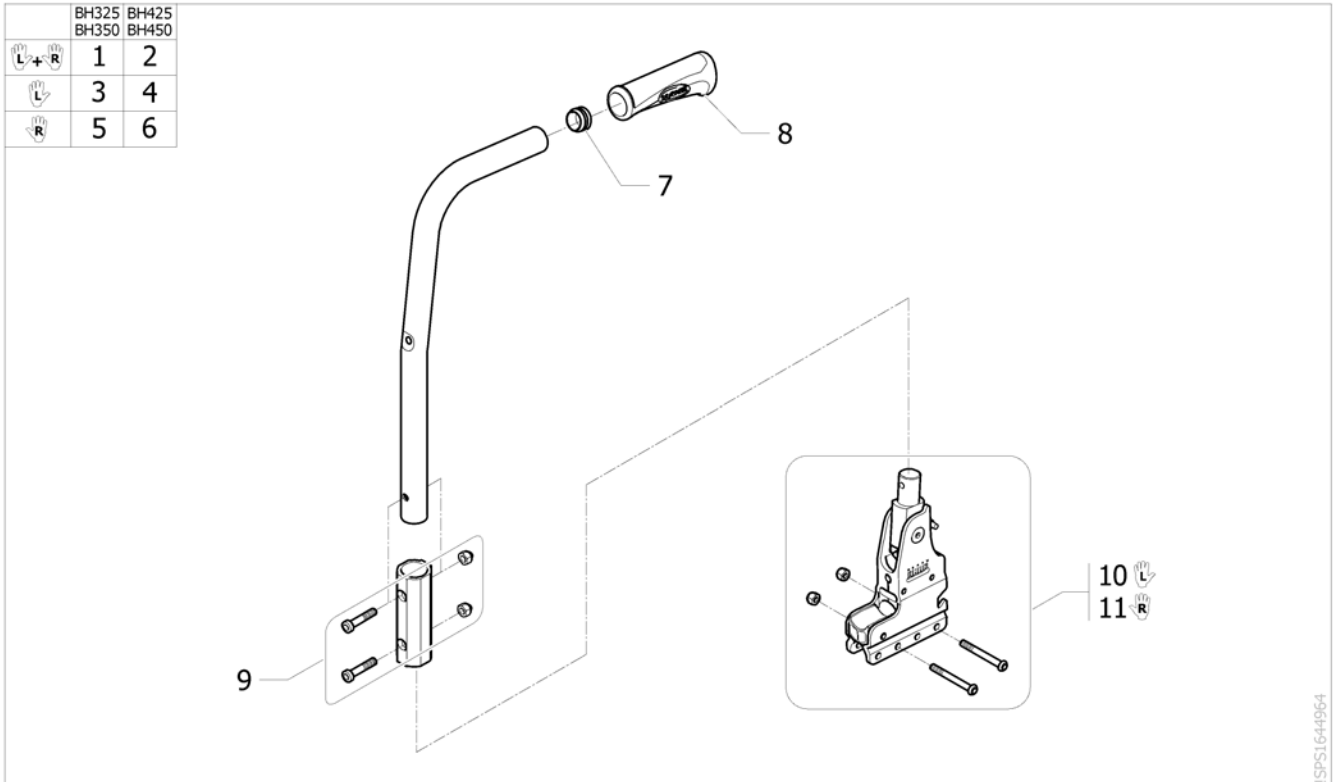
Pos.	Part number	Description	Valid from → until	Qty
1	1449802	A4 Backrest 7°/380 mm To 460 mm Cane Kit (pair) [CE_0395][CK_0300]		1
1.1	1435420	Handle Invacare for backrest Ø20mm		2
1.2	1418112	Crossbrace back cap Ø22x15mm		2
1.3	1451816	A4 Fixed Backrest Upholstery Support Kit		2
1.4	1449803	A4 Fixed Backrest Fixation Kit		2
2	1538204	Backrest extension kit, removable		2





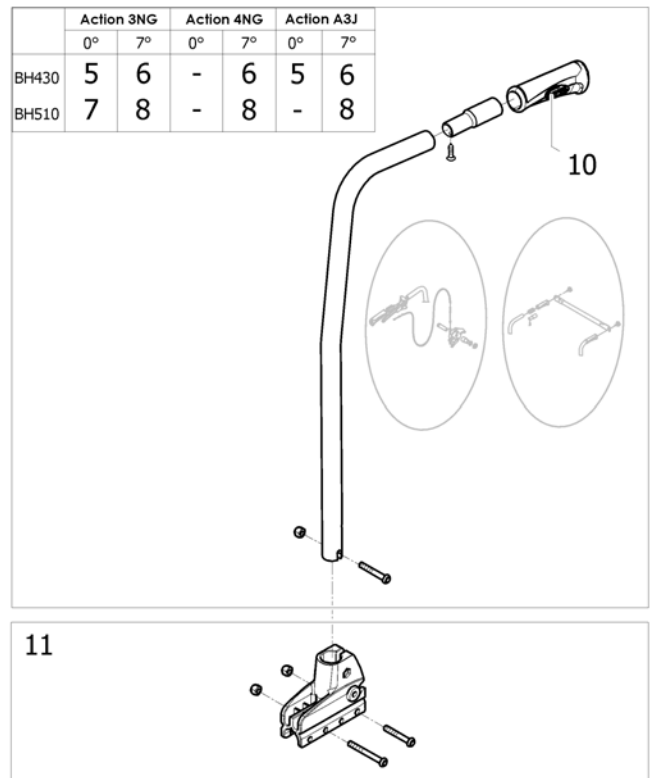
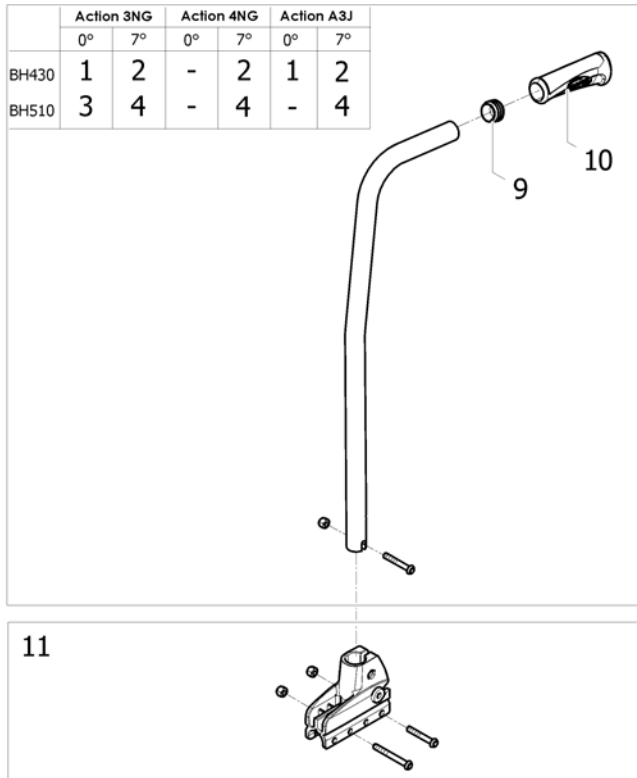
Pos.	Part number	Description	Valid from → until	Qty
1	1449804	Additional Push Handle Set (Pair) <i>[CE_0396][CK_0310]</i>		1
1.1	1435420	Handle Invacare for backrest Ø20mm		1
1.2	1450574	Kit reaset pushhandle tube long		1
1.3	1451818	Kit reaset pushhandle support		1
1.4	SP1574655	Backrest tube for additional push handle <i>Replace 1515698</i>	2014-08-26 →	1
1.5	1449803	A4 Fixed Backrest Fixation Kit		1
2	1538204	Backrest extension kit, removable		1

## Backrest Angle Adjustable 15°: 2017.09.18 =>



Pos.	Part number	Description	Valid from → until	Qty
1	SP1644429	Angle Adjustable and fold down 15° fixed 7° height 325-350 mm (Pair)	2017-09-18 →	1
2	SP1644430	Angle Adjustable and fold down 15° fixed 7° height 425-450 mm (Pair)	2017-09-18 →	1
3	SP1644409	Left back cane support height adjustable 15° H325/350	2017-09-18 →	1
4	SP1644411	Left back cane support height adjustable 15° H425/450	2017-09-18 →	1
5	SP1644410	Right back cane support height adjustable 15° H325/350	2017-09-18 →	1
6	SP1644412	Right back cane support height adjustable 15° H425/450	2017-09-18 →	1
7	1418112	Crossbrace back cap Ø22x15mm	2017-09-18 →	2
8	1435420	Handle Invacare for backrest Ø20mm	2017-09-18 →	2
9	SP1589825	Kit adjustable backrest tube fixation	2017-09-18 →	2
10	SP1644984	Backrest support kit Left -15/+15°	2017-09-18 →	1
11	SP1644985	Backrest support Kit Right -15/+15°	2017-09-18 →	1
12	SP1601900	Cord for backbrace & angle/fold down backrest attachment	2017-09-18 →	1

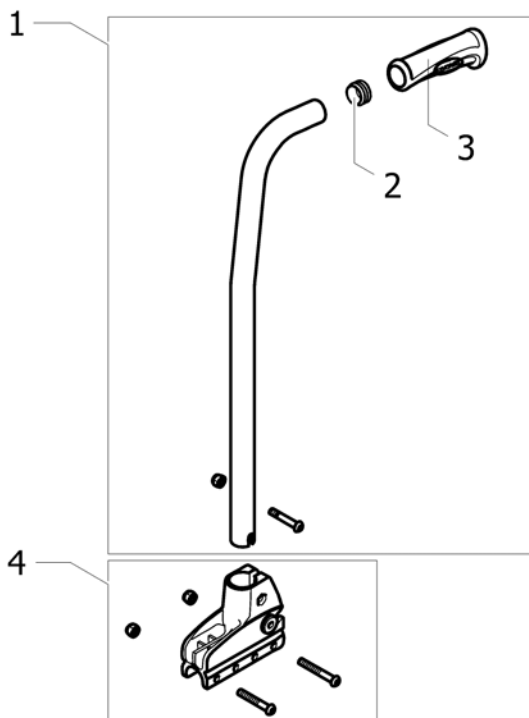
## Fixed Backrest



ISPS1494156

Pos.	Part number	Description	Valid from → until	Qty
1	1430844	Backrest tube fixed 0°/430 mm (Unite) <i>[CE_0380][CN_0370]</i>		2
2	1430846	Backrest tube fixed 7°/430 mm (Unité) <i>[CE_0410][CK_0311][CN_0380]</i>		2
3	1430845	Backrest 0°/510 mm Cane Kit (Unité) <i>[CE_0390]</i>		2
4	1430847	Backrest tube fixed 7°/510 mm (Unité) <i>[CE_0420][CK_0312][CN_0381]</i>		2
5	SP1581636	Backrest tube fixed With insert 0°/430 mm (Unite)		2
6	SP1581637	Backrest tube fixed With insert 7°/430 mm (Unite)		2
7	SP1581638	Backrest tube fixed With insert 0°/510 mm (Unite)		2
8	SP1581639	Backrest tube fixed With insert 7°/510 mm (Unite)		2
9	1418112	Crossbrace back cap Ø22x15mm		2
10	1425473	Handle Invacare for backrest Ø22mm <i>Replace 1435421</i>		2
11	1430848	Fixed Backrest Support Kit		2

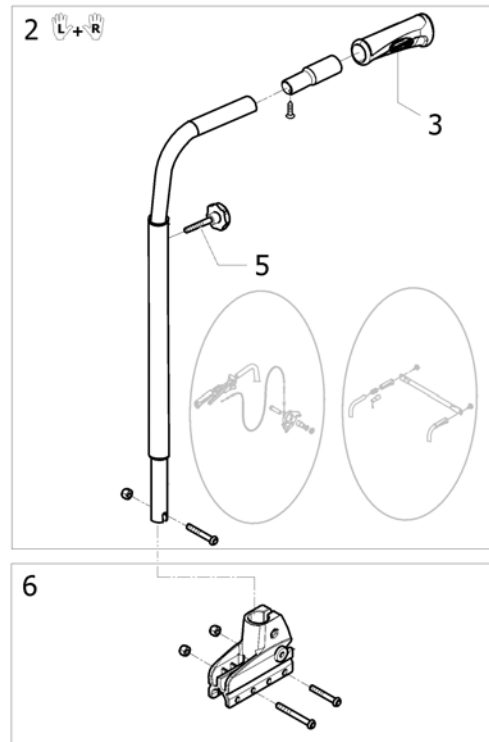
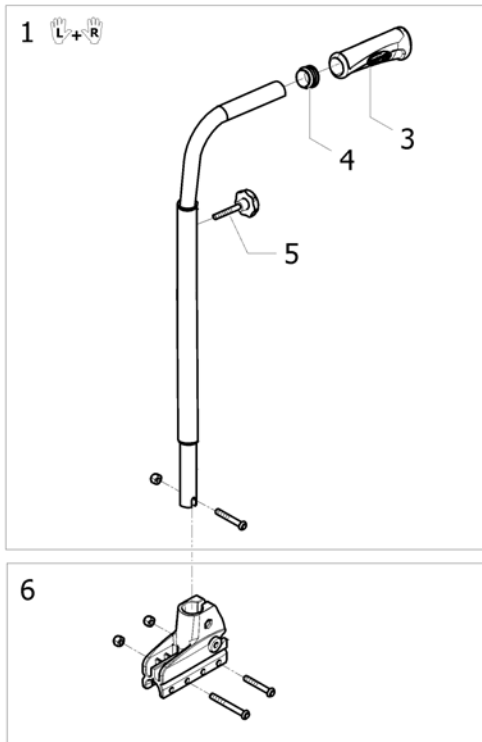
# Fixed Backrest 350 mm Xtra



15P5133306

Pos.	Part number	Description	Valid from → until	Qty
1	1485911	Fixed Backrest Cane 350 mm (pair) <i>[CE_0428][CK_0315]</i>		1
2	1418112	Crossbrace back cap Ø22x15mm		2
3	1425473	Handle Invacare for backrest Ø22mm <i>Replace 1435421</i>		2
4	1430848	Fixed Backrest Support Kit		2

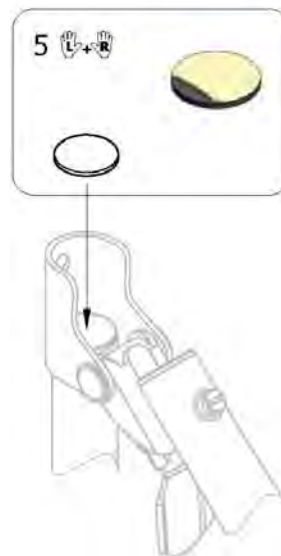
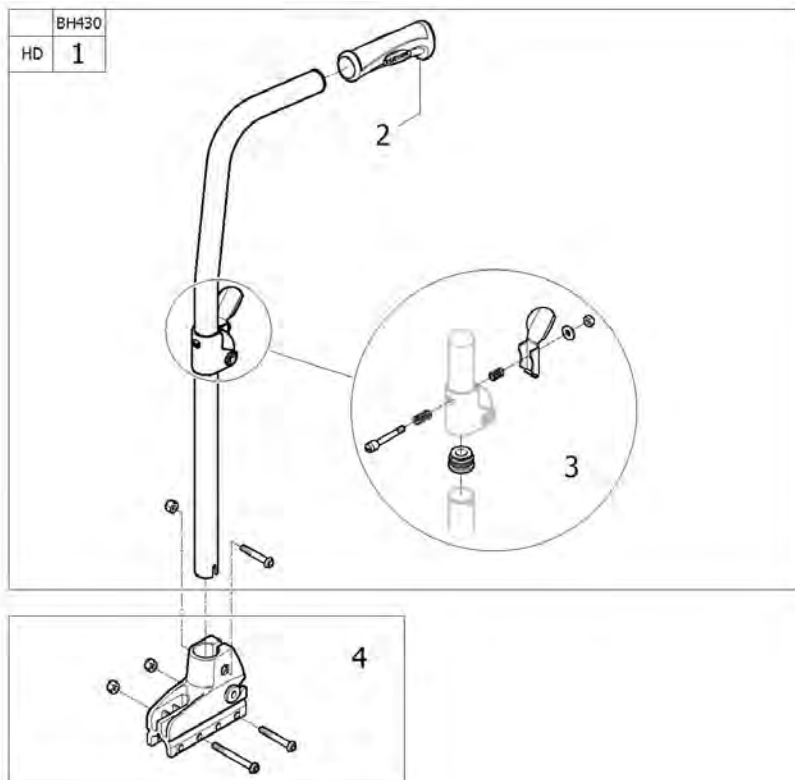
## Fixed Backrest, Height Adjustable, Push Handle



ISPS1494157

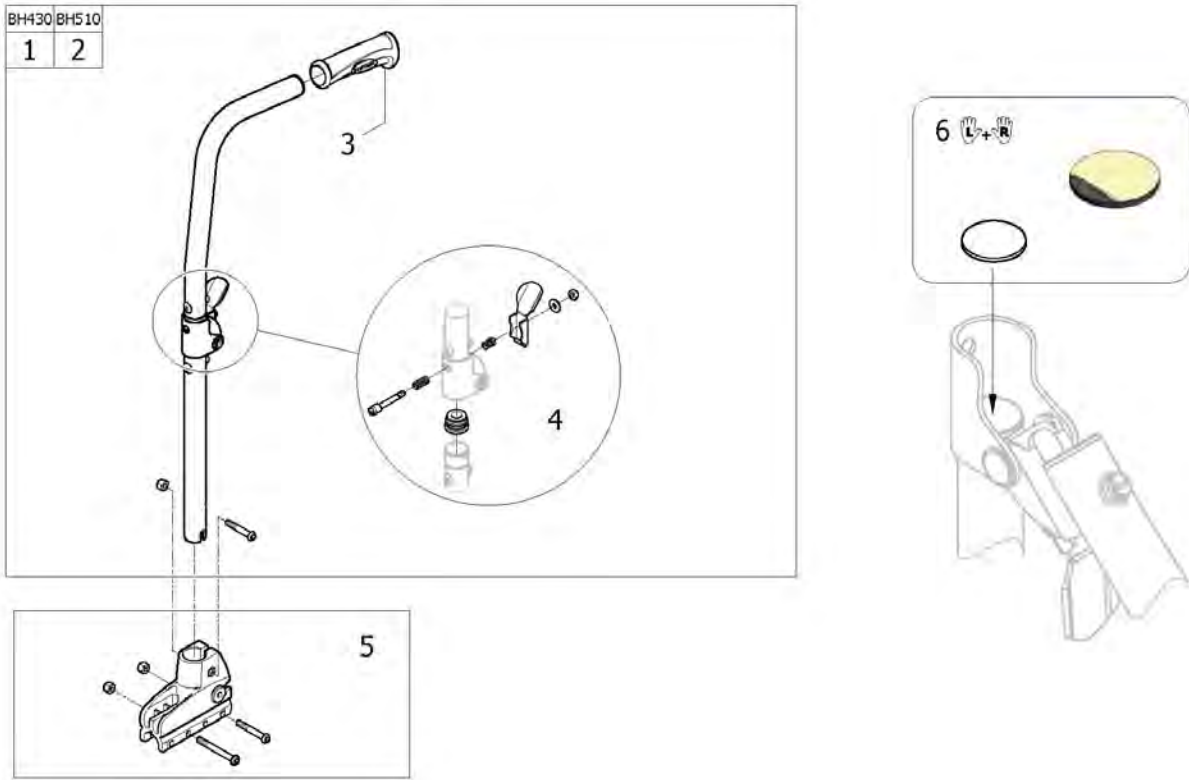
Pos.	Part number	Description	Valid from → until	Qty
1	SP1586293	Backrest tube adjustable Push Handle BH430/580 mm (pair) <i>[CE_0425][CK_0314][CN_0425] - Replace 1428641-0601</i>		1
2	SP1586294	Backrest tube adjustable Push Handle With insert BH430/580 mm (Pair) <i>[CE_0425][CK_0314][CN_0425] if headrest/backbrace or hub brake - Replace SP1581640</i>		1
3	1425473	Handle Invacare for backrest Ø22mm <i>Replace 1435421</i>		2
4	1418112	Crossbrace back cap Ø22x15mm		2
5	0021-60029	Button Ø32 mm M6x16		2
6	1430848	Fixed Backrest Support Kit		2

## Fold down backrest steel



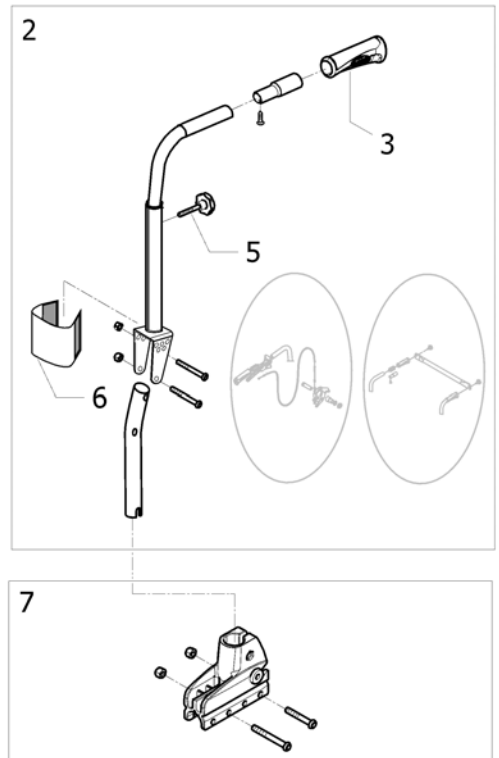
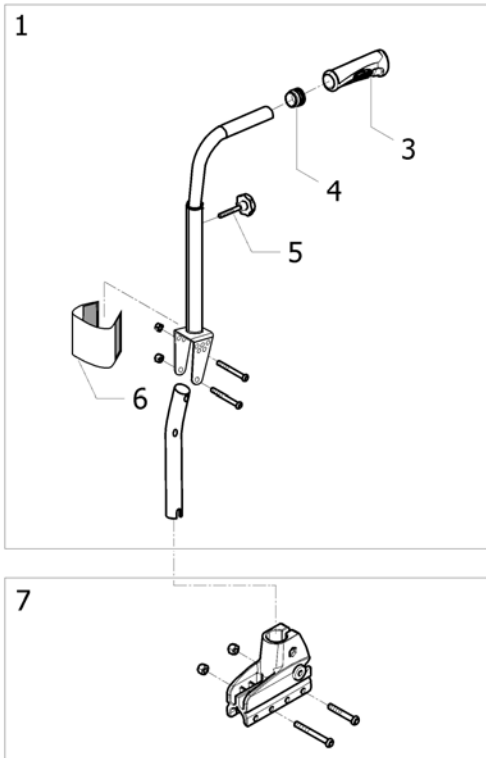
Pos.	Part number	Description	Valid from → until	Qty
1	1548793	Kit folding backrest cane Steel BH430 mm [HD+CE_0455][HD+CK_0341]		2
2	1425473	Handle Invacare for backrest Ø22mm		2
3	1551064	Locking system for folding backrest	2011-07-01 →	2
4	1430848	Fixed Backrest Support Kit		2
5	SP1646931	Rubber disque (Pair)		1

## Fold down backrest steel/alu



Pos.	Part number	Description	Valid from → until	Qty
1	1434492	Folding Backrest Steel/Alu BH430 mm (Unité) [CE_0455][CK_0341][CN_0400][CZ_0455]		2
2	1430852	Folding Backrest Steel/Alu BH510 mm (Unité) [CE_0460][CK_0342][CN_0401]		2
3	1425473	Handle Invacare for backrest Ø22mm		2
4	1551064	Locking system for folding backrest	2011-07-01 →	2
5	1430848	Fixed Backrest Support Kit		2
6	SP1646931	Rubber disque (Pair)		1

# Adjustable Backrest From -6° To +24° =>2016.09.17



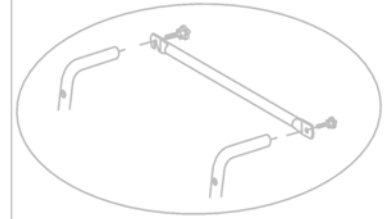
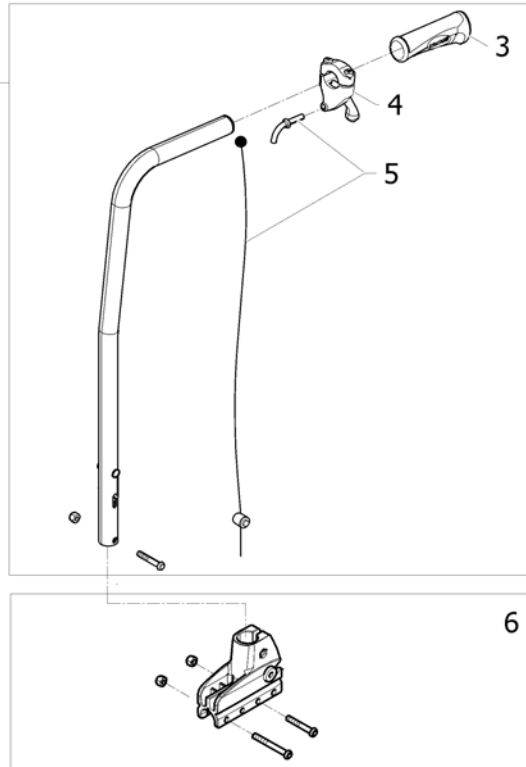
ISPS1494158

Pos.	Part number	Description	Valid from → until	Qty
1	1443021	-6°/+24° Backrest Cane Kit (Unite) <i>[CE_0430][CK_0316]</i>		2
2	SP1581641	-6°/+24° Backrest Cane Kit With insert (Unité)		2
3	1425473	Handle Invacare for backrest Ø22mm <i>Replace 1435421</i>		2
4	1418112	Crossbrace back cap Ø22x15mm		2
5	0021-60029	Button Ø32 mm M6x16		2
6	1442721	Protector Of Backrest Articulation		2
7	1430848	Fixed Backrest Support Kit		2



# Recliner Backrest 0° To 30°, Ratchet

	Action 3NG Action 4NG	Action A3J
BH430	1	1
BH510	2	-



ISPS1494169

Pos.	Part number	Description	Valid from → until	Qty
1	1434491	Reclining Backrest (Ratchet) 0°/30° BH430 mm (Unite) <i>[CE_0435][CK_0320][CN_0390]</i>		2
2	1430849	Reclining Backrest (Ratchet) 0/30° BH510 mm (Unité) <i>[CE_0440][CK_0330]</i>		2
3	1425473	Handle Invacare for backrest Ø22mm <i>Replace 1435421</i>		2
4	1433747	Recliner backrest trigger		2
5	1430851	Recliner backrest cable Kit		2
6	1430850	Recliner Backrest Support Kit		2

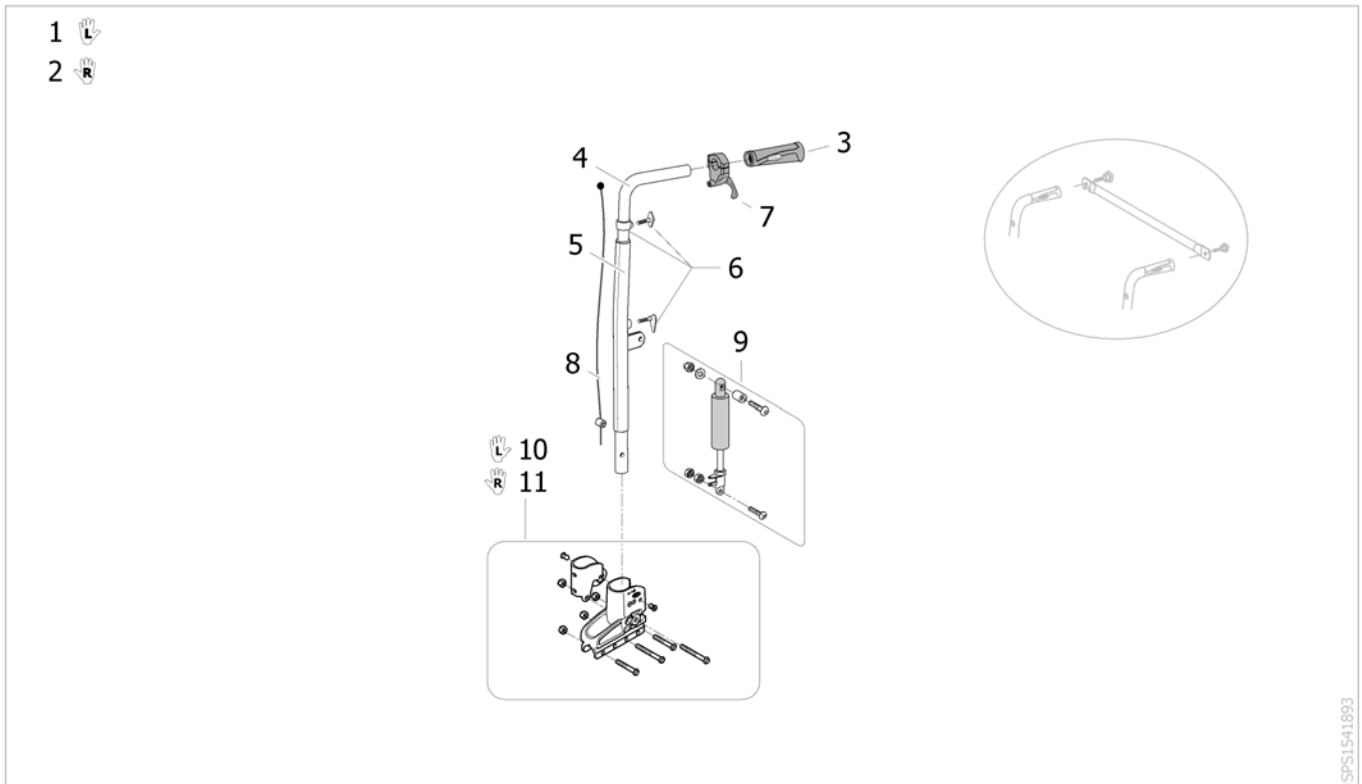
# Recliner Backrest 0° To 30°, Gaz Spring

	BH430		BH430		BH510	
	Action 3NG Action 4NG		Action 3J		Action 3NG Action 4NG	
	L	R	L	R	L	R
SW205	-	-	1	2	-	-
SW230	-	-	1	2	-	-
SW255	-	-	1	2	-	-
SW280	-	-	1	2	-	-
SW305	-	-	1	2	-	-
SW330	-	-	1	2	-	-
SW355	-	-	1	2	-	-
SW380	1	2	1	2	5	6
SW405	1	2	-	-	5	6
SW430	1	2	-	-	5	6
SW455	1	2	-	-	5	6
SW480	1	2	-	-	5	6
SW505	1	2	-	-	5	6
SW555	3	4	-	-	-	-
SW605	3	4	-	-	-	-

\* SW555-SW605

Pos.	Part number	Description	Valid from → until	Qty
1	1442539	LH Reclining Backrest (Gas Spring) 0/30° BH430 mm (Unité) [CE_0445][CK_0333][CN_0395]		1
2	1442538	RH Reclining Backrest (Gas Spring) BH430 mm (Unité) [CE_0445][CK_0333][CN_0395]		1
3	1493416	LH Reclining Backrest (Gas Spring) 0/30° BH430 mm HD [HD+CE_0445][HD+CK_0333]		1
4	1493415	RH Reclining Backrest (Gas Spring) 0/30° BH430 mm HD [HD+CE_0445][HD+CK_0333]		1
5	1442540	LH Reclining Backrest (Gas Spring) 0/30° BH510 mm [CE_0450][CK_0334]		1
6	1442534	RH Reclining Backrest (Gas Spring) 0/30° BH510 mm [CE_0450][CK_0334]		1
7	1425473	Handle Invacare for backrest Ø22mm Replace 1435421		2
8	1433747	Recliner backrest trigger		2
9	1440937	Recliner Gas Cable BH430 mm		2
10	1485871	Recliner Gas Cable BH510 mm		2
11	1484055-0699	Recliner Gas Tube BH430 mm		2
12	1484054-0699	Recliner Gas Tube BH510 mm		2
13	1532595	Gas Strut Kit Standard Backrest	2011-12-02 →	2
13	1528909	Gas Strut Kit Standard Backrest (pair)	2009-09-16 → 2011-12-01	1
14	1532596	Gas Strut Kit Standard Backrest Hd		2
15	1442513	Lh Recliner Gas Backrest Support Kit		2
16	1442507	Rh Recliner Gas Backrest Support Kit		2
17	1493418	Lh Recliner Gas Backrest Support Kit Hd		1
18	1493417	Rh Recliner Gas Backrest Support Kit Hd		1
19	1450992-0699	Head gas spring reinforcement		2

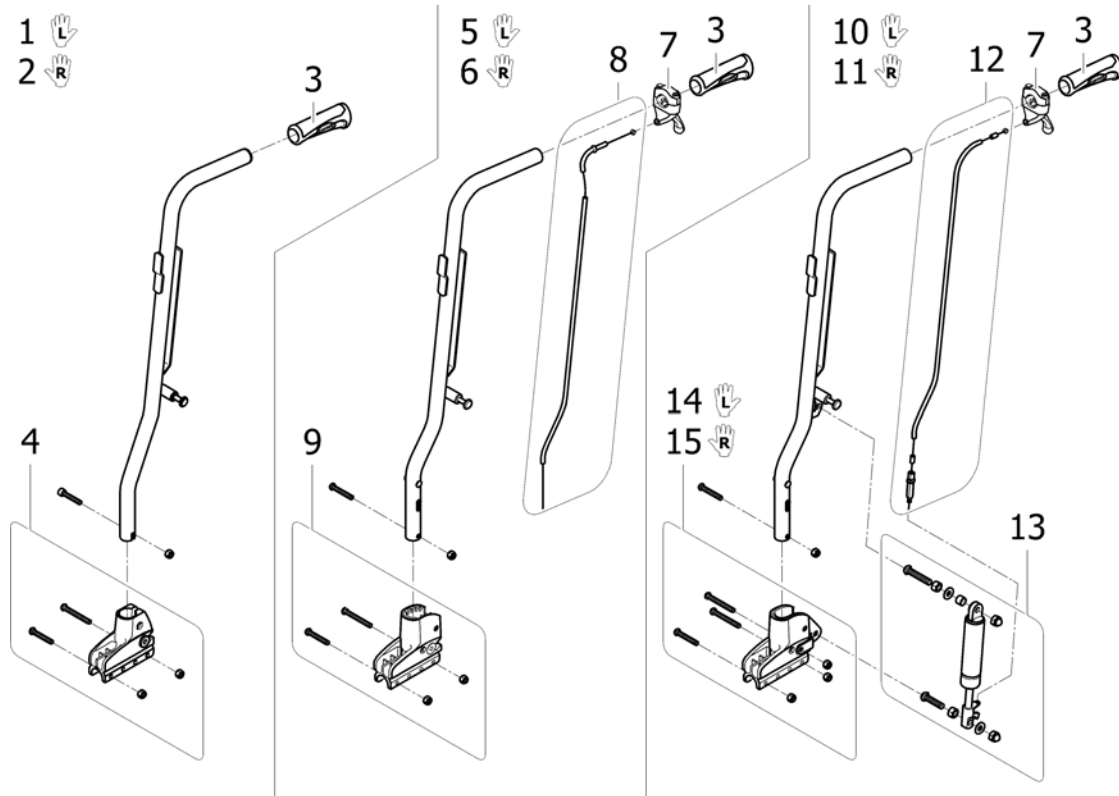
# Recliner Backrest 0° To 30°, Gaz Spring, Adj Handle =>2011-12-31



ISPS1541893

Pos.	Part number	Description	Valid from → until	Qty
1	1541894	Reclining Lh Kit Gas Strut Adjustable Backrest <i>[CE_0451][CK_0340]</i>	→ 2011-12-31	1
2	1541895	Reclining Rh Kit Gas Strut Adjustable Backrest <i>[CE_0451][CK_0340]</i>	→ 2011-12-31	1
3	1425473	Handle Invacare for backrest Ø22mm <i>Replace 1435421</i>	→ 2011-12-31	1
4	1448986-0010	Adjustable Push Handle Recliner Gas A4	→ 2011-12-31	1
5	1448985-0601	Adjustable Recliner Cane A4	→ 2011-12-31	1
6	1451819	Adjustable Backrest Push Handle Kit	→ 2011-12-31	1
7	1433747	Recliner backrest trigger	→ 2011-12-31	1
8	1451765	Adjustable Recliner Gas Cable Kit	→ 2011-12-31	1
9	1532595	Gas Strut Kit Standard Backrest	2011-12-02 → 2011-12-31	2
9	1528909	Gas Strut Kit Standard Backrest (pair)	2009-09-16 → 2011-12-01	1
10	1442513	Lh Recliner Gas Backrest Support Kit	→ 2011-12-31	1
11	1442507	Rh Recliner Gas Backrest Support Kit	→ 2011-12-31	1

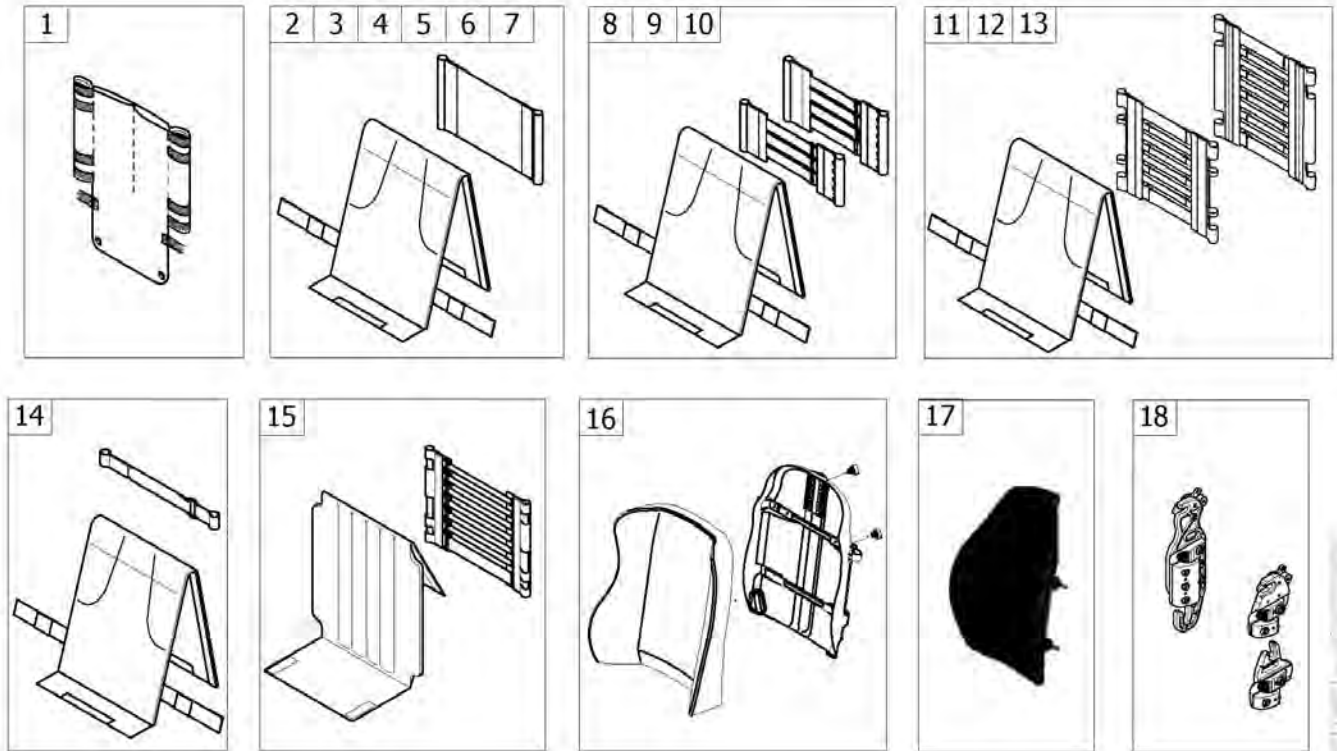
# Laguna backrests



ISPS1514263

Pos.	Part number	Description	Valid from → until	Qty
1	1515663	Kit Backrest post Laguna fixed LH + handle + support <i>[CE_0421][CK_0313]</i>		1
2	1515662	Kit Backrest post Laguna fixed RH + handle + support <i>[CE_0421][CK_0313]</i>		1
3	1425473	Handle Invacare for backrest Ø22mm <i>Replace 1435421</i>		2
4	1430848	Fixed Backrest Support Kit		2
5	1515661	Kit Backrest post Laguna recliner ratchet LH + handle + trigger + cable + support <i>[CE_0441][CK_0343]</i>		1
6	1515650	Kit Backrest post Laguna recliner ratchet RH + handle + trigger + cable + support <i>[CE_0441][CK_0343]</i>		1
7	1433747	Recliner backrest trigger		2
8	1430851	Recliner backrest cable Kit		2
9	1430850	Recliner Backrest Support Kit		2
10	1541873	Kit Backrest post Laguna recliner gas LH + handle + trigger + cable + gas spring + support <i>[CE_0442][CK_0344]</i>		1
11	1541872	Kit Backrest post Laguna recliner gas RH + handle + trigger + cable + gas spring + support <i>[CE_0442][CK_0344]</i>		1
12	1485871	Recliner Gas Cable BH510 mm		2
13	1532595	Gas Strut Kit Standard Backrest	2011-12-02 →	2
13	1528909	Gas Strut Kit Standard Backrest (pair)	2009-09-16 → 2011-12-01	1
14	1442513	Lh Recliner Gas Backrest Support Kit		1
15	1442507	Rh Recliner Gas Backrest Support Kit		1

## Backrest Upholsteries A3NG

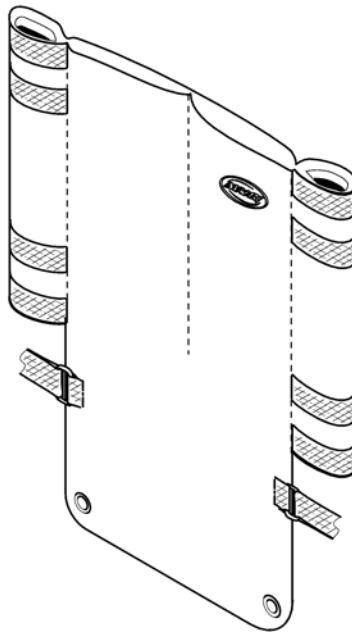


Pos.	Part number	Description	Valid from → until	Qty
1	-	Backrest upholstery Rea [CE_0471]		1
2	-	Lombar support padded back upholstery Bimaterial Black: 2017.09.18 => [CE_0474]	2017-09-18 →	1
3	-	Lombar support padded back upholstery Bimaterial [CE_0474]		1
4	-	Lombar support padded back upholstery [CE_0475]		1
5	-	Backrest Upholstery For Height Adjustable Backrest [CE_0475+CE_0425] [CE_0475+CE_0430]		1
6	-	Lombar support padded back upholstery Bimaterial Black: 2017.09.18 => [CE_0474+CE_0425] [CE_0474+CE_0430]	2017-09-18 →	1
7	-	Backrest Upholstery Bimaterial For Height Adjustable Backrest [CE_0474+CE_0425] [CE_0474+CE_0430]		1
8	-	Contour adjustable Bimaterial padded back upholstery Black: 2017.09.18 => [CE_0478]	2017-09-18 →	1
9	-	Contour adjustable Bimaterial padded back upholstery [CE_0478]		1
10	-	Contour adjustable padded back upholstery [CE_0479]		1
11	-	Contour adjust Bimaterial nylon type back upholstery Black: 2017.09.18 => [CE_0481]	2017-09-18 →	1
12	-	Contour adjustable Bimaterial nylon type back upholstery [CE_0481]		1
13	-	Contour adjustable nylon type back upholstery [CE_0480]		1
14	-	Contour adjustable Bimaterial padded back upholstery Black: 2017.09.18 => [CE_0477]	2017-09-18 →	1
15	-	Contour adjustable backrest upholstery Rea [CE_0480+CE_0395] [CE_0480+CE_0396]		1
16	-	Comfort upholstery [CE_0490/CE_0491/CE_0495]		1
17	-	Backrest upholstery MatrX [CE_0461] [CE_0462] [CE_0463] [CE_0464]		1

## Backrest Upholsteries A3NG

Pos.	Part number	Description	Valid from → until	Qty
18	-	Mounting Hardware MatrX <i>[CE_0466]</i>		1

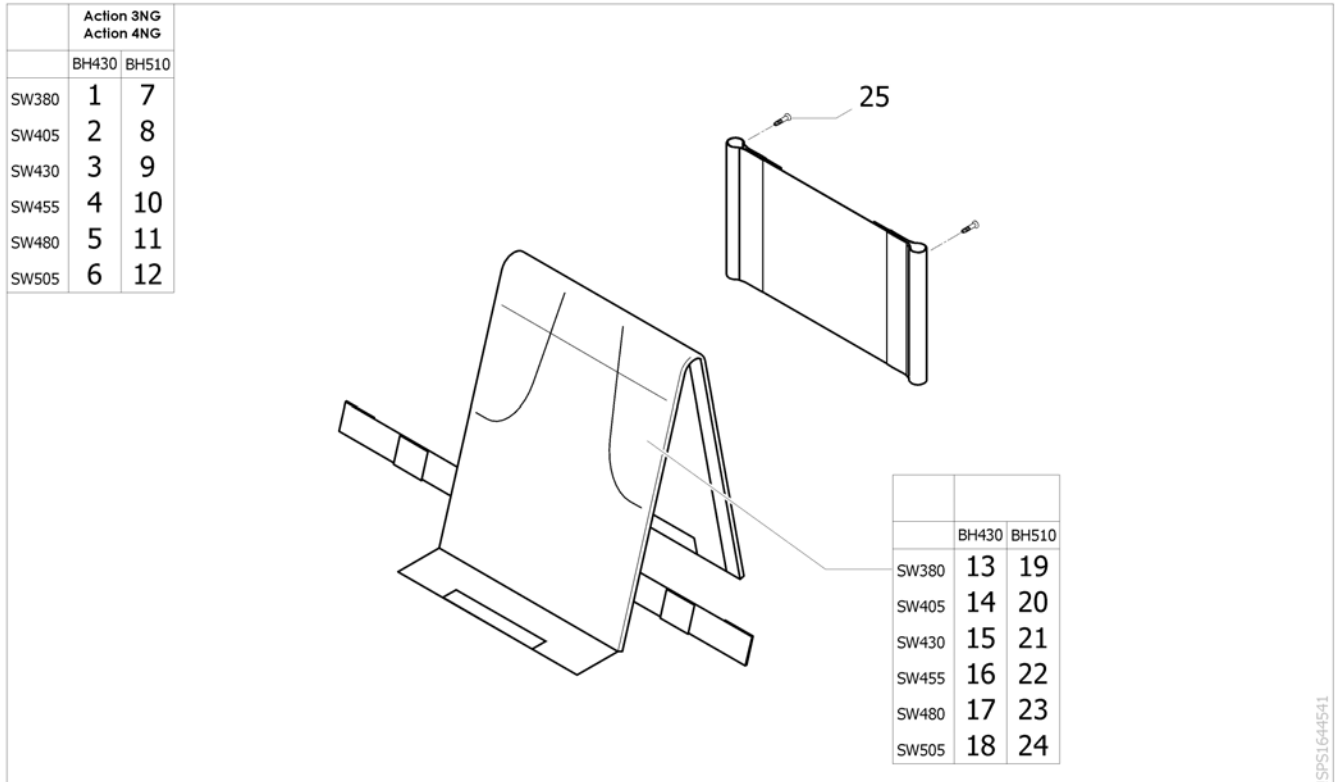
	Action 3NG	Action 4NG
	BH430	BH430
SW380	1	1
SW405	2	2
SW430	3	3
SW455	4	4
SW480	5	5
SW505	6	6
SW555	-	7
SW605	-	8



ISPS1496271

Pos.	Part number	Description	Valid from → until	Qty
1	1449809	Rea Backrest Upholstery SW380 x BH430 mm [CK_0360]		1
2	1449810	Rea Backrest Upholstery SW405 x BH430 mm [CK_0360]		1
3	1449811	Rea Backrest Upholstery SW430 x BH430 mm [CK_0360]		1
4	1449812	Rea Backrest Upholstery SW455 x BH430 mm [CK_0360]		1
5	1449813	Rea Backrest Upholstery SW480 x BH430 mm [CK_0360]		1
6	1449814	Rea Backrest Upholstery SW505 x BH430 mm [CK_0360]		1
7	1483908	Rea Backrest Upholstery SW555 x BH430 mm [CK_0360]		1
8	1483909	Rea Backrest Upholstery SW605 x BH430 mm [CK_0360]		1

# Lombar support padded back upholstery Bimaterial Black: 2017.09.18 =>



SPS1644541

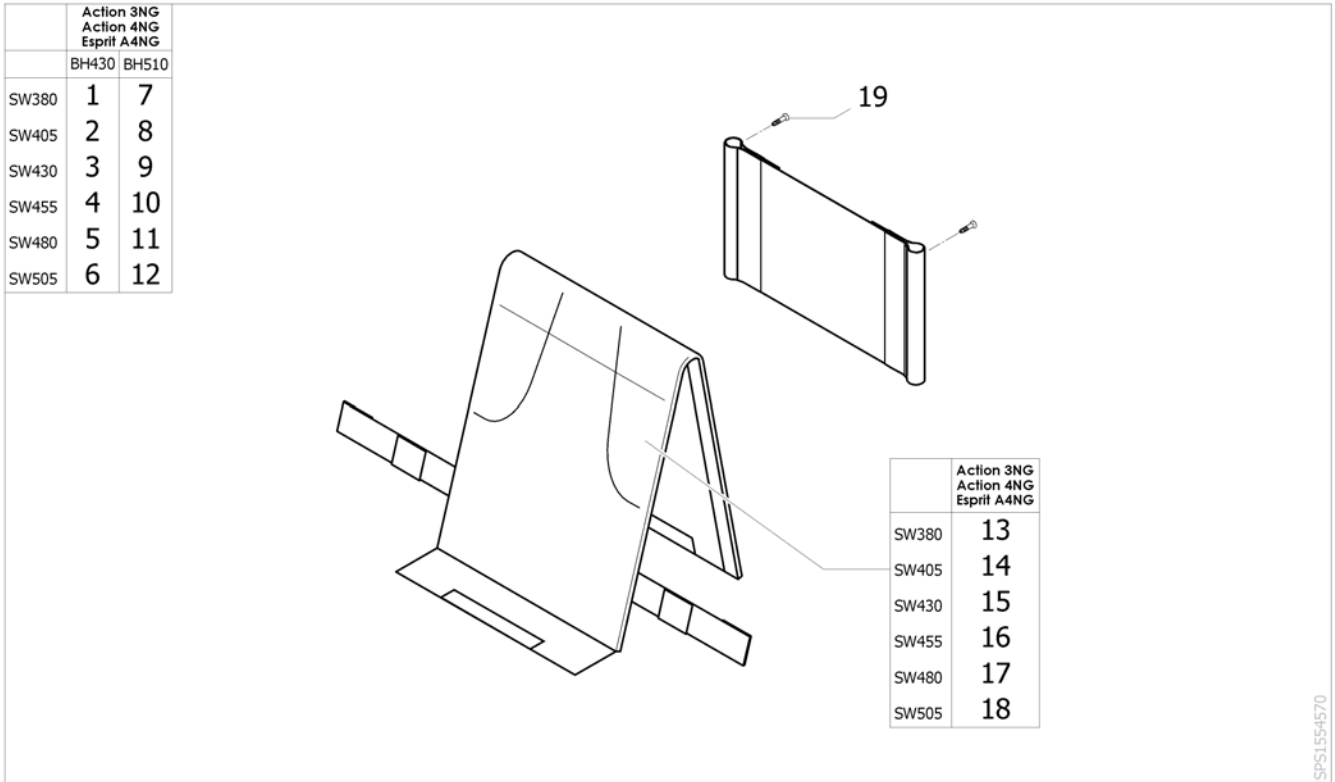
Pos.	Part number	Description	Valid from → until	Qty
1	SP1642163	Lombar support padded back upholstery Black Bimaterial SW380 x BH430 mm	2017-09-18 →	1
2	SP1642164	Lombar support padded back upholstery Black Bimaterial SW405 x BH430 mm	2017-09-18 →	1
3	SP1642165	Lombar support padded back upholstery Black Bimaterial SW430 x BH430 mm	2017-09-18 →	1
4	SP1642166	Lombar support padded back upholstery Black Bimaterial SW455 x BH430 mm	2017-09-18 →	1
5	SP1642167	Lombar support padded back upholstery Black Bimaterial SW480 x BH430 mm	2017-09-18 →	1
6	SP1642168	Lombar support padded back upholstery Black Bimaterial SW505 x BH430 mm	2017-09-18 →	1
7	SP1642183	Lombar support padded back upholstery Black Bimaterial SW380 x BH510 mm	2017-09-18 →	1
8	SP1642184	Lombar support padded back upholstery Black Bimaterial SW405 x BH510 mm	2017-09-18 →	1
9	SP1642185	Lombar support padded back upholstery Black Bimaterial SW430 x BH510 mm	2017-09-18 →	1
10	SP1642186	Lombar support padded back upholstery Black Bimaterial SW455 x BH510 mm	2017-09-18 →	1
11	SP1642187	Lombar support padded back upholstery Black Bimaterial SW480 x BH510 mm	2017-09-18 →	1
12	SP1642188	Lombar support padded back upholstery Black Bimaterial SW505 x BH510 mm	2017-09-18 →	1
13	SP1639023	Shapped cover black bimaterial SW380 SH430	2017-09-18 →	1
14	SP1639024	Shapped cover black bimaterial SW405 SH430	2017-09-18 →	1
15	SP1639025	Shapped cover black bimaterial SW430 SH430	2017-09-18 →	1
16	SP1639026	Shapped cover black bimaterial SW455 SH430	2017-09-18 →	1
17	SP1639027	Shapped cover black bimaterial SW480 SH430	2017-09-18 →	1
18	SP1639028	Shapped cover black bimaterial SW505 SH430	2017-09-18 →	1
19	SP1639057	Shapped cover black bimaterial SW380 SH510	2017-09-18 →	1
20	SP1639058	Shapped cover black bimaterial SW405 SH510	2017-09-18 →	1
21	SP1639059	Shapped cover black bimaterial SW430 SH510	2017-09-18 →	1
22	SP1639060	Shapped cover black bimaterial SW455 SH510	2017-09-18 →	1



**Lombar support padded back upholstery Bimaterial Black: 2017.09.18 =>**

Pos.	Part number	Description	Valid from → until	Qty
23	SP1639061	Shapped cover black bimaterial SW480 SH510	2017-09-18 →	1
24	SP1639062	Shapped cover black bimaterial SW505 SH510	2017-09-18 →	1
25	1428603	Screw Tfb 4,8x19 A2r Tx25 DIN7983	2017-09-18 →	2

# Lombar support padded back upholstery Bimaterial



Pos.	Part number	Description	Valid from → until	Qty
1	1553458	Lombar support padded back upholstery Bimaterial complete SW380 x BH430 mm <i>[CE_0474][CK_0364]</i>		1
2	1553459	Lombar support padded back upholstery Bimaterial complete SW405 x BH430 mm <i>[CE_0474][CK_0364]</i>		1
3	1553460	Lombar support padded back upholstery Bimaterial complete SW430 x BH430 mm <i>[CE_0474][CK_0364]</i>		1
4	1553461	Lombar support padded back upholstery Bimaterial complete SW455 x BH430 mm <i>[CE_0474][CK_0364]</i>		1
5	1553462	Lombar support padded back upholstery Bimaterial complete SW480 x BH430 mm <i>[CE_0474][CK_0364]</i>		1
6	1553463	Lombar support padded back upholstery Bimaterial complete SW505 x BH430 mm <i>[CE_0474][CK_0364]</i>		1
7	1553466	Lombar support padded back upholstery Bimaterial complete SW380 x BH510 mm <i>[CE_0474][CK_0364]</i>		1
8	1553467	Lombar support padded back upholstery Bimaterial complete SW405 x BH510 mm <i>[CE_0474][CK_0364]</i>		1
9	1553468	Lombar support padded back upholstery Bimaterial complete SW430 x BH510 mm <i>[CE_0474][CK_0364]</i>		1
10	1553469	Lombar support padded back upholstery Bimaterial complete SW455 x BH510 mm <i>[CE_0474][CK_0364]</i>		1
11	1553470	Lombar support padded back upholstery Bimaterial complete SW480 x BH510 mm <i>[CE_0474][CK_0364]</i>		1
12	1553471	Lombar support padded back upholstery Bimaterial complete SW505 x BH510 mm <i>[CE_0474][CK_0364]</i>		1
13	1544272	Shapped cover Bimaterial ActionNG SW380 mm		1
14	1544273	Shapped cover Bimaterial ActionNG SW405 mm		1

**Lombar support padded back upholstery Bimaterial**

Pos.	Part number	Description	Valid from → until	Qty
15	1544274	Shapped cover Bimat�erial ActionNG SW430 mm		1
16	1544275	Shapped cover Bimat�erial ActionNG SW455 mm		1
17	1544276	Shapped cover Bimat�erial ActionNG SW480 mm		1
18	1544277	Shapped cover Bimat�erial ActionNG SW505 mm		1
19	1428603	Screw Tfb 4,8x19 A2r Tx25 DIN7983		2

## Lombar support padded back upholstery

	Action 3NG EspritA4NG		Action 4NG	
	BH430	BH510	BH430	BH510
SW380	1	9	1	9
SW405	2	10	2	10
SW430	3	11	3	11
SW455	4	12	4	12
SW480	5	13	5	13
SW505	6	14	6	14
SW555	-	-	7	15
SW605	-	-	8	16

	Action 3NG EspritA4NG	Action 4NG
SW380	17	17
SW405	18	18
SW430	19	19
SW455	20	20
SW480	21	21
SW505	22	22
SW555	-	23
SW605	-	24

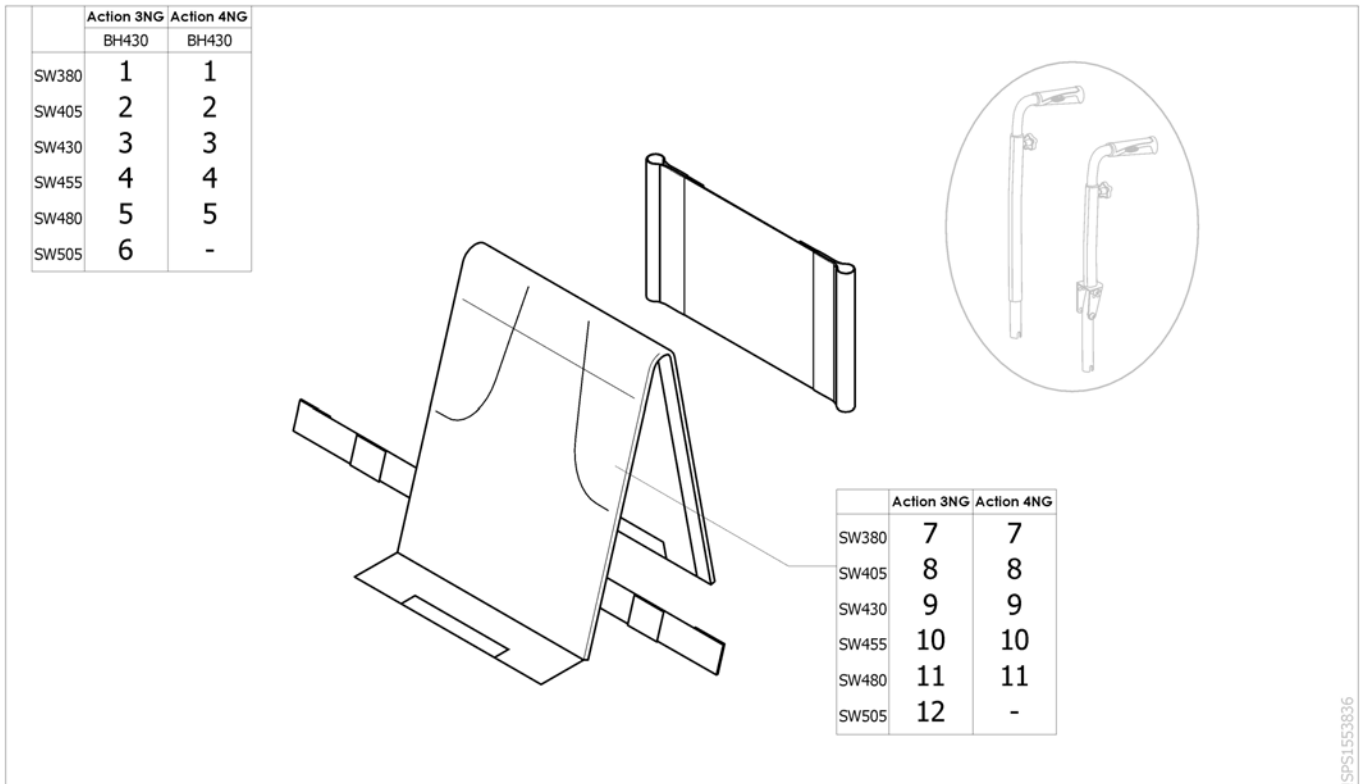
ISPS1535387

Pos.	Part number	Description	Valid from → until	Qty
1	1532610	Lombar support padded back upholstery complete SW380 x BH430 mm <i>[CK_0365]</i>		1
2	1532611	Lombar support padded back upholstery complete SW405 x BH430 mm <i>[CK_0365]</i>		1
3	1532612	Lombar support padded back upholstery complete SW430 x BH430 mm <i>[CK_0365]</i>		1
4	1532613	Lombar support padded back upholstery complete SW455 x BH430 mm <i>[CK_0365]</i>		1
5	1532614	Lombar support padded back upholstery complete SW480 x BH430 mm <i>[CK_0365]</i>		1
6	1532615	Lombar support padded back upholstery complete SW505 x BH430 mm <i>[CK_0365]</i>		1
7	1532616	Lombar support padded back upholstery complete SW555 x BH430 mm <i>[CK_0365]</i>		1
8	1532617	Lombar support padded back upholstery complete SW605 x BH430 mm <i>[CK_0365]</i>		1
9	1532618	Lombar support padded back upholstery complete SW380 x BH510 mm <i>[CK_0365]</i>		1
10	1532619	Lombar support padded back upholstery complete SW405 x BH510 mm <i>[CK_0365]</i>		1
11	1532620	Lombar support padded back upholstery complete SW430 x BH510 mm <i>[CK_0365]</i>		1
12	1532621	Lombar support padded back upholstery complete SW455 x BH510 mm <i>[CK_0365]</i>		1
13	1532622	Lombar support padded back upholstery complete SW480 x BH510 mm <i>[CK_0365]</i>		1
14	1532623	Lombar support padded back upholstery complete SW505 x BH510 mm <i>[CK_0365]</i>		1
15	1532624	Lombar support padded back upholstery complete SW555 x BH510 mm <i>[CK_0365]</i>		1
16	1532625	Lombar support padded back upholstery complete SW605 x BH510 mm <i>[CK_0365]</i>		1
17	1530914	Shapped cover Action NG SW380 mm		1
18	1530915	Shapped cover Action NG SW405 mm		1
19	1531053	Shapped cover Action NG SW430 mm		1
20	1531054	Shapped cover Action NG SW455 mm		1

## Lombar support padded back upholstery

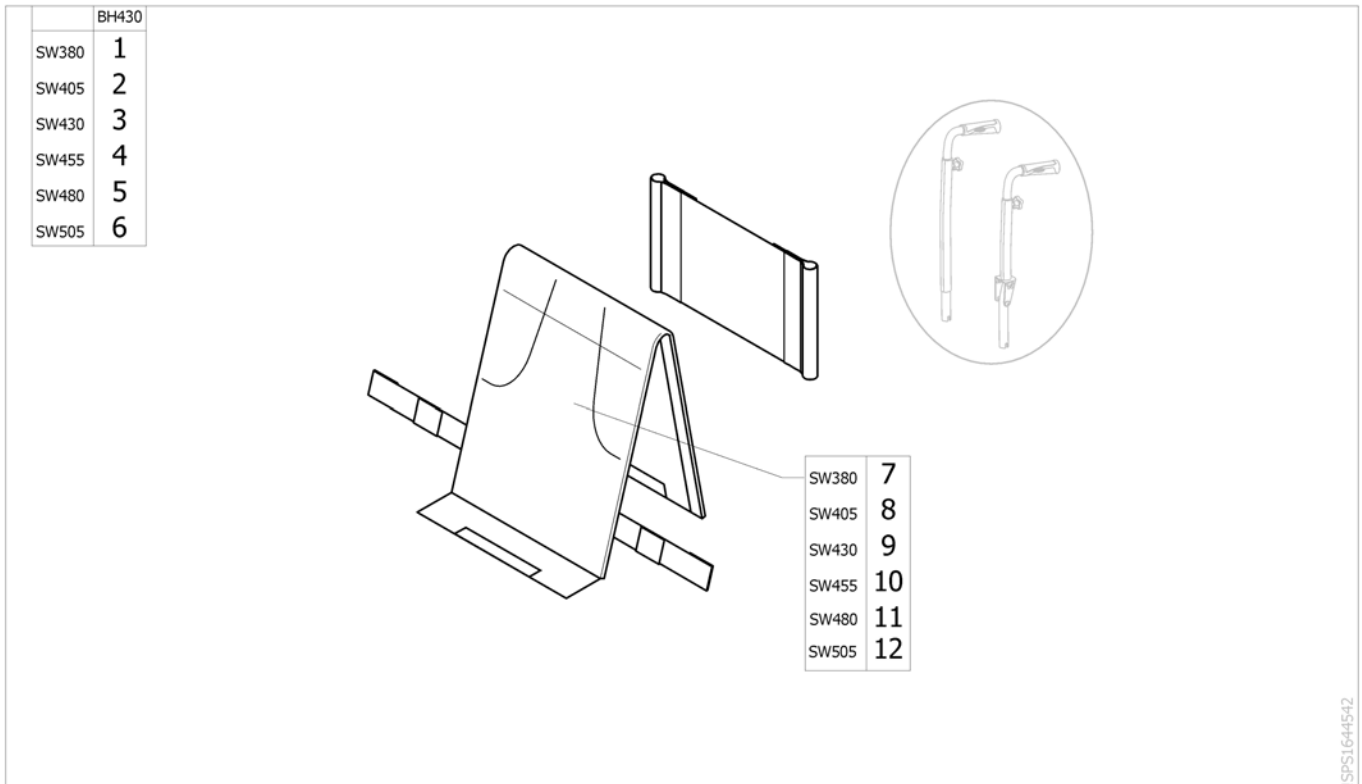
Pos.	Part number	Description	Valid from → until	Qty
21	1531055	Shapped cover Action NG SW480 mm		1
22	1531056	Shapped cover Action NG SW505 mm		1
23	1531074	Shapped cover Action NG SW555 mm		1
24	1531075	Shapped cover Action NG SW605 mm		1
25	1428603	Screw Tfb 4,8x19 A2r Tx25 DIN7983 <i>Replace 0029-40005</i>		2

## Backrest Upholstery For Height Adjustable Backrest



Pos.	Part number	Description	Valid from → until	Qty
1	1533872	Lombar support padded back upholstery complete for height adjustable handle SW380 x BH430 mm <i>[CE_0475 + CE_0425/CE_0430]</i>		1
2	1533922	Lombar support padded back upholstery complete for height adjustable handle SW405 x BH430 mm <i>[CE_0475 + CE_0425/CE_0430]</i>		1
3	1533923	Lombar support padded back upholstery complete for height adjustable handle SW430 x BH430 mm <i>[CE_0475 + CE_0425/CE_0430]</i>		1
4	1533924	Lombar support padded back upholstery complete for height adjustable handle SW455 x BH430 mm <i>[CE_0475 + CE_0425/CE_0430]</i>		1
5	1533925	Lombar support padded back upholstery complete for height adjustable handle SW480 x BH430 mm <i>[CE_0475 + CE_0425/CE_0430]</i>		1
6	1533926	Lombar support padded back upholstery complete for height adjustable handle SW505 x BH430 mm <i>[CE_0475 + CE_0425/CE_0430]</i>		1
7	1530914	Shapped cover Action NG SW380 mm		1
8	1530915	Shapped cover Action NG SW405 mm		1
9	1531053	Shapped cover Action NG SW430 mm		1
10	1531054	Shapped cover Action NG SW455 mm		1
11	1531055	Shapped cover Action NG SW480 mm		1
12	1531056	Shapped cover Action NG SW505 mm		1

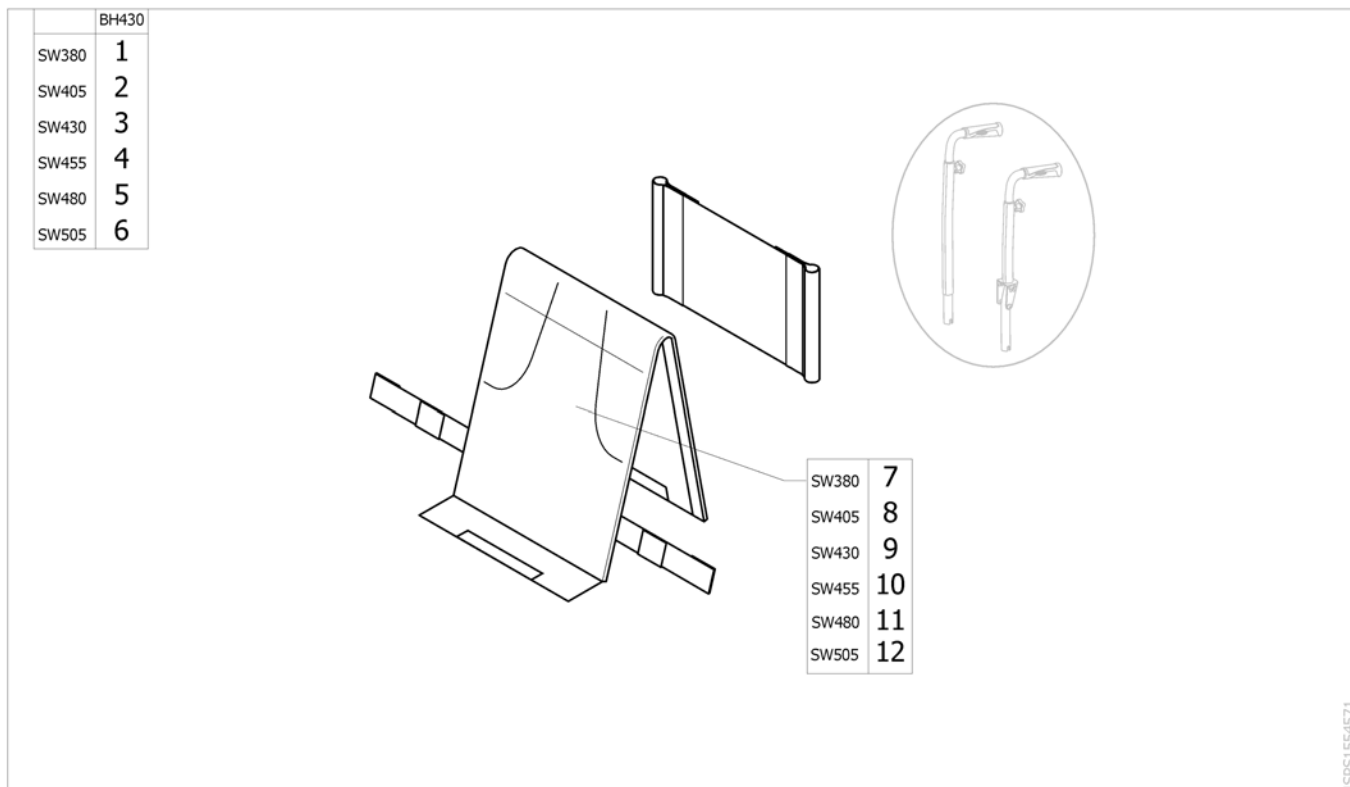
# Lombar support padded back upholstery Bimaterial Black: 2017.09.18 =>



ISPS164454Z

Pos.	Part number	Description	Valid from → until	Qty
1	SP1642395	Lombar back upholstery Black Bimaterial SW380 x BH430 mm for height adjustable handle	2017-09-18 →	1
2	SP1642396	Lombar back upholstery Black Bimaterial SW405 x BH430 mm for height adjustable handle	2017-09-18 →	1
3	SP1642397	Lombar back upholstery Black Bimaterial SW430 x BH430 mm for height adjustable handle	2017-09-18 →	1
4	SP1642398	Lombar back upholstery Black Bimaterial SW455 x BH430 mm for height adjustable handle	2017-09-18 →	1
5	SP1642399	Lombar back upholstery Black Bimaterial SW480 x BH430 mm for height adjustable handle	2017-09-18 →	1
6	SP1642400	Lombar back upholstery Black Bimaterial SW505 x BH430 mm for height adjustable handle	2017-09-18 →	1
7	SP1639023	Shapped cover black bimaterial SW380 SH430	2017-09-18 →	1
8	SP1639024	Shapped cover black bimaterial SW405 SH430	2017-09-18 →	1
9	SP1639025	Shapped cover black bimaterial SW430 SH430	2017-09-18 →	1
10	SP1639026	Shapped cover black bimaterial SW455 SH430	2017-09-18 →	1
11	SP1639027	Shapped cover black bimaterial SW480 SH430	2017-09-18 →	1
12	SP1639028	Shapped cover black bimaterial SW505 SH430	2017-09-18 →	1

## Backrest Upholstery Bimaterial For Height Adjustable Backrest



Pos.	Part number	Description	Valid from → until	Qty
1	1553684	Lombar support padded back upholstery Bimaterial complete for height adjustable handle SW380 x BH430 mm <i>[CE_0474+CE_0425/CE_0430][CK_0364+CK_0314/CK_0316]</i>		1
2	1553685	Lombar support padded back upholstery Bimaterial complete for height adjustable handle SW405 x BH430 mm <i>[CE_0474+CE_0425/CE_0430][CK_0364+CK_0314/CK_0316]</i>		1
3	1553724	Lombar support padded back upholstery Bimaterial complete for height adjustable handle SW430 x BH430 mm <i>[CE_0474+CE_0425/CE_0430][CK_0364+CK_0314/CK_0316]</i>		1
4	1553725	Lombar support padded back upholstery Bimaterial complete for height adjustable handle SW455 x BH430 mm <i>[CE_0474+CE_0425/CE_0430][CK_0364+CK_0314/CK_0316]</i>		1
5	1553726	Lombar support padded back upholstery Bimaterial complete for height adjustable handle SW480 x BH430 mm <i>[CE_0474+CE_0425/CE_0430][CK_0364+CK_0314/CK_0316]</i>		1
6	1553727	Lombar support padded back upholstery Bimaterial complete for height adjustable handle SW505 x BH430 mm <i>[CE_0474+CE_0425/CE_0430][CK_0364+CK_0314/CK_0316]</i>		1
7	1544272	Shapped cover Bimat�riel ActionNG SW380 mm		1
8	1544273	Shapped cover Bimat�riel ActionNG SW405 mm		1
9	1544274	Shapped cover Bimat�riel ActionNG SW430 mm		1
10	1544275	Shapped cover Bimat�riel ActionNG SW455 mm		1
11	1544276	Shapped cover Bimat�riel ActionNG SW480 mm		1
12	1544277	Shapped cover Bimat�riel ActionNG SW505 mm		1



## Contour adjustable Bimaterial padded back upholstery Black: 2017.09.18 =>

	Action 3NG		Action 4NG	
	BH430	BH510	BH430	BH510
SW380	1	9	1	9
SW405	2	10	2	10
SW430	3	11	3	11
SW455	4	12	4	12
SW480	5	13	5	13
SW505	6	14	6	14
SW555	-	-	7	-
SW605	-	-	8	-

	Action 3NG		Action 4NG	
	BH430	BH510	BH430	BH510
SW380	15	23	15	23
SW405	16	24	16	24
SW430	17	25	17	25
SW455	18	26	18	26
SW480	19	27	19	27
SW505	20	28	20	28
SW555	-	-	21	-
SW605	-	-	22	-

SPS1644543

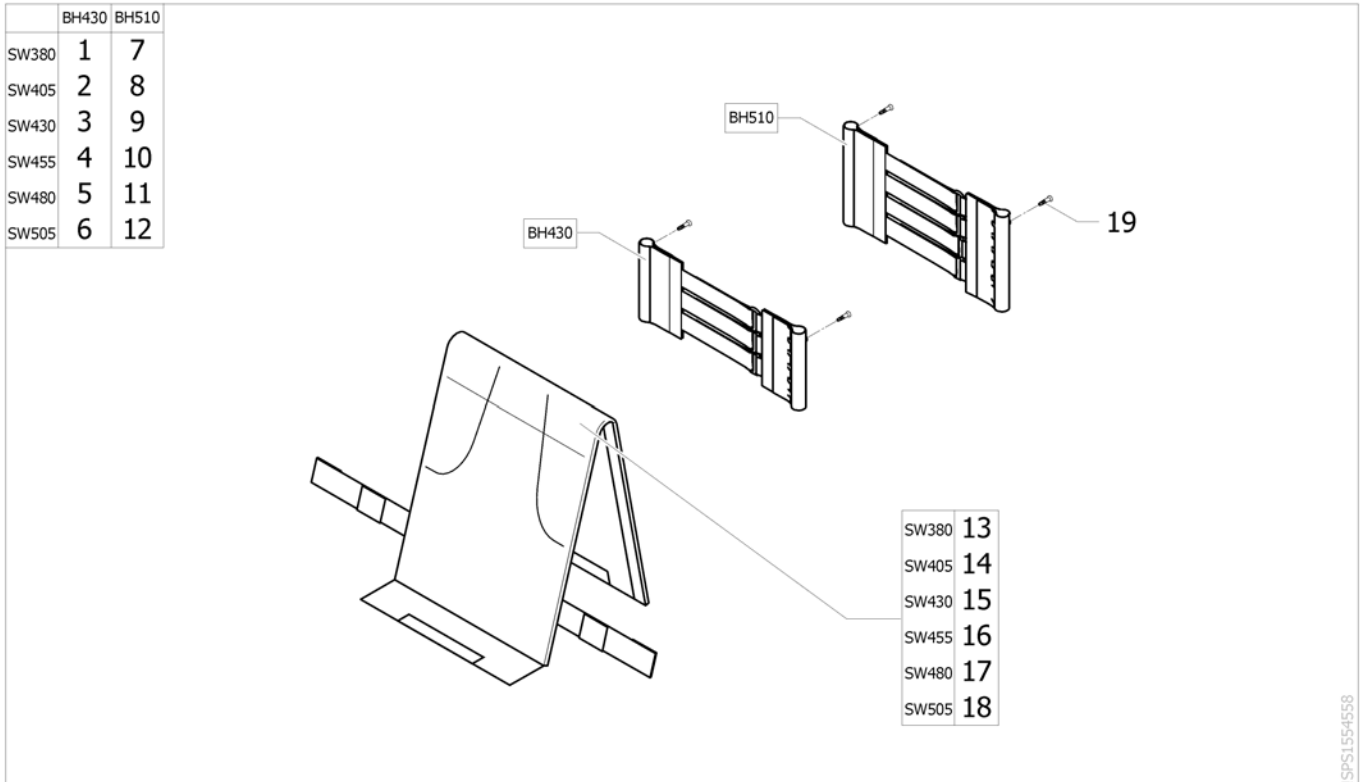
Pos.	Part number	Description	Valid from → until	Qty
1	SP1642371	Contour adjustable padded back upholstery Black Bimaterial 3 Straps SW380 x BH430 mm	2017-09-18 →	1
2	SP1642372	Contour adjustable padded back upholstery Black Bimaterial 3 Straps SW405 x BH430 mm	2017-09-18 →	1
3	SP1642373	Contour adjustable padded back upholstery Black Bimaterial 3 Straps SW430 x BH430 mm	2017-09-18 →	1
4	SP1642374	Contour adjustable padded back upholstery Black Bimaterial 3 Straps SW455 x BH430 mm	2017-09-18 →	1
5	SP1642375	Contour adjustable padded back upholstery Black Bimaterial 3 Straps SW480 x BH430 mm	2017-09-18 →	1
6	SP1642376	Contour adjustable padded back upholstery Black Bimaterial 3 Straps SW505 x BH430 mm	2017-09-18 →	1
7	SP1645330	Contour adjustable padded back upholstery Black Bimaterial 3 Straps SW555 x BH430 mm	2017-09-18 →	1
8	SP1645331	Contour adjustable padded back upholstery Black Bimaterial 3 Straps SW605 x BH430 mm	2017-09-18 →	1
9	SP1642377	Contour adjustable padded back upholstery Black Bimaterial 4 Straps SW380 x BH510 mm	2017-09-18 →	1
10	SP1642378	Contour adjustable padded back upholstery Black Bimaterial 4 Straps SW405 x BH510 mm	2017-09-18 →	1
11	SP1642379	Contour adjustable padded back upholstery Black Bimaterial 4 Straps SW430 x BH510 mm	2017-09-18 →	1
12	SP1642380	Contour adjustable padded back upholstery Black Bimaterial 4 Straps SW455 x BH510 mm	2017-09-18 →	1
13	SP1642381	Contour adjustable padded back upholstery Black Bimaterial 4 Straps SW480 x BH510 mm	2017-09-18 →	1
14	SP1642382	Contour adjustable padded back upholstery Black Bimaterial 4 Straps SW505 x BH510 mm	2017-09-18 →	1
15	SP1639023	Shapped cover black bimaterial SW380 SH430	2017-09-18 →	1
16	SP1639024	Shapped cover black bimaterial SW405 SH430	2017-09-18 →	1
17	SP1639025	Shapped cover black bimaterial SW430 SH430	2017-09-18 →	1
18	SP1639026	Shapped cover black bimaterial SW455 SH430	2017-09-18 →	1
19	SP1639027	Shapped cover black bimaterial SW480 SH430	2017-09-18 →	1
20	SP1639028	Shapped cover black bimaterial SW505 SH430	2017-09-18 →	1
21	SP1639055	Shapped cover black bimaterial SW555 SH430	2017-09-18 →	1

## Contour adjustable Bimaterial padded back upholstery Black:

**2017.09.18 =>**

Pos.	Part number	Description	Valid from → until	Qty
22	SP1639056	Shapped cover black bimaterial SW605 SH430	2017-09-18 →	1
23	SP1639057	Shapped cover black bimaterial SW380 SH510	2017-09-18 →	1
24	SP1639058	Shapped cover black bimaterial SW405 SH510	2017-09-18 →	1
25	SP1639059	Shapped cover black bimaterial SW430 SH510	2017-09-18 →	1
26	SP1639060	Shapped cover black bimaterial SW455 SH510	2017-09-18 →	1
27	SP1639061	Shapped cover black bimaterial SW480 SH510	2017-09-18 →	1
28	SP1639062	Shapped cover black bimaterial SW505 SH510	2017-09-18 →	1
29	1428603	Screw Tfb 4,8x19 A2r Tx25 DIN7983	2017-09-18 →	2

## Contour adjustable Bimaterial padded back upholstery



Pos.	Part number	Description	Valid from → until	Qty
1	1553480	Contour adjustable padded back upholstery Bimaterial complete 3 Straps SW380 x BH430 mm <i>[CE_0478][CK_0368]</i>		1
2	1553481	Contour adjustable padded back upholstery Bimaterial complete 3 Straps SW405 x BH430 mm <i>[CE_0478][CK_0368]</i>		1
3	1553482	Contour adjustable padded back upholstery Bimaterial complete 3 Straps SW430 x BH430 mm <i>[CE_0478][CK_0368]</i>		1
4	1553483	Contour adjustable padded back upholstery Bimaterial complete 3 Straps SW455 x BH430 mm <i>[CE_0478][CK_0368]</i>		1
5	1553505	Contour adjustable padded back upholstery Bimaterial complete 3 Straps SW480 x BH430 mm <i>[CE_0478][CK_0368]</i>		1
6	1553545	Contour adjustable padded back upholstery Bimaterial complete 3 Straps SW505 x BH430 mm <i>[CE_0478][CK_0368]</i>		1
7	1553549	Contour adjustable padded back upholstery Bimaterial complete 4 Straps SW380 x BH510 mm <i>[CE_0478][CK_0368]</i>		1
8	1553550	Contour adjustable padded back upholstery Bimaterial complete 4 Straps SW405 x BH510 mm <i>[CE_0478][CK_0368]</i>		1
9	1553551	Contour adjustable padded back upholstery Bimaterial complete 4 Straps SW430 x BH510 mm <i>[CE_0478][CK_0368]</i>		1
10	1553552	Contour adjustable padded back upholstery Bimaterial complete 4 Straps SW455 x BH510 mm <i>[CE_0478][CK_0368]</i>		1
11	1553562	Contour adjustable padded back upholstery Bimaterial complete 4 Straps SW480 x BH510 mm <i>[CE_0478][CK_0368]</i>		1
12	1553563	Contour adjustable padded back upholstery Bimaterial complete 4 Straps SW505 x BH510 mm <i>[CE_0478][CK_0368]</i>		1
13	1544272	Shapped cover Bimat�riel ActionNG SW380 mm		1
14	1544273	Shapped cover Bimat�riel ActionNG SW405 mm		1

**Contour adjustable Bimaterial padded back upholstery**

Pos.	Part number	Description	Valid from → until	Qty
15	1544274	Shapped cover Bimat�rial ActionNG SW430 mm		1
16	1544275	Shapped cover Bimat�rial ActionNG SW455 mm		1
17	1544276	Shapped cover Bimat�rial ActionNG SW480 mm		1
18	1544277	Shapped cover Bimat�rial ActionNG SW505 mm		1
19	1428603	Screw Tfb 4,8x19 A2r Tx25 DIN7983		2

## Contour adjustable padded back upholstery

	Action 3NG			Action 4NG		
	BH350	BH430	BH510	BH350	BH430	BH510
SW380	1	1	9	1	1	9
SW405	2	2	10	2	2	10
SW430	3	3	11	3	3	11
SW455	4	4	12	4	4	12
SW480	5	5	13	5	5	13
SW505	6	6	14	-	6	14
SW555	-	-	-	-	7	15
SW605	-	-	-	-	8	16

	Action 3NG	Action 4NG
SW380	17	17
SW405	18	18
SW430	19	19
SW455	20	20
SW480	21	21
SW505	22	22
SW555	-	23
SW605	-	24

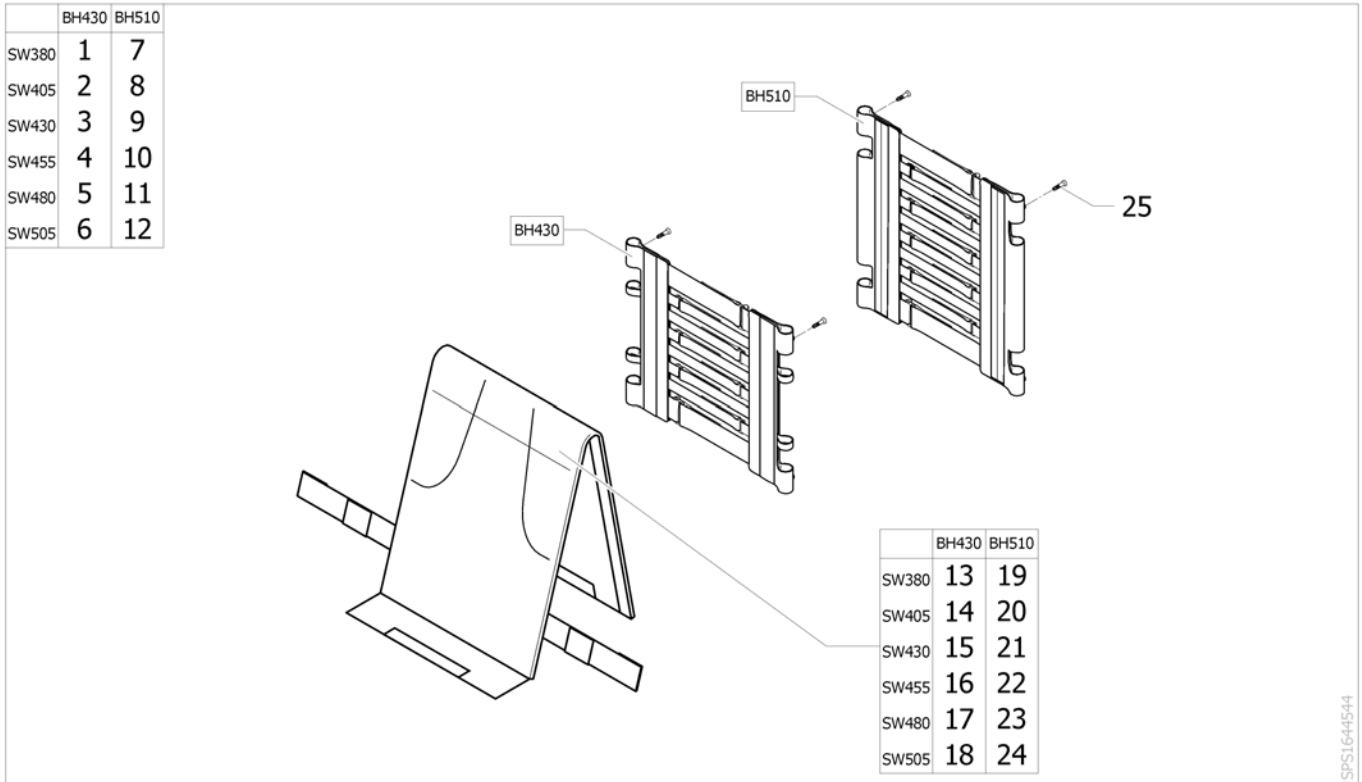
ISPS1535388

Pos.	Part number	Description	Valid from → until	Qty
1	1532667	Contour adjustable padded back upholstery complete 3 Straps SW380 x BH430 mm <i>[CK_0369]</i>		1
2	1532686	Contour adjustable padded back upholstery complete 3 Straps SW405 x BH430 mm <i>[CK_0369]</i>		1
3	1532687	Contour adjustable padded back upholstery complete 3 Straps SW430 x BH430 mm <i>[CK_0369]</i>		1
4	1532779	Contour adjustable padded back upholstery complete 3 Straps SW455 x BH430 mm <i>[CK_0369]</i>		1
5	1532780	Contour adjustable padded back upholstery complete 3 Straps SW480 x BH430 mm <i>[CK_0369]</i>		1
6	1532781	Contour adjustable padded back upholstery complete 3 Straps SW505 x BH430 mm <i>[CK_0369]</i>		1
7	1532782	Contour adjustable padded back upholstery complete 3 Straps SW555 x BH430 mm <i>[CK_0369]</i>		1
8	1532783	Contour adjustable padded back upholstery complete 3 Straps SW605 x BH430 mm <i>[CK_0369]</i>		1
9	1532784	Contour adjustable padded back upholstery complete 4 Straps SW380 x BH510 mm <i>[CK_0369]</i>		1
10	1532785	Contour adjustable padded back upholstery complete 4 Straps SW405 x BH510 mm <i>[CK_0369]</i>		1
11	1532786	Contour adjustable padded back upholstery complete 4 Straps SW430 x BH510 mm <i>[CK_0369]</i>		1
12	1532787	Contour adjustable padded back upholstery complete 4 Straps SW455 x BH510 mm <i>[CK_0369]</i>		1

**Contour adjustable padded back upholstery**

Pos.	Part number	Description	Valid from → until	Qty
13	1532788	Contour adjustable padded back upholstery complete 4 Straps SW480 x BH510 mm <i>[CK_0369]</i>		1
14	1532789	Contour adjustable padded back upholstery complete 4 Straps SW505 x BH510 mm <i>[CK_0369]</i>		1
15	1532790	Contour adjustable padded back upholstery complete 4 Straps SW555 x BH510 mm <i>[CK_0369]</i>		1
16	1532791	Contour adjustable padded back upholstery complete 4 Straps SW605 x BH510 mm <i>[CK_0369]</i>		1
17	1530914	Shapped cover Action NG SW380 mm		1
18	1530915	Shapped cover Action NG SW405 mm		1
19	1531053	Shapped cover Action NG SW430 mm		1
20	1531054	Shapped cover Action NG SW455 mm		1
21	1531055	Shapped cover Action NG SW480 mm		1
22	1531056	Shapped cover Action NG SW505 mm		1
23	1531074	Shapped cover Action NG SW555 mm		1
24	1531075	Shapped cover Action NG SW605 mm		1
25	1428603	Screw Tfb 4,8x19 A2r Tx25 DIN7983 <i>Replace 0029-40005</i>		2

# Contour adjust Bimaterial nylon type back upholstery Black: 2017.09.18



SPS1644544

Pos.	Part number	Description	Valid from → until	Qty
1	SP1642383	Contour adjustable nylon type back upholstery Black Bimaterial 8 Straps 3 Loops SW380 x BH430 mm	2017-09-18 →	1
2	SP1642384	Contour adjustable nylon type back upholstery Black Bimaterial 8 Straps 3 Loops SW405 x BH430 mm	2017-09-18 →	1
3	SP1642385	Contour adjustable nylon type back upholstery Black Bimaterial 8 Straps 3 Loops SW430 x BH430 mm	2017-09-18 →	1
4	SP1642386	Contour adjustable nylon type back upholstery Black Bimaterial 8 Straps 3 Loops SW455 x BH430 mm	2017-09-18 →	1
5	SP1642387	Contour adjustable nylon type back upholstery Black Bimaterial 8 Straps 3 Loops SW480 x BH430 mm	2017-09-18 →	1
6	SP1642388	Contour adjustable nylon type back upholstery Black Bimaterial 8 Straps 3 Loops SW505 x BH430 mm	2017-09-18 →	1
7	SP1642389	Contour adjustable nylon type back upholstery Black Bimaterial 10 Straps 3 Loops SW380 x BH510 mm	2017-09-18 →	1
8	SP1642390	Contour adjustable nylon type back upholstery Black Bimaterial 10 Straps 3 Loops SW405 x BH510 mm	2017-09-18 →	1
9	SP1642391	Contour adjustable nylon type back upholstery Black Bimaterial 10 Straps 3 Loops SW430 x BH510 mm	2017-09-18 →	1
10	SP1642392	Contour adjustable nylon type back upholstery Black Bimaterial 10 Straps 3 Loops SW455 x BH510 mm	2017-09-18 →	1
11	SP1642393	Contour adjustable nylon type back upholstery Black Bimaterial 10 Straps 3 Loops SW480 x BH510 mm	2017-09-18 →	1
12	SP1642394	Contour adjustable nylon type back upholstery Black Bimaterial 10 Straps 3 Loops SW505 x BH510 mm	2017-09-18 →	1
13	SP1639023	Shapped cover black bimaterial SW380 SH430	2017-09-18 →	1
14	SP1639024	Shapped cover black bimaterial SW405 SH430	2017-09-18 →	1
15	SP1639025	Shapped cover black bimaterial SW430 SH430	2017-09-18 →	1
16	SP1639026	Shapped cover black bimaterial SW455 SH430	2017-09-18 →	1
17	SP1639027	Shapped cover black bimaterial SW480 SH430	2017-09-18 →	1
18	SP1639028	Shapped cover black bimaterial SW505 SH430	2017-09-18 →	1
19	SP1639057	Shapped cover black bimaterial SW380 SH510	2017-09-18 →	1
20	SP1639058	Shapped cover black bimaterial SW405 SH510	2017-09-18 →	1
21	SP1639059	Shapped cover black bimaterial SW430 SH510	2017-09-18 →	1
22	SP1639060	Shapped cover black bimaterial SW455 SH510	2017-09-18 →	1

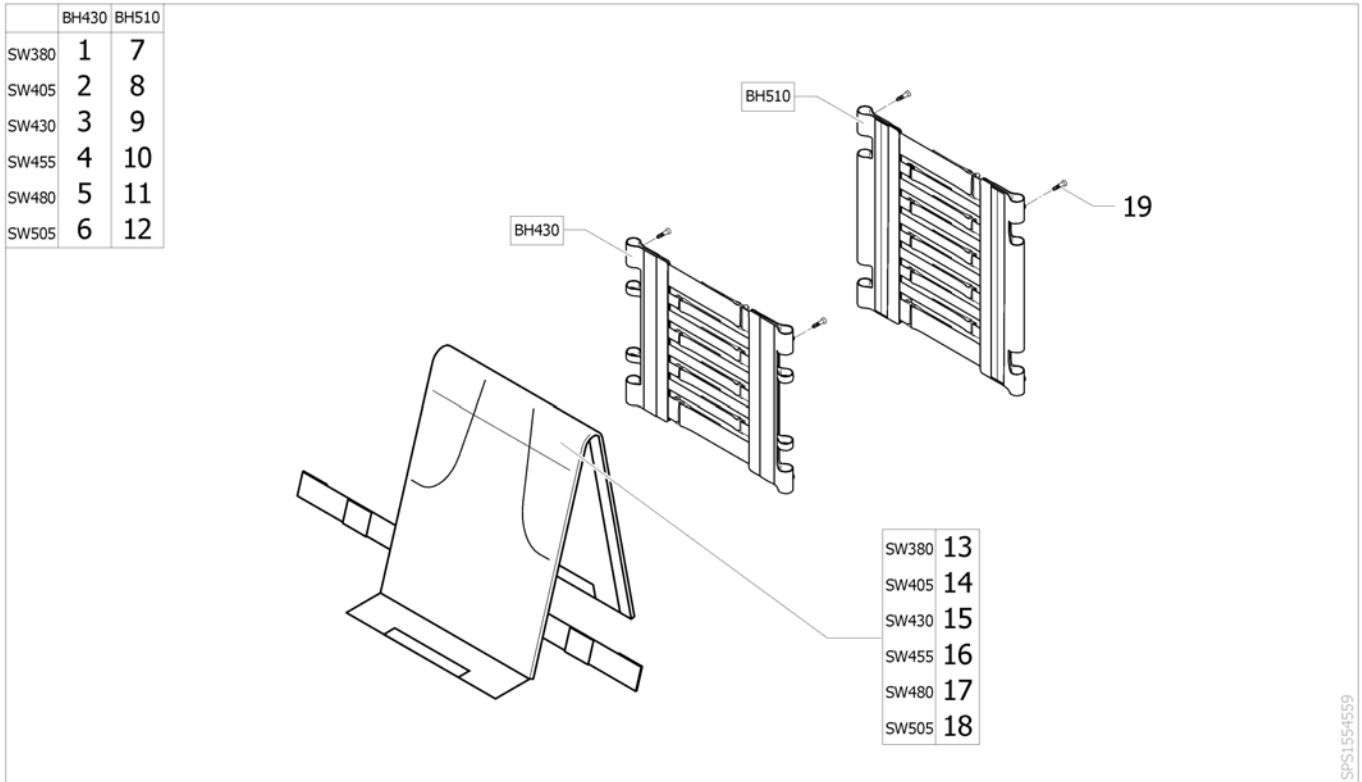
## Contour adjust Bimaterial nylon type back upholstery Black: 2017.09.18



Pos.	Part number	Description	Valid from → until	Qty
23	SP1639061	Shapped cover black bimaterial SW480 SH510	2017-09-18 →	1
24	SP1639062	Shapped cover black bimaterial SW505 SH510	2017-09-18 →	1
25	1428603	Screw Tfb 4,8x19 A2r Tx25 DIN7983	2017-09-18 →	2



# Contour adjustable Bimaterial nylon type back upholstery



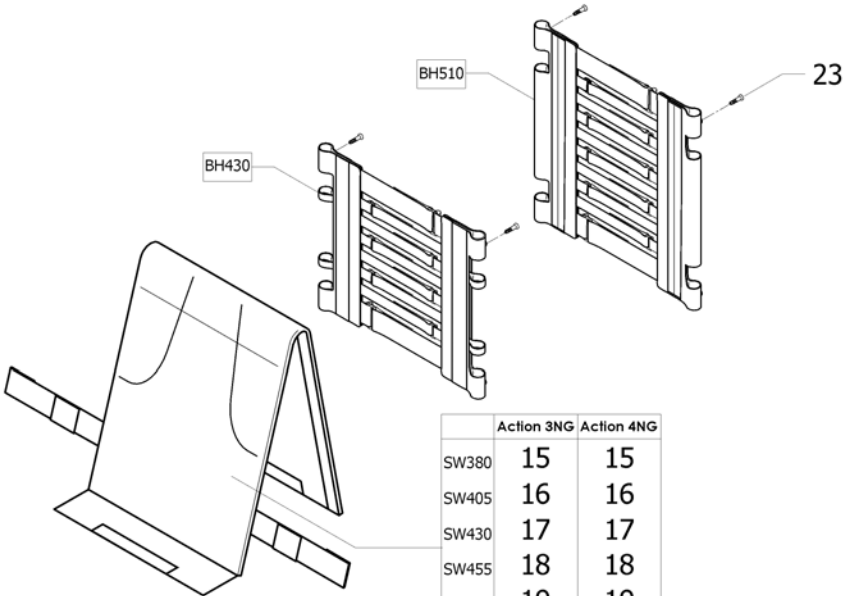
Pos.	Part number	Description	Valid from → until	Qty
1	1553566	Contour adjustable nylon type back upholstery Bimaterial complete 8 Straps 4 Loops SW380 x BH430 mm <i>[CE_0481][CK_0375]</i>		1
2	1553567	Contour adjustable nylon type back upholstery Bimaterial complete 8 Straps 4 Loops SW405 x BH430 mm <i>[CE_0481][CK_0375]</i>		1
3	1553568	Contour adjustable nylon type back upholstery Bimaterial complete 8 Straps 4 Loops SW430 x BH430 mm <i>[CE_0481][CK_0375]</i>		1
4	1553569	Contour adjustable nylon type back upholstery Bimaterial complete 8 Straps 4 Loops SW455 x BH430 mm <i>[CE_0481][CK_0375]</i>		1
5	1553570	Contour adjustable nylon type back upholstery Bimaterial complete 8 Straps 4 Loops SW480 x BH430 mm <i>[CE_0481][CK_0375]</i>		1
6	1553571	Contour adjustable nylon type back upholstery Bimaterial complete 8 Straps 4 Loops SW505 x BH430 mm <i>[CE_0481][CK_0375]</i>		1
7	1553588	Contour adjustable nylon type back upholstery Bimaterial complete 10 Straps 3 Loops SW380 x BH510 mm <i>[CE_0481][CK_0375]</i>		1
8	1553589	Contour adjustable nylon type back upholstery Bimaterial complete 10 Straps 3 Loops SW405 x BH510 mm <i>[CE_0481][CK_0375]</i>		1
9	1553590	Contour adjustable nylon type back upholstery Bimaterial complete 10 Straps 3 Loops SW430 x BH510 mm <i>[CE_0481][CK_0375]</i>		1
10	1553679	Contour adjustable nylon type back upholstery Bimaterial complete 10 Straps 3 Loops SW455 x BH510 mm <i>[CE_0481][CK_0375]</i>		1
11	1553680	Contour adjustable nylon type back upholstery Bimaterial complete 10 Straps 3 Loops SW480 x BH510 mm <i>[CE_0481][CK_0375]</i>		1
12	1553681	Contour adjustable nylon type back upholstery Bimaterial complete 10 Straps 3 Loops SW505 x BH510 mm <i>[CE_0481][CK_0375]</i>		1
13	1544272	Shapped cover Bimaterial ActionNG SW380 mm		1
14	1544273	Shapped cover Bimaterial ActionNG SW405 mm		1

**Contour adjustable Bimaterial nylon type back upholstery**

Pos.	Part number	Description	Valid from → until	Qty
15	1544274	Shapped cover Bimat�rial ActionNG SW430 mm		1
16	1544275	Shapped cover Bimat�rial ActionNG SW455 mm		1
17	1544276	Shapped cover Bimat�rial ActionNG SW480 mm		1
18	1544277	Shapped cover Bimat�rial ActionNG SW505 mm		1
19	1428603	Screw Tfb 4,8x19 A2r Tx25 DIN7983		2

## Contour adjustable nylon type back upholstery

	Action 3NG		Action 4NG	
	BH430	BH510	BH430	BH510
SW380	1	9	1	9
SW405	2	10	2	10
SW430	3	11	3	11
SW455	4	12	4	12
SW480	5	13	5	13
SW505	6	14	6	14
SW555	-	-	7	-
SW605	-	-	8	-



	Action 3NG	Action 4NG
SW380	15	15
SW405	16	16
SW430	17	17
SW455	18	18
SW480	19	19
SW505	20	20
SW555	-	21
SW605	-	22

SPS1535389

Pos.	Part number	Description	Valid from → until	Qty
1	1533860	Contour adjustable nylon type back upholstery complete 8 Straps 4 Loops SW380 x BH430 mm <i>[CK_0370]</i>		1
2	1533861	Contour adjustable nylon type back upholstery complete 8 Straps 4 Loops SW405 x BH430 mm <i>[CK_0370]</i>		1
3	1533862	Contour adjustable nylon type back upholstery complete 8 Straps 4 Loops SW430 x BH430 mm <i>[CK_0370]</i>		1
4	1533863	Contour adjustable nylon type back upholstery complete 8 Straps 4 Loops SW455 x BH430 mm <i>[CK_0370]</i>		1
5	1533864	Contour adjustable nylon type back upholstery complete 8 Straps 4 Loops SW480 x BH430 mm <i>[CK_0370]</i>		1
6	1533865	Contour adjustable nylon type back upholstery complete 8 Straps 4 Loops SW505 x BH430 mm <i>[CK_0370]</i>		1
7	1530782	Contour adjustable nylon type back upholstery complete 8 Straps 4 Loops SW555 x BH430 mm <i>[CK_0370]</i>		1
8	1530783	Contour adjustable nylon type back upholstery complete 8 Straps 4 Loops SW605 x BH430 mm <i>[CK_0370]</i>		1
9	1533866	Contour adjustable nylon type back upholstery complete 10 Straps 3 Loops SW380 x BH510 mm <i>[CK_0370]</i>		1
10	1533867	Contour adjustable nylon type back upholstery complete 10 Straps 3 Loops SW405 x BH510 mm <i>[CK_0370]</i>		1
11	1533868	Contour adjustable nylon type back upholstery complete 10 Straps 3 Loops SW430 x BH510 mm <i>[CK_0370]</i>		1
12	1533869	Contour adjustable nylon type back upholstery complete 10 Straps 3 Loops SW455 x BH510 mm <i>[CK_0370]</i>		1

**Contour adjustable nylon type back upholstery**

Pos.	Part number	Description	Valid from → until	Qty
13	1533870	Contour adjustable nylon type back upholstery complete 10 Straps 3 Loops SW480 x BH510 mm <i>[CK_0370]</i>		1
14	1533871	Contour adjustable nylon type back upholstery complete 10 Straps 3 Loops SW505 x BH510 mm <i>[CK_0370]</i>		1
15	1530914	Shapped cover Action NG SW380 mm		1
16	1530915	Shapped cover Action NG SW405 mm		1
17	1531053	Shapped cover Action NG SW430 mm		1
18	1531054	Shapped cover Action NG SW455 mm		1
19	1531055	Shapped cover Action NG SW480 mm		1
20	1531056	Shapped cover Action NG SW505 mm		1
21	1531074	Shapped cover Action NG SW555 mm		1
22	1531075	Shapped cover Action NG SW605 mm		1
23	1428603	Screw Tfb 4,8x19 A2r Tx25 DIN7983 <i>Replace 0029-40005</i>		2

## Contour adjustable Bimaterial padded back upholstery Black: 2017.09.18 =>

	Action 3NG		Action 4NG		
	BH300 BH350	BH375 BH450	BH300 BH350	BH375 BH450	BH300 BH350
SW380	1	7	1	7	-
SW405	2	8	2	8	-
SW430	3	9	3	9	-
SW455	4	10	4	10	-
SW480	5	11	5	11	-
SW505	6	12	-	-	13*
SW555	-	-	-	-	14*
SW605	-	-	-	-	15*

	Action 3NG		Action 4NG	
	BH430	BH510	BH430	BH510
SW380	16	22	16	22
SW405	17	23	17	23
SW430	18	24	18	24
SW455	19	25	19	25
SW480	20	26	20	26
SW505	21	27	21	27
SW555	-	-	28	-
SW605	-	-	29	-

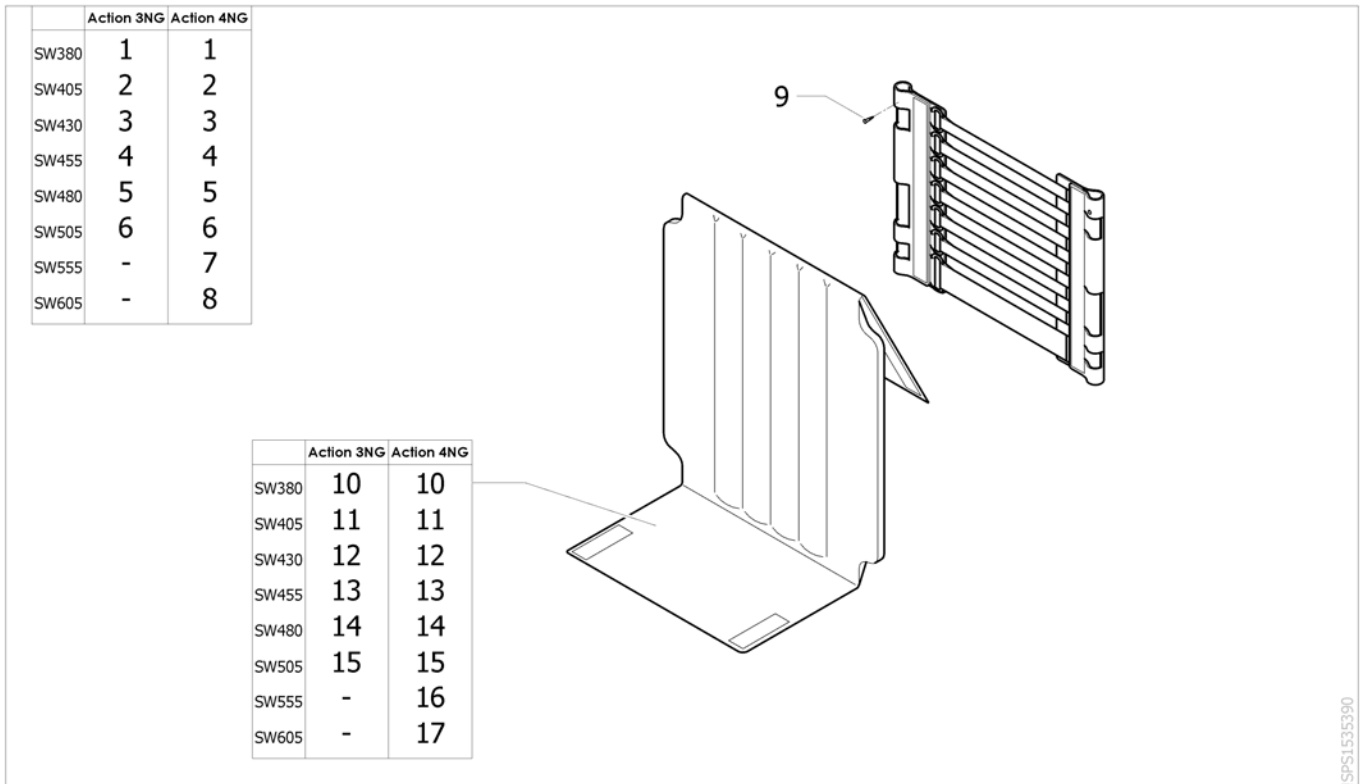
Pos.	Part number	Description	Valid from → until	Qty
1	SP1645807	Backrest upholstery adjustable Black,low,SW380mm, fixed & integrated pushhandle	2017-09-18 →	1
2	SP1645853	Backrest upholstery adjustable Black,low,SW405mm, fixed & integrated pushhandle	2017-09-18 →	1
3	SP1645854	Backrest upholstery adjustable Black,low,SW430mm, fixed & integrated pushhandle	2017-09-18 →	1
4	SP1645855	Backrest upholstery adjustable Black,low,SW455mm, fixed & integrated pushhandle	2017-09-18 →	1
5	SP1645856	Backrest upholstery adjustable Black,low,SW480mm, fixed & integrated pushhandle	2017-09-18 →	1
6	SP1645857	Backrest upholstery adjustable Black,low,SW505mm, fixed & integrated pushhandle	2017-09-18 →	1
7	SP1645858	Backrest upholstery adjustable Black,medium,SW380mm, fixed & integrated pushhandle	2017-09-18 →	1
8	SP1645859	Backrest upholstery adjustable Black,medium,SW405mm, fixed & integrated pushhandle	2017-09-18 →	1
9	SP1645860	Backrest upholstery adjustable Black,medium,SW430mm, fixed & integrated pushhandle	2017-09-18 →	1
10	SP1645861	Backrest upholstery adjustable Black,medium,SW455mm, fixed & integrated pushhandle	2017-09-18 →	1
11	SP1645862	Backrest upholstery adjustable Black,medium,SW480mm, fixed & integrated pushhandle	2017-09-18 →	1
12	SP1645863	Backrest upholstery adjustable Black,medium,SW505mm, fixed & integrated pushhandle	2017-09-18 →	1
13	SP1642376	Contour adjustable padded back upholstery Black Bimaterial 3 Straps SW505 x BH430 mm	2017-09-18 →	1
14	SP1645330	Contour adjustable padded back upholstery Black Bimaterial 3 Straps SW555 x BH430 mm	2017-09-18 →	1
15	SP1645331	Contour adjustable padded back upholstery Black Bimaterial 3 Straps SW605 x BH430 mm	2017-09-18 →	1
16	SP1639023	Shapped cover black bimaterial SW380 SH430	2017-09-18 →	1
17	SP1639024	Shapped cover black bimaterial SW405 SH430	2017-09-18 →	1
18	SP1639025	Shapped cover black bimaterial SW430 SH430	2017-09-18 →	1
19	SP1639026	Shapped cover black bimaterial SW455 SH430	2017-09-18 →	1
20	SP1639027	Shapped cover black bimaterial SW480 SH430	2017-09-18 →	1

## Contour adjustable Bimaterial padded back upholstery Black:

**2017.09.18 =>**

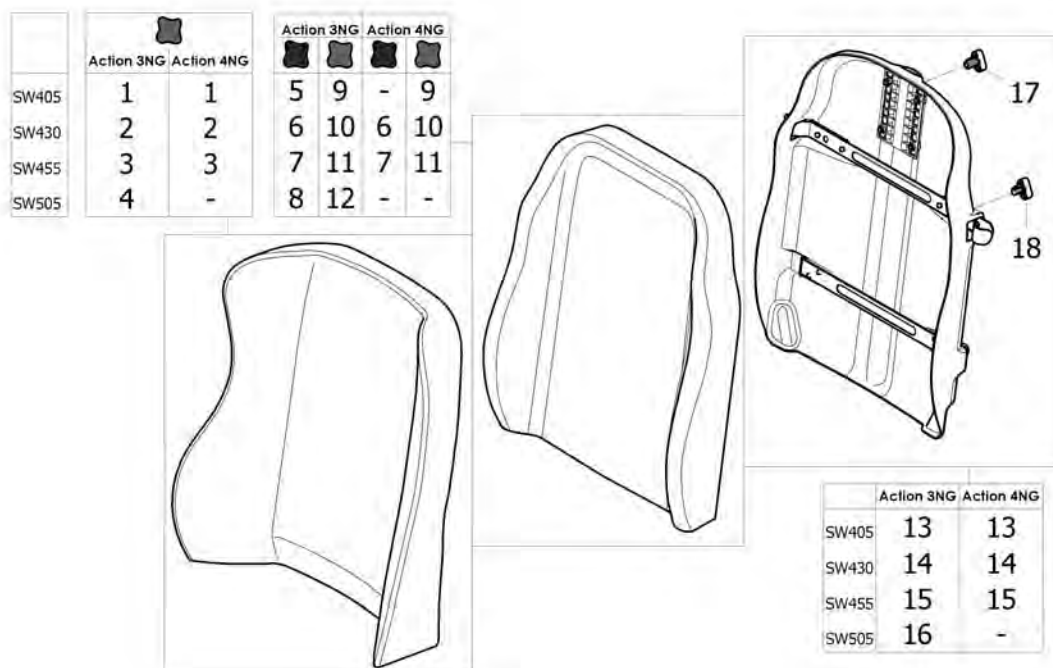
Pos.	Part number	Description	Valid from → until	Qty
21	SP1639028	Shapped cover black bimaterial SW505 SH430	2017-09-18 →	1
22	SP1639057	Shapped cover black bimaterial SW380 SH510	2017-09-18 →	1
23	SP1639058	Shapped cover black bimaterial SW405 SH510	2017-09-18 →	1
24	SP1639059	Shapped cover black bimaterial SW430 SH510	2017-09-18 →	1
25	SP1639060	Shapped cover black bimaterial SW455 SH510	2017-09-18 →	1
26	SP1639061	Shapped cover black bimaterial SW480 SH510	2017-09-18 →	1
27	SP1639062	Shapped cover black bimaterial SW505 SH510	2017-09-18 →	1
28	SP1639055	Shapped cover black bimaterial SW555 SH430	2017-09-18 →	1
29	SP1639056	Shapped cover black bimaterial SW605 SH430	2017-09-18 →	1

# Contour adjustable backrest upholstery Rea



Pos.	Part number	Description	Valid from → until	Qty
1	1449965	Adjustable Back Upholstery 7 Straps SW380 x BH430 mm (Fixed) <i>[CK_0370+CK_0300/CK_0310]</i>		1
2	1449966	Adjustable Back Upholstery 7 Straps SW405 x BH430 mm (Fixed) <i>[CK_0370+CK_0300/CK_0310]</i>		1
3	1449967	Adjustable Back Upholstery 7 Straps SW430 x BH430 mm (Fixed) <i>[CK_0370+CK_0300/CK_0310]</i>		1
4	1449968	Adjustable Back Upholstery 7 Straps SW455 x BH430 mm (Fixed) <i>[CK_0370+CK_0300/CK_0310]</i>		1
5	1449969	Adjustable Back Upholstery 7 Straps SW480 x BH430 mm (Fixed) <i>[CK_0370+CK_0300/CK_0310]</i>		1
6	1449970	Adjustable Back Upholstery 7 Straps SW505 x BH430 mm (Fixed) <i>[CK_0370+CK_0300/CK_0310]</i>		1
7	1478720	Adjustable Back Upholstery 7 Straps SW555 x BH430 mm (Fixed) <i>[CK_0370+CK_0300/CK_0310]</i>		1
8	1478721	Adjustable Back Upholstery 7 Straps SW605 x BH430 mm (Fixed) <i>[CK_0370+CK_0300/CK_0310]</i>		1
9	1428603	Screw Tfb 4,8x19 A2r Tx25 DIN7983 <i>Replace 0029-40005</i>		2
10	1540578-TR18	Cover for Backrest adjustable SW380 Jemina <i>Replace 5106739-TR18</i>		1
11	1540579-TR18	Cover for Backrest adjustable SW405 Jemina <i>Replace 5106740-TR18</i>		1
12	1540580-TR18	Cover for Backrest adjustable SW430 Jemina <i>Replace 5106741-TR18</i>		1
13	1540581-TR18	Cover for Backrest adjustable SW455 Jemina <i>Replace 5106742-TR18</i>		1
14	1540582-TR18	Cover for Backrest adjustable SW480 Jemina <i>Replace 1435523</i>		1
15	1540583-TR18	Cover for Backrest adjustable SW505 Jemina <i>Replace 5106743-TR18</i>		1
16	1540585-TR18	A4 Adjustable Back Cover SW555 mm (Fixed) <i>Replace 1478716</i>		1
17	1540586-TR18	A4 Adjustable Back Cover SW605 mm (Fixed) <i>Replace 1478717</i>		1

# Comfort upholstery



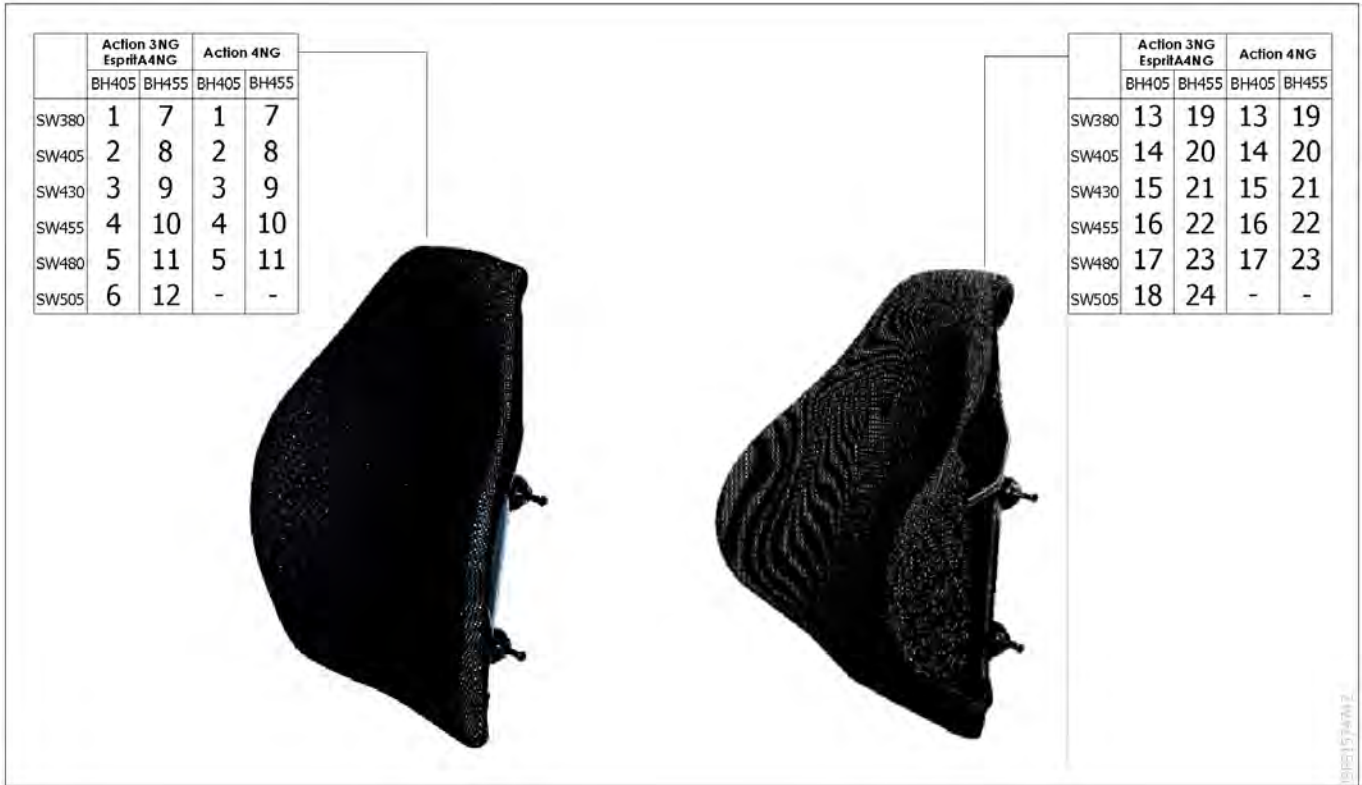
Pos.	Part number	Description	Valid from → until	Qty
1	1440951-TR26	Backrest cushion comfort Passad2 (XXS), W405 x H550 mm Dartex Black (TR26) <i>[CE_0491]</i>		1
2	1429271-TR26	Backrest cushion comfort Passad2 (XS), W440 x H550 mm, Dartex black (TR26) <i>[CE_0491]</i>		1
3	1424647-TR26	Backrest cushion comfort Passad2 (S), W470 x H550 mm, Dartex black (TR26) <i>[CE_0491]</i>		1
4	1424649-TR26	Backrest cushion comfort Passad2 (M), W520 x H550 mm, Dartex black (TR26) <i>[CE_0491]</i>		1
5	1439937-TR26	Backrest cushion comfort Laguna (XXS), W342 x H550 mm, Dartex black (TR26) <i>[CE_0495] - Replace 1431516</i>		1
6	1427118-TR26	Backrest cushion comfort Laguna (XS), W372 x H550 mm, Dartex black (TR26) <i>[CE_0495] - Replace 1420088</i>		1
7	1427119-TR26	Backrest cushion comfort Laguna (S), W402 x H550 mm, Dartex black (TR26) <i>[CE_0495] - Replace 1420089</i>		1
8	1427120-TR26	Backrest cushion comfort Laguna (M), W452 x H550 mm, Dartex black (TR26) <i>[CE_0495] - Replace 1420090</i>		1
9	1439937-TR26	Backrest cushion comfort Laguna (XXS), W342 x H550 mm, Dartex black (TR26) <i>[CE_0490]</i>		1
10	1427118-TR26	Backrest cushion comfort Laguna (XS), W372 x H550 mm, Dartex black (TR26) <i>[CE_0490]</i>		1
11	1427119-TR26	Backrest cushion comfort Laguna (S), W402 x H550 mm, Dartex black (TR26) <i>[CE_0490]</i>		1
12	1427120-TR26	Backrest cushion comfort Laguna (M), W452 x H550 mm, Dartex black (TR26) <i>[CE_0490]</i>		1
13	1437532	Laguna Backrest Shell SW405 mm		1
14	1437534	Laguna Backrest Shell SW430 mm		1



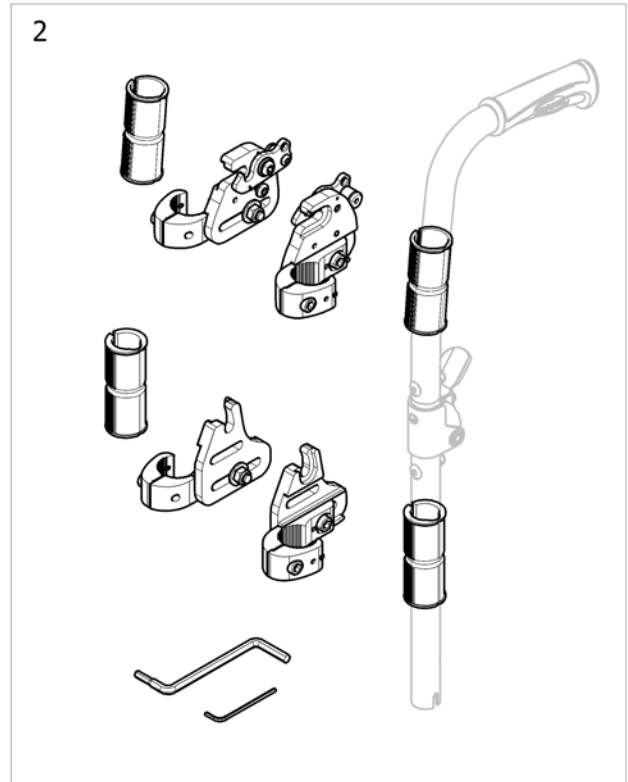
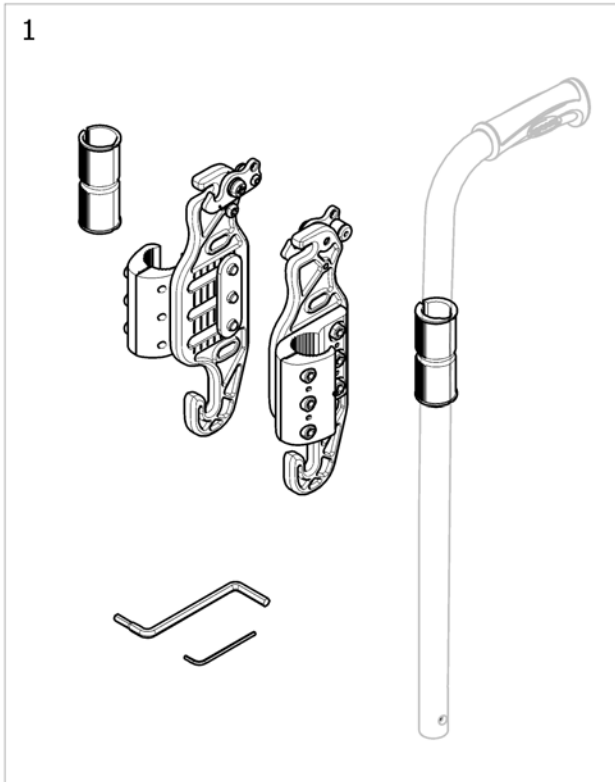
**Comfort upholstery**

Pos.	Part number	Description	Valid from → until	Qty
15	1437536	Laguna Backrest Shell SW455 mm		1
16	1437538	Laguna Backrest Shell SW505 mm		1
17	1497411	HANDWHEEL M12 LONG NECK/HEADREST <i>Replace 1444116</i>		1
18	1440943	Locking star knob		1

# Backrest upholstery MatrX



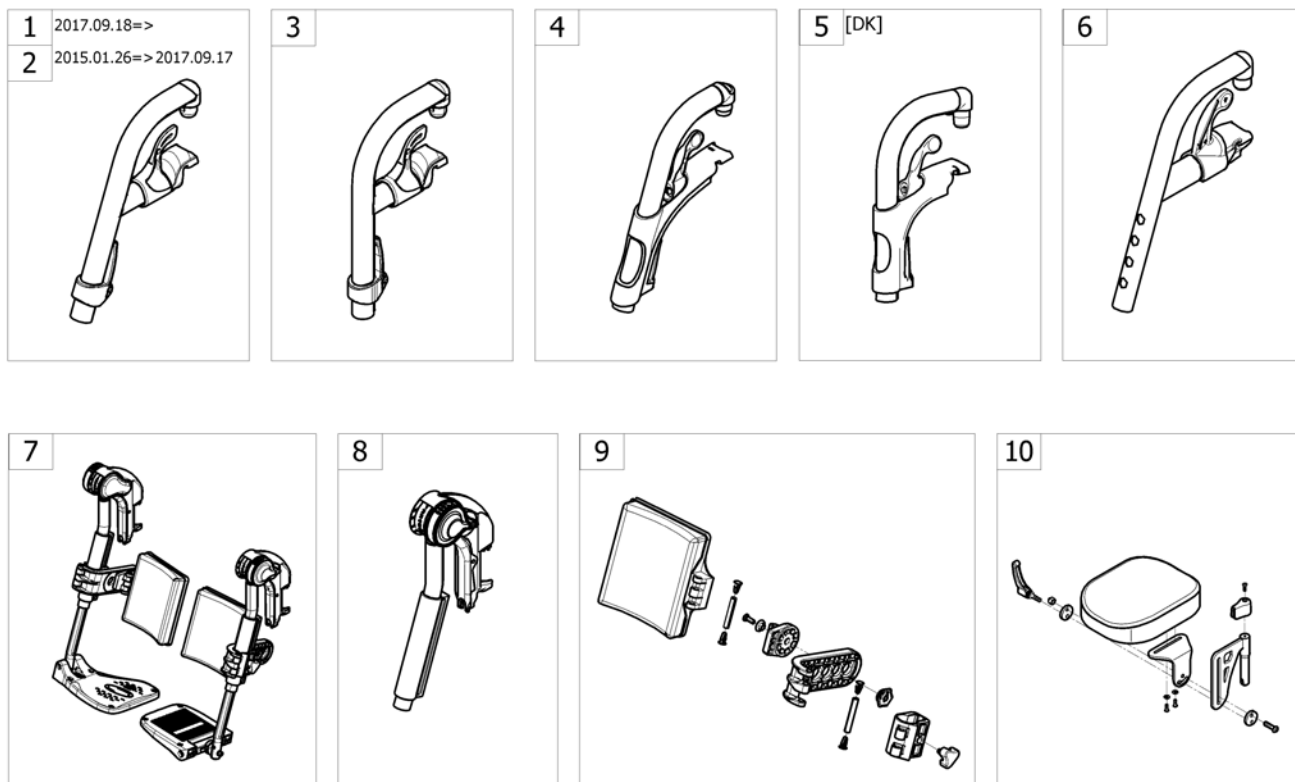
Pos.	Part number	Description	Valid from → until	Qty
1	1532093	Backrest MatrX Elite W380 x H410 mm - without hardware		1
2	1515720	Backrest MatrX Elite W410 x H410 mm - without hardware		1
3	1515722	Backrest MatrX Elite W430 x H410 mm - without hardware		1
4	1515724	Backrest MatrX Elite W360 x H410 mm - without hardware		1
5	1515726	Backrest MatrX Elite W480 x H410 mm - without hardware		1
6	1532096	Backrest MatrX Elite W510 x H410 mm - without hardware		1
7	1545100	Backrest MatrX Elite W380 x H460 mm - without hardware		1
8	1545102	Backrest MatrX Elite W410 x H460 mm - without hardware		1
9	1545105	Backrest MatrX Elite W430 x H460 mm - without hardware		1
10	1545108	Backrest MatrX Elite W460 x H460 mm - without hardware		1
11	1545111	Backrest MatrX Elite W480 x H460 mm - without hardware		1
12	1545114	Backrest MatrX Elite W510 x H460 mm - without hardware		1
13	1543509	Backrest MatrX Elite Deep W380 x H410 mm - without hardware		1
14	1543513	Backrest MatrX Elite Deep W410 x H410 mm - without hardware		1
15	1543517	Backrest MatrX Elite Deep W430 x H410 mm - without hardware		1
16	1543521	Backrest MatrX Elite Deep W460 x H410 mm - without hardware		1
17	1543525	Backrest MatrX Elite Deep W480 x H410 mm - without hardware		1
18	1543989	Backrest MatrX Elite Deep W510 x H410 mm - without hardware		1
19	1543510	Backrest MatrX Elite Deep W380 x H460 mm - without hardware		1
20	1543514	Backrest MatrX Elite Deep W410 x H460 mm - without hardware		1
21	1543518	Backrest MatrX Elite Deep W430 x H460 mm - without hardware		1
22	1543522	Backrest MatrX Elite Deep W460 x H460 mm - without hardware		1
23	1543526	Backrest MatrX Elite Deep W480 x H460 mm - without hardware		1
24	1543990	Backrest MatrX Elite Deep W510 x H460 mm - without hardware		1



ISPS1574743

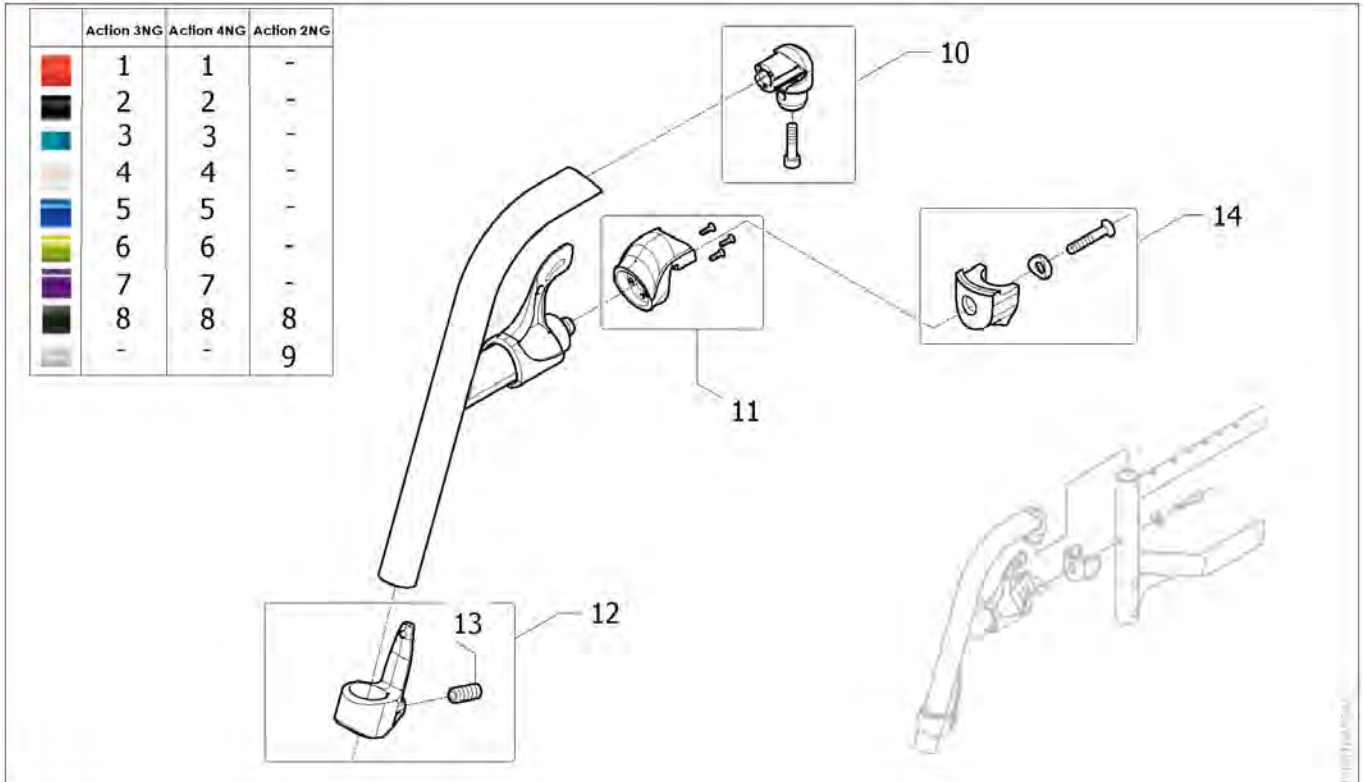
Pos.	Part number	Description	Valid from → until	Qty
1	1545275	PB Mounting Hardware for all MC Backs (pair)		1
2	1545278	Split mounting hardware suitable for all MC backs (pair)		1

# Legrests



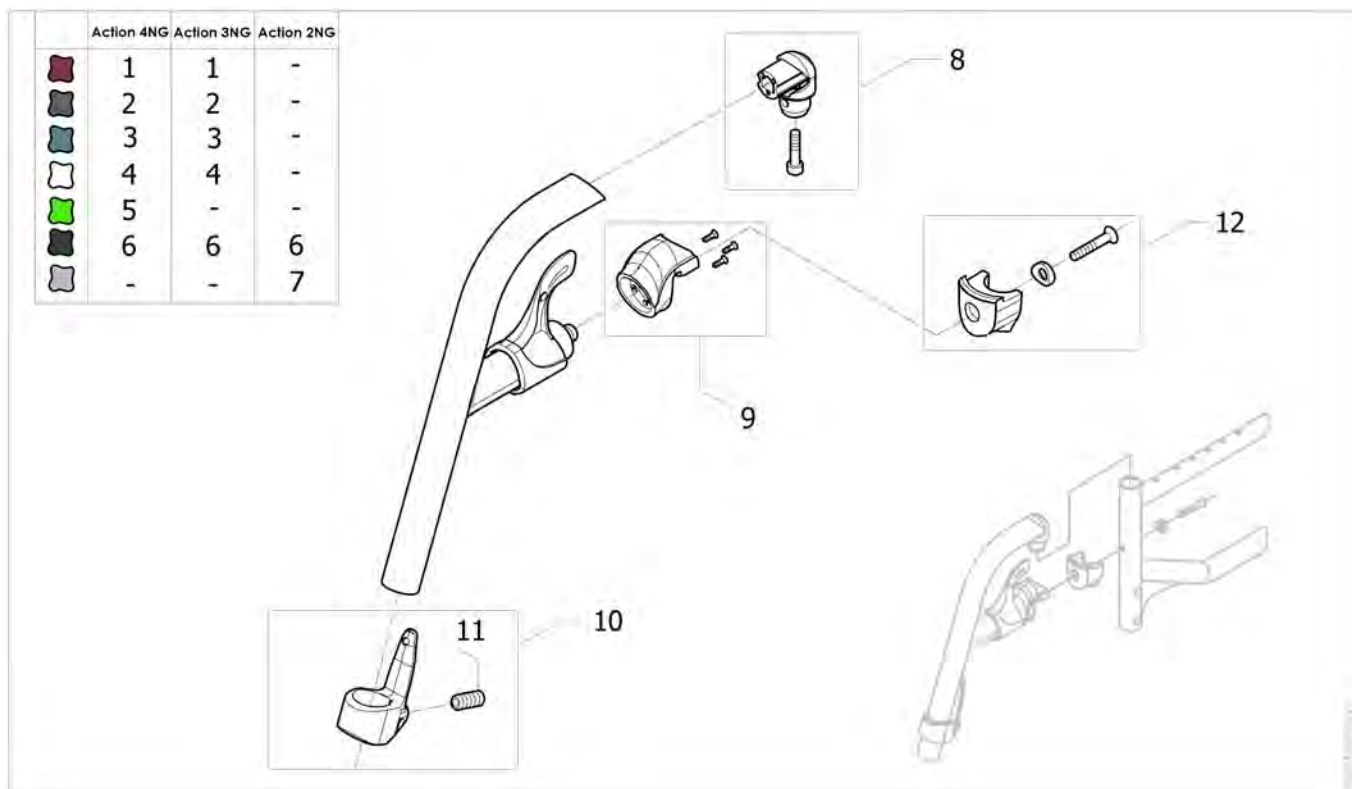
Pos.	Part number	Description	Valid from → until	Qty
1	-	Hanger fixed 80° Alu 2017.09.18 =>	2017-09-18 →	1
2	-	Hanger fixed 80° Alu 2015.01.26 => 2017.09.17		1
3	-	Hanger fixed 90° Alu 2015.01.26=>		1
4	-	Hanger fixed 80° Alu =>2015.01.25		1
5	-	Hanger fixed 90° Alu =>2015.01.25		1
6	-	Hanger fixed 80° Steel [DK]		1
7	-	Assembly Legrest with footrest [CE_0520/CE_0570]		1
8	-	Elevating legrest		1
9	-	Calf Pad		1
10	-	Amputee Legrest [CE_0545/CE_0595]		1

## Hanger fixed 80° Alu 2017.09.18 =>



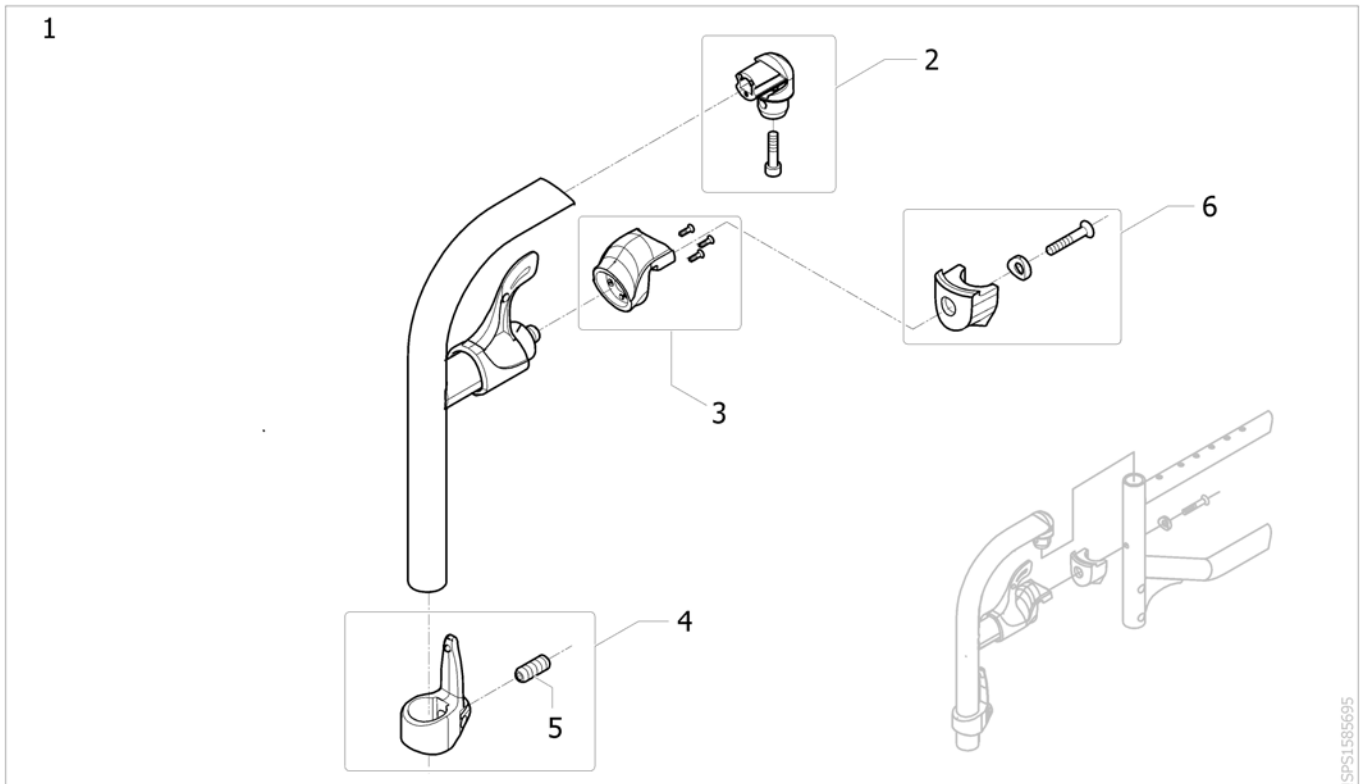
Pos.	Part number	Description	Valid from → until	Qty
1	SP1584369-0456	Swing Away 80°, attract red, complete	2017-09-18 →	2
2	SP1584369-0609	Hanger 80° Alu, Anthracite (v2015)		2
3	SP1584369-0615	Hanger 80° Alu, Slate Grey (v2015)		2
4	SP1584369-0637	Hanger 80° Alu, Pearl White (v2015)		2
5	SP1584369-0643	Hanger 80°, complete, Pop Blue (v2015)	2017-09-18 →	2
6	SP1584369-0644	Hanger 80° Alu, Electric Green (v2015)		2
7	SP1584369-0645	Hanger 80°, complete, Hypnotic Purple (v2015)	2017-09-18 →	2
8	SP1584369-0646	Hanger 80°, complete, Matt Black (v2015)	2017-09-18 →	2
9	SP1584369-0515	Hanger 80°, complete, Pearl Grey (2015)		2
10	SP1584381	Kit hanger pivot (2015)		2
11	SP1584383	Kit hanger locking nose (2015)		2
12	SP1584382	Calf strap holder + ball screw (2015)		2
13	1424571	Springscrew		2
14	SP1584380	Kit hanger locked (2015)		2

# Hanger fixed 80° Alu 2015.01.26 => 2017.09.17



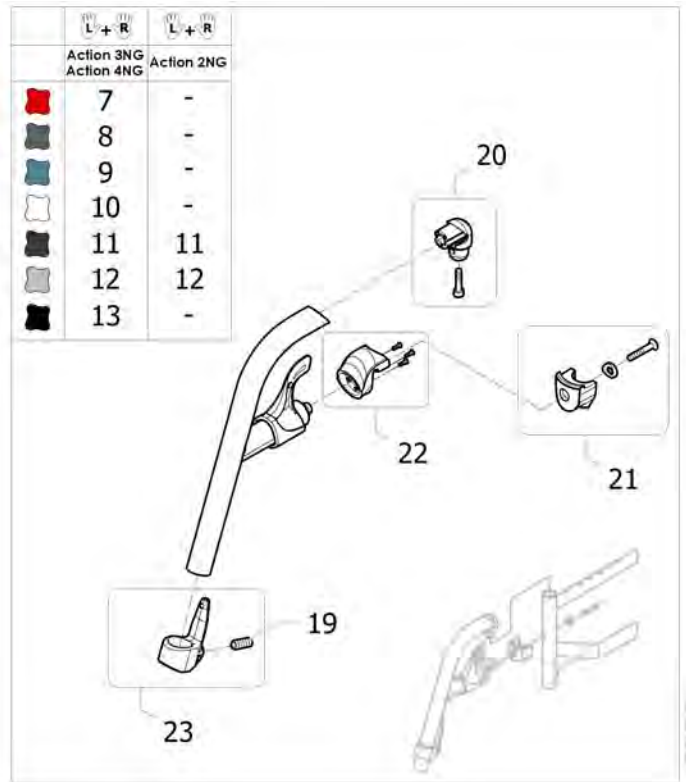
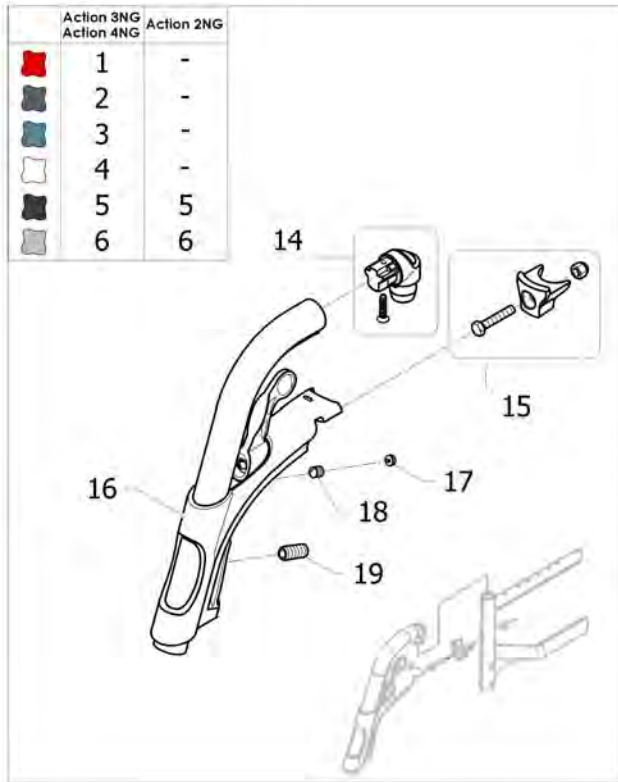
Pos.	Part number	Description	Valid from → until	Qty
1	SP1584369-0607	Hanger 80° Alu, Dark Red (v2015)		2
2	SP1584369-0615	Hanger 80° Alu, Slate Grey (v2015)		2
3	SP1584369-0617	Hanger 80° Alu, Océan Blue (v2015)		2
4	SP1584369-0637	Hanger 80° Alu, Pearl White (v2015)		2
5	SP1584369-0644	Hanger 80° Alu, Electric Green (v2015)	2016-01-01 →	2
6	SP1584369-0609	Hanger 80° Alu, Anthracite (v2015)		2
7	SP1584369-0515	Hanger 80°, complete, Pearl Grey (2015)		2
8	SP1584381	Kit hanger pivot (2015)		2
9	SP1584383	Kit hanger locking nose (2015)		2
10	SP1584382	Calf strap holder + ball screw (2015)		2
11	1424571	Springscrew		2
12	SP1584380	Kit hanger locked (2015)		2

## Hanger fixed 90° Alu 2015.01.26=>



Pos.	Part number	Description	Valid from → until	Qty
1	SP1584370-0601	Hanger Fixed 90°Black(2015 Version)		2
2	SP1584381	Kit hanger pivot (2015)		2
3	SP1584383	Kit hanger locking nose (2015)		2
4	SP1584382	Calf strap holder + ball screw (2015)		2
5	1424571	Springscrew		2
6	SP1584380	Kit hanger locked (2015)		2

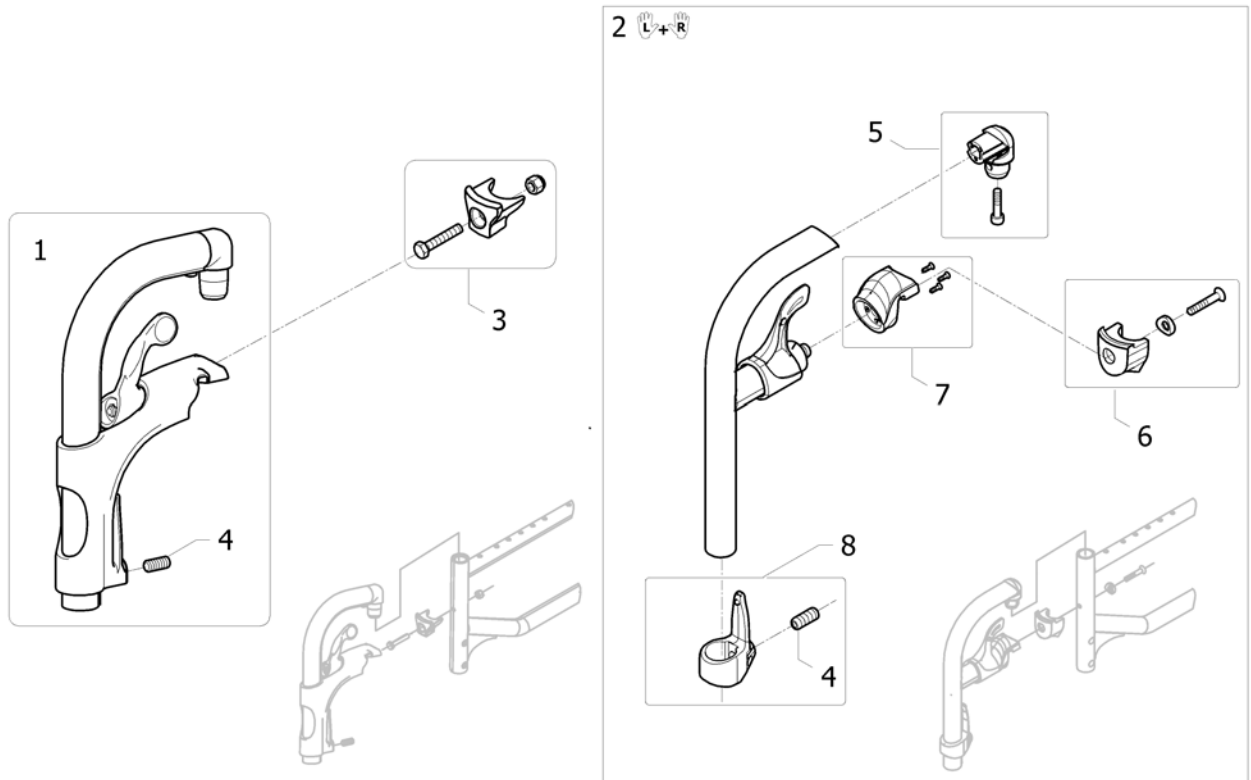
# Hanger fixed 80° Alu =>2015.01.25



Pos.	Part number	Description	Valid from → until	Qty
1	1428622-0607	Footrest hanger 80° Dark Red		2
2	1428622-0615	Footrest hanger 80° Slate Grey		2
3	1428622-0617	Footrest hanger 80° Ocean Blue		2
4	1428622-0637	Footrest hanger 80° Pearl White		2
5	1428622-0609	Footrest hanger 80° Anthracite		2
6	1428622-0515	Footrest hanger 80° Pearl Grey		2
7	SP1584502-0607	Kit Footrest hanger 80° Dark Red Pair (2015 Version)	→ 2015-01-26	1
8	SP1584502-0615	Kit Footrest hanger 80° Salte Grey Pair(2015 Version)	→ 2015-01-26	1
9	SP1584502-0617	Kit Footrest hanger 80° Océan Blue Pair(2015 Version)	→ 2015-01-26	1
10	SP1584502-0637	Kit Footrest hanger 80° Pearl White Pair(2015 Version)	→ 2015-01-26	1
11	SP1584502-0609	Kit Footrest hanger 80° Anthracite Pair (2015 Version)	→ 2015-01-26	1
12	SP1584502-0515	Kit Footrest hanger 80° Pearl Grey Pair(2015 Version)	→ 2015-01-26	1
13	SP1584502-0601	Kit Footrest hanger 80° Black Pair(2015 Version)	→ 2015-01-26	1
14	1430426	Attachment Tap, Hanger		2
15	1430427	Kit hanger locked part		2
16	1434362	Locking House Cpl, Hanger 80 Deg		2
17	1434070	Key cap Key		2
18	1424572	Stop Screw S6Ss M10x12 Din 914 Din 914/Iso 4027		2
19	1424571	Springscrew		2
20	SP1584381	Kit hanger pivot (2015)	→ 2015-01-26	2
21	SP1584380	Kit hanger locked (2015)	→ 2015-01-26	2
22	SP1584383	Kit hanger locking nose (2015)	→ 2015-01-26	2
23	SP1584382	Calf strap holder + ball screw (2015)	→ 2015-01-26	2

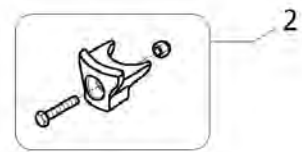
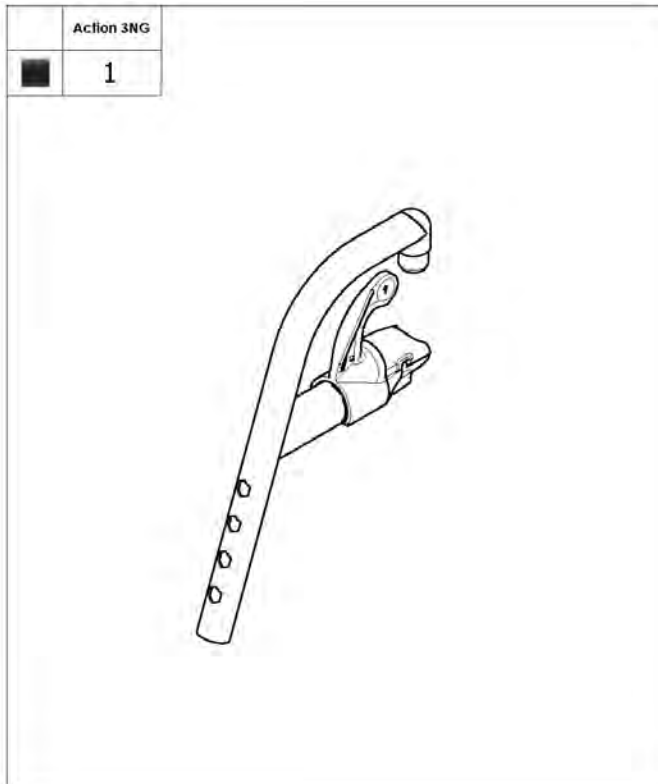


## Hanger fixed 90° Alu =>2015.01.25



Pos.	Part number	Description	Valid from → until	Qty
1	1493056-0509	HANGER FIXED 90		2
2	SP1584503-0601	Kit Footrest hanger 90° Black Pair (2015 Version)	→ 2015-01-26	1
3	1430427	Kit hanger locked part		2
4	1424571	Springscrew		2
5	SP1584381	Kit hanger pivot (2015)	→ 2015-01-26	2
6	SP1584380	Kit hanger locked (2015)	→ 2015-01-26	2
7	SP1584383	Kit hanger locking nose (2015)	→ 2015-01-26	2
8	SP1584382	Calf strap holder + ball screw (2015)	→ 2015-01-26	2

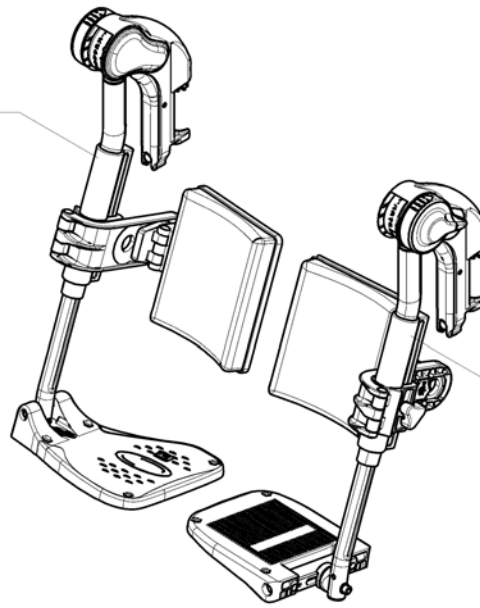
# Hanger fixed 80° Steel [DK]



Pos.	Part number	Description	Valid from → until	Qty
1	SP1606185-0653	Steel Hanger 80°, Complete, Matt Black [DK] <i>ONLY FOR DANMARK</i>		2
2	1430427	Kit hanger locked part		2

## Assembly Legrest with footrest

	Action 2NG		Action 3NG		Action 4NG	
	L	R	L	R	L	R
SW380	1	2	1	2	1	2
SW405	1	2	1	2	1	2
SW430	3	4	3	4	3	4
SW455	5	6	5	6	5	6
SW480	7	8	7	8	7	8
SW505	-	-	7	8	7	8

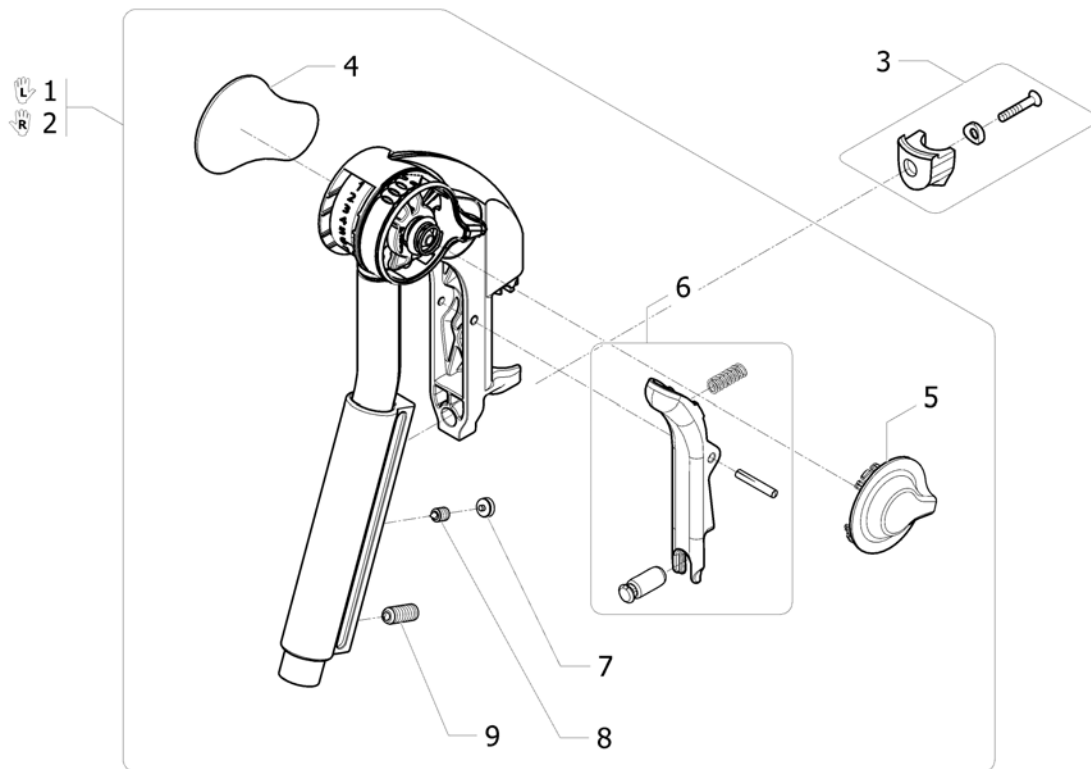


	Action 2NG		Action 3NG		Action 4NG	
	L	R	L	R	L	R
SW380	9	10	9	10	9	10
SW405	11	12	11	12	11	12
SW430	13	14	13	14	13	14
SW455	15	16	15	16	15	16
SW480	17	18	17	18	17	18
SW505	-	-	19	20	19	20
SW555	-	-	-	-	21	22
SW605	-	-	-	-	21	22

ISPS1535702

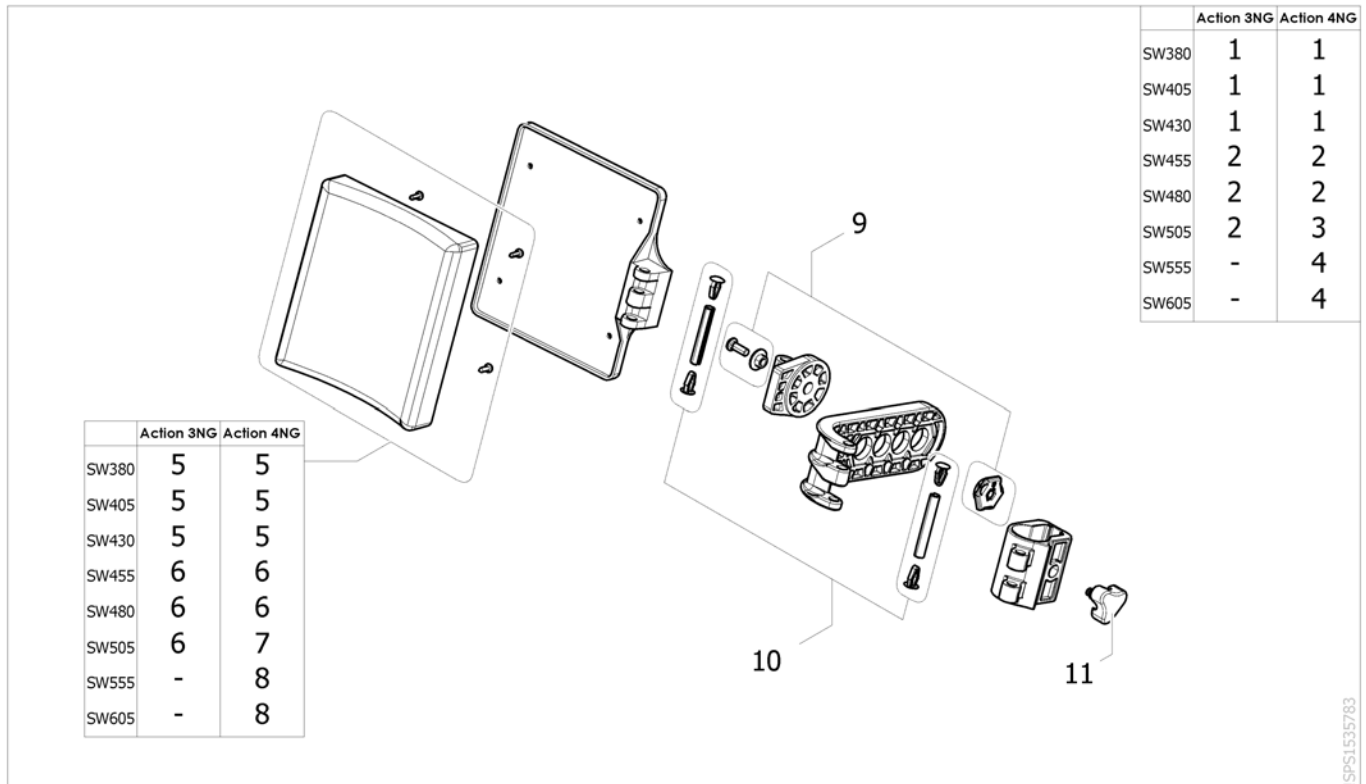
Pos.	Part number	Description	Valid from → until	Qty
1	1432974	Lh Elevating Legrest + Fixed Footplate SW380/405 mm		1
2	1432973	Rh Elevating Legrest + Fixed Footplate SW380/405 mm		1
3	1432976	Lh Elevating Legrest + Fixed Footplate SW430 mm		1
4	1432975	Rh Elevating Legrest + Fixed Footplate SW430 mm		1
5	1432978	Lh Elevating Legrest + Fixed Footplate SW455 mm		1
6	1432977	Rh Elevating Legrest + Fixed Footplate SW455 mm		1
8	1432979	Rh Elevating Legrest + Fixed Footplate SW480/505 mm		1
7	1432980	Lh Elevating Legrest + Fixed Footplate SW480/505 mm		1
9	1432982	Lh Elevating Legrest + Adjustable Footplate SW380 mm		1
10	1432981	Rh Elevating Legrest + Adjustable Footplate SW380 mm		1
11	1432984	Lh Elevating Legrest + Adjustable Footplate SW405 mm		1
12	1432983	Rh Elevating Legrest + Adjustable Footplate SW405 mm		1
13	1432986	Lh Elevating Legrest + Adjustable Footplate SW430 mm		1
14	1432985	Rh Elevating Legrest + Adjustable Footplate SW430 mm		1
15	1432948	Lh Elevating Legrest + Adjustable Footplate SW455 mm		1
16	1432947	Rh Elevating Legrest + Adjustable Footplate SW455 mm		1
17	1432964	Lh Elevating Legrest + Adjustable Footplate SW480 mm		1
18	1432949	Rh Elevating Legrest + Adjustable Footplate SW480 mm		1
19	1432971	Lh Elevating Legrest + Adjustable Footplate SW505 mm		1
20	1432965	Rh Elevating Legrest + Adjustable Footplate SW505 mm		1
21	1533603	Lh Elevating Legrest heavy + Adjustable Footplate SW555/605 mm		1
22	1533602	Rh Elevating Legrest heavy + Adjustable Footplate SW555/605 mm		1

## Elevating legrest



Pos.	Part number	Description	Valid from → until	Qty
1	1552881	Elevating legrest Lh + fixation <i>Replace 1508945</i>		1
2	1552882	Elevating legrest Rh + fixation <i>Replace 1508948</i>		1
3	SP1584380	Kit hanger locked (2015) <i>Replace 1430427</i>		2
4	1428336	Kneepad		2
5	1508943	Cap, Alu2008 Legrest		2
6	1430429	Legrest Trigger Kit		2
7	1435741	Plug lkpt 8-5,5 S		2
8	1424572	Stop Screw S6Ss M10x12 Din 914 Din 914/Iso 4027		2
9	1424571	Springscrew		2

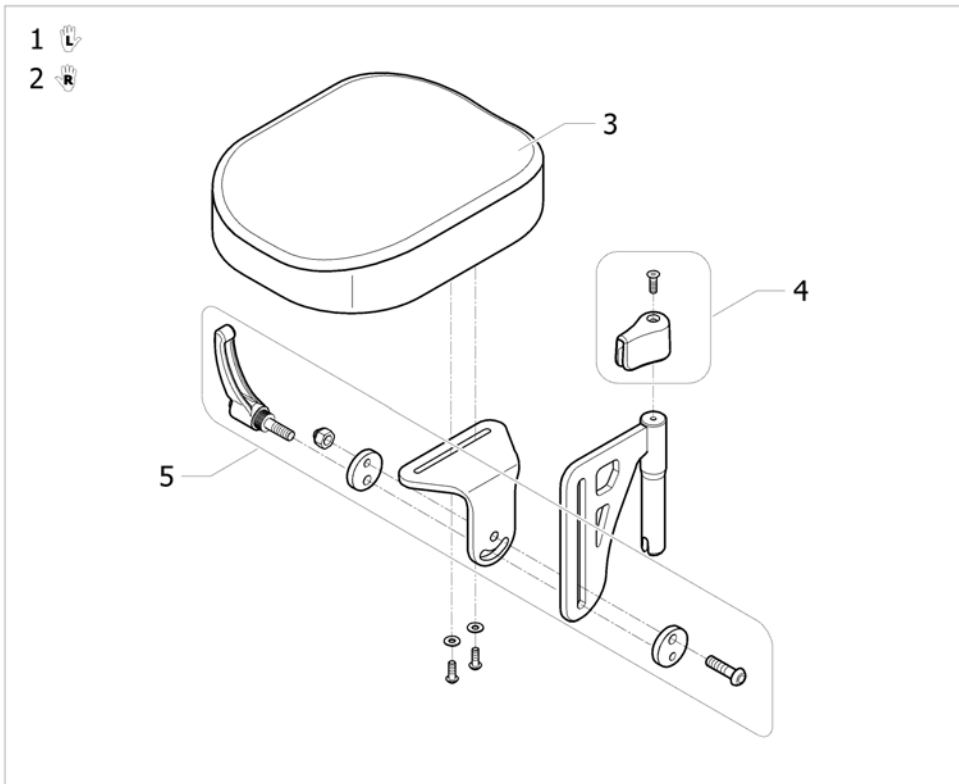
# Calf Pad



ISPS1535783

Pos.	Part number	Description	Valid from → until	Qty
1	1450932	Complete Polyurethane calf pad (cushion with support), SW380/405/430 mm		2
2	1450933	Complete Polyurethane calf pad (cushion with support), SW455/480/505 mm		2
3	1450935	Complete Dartex calf pad (cushion with support), SW480/505 mm		2
4	1450936	Complete Dartex calf pad (cushion with support), SW555/605 mm		2
5	1430430	Polyurethane calf pad cushion with fixation SW380/405/430 mm		2
6	1430431	Polyurethane calf pad cushion with fixation SW450/480/505 mm		2
7	1442646	Dartex calf pad cushion with fixation, SW480/505 mm		2
8	1532965	Dartex calf pad cushion with fixation, SW555/605 mm		2
9	1440132	Kit fixation angle adjustable calf-pad		2
10	1430432	Kit articulation pin calf pad		2
11	1440943	Locking star knob		2

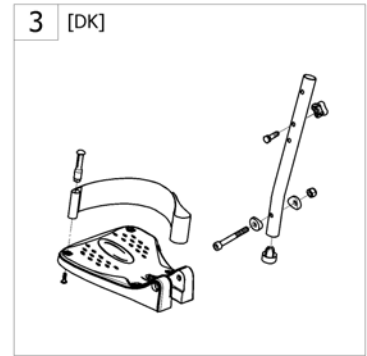
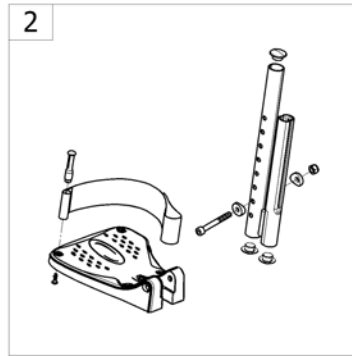
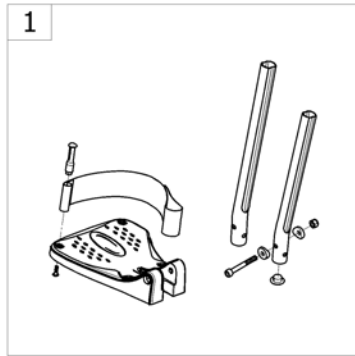
# Amputee Legrest



ISP51495897

Pos.	Part number	Description	Valid from → until	Qty
1	1442991	Legrest, Amputee, Lh		1
2	1442990	Legrest, Amputee, Rh		1
3	1497450	Cushion amputee legrest		2
4	1446556	Amputee legrest stop + fixation		2
5	1446557	Amputee legrest slide fixation		2
6	SP1584380	Kit hanger locked (2015) <i>Replace 1430427</i>		2

## Footrests



-<SPACTION3NG35

Pos.	Part number	Description	Valid from → until	Qty
1	-	Fixed footrest		1
2	-	Fixed footrest with shorter support		1
3	-	Fixed footrest [DK] <i>ONLY FOR DANMARK</i>		1
4	-	Angle and depth adjustable footrest		1
5	-	Angle and depth adjustable footrest SH360 mm		1
6	-	Angle and depth adjustable footrest with shorter support		1
7	-	One piece footboard		1

# Fixed footrest

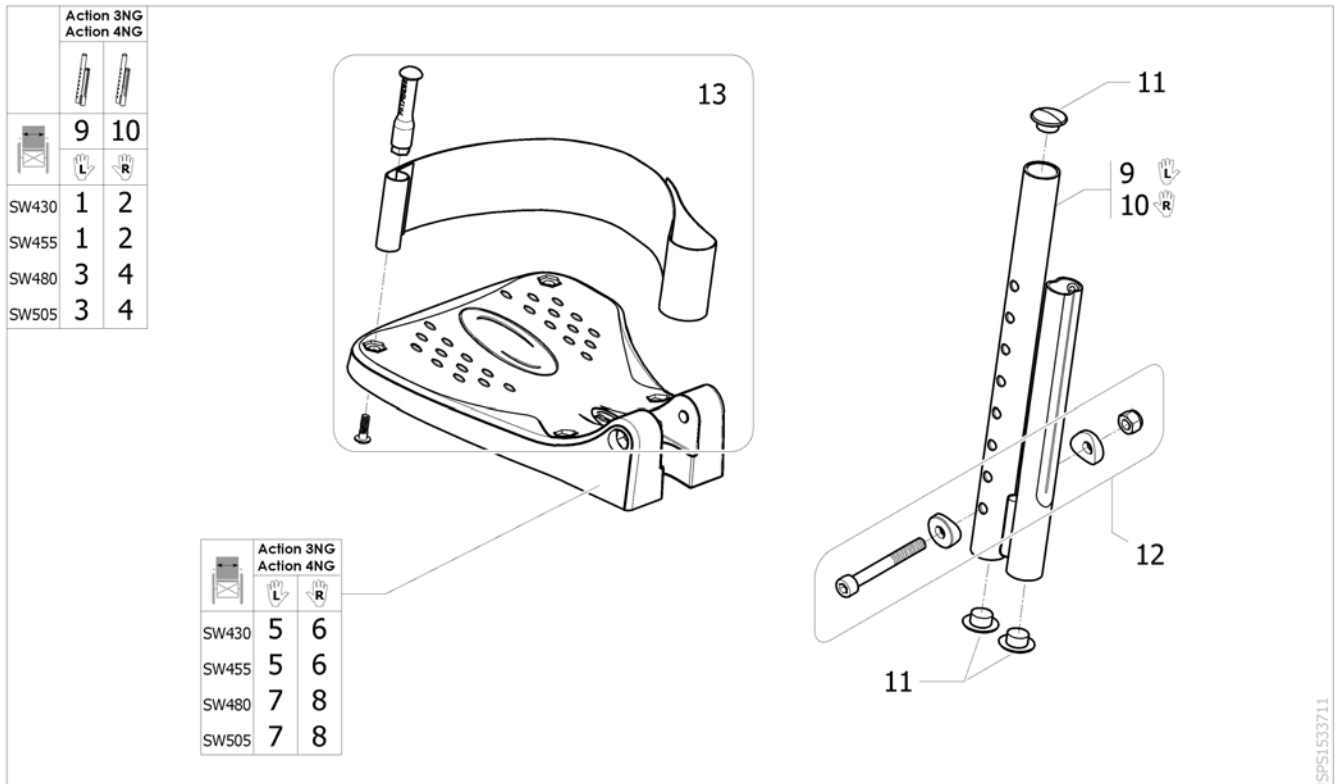
	Action 3NG Action 2000				Action 4NG			
	25		26		25		26	
	L	R	L	R	L	R	L	R
SW380	1	2	9	10	1	2	9	10
SW405	1	2	9	10	1	2	9	10
SW430	3	4	11	12	3	4	11	12
SW455	3	4	11	12	3	4	11	12
SW480	5	6	13	14	5	6	13	14
SW505	5	6	13	14	5	6	13	14
SW555	-	-	-	-	7	8	15	16
SW605	-	-	-	-	7	8	15	16

	Action 3NG Action 2000		Action 4NG	
	L	R	L	R
SW380	17	18	17	18
SW405	17	18	17	18
SW430	19	20	19	20
SW455	19	20	19	20
SW480	21	22	21	22
SW505	21	22	21	22
SW555	-	-	23	24
SW605	-	-	23	24

Pos.	Part number	Description	Valid from → until	Qty
1	1530620	Footrest fixed, Lh, SW380-405mm, standard tube, swing away frame		1
2	1530614	Footrest fixed, Rh, SW380-405mm, standard tube, swing away frame		1
3	1530622	Footrest fixed, Lh, SW430-455mm, standard tube, swing away frame		1
4	1530616	Footrest fixed, Rh, SW430-455mm, standard tube, swing away frame		1
5	1530623	Footrest fixed, Lh, SW480-505mm, standard tube, swing away frame		1
6	1530617	Footrest fixed, Rh, SW480-505mm, standard tube, swing away frame		1
7	1488624	Kit footrest fixed short & bended tube Lh(SW550/605 Action NG) (SW490 Esprit Clématis)		1
8	1488623	Kit footrest fixed short & bended tube Rh(SW550/605 Action NG) (SW490 Esprit Clématis)		1
9	1530633	Footrest fixed, Lh, SW380-405mm, long tube, swing away frame		1
10	1530630	Footrest fixed, Rh, SW380-405mm, long tube, swing away frame		1
11	1530634	Footrest fixed, Lh, SW330-455mm, long tube, swing away frame		1
12	1530631	Footrest fixed, Rh, SW330-455mm, long tube, swing away frame		1
13	1530635	Footrest fixed, Lh, SW480-505mm, long tube, swing away frame		1
14	1530632	Footrest fixed, Rh, SW480-505mm, long tube, swing away frame		1
15	1488626	Lh Standard Footrest SW555/605 mm - Long Tube		1
16	1488625	Rh Standard Footrest SW555/605 mm - Long Tube		1
17	1529643	Footplate, fixed, Lh, 174mm (V2009)		1
18	1529642	Footplate, fixed, Rh, 174mm (V2009)		1
19	1529645	Footplate, fixed, Lh, 199mm (V2009)		1
20	1529644	Footplate, fixed, Rh, 199mm (V2009)		1
21	1529647	Footplate, fixed, Lh, 224mm (V2009)		1
22	1529646	Footplate, fixed, Rh, 224mm (V2009)		1
23	1428374	FOOTPLATE 26, LEFT		1
24	1428375	FOOTPLATE 26, RIGHT		1
25	1434561-0010	Footrest Tube, Short		2
26	1434563-0010	Footrest Tube, Long		2
27	1430433	Screw Kit, Footrest Fixed		2
28	1424576	Plastic cap black Ø20mm		2
29	1492315	Kit heelstrap, adjustable, medium		2



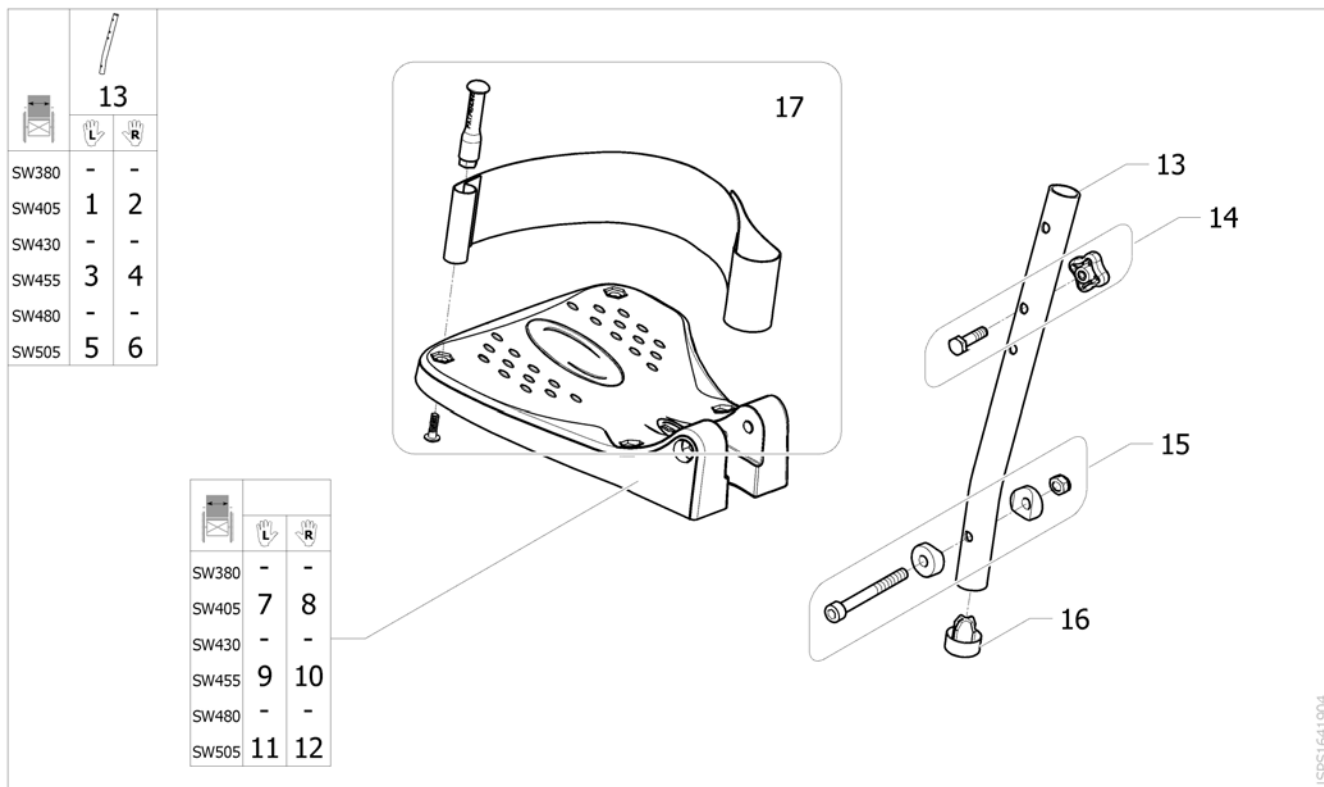
## Fixed footrest with shorter support



ISPS1533711

Pos.	Part number	Description	Valid from → until	Qty
1	1532070	Footrest fixed, Lh, SW430-455mm, high mounted tube		1
2	1532066	Footrest fixed, Rh, SW430-455mm, high mounted tube		1
3	1532072	Footrest fixed, Lh, SW480-505mm, high mounted tube		1
4	1532068	Footrest fixed, Rh, SW480-505mm, high mounted tube		1
5	1529643	Footplate, fixed, Lh, 174mm (V2009) <i>Replace 1428340</i>		1
6	1529642	Footplate, fixed, Rh, 174mm (V2009) <i>Replace 1428341</i>		1
7	1529645	Footplate, fixed, Lh, 199mm (V2009) <i>Replace 1424574</i>		1
8	1529644	Footplate, fixed, Rh, 199mm (V2009) <i>Replace 1424575</i>		1
9	1531202-0699	Footrest tube high mounted Lh		1
10	1531203-0699	Footrest tube high mounted Rh		1
11	1424576	Plastic cap black Ø20mm		6
12	1430433	Screw Kit, Footrest Fixed		2
13	1492315	Kit heelstrap, adjustable, medium		2

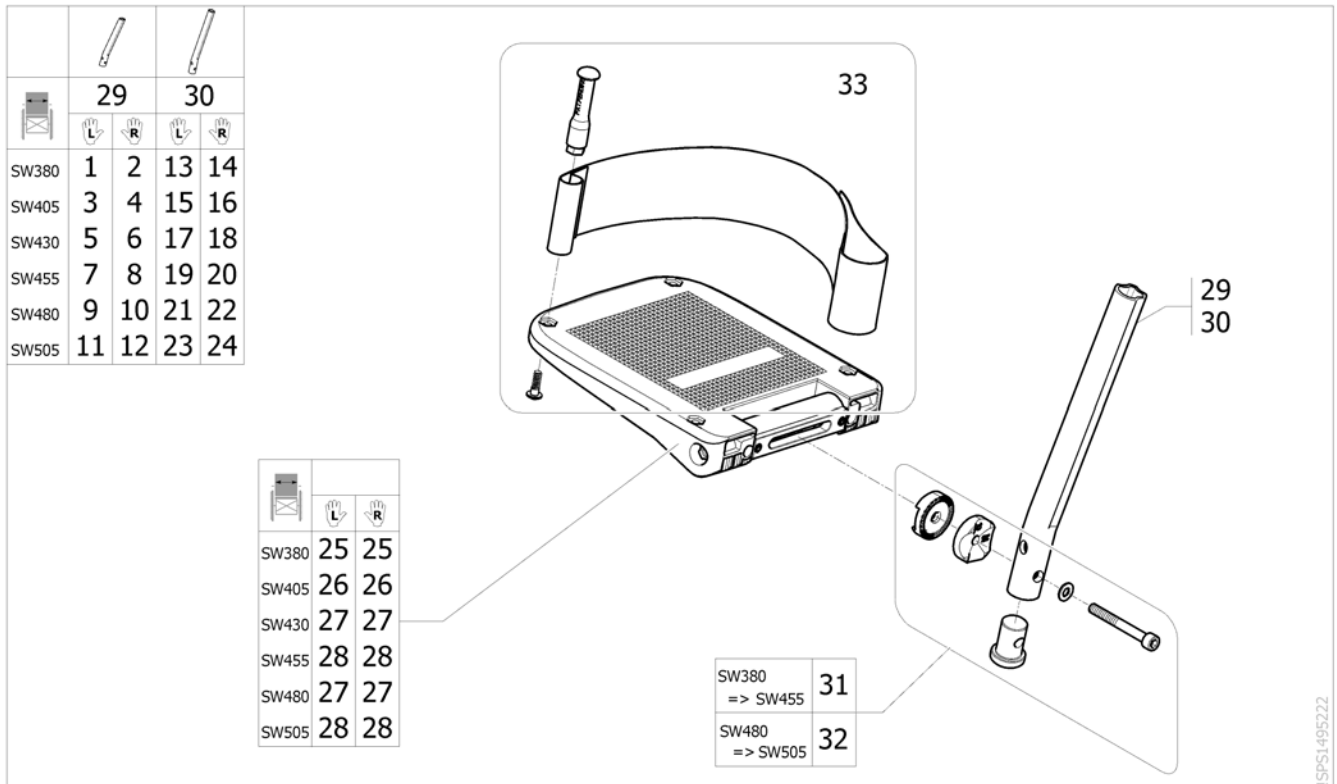
## Fixed footrest [DK]



ISPS1641904

Pos.	Part number	Description	Valid from → until	Qty
1	SP1641735	Fixed footrest, Lh, SW380/405 mm (DK)		1
2	SP1641736	Fixed footrest, Rh, SW380/405 mm (DK)		1
3	SP1641737	Fixed footrest, Lh, SW430/455 mm (DK)		1
4	SP1641738	Fixed footrest, Rh, SW430/455 mm (DK)		1
5	SP1641775	Fixed footrest, Lh, SW480/505 mm (DK)		1
6	SP1641776	Fixed footrest, Rh, SW480/505 mm (DK)		1
7	1529643	Footplate, fixed, Lh, 174mm (V2009)		1
8	1529642	Footplate, fixed, Rh, 174mm (V2009)		1
9	1529645	Footplate, fixed, Lh, 199mm (V2009)		1
10	1529644	Footplate, fixed, Rh, 199mm (V2009)		1
11	1529647	Footplate, fixed, Lh, 224mm (V2009)		1
12	1529646	Footplate, fixed, Rh, 224mm (V2009)		1
13	SP1535960	Footrest tube Action NG		1
14	SP1641968	Kit hardware footrest tube/hanger (DK)		1
15	SP1606257	Kit screws for fixed footrest		1
16	SP1171163	Plastic cap black		1
17	1492315	Kit heelstrap, adjustable, medium		1

## Angle and depth adjustable footrest



ISPS1495222

Pos.	Part number	Description	Valid from → until	Qty
1	1428657	Footrest a&d adjustable, Lh, SW380mm, standard tube, swing away frame		1
2	1428651	Footrest a&d adjustable, Rh, SW380mm, standard tube, swing away frame		1
3	1428658	Footrest a&d adjustable, Lh, SW405mm, standard tube, swing away frame		1
4	1428652	Footrest a&d adjustable, Rh, SW405mm, standard tube, swing away frame		1
5	1428659	Footrest a&d adjustable, Lh, SW430mm, standard tube, swing away frame		1
6	1428653	Footrest a&d adjustable, Rh, SW430mm, standard tube, swing away frame		1
7	1428660	Footrest a&d adjustable, Lh, SW455mm, standard tube, swing away frame		1
8	1428654	Footrest a&d adjustable, Rh, SW455mm, standard tube, swing away frame		1
9	1428661	Footrest a&d adjustable, Lh, SW480mm, standard tube, swing away frame		1
10	1428655	Footrest a&d adjustable, Rh, SW480mm, standard tube, swing away frame		1
11	1428662	Footrest angle & depht adjustable, Lh, short tube (SW505 Action) (SW490 Esprit Clématis)		1
12	1428656	Footrest angle & depht adjustable, Rh, short tube (SW505 Action) (SW490 Esprit Clématis)		1
13	1440816	Footrest a&d adjustable, Lh, SW380mm, long tube, swing away frame		1
14	1440810	Footrest a&d adjustable, Rh, SW380mm, long tube, swing away frame		1
15	1440817	Footrest a&d adjustable, Lh, SW405mm, long tube, swing away frame		1
16	1440811	Footrest a&d adjustable, Rh, SW405mm, long tube, swing away frame		1
17	1440818	Footrest a&d adjustable, Lh, SW430mm, long tube, swing away frame		1
18	1440812	Footrest a&d adjustable, Rh, SW430mm, long tube, swing away frame		1
19	1440819	Footrest a&d adjustable, Lh, SW455mm, long tube, swing away frame		1
20	1440813	Footrest a&d adjustable, Rh, SW455mm, long tube, swing away frame		1
21	1440820	Footrest a&d adjustable, Lh, SW480mm, long tube, swing away frame		1
22	1440814	Footrest a&d adjustable, Rh, SW480mm, long tube, swing away frame		1
23	1440821	Footrest a&d adjustable, Lh, SW505mm, long tube, swing away frame		1
24	1440815	Footrest a&d adjustable, Rh, SW505mm, long tube, swing away frame		1
25	5106374	Footplate, angle and depth adjustable, 141 mm		2
26	5106375	Footplate, angle and depth adjustable, 156 mm		2

## Angle and depth adjustable footrest

Pos.	Part number	Description	Valid from → until	Qty
27	5106594	Footplate, angle and depth adjustable, 166 mm		2
28	5106376	Footplate, angle and depth adjustable, 176 mm		2
29	1558855-0010	Standard tube for a&d adjustable footrest		2
30	1434563-0010	Footrest Tube, Long		2
31	1430839	Screw Kit, Footrest aa		2
32	1430840	Screw Kit, Footrest aa Ext		2
33	1492315	Kit heelstrap, adjustable, medium		2

## Angle and depth adjustable footrest SH360 mm

	Action 3NG		Action 4NG	
	17		17	
SW380	1	7	1	7
SW405	2	8	2	8
SW430	3	9	3	9
SW455	4	10	4	10
SW480	5	11	5	11
SW505	6	12	6	12
SW555	-	-	6	12
SW605	-	-	6	12

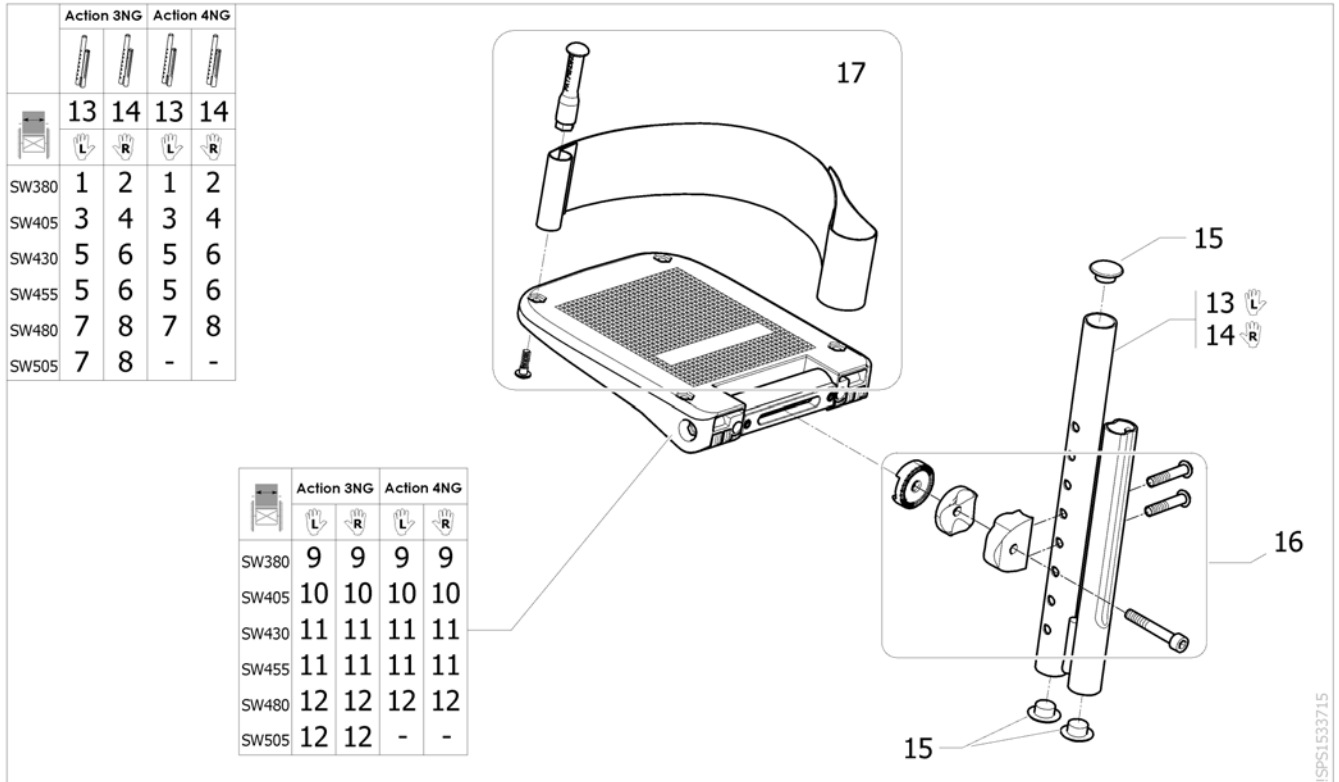
	Action 3NG		Action 4NG	
	13	13	13	13
SW380	13	13	13	13
SW405	14	14	14	14
SW430	15	15	15	15
SW455	16	16	16	16
SW480	15	15	15	15
SW505	16	16	16	16
SW555	-	-	16	16
SW605	-	-	16	16

SW380	18
=> SW455	
SW480	19
=> SW605	

SPS1548903 ~ sps1497630\_II

Pos.	Part number	Description	Valid from → until	Qty
1	1548477	Footrest a&d adjustable, Lh, SW380mm, short tube, swing away frame		1
2	1548487	Footrest a&d adjustable, Lh, SW405mm, short tube, swing away frame		1
3	1548489	Footrest a&d adjustable, Lh, SW430mm, short tube, swing away frame		1
4	1548491	Footrest a&d adjustable, Lh, SW455mm, short tube, swing away frame		1
5	1548518	Footrest a&d adjustable, Lh, SW480mm, short tube, swing away frame		1
6	1548520	Footrest a&d adjustable, Lh, SW505mm, short tube, swing away frame		1
7	1548478	Footrest a&d adjustable, Rh, SW380mm, short tube, swing away frame		1
8	1548488	Footrest a&d adjustable, Rh, SW405mm, short tube, swing away frame		1
9	1548490	Footrest a&d adjustable, Rh, SW430mm, short tube, swing away frame		1
10	1548492	Footrest a&d adjustable, Rh, SW455mm, short tube, swing away frame		1
11	1548519	Footrest a&d adjustable, Rh, SW480mm, short tube, swing away frame		1
12	1548521	Footrest a&d adjustable, Rh, SW505mm, short tube, swing away frame		1
13	5106374	Footplate, angle and depth adjustable, 141 mm		2
14	5106375	Footplate, angle and depth adjustable, 156 mm		2
15	5106594	Footplate, angle and depth adjustable, 166 mm		2
16	5106376	Footplate, angle and depth adjustable, 176 mm		2
17	1541994	Short footrest tube for a&d adjustable footrest		2
18	1430839	Screw Kit, Footrest aa		2
19	1430840	Screw Kit, Footrest aa Ext		2
20	1492315	Kit heelstrap, adjustable, medium		2

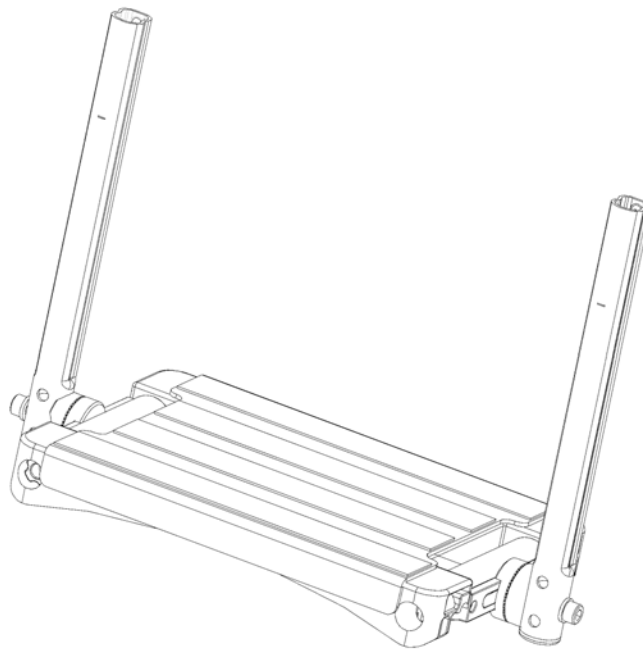
## Angle and depth adjustable footrest with shorter support



Pos.	Part number	Description	Valid from → until	Qty
1	SP1586054	Footrest a&d adjustable, Lh, SW380mm, high mounted tube	2015-01-01 →	1
2	SP1586052	Footrest a&d adjustable, Rh, SW380mm, high mounted tube	2015-01-01 →	1
3	SP1586068	Footrest a&d adjustable, Lh, SW405mm, high mounted tube	2015-01-01 →	1
4	SP1586053	Footrest a&d adjustable, Rh, SW405mm, high mounted tube	2015-01-01 →	1
5	1532078	Footrest a&d adjustable, Lh, SW430-455mm, high mounted tube		1
6	1532074	Footrest a&d adjustable, Rh, SW430-455mm, high mounted tube		1
7	1532080	Footrest a&d adjustable, Lh, SW480-505mm, high mounted tube		1
8	1532076	Footrest a&d adjustable, Rh, SW480-505mm, high mounted tube		1
9	5106371	Footplate, angle and depth adjustable, 106 mm		2
10	5106373	Footplate, angle and depth adjustable, 131 mm		2
11	5106374	Footplate, angle and depth adjustable, 141 mm		2
12	5106594	Footplate, angle and depth adjustable, 166 mm		2
13	1531202-0699	Footrest tube high mounted Lh		1
14	1531203-0699	Footrest tube high mounted Rh		1
15	1424576	Plastic cap black Ø20mm		6
16	1533714	Kit fixation for angle & depth adjustable footrest, high mounted tube		2
17	1492315	Kit heelstrap, adjustable, medium		1

**One piece footboard**

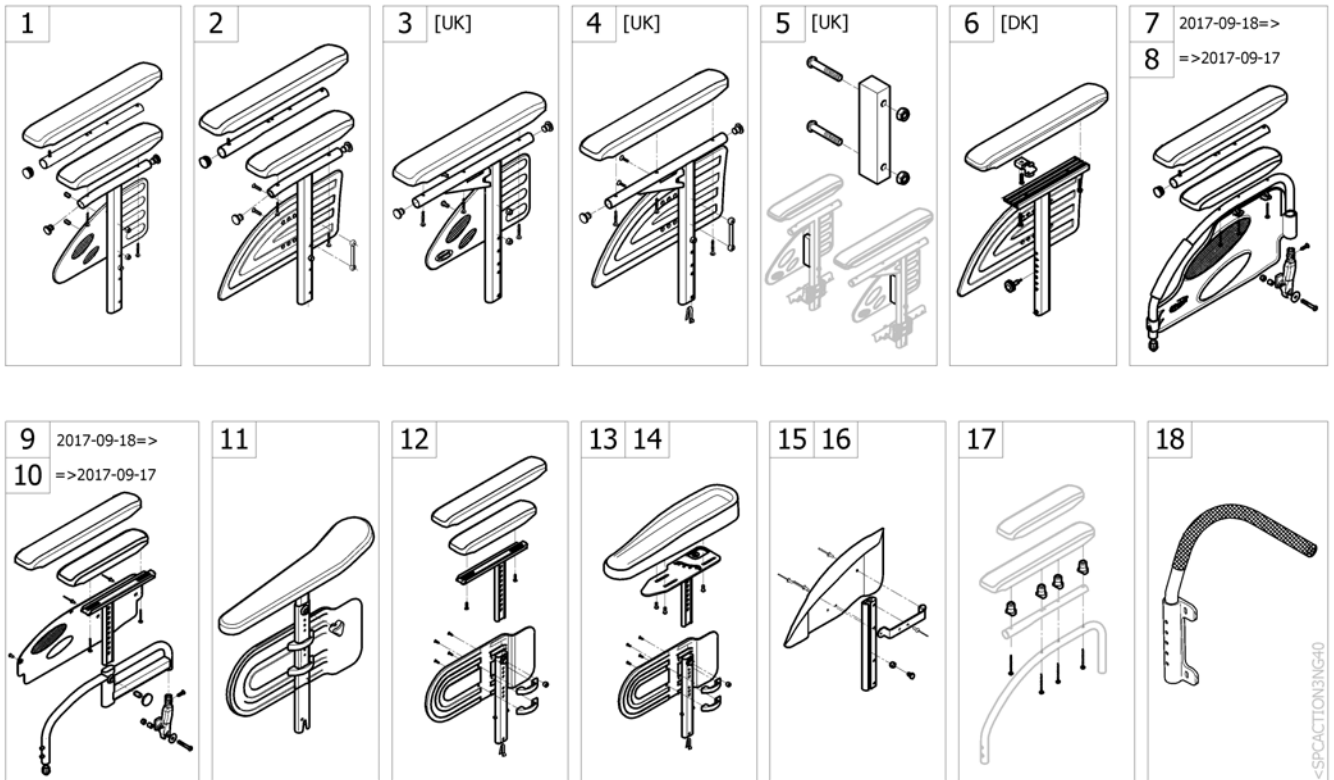
	Action 3NG	Action 4NG
SW380	1	1
SW405	2	2
SW430	3	3
SW455	4	4
SW480	5	5
SW505	6	6
SW555	-	7
SW605	-	8



ISPS1514296

Pos.	Part number	Description	Valid from → until	Qty
1	1496945	One piece footboard, short tube, SW380 mm, depth and angle adjustable, hanger 80°		1
2	1496946	One piece footboard, short tube, SW405 mm, depth and angle adjustable, hanger 80°		1
3	1496947	One piece footboard, short tube, SW430 mm, depth and angle adjustable, hanger 80°		1
4	1496948	One piece footboard, short tube, SW455 mm, depth and angle adjustable, hanger 80°		1
5	1496949	One piece footboard, short tube, SW480 mm, depth and angle adjustable, hanger 80°		1
6	1496953	One piece footboard, short tube, SW505 mm, depth and angle adjustable, hanger 80°		1
7	1510382	One piece footboard, short tube, SW555 mm, depth and angle adjustable, hanger 80°		1
8	1510383	One piece footboard, short tube, SW605 mm, depth and angle adjustable, hanger 80°		1

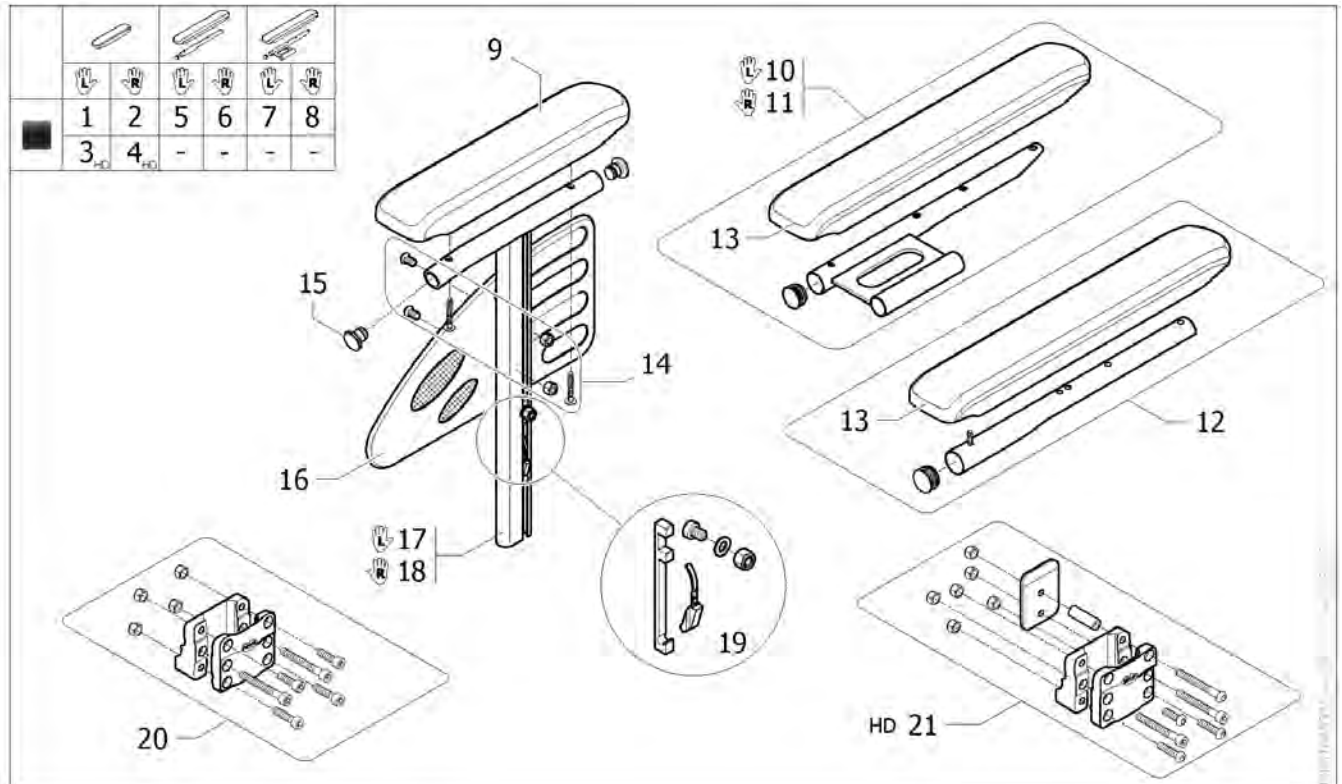
# Siderests



Pos.	Part number	Description	Valid from → until	Qty
1	-	Armrest n°1 - Removable and height adjustable [CE_0640/CE_0650/CE_0740/CE_0750]	2017-09-18 →	1
2	-	Armrest n°1 Rio - Removable and height adjustable [CE_0640/CE_0650/CE_0740/CE_0750] For Backrest [CE_0431/CE_0432]	2017-09-18 →	1
3	-	T Armrest n°1 - Removable and height adjustable [UK] [CE_0650/CE_0750] ONLY FOR UK	2017-09-18 →	1
4	-	T Armrest n°1 Rio - Removable and height adjustable [UK] [CE_0650/CE_0750] For Backrest [CE_0431/CE_0432] ONLY FOR UK	2017-09-18 →	1
5	-	In-rigged for Armrest & T Armrest n°1 [UK] [CE_0952] ONLY FOR UK & ARMREST N°1		1
6	-	Armrest n°1 Rio - Removable and height adjustable [DK] [CE_0655/CE_0755] ONLY DOR DANMARK		1
7	-	Armrest n°2 - Swing Away Detachable 2017.09.18=> [CE_0660/CE_0670/CE_0760/CE_0770]	2017-09-18 →	1
8	-	Armrest n°2 - Swing Away Detachable =>2017.09.17 [CE_0660/CE_0670/CE_0760/CE_0770]	→ 2017-09-17	1
9	-	Armrest n°3 - Swing Away Detachable Height adjustable 2017-09-18=> [CE_0680/CE_0690/CE_0780/CE_0790]	2017-09-18 →	1
10	-	Armrest n°3 - Swing Away Detachable Height adjustable =>2017.09.17 [CE_0680/CE_0690/CE_0780/CE_0790]	→ 2017-09-17	1
11	-	Armrest n°4 - Removable and height adjustable Comfort [CE_0691/CE_0791]		1
12	-	Armrest n°4 - Removable and height adjustable [CE_0695/CE_0696/CE_0795/CE_0796]		1
13	-	Armrest n°4 - Hemiplegic Dartex multiposition comfort [CE_0005+CE_0732] [CE_0005+CE_0832]		1
14	-	Armrest n°4 - Hemiplegic Dartex multiposition standard [CE_0732/CE_0832]		1
15	-	Mudguard Xtra [CE_0738/CE_0838]		1
16	-	Mudguard Carbon 2018.03.26=> [CE_1737/CE_1837]		1
17	-	Armpads raiser kit		1
18	-	Tubular Armrest [CE_0739/CE_0839]	2017-09-18 →	1



## Armrest n°1 - Removable and height adjustable

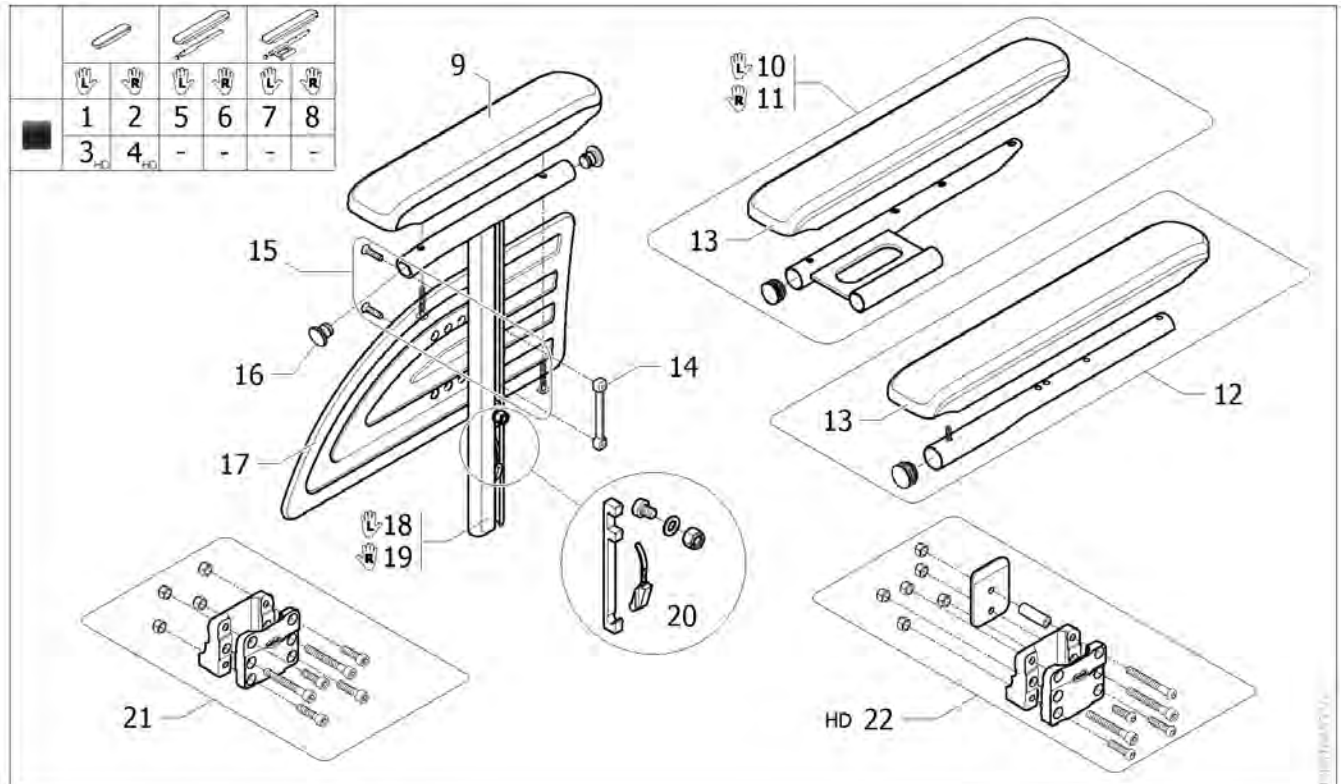


Pos.	Part number	Description	Valid from → until	Qty
1	SP1644227-0653	Lh Armrest n°1 Matt Black - Removable and height adjustable short armpad <i>Replace 1534086-0601</i>		1
2	SP1644228-0653	Rh Armrest n°1 Matt Black - Removable and height adjustable short armpad <i>Replace 1534085-0601</i>		1
3	SP1645355-0653	Lh Armrest n°1 Matt Black - Removable and height adjustable short armpad - Heavy <i>Replace 1541935</i>	→ 2016-12-31	1
4	SP1645356-0653	Rh Armrest n°1 Matt Black - Removable and height adjustable short armpad - Heavy <i>Replace 1541934</i>	→ 2016-12-31	1
5	SP1644229-0653	Lh Armrest n°1 Matt Black - Removable and height adjustable long armpad <i>Replace 1534088-0601</i>		1
6	SP1644300-0653	Rh Armrest n°1 Matt Black - Removable and height adjustable long armpad <i>Replace 1534087-0601</i>		1
7	SP1644372-0653	Lh Armrest n°1 Matt Black - Removable and height adjustable long armpad with half tray support <i>Replace SP1604890</i>		1
8	SP1644373-0653	Rh Armrest N°1 Matt Black - Removable and height adjustable long armpad with half tray support <i>Replace SP1604889</i>		1
9	1543220	Short armpad 280mm + 2 screws		2
10	SP1605857	Left half tray weld support + long armpad		1
11	SP1605858	Right half tray weld support + long armpad		1
12	1432595	Long armpad + tube + screw		2
13	1543247	Kit long armpad 380 mm + 3 screws		2
14	1430422	Armrest N°1 screws kit		2
15	SP0021-20003	Black Ø18 x 1.5 mm cylindrical cap		2
16	1425601	Skirtguard black		2
17	SP1578038-0653	Lh Armrest n°1 tube support Matt Black <i>Replace SP1578038-0601</i>		1
18	SP1578039-0653	Rh Armrest n°1 tube support Matt Black <i>Replace SP1578039-0601</i>		1

## Armrest n°1 - Removable and height adjustable

Pos.	Part number	Description	Valid from → until	Qty
19	SP1589904	Kit locking system for armrest 1		2
20	1430421	Central armrest support		2
21	1532575	Central armrest support - HD	→ 2016-12-31	2

## Armrest n°1 Rio - Removable and height adjustable

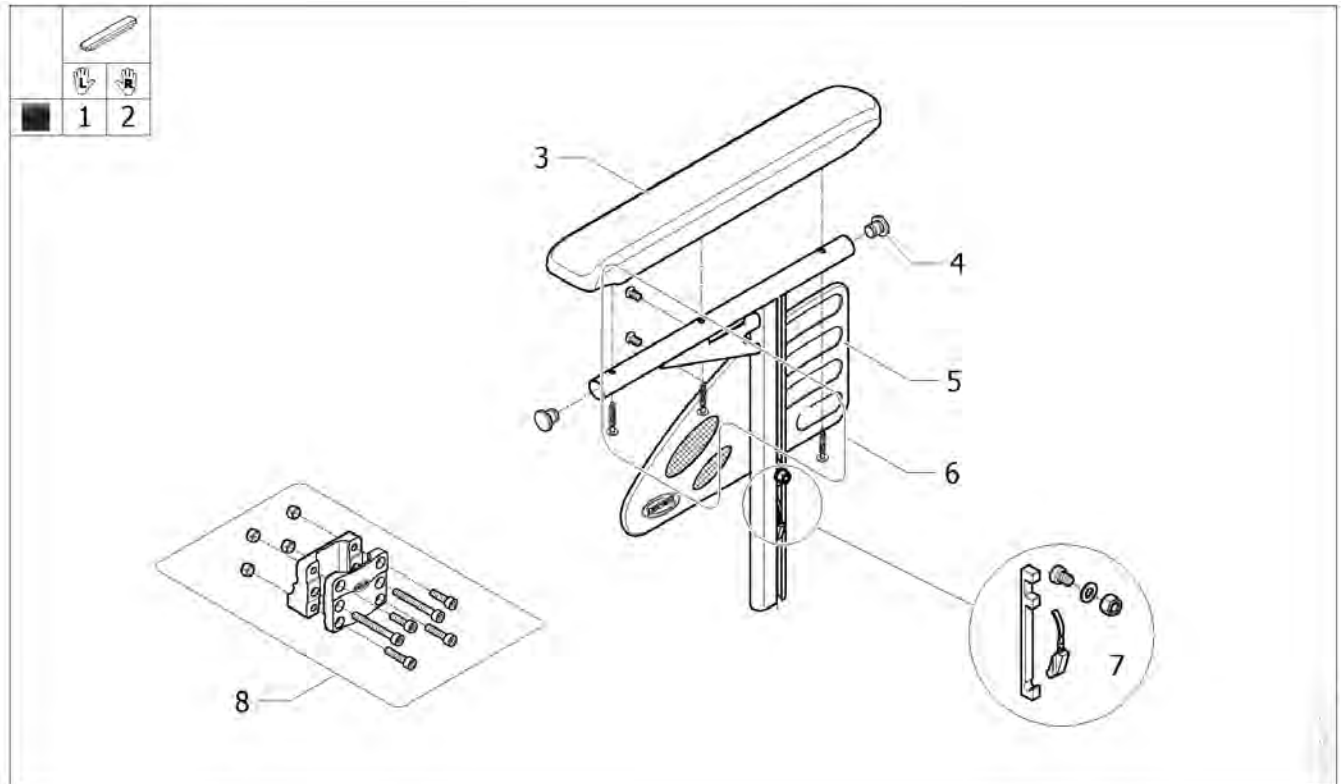


Pos.	Part number	Description	Valid from → until	Qty
1	SP1644376-0653	Lh Armrest n°1 Rio Matt Black - Removable and height adjustable short armpad <i>Replace 1449978</i>		1
2	SP1644377-0653	Rh Armrest n°1 Rio Matt Black - Removable and height adjustable short armpad <i>Replace 1449977</i>		1
3	SP1644378-0653	Lh Armrest n°1 Rio Matt Black - Removable and height adjustable short armpad - HD <i>Lh Armrest HD only for Action4NG - Replace 1478771</i>		1
4	SP1644379-0653	Rh Armrest n°1 Rio Matt Black - Removable and height adjustable short armpad - HD <i>Rh Armrest HD only for Action4NG - Replace 1478770</i>		1
5	SP1644380-0653	Lh Armrest n°1 Rio Matt Black - Removable and height adjustable long armpad <i>Replace 1449980</i>		1
6	SP1644381-0653	Rh Armrest n°1 Rio Matt Black - Removable and height adjustable long armpad <i>Replace 1449979</i>		1
7	SP1644382-0653	Lh Armrest n°1 Rio Matt Black - Removable and height adjustable long armpad with half tray support <i>Replace SP1606557</i>		1
8	SP1644383-0653	Rh Armrest n°1 Rio Matt Black - Removable and height adjustable long armpad with half tray support <i>Replace SP1606558</i>		1
9	1543220	Short armpad 280mm + 2 screws		2
10	SP1605857	Left half tray weld support + long armpad		1
11	SP1605858	Right half tray weld support + long armpad		1
12	1432595	Long armpad + tube + screw		2
13	1543247	Kit long armpad 380 mm + 3 screws		2
14	1435388	Double-nut		2
15	1430422	Armrest N°1 screws kit		2
16	SP0021-20003	Black Ø18 x 1.5 mm cylindrical cap		4
17	1434725	Skirtguard Rio height adjustable		2
18	SP1578038-0653	Lh Armrest n°1 tube support Matt Black <i>Replace SP1578038-0601</i>		1

## Armrest n°1 Rio - Removable and height adjustable

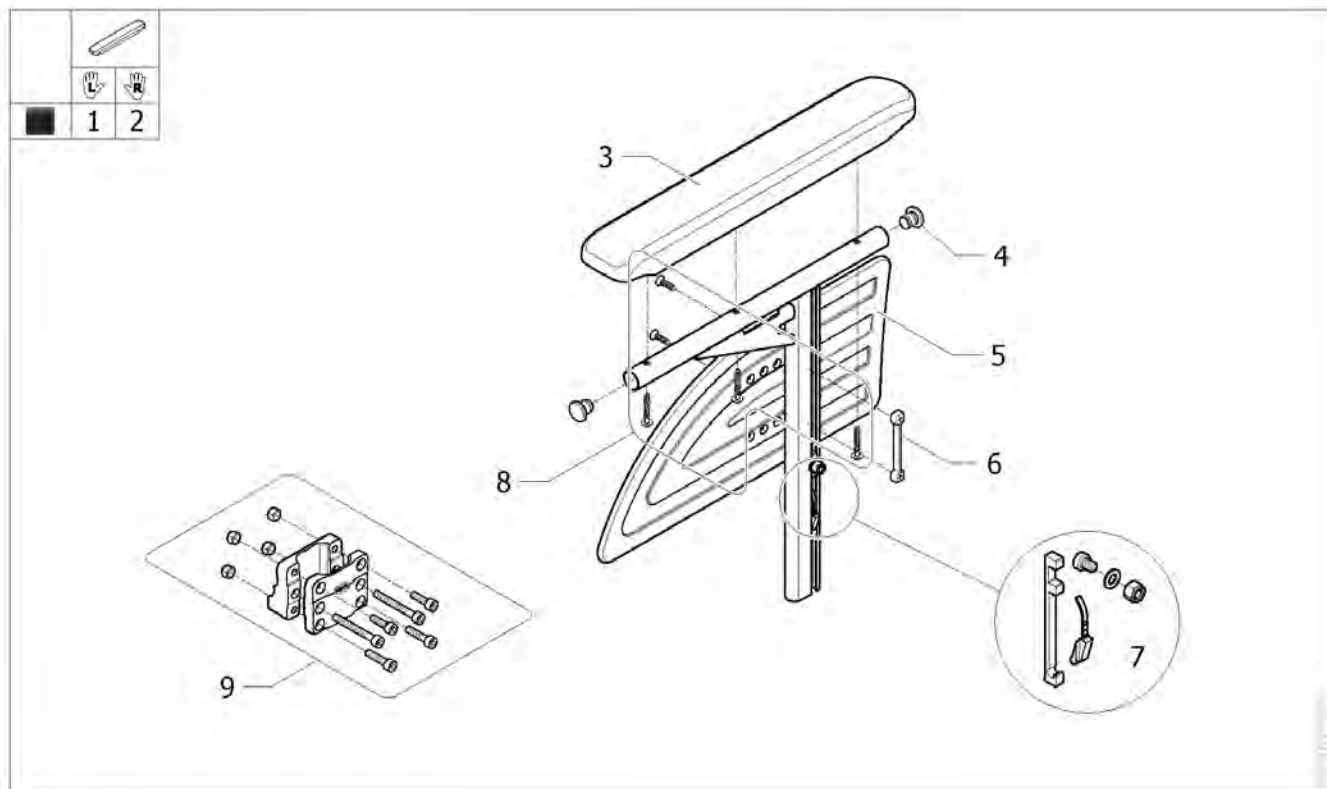
Pos.	Part number	Description	Valid from → until	Qty
19	SP1578039-0653	Rh Armrest n°1 tube support Matt Black <i>Replace SP1578039-0601</i>		1
20	SP1589904	Kit locking system for armrest 1		2
21	1430421	Central armrest support		2
22	1532575	Central armrest support - HD		2

## T Armrest n°1 - Removable and height adjustable [UK]



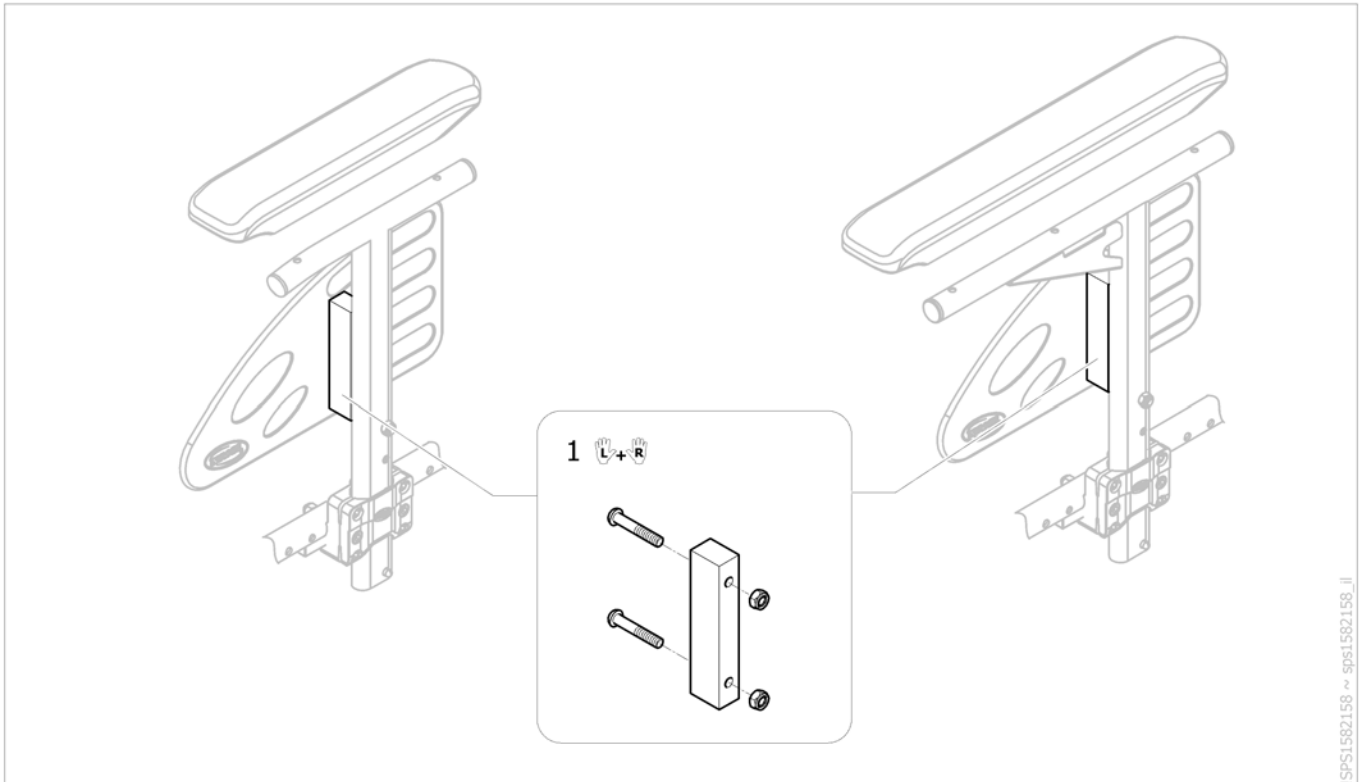
Pos.	Part number	Description	Valid from → until	Qty
1	SP1644374-0653	Lh T Armrest n°1 Matt Black - Removable Full Lenght [UK] <i>Replace 1548470</i>		1
2	SP1644375-0653	Rh T Armrest n°1 Matt Black - Removable Full Lenght [UK] <i>Replace 1548471</i>		1
3	1543247	Kit long armpad 380 mm + 3 screws		2
4	0021-20028	Plastic cap black Ø19x15mm		4
5	1425601	Skirtguard black		2
6	1430421	Central armrest support		2
7	SP1589904	Kit locking system for armrest 1		2
8	1430421	Central armrest support		2

## T Armrest n°1 Rio - Removable and height adjustable [UK]



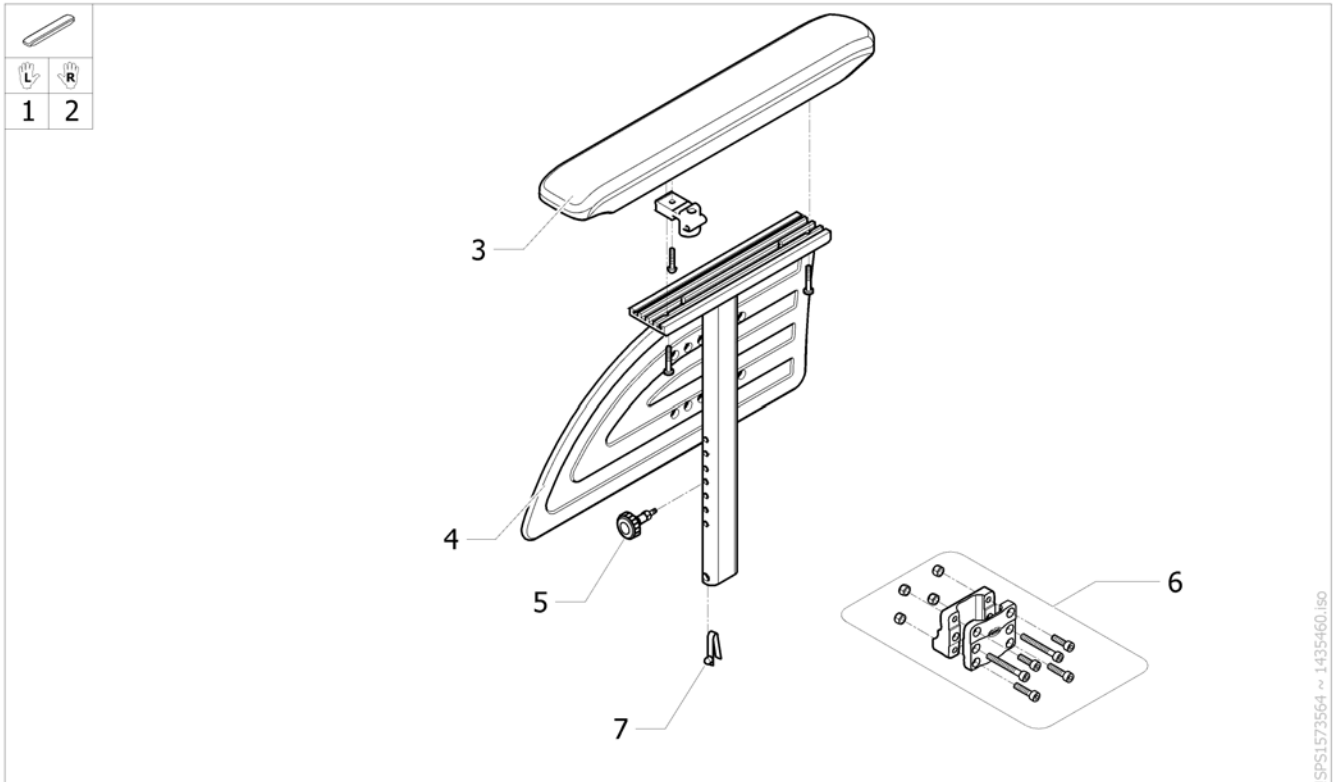
Pos.	Part number	Description	Valid from → until	Qty
1	SP1643775-0653	Lh T Armrest n°1 Rio Matt Black - Removable Full Length [UK] <i>Replace 1554352</i>		1
2	SP1643776-0653	Rh T Armrest n°1 Rio Matt Black - Removable Full Length [UK] <i>Replace 1554353</i>		1
3	1543247	Kit long armpad 380 mm + 3 screws		2
4	0021-20028	Plastic cap black Ø19x15mm		4
5	1434725	Skirtguard Rio height adjustable		2
6	1435388	Double-nut		2
7	SP1589904	Kit locking system for armrest 1		2
8	1430422	Armrest N°1 screws kit		2
9	1430421	Central armrest support		2

## In-rigged for Armrest & T Armrest n°1 [UK]



Pos.	Part number	Description	Valid from → until	Qty
1	SP1582159	In-rigged armrest kit A3NG for UK (pair)		1

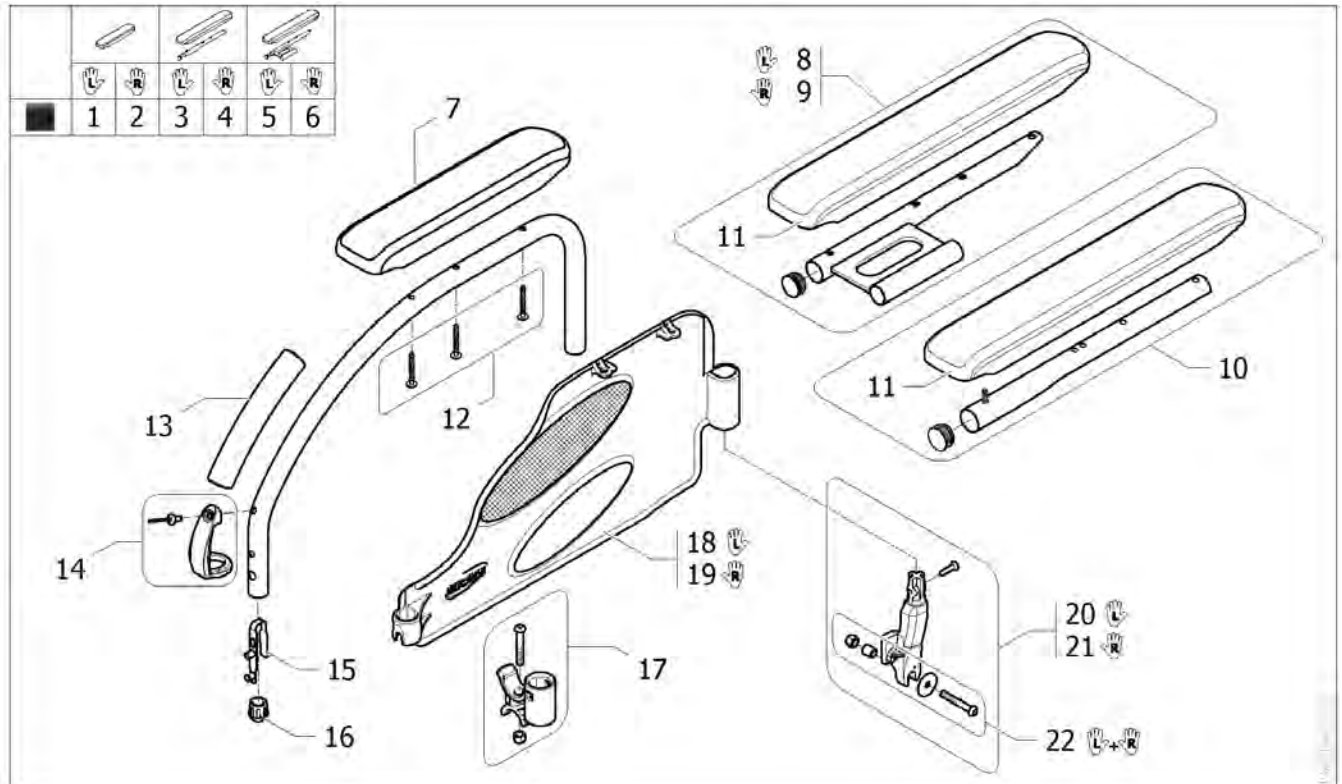
## Armrest n°1 Rio - Removable and height adjustable [DK]



Pos.	Part number	Description	Valid from → until	Qty
1	1573431	Lh long Armrest N°1 Rio - Removable and height adjustable for Danmark		1
2	1573432	Rh long Armrest N°1 Rio - Removable and height adjustable for Danmark		1
3	1434677	Long Armpad Flat Support		2
4	1434725	Skirtguard Rio height adjustable		1
5	1573573	Kit Knob M6x25 (spacer + nut)		2
6	1430421	Central armrest support		2
7	1560734	Snap button		2

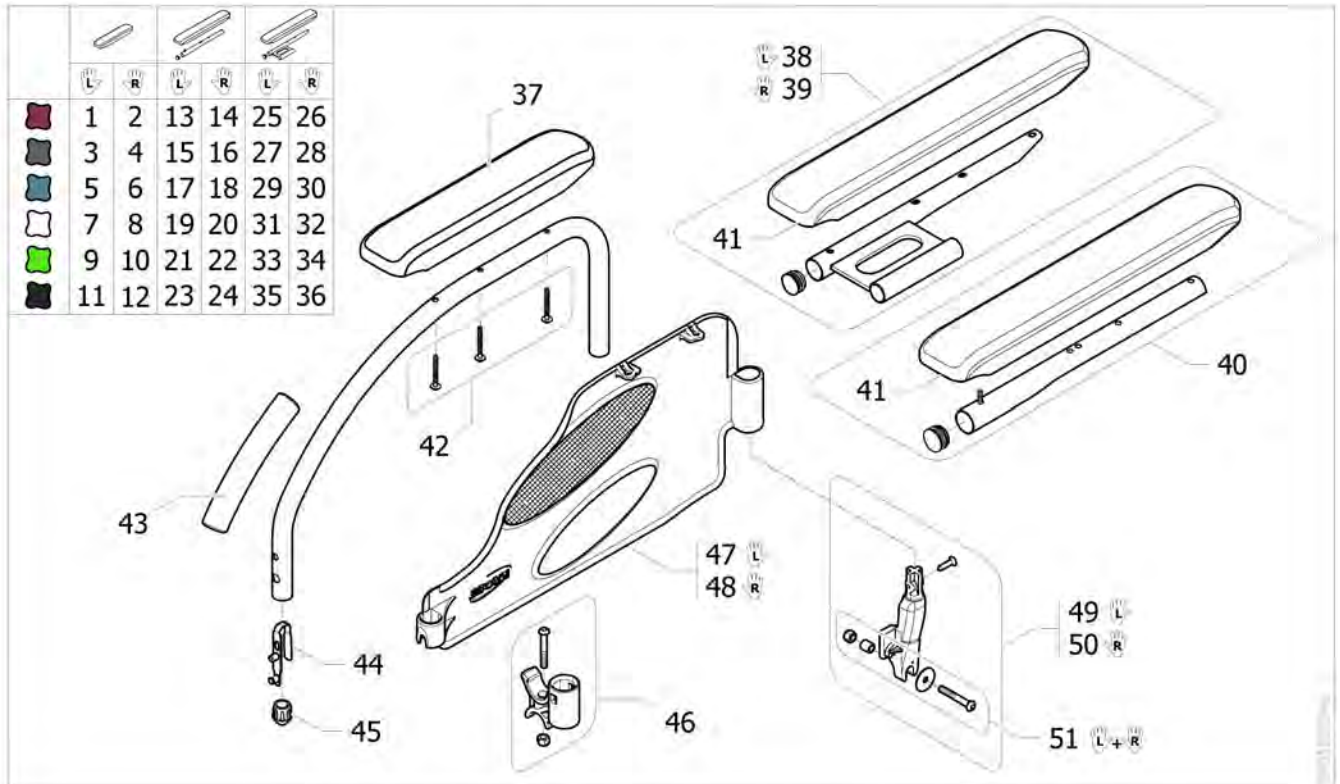


## Armrest n°2 - Swing Away Detachable 2017.09.18=>



Pos.	Part number	Description	Valid from → until	Qty
1	SP1639877-0653	Lh Desk Armrest n°2 - Swing Away Detachable - Matt Black <i>Replace 1428605-XXXX</i>	2017-09-18 →	1
2	SP1639876-0653	Rh Desk Armrest n°2 - Swing Away Detachable - Matt Black <i>Replace 1428604-XXXX</i>	2017-09-18 →	1
3	SP1639879-0653	Lh Full Lenght Armrest n°2 - Swing Away Detachable - Matt Black <i>Replace 1428607-XXXX</i>	2017-09-18 →	1
4	SP1639878-0653	Rh Full Lenght Armrest n°2 - Swing Away Detachable - Matt Black <i>Replace 1428606-XXXX</i>	2017-09-18 →	1
5	SP1644384-0653	Lh Full Lenght Armrest n°2 - Swing Away Detachable - Matt Black + Half tray support <i>Replace SP1606341-XXXX</i>	2017-09-18 →	1
6	SP1644385-0653	Rh Full Lenght Armrest n°2 - Swing Away Detachable - Matt Black + Half tray support <i>Replace SP1606340-XXXX</i>	2017-09-18 →	1
7	1543195	Kit armpad short 280 mm + 3 screws		2
8	SP1605857	Left half tray weld support + long armpad		1
9	SP1605858	Right half tray weld support + long armpad		1
10	1432595	Long armpad + tube + screw		2
11	1543219	Kit armpad long 380 mm + 4 screws		2
12	1430424	Armrest 2 Screws Kit N°2		2
13	0572-02851	Armrest handle cover		2
14	SP1601925	Unlocking button kit armrest 3		2
15	1018225	Double stud spring		2
16	0572-03405	Short conical cap		2
17	0572-05368	Crossbar and armrest support kit		2
18	1491220	Lh armrest skirtguard 2		1
19	1491219	Rh armrest skirtguard 2		1
20	1431284	Lh Armrest Rear Support Kit		1
21	1430423	Rh Armrest Rear Support Kit		1
22	1573039	Fixed armrest N°2/3 fixation kit (pair)		1

## Armrest n°2 - Swing Away Detachable =>2017.09.17

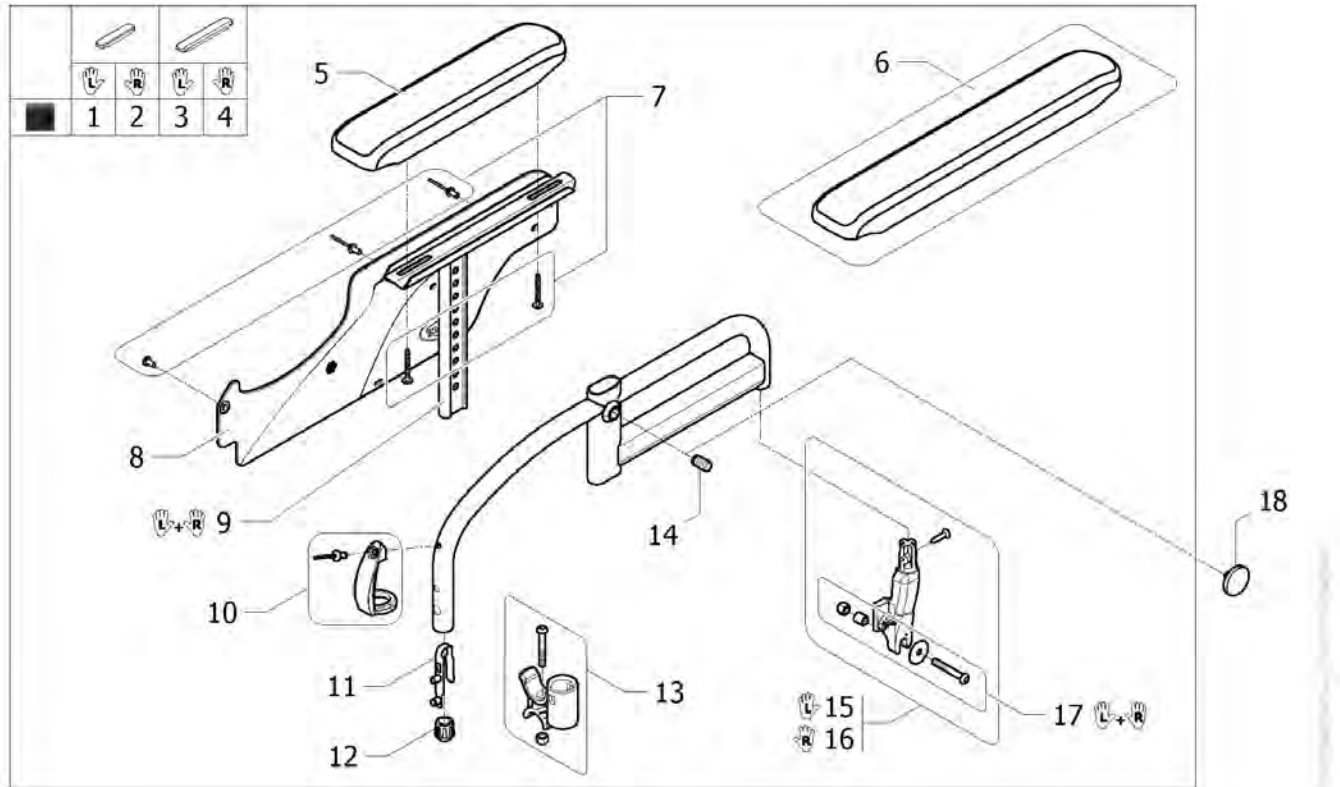


Pos.	Part number	Description	Valid from → until	Qty
1	1428605-0607	Lh Desk Armrest N°2 Dark Red <i>[CE_0760][CK_0597]</i>		1
2	1428604-0607	Rh Desk Armrest N°2 Dark Red <i>[CE_0660][CK_0537]</i>		1
3	1428605-0615	Lh Desk Armrest N°2 Slate Grey <i>[CE_0760][CK_0597]</i>		1
4	1428604-0615	Rh Desk Armrest N°2 Slate Grey <i>[CE_0660][CK_0537]</i>		1
5	1428605-0617	Lh Desk Armrest N°2 Ocean Blue <i>[CE_0760][CK_0597]</i>		1
6	1428604-0617	Rh Desk Armrest N°2 Ocean Blue <i>[CE_0660][CK_0537]</i>		1
7	1428605-0637	Lh Desk Armrest N°2 Pearl White <i>[CE_0760][CK_0597]</i>		1
8	1428604-0637	Rh Desk Armrest N°2 Pearl White <i>[CE_0660][CK_0537]</i>		1
9	1428605-0644	Lh Desk Armrest N°2 Electric Green		1
10	1428604-0644	Rh Desk Armrest N°2 Electric Green		1
11	1428605-0609	Lh Desk Armrest N°2 Anthracite Black <i>[CE_0760][CK_0597]</i>		1
12	1428604-0609	Rh Desk Armrest N°2 Anthracite Black <i>[CE_0660][CK_0537]</i>		1
13	1428607-0607	Lh Long Armrest N°2 Dark Red <i>[CE_0770][CK_0598]</i>		1
14	1428606-0607	Rh Long Armrest N°2 Dark Red <i>[CE_0670][CK_0538]</i>		1
15	1428607-0615	Lh Long Armrest N°2 Slate Grey <i>[CE_0770][CK_0598]</i>		1
16	1428606-0615	Rh Long Armrest N°2 Slate Grey <i>[CE_0670][CK_0538]</i>		1
17	1428607-0617	Lh Long Armrest N°2; Ocean Blue <i>[CE_0770][CK_0598]</i>		1
18	1428606-0617	Rh Long Armrest N°2 Ocean Blue <i>[CE_0670][CK_0538]</i>		1
19	1428607-0637	Lh Long Armrest N°2 Pearl White <i>[CE_0770][CK_0598]</i>		1

**Armrest n°2 - Swing Away Detachable =>2017.09.17**

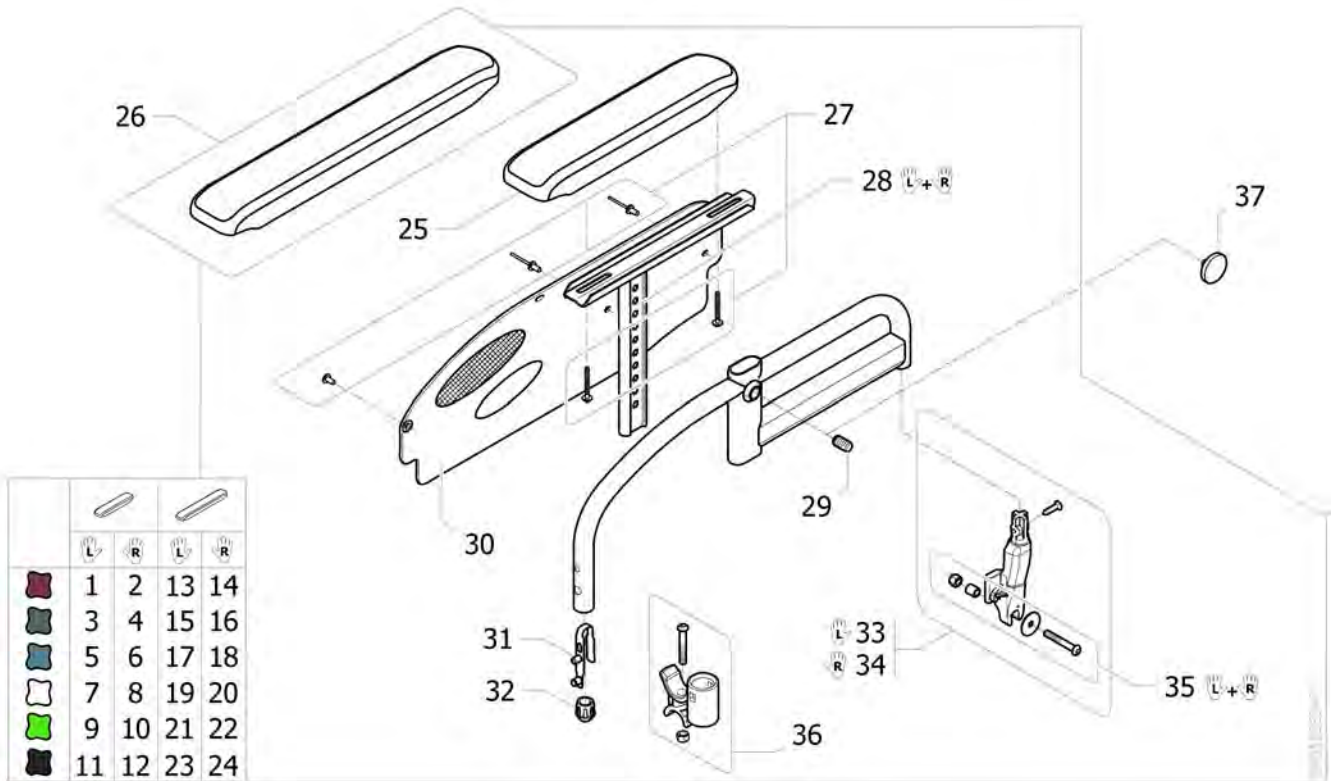
Pos.	Part number	Description	Valid from → until	Qty
20	1428606-0637	Rh Long Armrest N°2 Pearl White <i>[CE_0670][CK_0538]</i>		1
21	1428607-0644	Lh Long Armrest N°2 Electric Green		1
22	1428606-0644	Rh Long Armrest N°2 Electric Green		1
23	1428607-0609	Lh Long Armrest N°2 Anthracite Black <i>[CE_0770][CK_0598]</i>		1
24	1428606-0609	Rh Long Armrest N°2 Anthracite Black <i>[CE_0670][CK_0538]</i>		1
25	SP1606341-0607	Lh Armrest 2 Swing away, Full length, with Half tray Support, Red		1
26	SP1606340-0607	Rh Armrest 2 Swing away, Full length, with Half tray Support, Red		1
27	SP1606341-0615	Lh Armrest 2 Swing away, Full length, with Half tray Support, Slate Grey		1
28	SP1606340-0615	Rh Armrest 2 Swing away, Full length, with Half tray Support, Slate Grey		1
29	SP1606341-0617	Lh Armrest 2 Swing away, Full length, with Half tray Support, Ocean Blue		1
30	SP1606340-0617	Rh Armrest 2 Swing away, Full length, with Half tray Support, Ocean Blue		1
31	SP1606341-0637	Lh Armrest 2 Swing away, Full length, with Half tray Support, Pearl White		1
32	SP1606340-0637	Rh Armrest 2 Swing away, Full length, with Half tray Support, Pearl White		1
33	SP1606341-0644	Lh Armrest 2 Swing away, Full length, with Half tray Support, Electric Green		1
34	SP1606340-0644	Rh Armrest 2 Swing away, Full length, with Half tray Support, Electric Green		1
35	SP1606341-0609	Lh Armrest 2 Swing away, Full length, with Half tray Support, Anthracite		1
36	SP1606340-0609	Rh Armrest 2 Swing away, Full length, with Half tray Support, Anthracite		1
37	1543195	Kit armpad short 280 mm + 3 screws <i>Replace 1426721</i>		2
38	SP1605857	Left half tray weld support + long armpad		1
39	SP1605858	Right half tray weld support + long armpad		1
40	1432595	Long armpad + tube + screw		2
41	1543219	Kit armpad long 380 mm + 4 screws <i>Replace 1426723</i>		2
42	1430424	Armrest 2 Screws Kit N°2		2
43	0572-02851	Armrest handle cover		2
44	1018225	Double stud spring		2
45	0572-03405	Short conical cap		2
46	0572-05368	Crossbar and armrest support kit		2
47	1491220	Lh armrest skirtguard 2 <i>Replace 1532799</i>		1
48	1491219	Rh armrest skirtguard 2 <i>Replace 1532800</i>		1
49	1431284	Lh Armrest Rear Support Kit		1
50	1430423	Rh Armrest Rear Support Kit		1
51	1573039	Fixed armrest N°2/3 fixation kit (pair)		1

## Armrest n°3 - Swing Away Detachable Height adjustable 2017-09-18=>



Pos.	Part number	Description	Valid from → until	Qty
1	SP1640357-0653	Lh armrest n°3 Matt Black - H & D adjustable - Short armpad <i>Replace 1428613-XXXX</i>	2017-09-18 →	1
2	SP1640358-0653	Rh Desk Armrest n°3 - H & D Adjustable - Matt Black <i>Replace 1428612-XXXX</i>	2017-09-18 →	1
3	SP1640460-0653	Lh armrest n°3 Matt Black - H & D adjustable - Long armpad <i>Replace 1428613-XXXX</i>	2017-09-18 →	1
4	SP1640461-0653	Rh Full Lenght Armrest n°3 - H & D Adjustable - Matt Black <i>Replace 1428612-XXXX</i>	2017-09-18 →	1
5	1434676	Short armpad		2
6	1434677	Long Armpad Flat Support		2
7	1535946	Armrest N°3 Screws Kit		2
8	SP1638698	Skirtguard n°3 <i>Replace 1426425</i>	2017-09-18 →	2
9	1524058	Armpad Support Pair		1
10	SP1601925	Unlocking button kit armrest 3		2
11	1018225	Double stud spring		2
12	0572-03405	Short conical cap		2
13	0572-05368	Crossbar and armrest support kit		2
14	5106533	Locking Screw M12x10		2
15	1431284	Lh Armrest Rear Support Kit		1
16	1430423	Rh Armrest Rear Support Kit		1
17	1573039	Fixed armrest N°2/3 fixation kit (pair)		1
18	1545574	Flat knurled screw M12 X 1 armrest n°3		2

# Armrest n°3 - Swing Away Detachable Height adjustable =>2017.09.17



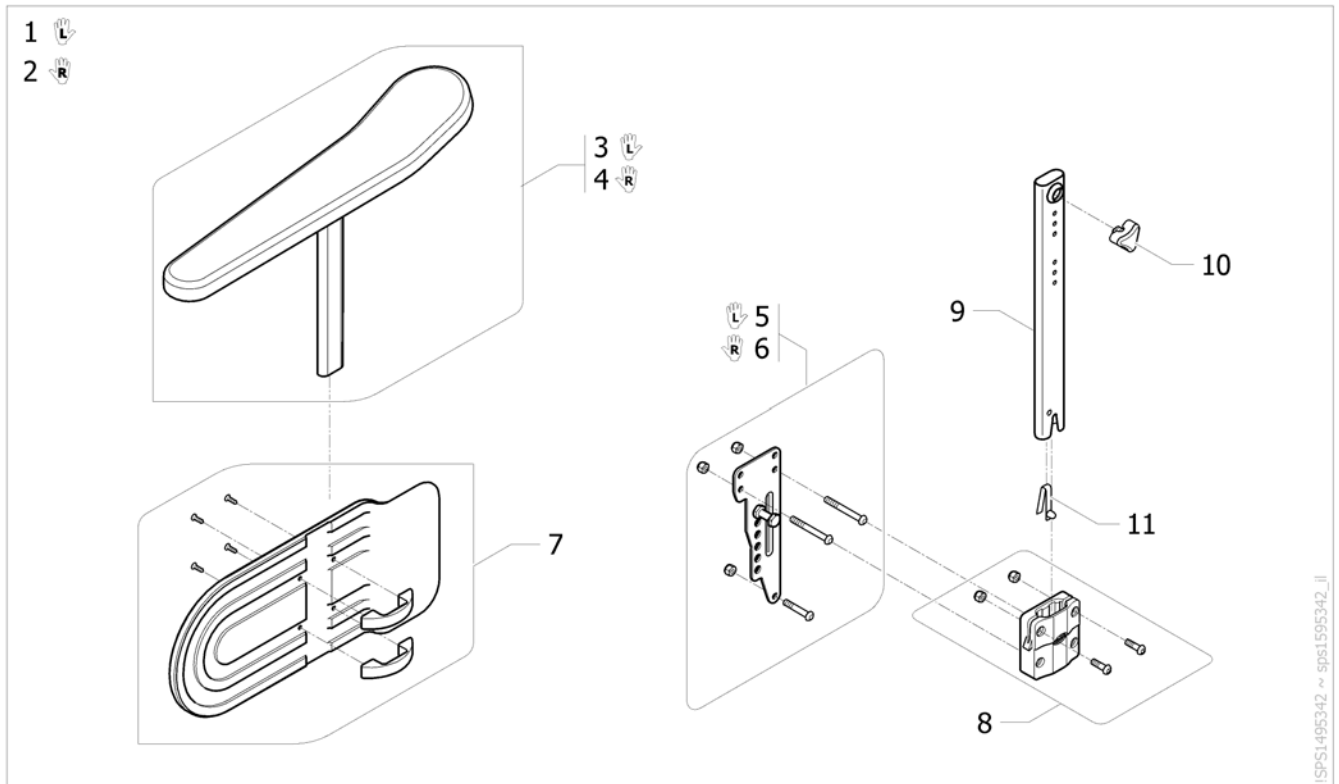
Pos.	Part number	Description	Valid from → until	Qty
1	1428613-0607	Lh Desk Armrest N°3 H & D Adjustable; Dark Red <i>[CE_0780][CK_0599]</i>		1
2	1428612-0607	Rh Desk Armrest N°3 H & D Adjustable; Dark Red <i>[CE_0680][CK_0539]</i>		1
3	1428613-0615	Lh Desk Armrest N°3 H & D Adjustable; Slate Grey <i>[CE_0780][CK_0599]</i>		1
4	1428612-0615	Rh Desk Armrest N°3 H & D Adjustable; Slate Grey <i>[CE_0680][CK_0539]</i>		1
5	1428613-0617	Lh Desk Armrest N°3 H & D Adjustable; Ocean Blue <i>[CE_0780][CK_0599]</i>		1
6	1428612-0617	Rh Desk Armrest N°3 H & D Adjustable; Ocean Blue <i>[CE_0680][CK_0539]</i>		1
7	1428613-0637	Lh Desk Armrest N°3 H & D Adjustable; Pearl White <i>[CE_0780][CK_0599]</i>		1
8	1428612-0637	Rh Desk Armrest N°3 H & D Adjustable; Pearl White <i>[CE_0680][CK_0539]</i>		1
9	1428613-0644	Lh Desk Armrest N°3 H & D Adjustable; Electric Green	2016-01-01 →	1
10	1428612-0644	Rh Desk Armrest N°3 H & D Adjustable; Electric Green	2016-01-01 →	1
11	1428613-0609	Lh Desk Armrest N°3 H & D Adjustable; Anthracite Black <i>[CE_0780][CK_0599]</i>		1
12	1428612-0609	Rh Desk Armrest N°3 H & D Adjustable; Anthracite Black <i>[CE_0680][CK_0539]</i>		1
13	1428615-0607	Lh Long Armrest N°3 H & D Adjustable; Dark Red <i>[CE_0790][CK_0600]</i>		1
14	1428614-0607	Rh Long Armrest N°3 H & D Adjustable; Dark Red <i>[CE_0690][CK_0540]</i>		1
15	1428615-0615	Lh Long Armrest N°3 H & D Adjustable; Slate Grey <i>[CE_0790][CK_0600]</i>		1
16	1428614-0615	Rh Long Armrest N°3 H & D Adjustable; Slate Grey <i>[CE_0690][CK_0540]</i>		1
17	1428615-0617	Lh Long Armrest N°3 H & D Adjustable; Ocean Blue <i>[CE_0790][CK_0600]</i>		1
18	1428614-0617	Rh Long Armrest N°3 H & D Adjustable; Ocean Blue <i>[CE_0690][CK_0540]</i>		1
19	1428615-0637	Lh Long Armrest N°3; H & D Adjustable; Pearl White <i>[CE_0790][CK_0600]</i>		1



**Armrest n°3 - Swing Away Detachable Height adjustable =>2017.09.17**

Pos.	Part number	Description	Valid from → until	Qty
20	1428614-0637	Rh Long Armrest N°3 H & D Adjustable; Pearl White <i>[CE_0690][CK_0540]</i>		1
21	1428615-0644	Lh Long Armrest N°3 H & D Adjustable; Electric Green	2016-01-01 →	1
22	1428614-0644	Rh Long Armrest N°3 H & D Adjustable; Electric Green	2016-01-01 →	1
23	1428615-0609	Lh Long Armrest N°3 H & D Adjustable; Anthracite Black <i>[CE_0790][CK_0600]</i>		1
24	1428614-0609	Rh Long Armrest N°3 H & D Adjustable; Anthracite Black <i>[CE_0690][CK_0540]</i>		1
25	1434676	Short armpad		2
26	1434677	Long Armpad Flat Support		2
27	1535946	Armrest N°3 Screws Kit		2
28	1524058	Armpad Support Pair		1
29	5106533	Locking Screw M12x10		2
30	1426725	Skirtguard black for armrest 3 <i>Replace 1532801 -1532802</i>		2
31	1018225	Double stud spring		2
32	0572-03405	Short conical cap		2
33	1431284	Lh Armrest Rear Support Kit		1
34	1430423	Rh Armrest Rear Support Kit		1
35	1573039	Fixed armrest N°2/3 fixation kit (pair)		1
36	0572-05368	Crossbar and armrest support kit		2
37	1545574	Flat knurled screw M12 X 1 armrest n°3		2

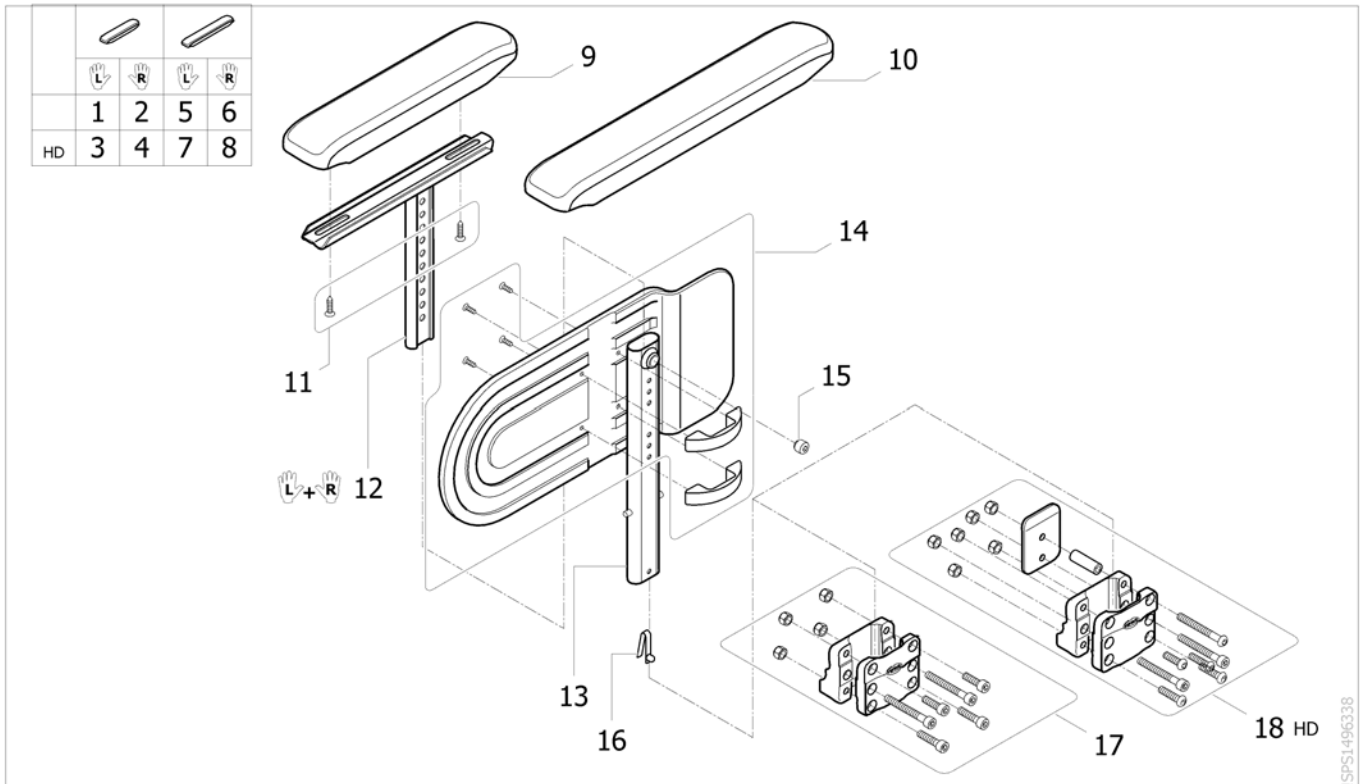
## Armrest n°4 - Removable and height adjustable Comfort



ISPS1495342 ~ sps1595342\_II

Pos.	Part number	Description	Valid from → until	Qty
1	1440894	Lh comfort armrest N°4 H & D Adjustable <i>[CE_0791]</i>		1
2	1440893	Rh comfort armrest N°4 H & D Adjustable <i>[CE_0691]</i>		1
3	1518702	ARMREST UPPER PART, HIGHT ADJ. LEFT <i>Replace 1435833</i>		1
4	1518701	ARMREST UPPER PART, HIGHT ADJ. RIGHT <i>Replace 1435832</i>		1
5	1442896	Lh Armrest Support Plate		1
6	1440953	Rh Armrest Support Plate		1
7	1430425	Skirtguard Armrest N°4 Fixation Kit		2
8	1440952	Central Support Armrest Kit Comfort		2
9	1440895	Lower support adjustable armrest comfort		2
10	1434623	Ball Screw Court 75mm <i>Replace 5106533</i>		1
11	1560734	Snap button		2

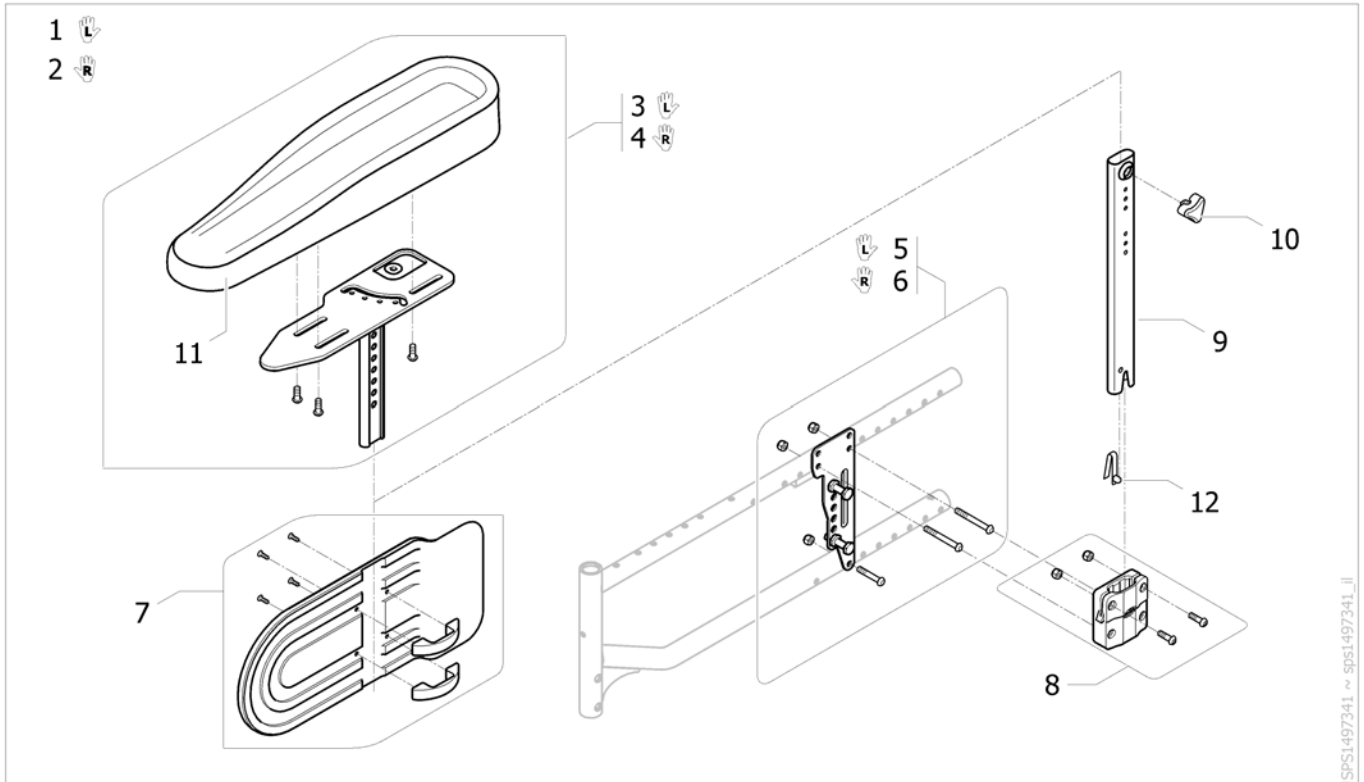
## Armrest n°4 - Removable and height adjustable



Pos.	Part number	Description	Valid from → until	Qty
1	1449988	Adjustable Armrest N°4, Short Pad Lh <i>[CE_0795][CK_0593]</i>		1
2	1449987	Adjustable Armrest N°4, Short Pad Rh <i>[CE_0695][CK_0533]</i>		1
3	1487438	Adjustable Armrest N°4, Short Pad Lh Hd <i>[HD+CE_0795][HD+CK_0593]</i>		1
4	1487437	Adjustable Armrest N°4, Short Pad Rh Hd <i>[HD+CE_0695][HD+CK_0533]</i>		1
5	1450016	Adjustable Armrest N°4, Long Pad Lh <i>[CE_0796][CK_0596]</i>		1
6	1450015	Adjustable Armrest N°4, Long Pad Rh <i>[CE_0696][CK_0536]</i>		1
7	1487440	Adjustable Armrest N°4, Long Pad Lh Hd <i>[HD+CE_0796][HD+CK_0596]</i>		1
8	1487439	Adjustable Armrest N°4, Long Pad Rh Hd <i>[HD+CE_0696][HD+CK_0536]</i>		1
9	1434676	Short armpad		2
10	1434677	Long Armpad Flat Support		2
11	0029-40532	Fbz Screw D 4,8X19 (Qty/pack:20)		4
12	1524058	Armpad Support Pair		1
13	1443058	Lowest Arm Rest Tube Support N°4		2
14	1430425	Skirtguard Armrest N°4 Fixation Kit		2
15	5106533	Locking Screw M12x10		2
16	0027-10003	Spring pin locked armrest		2
17	1430421	Central armrest support		2
18	1532575	Central armrest support - HD		1



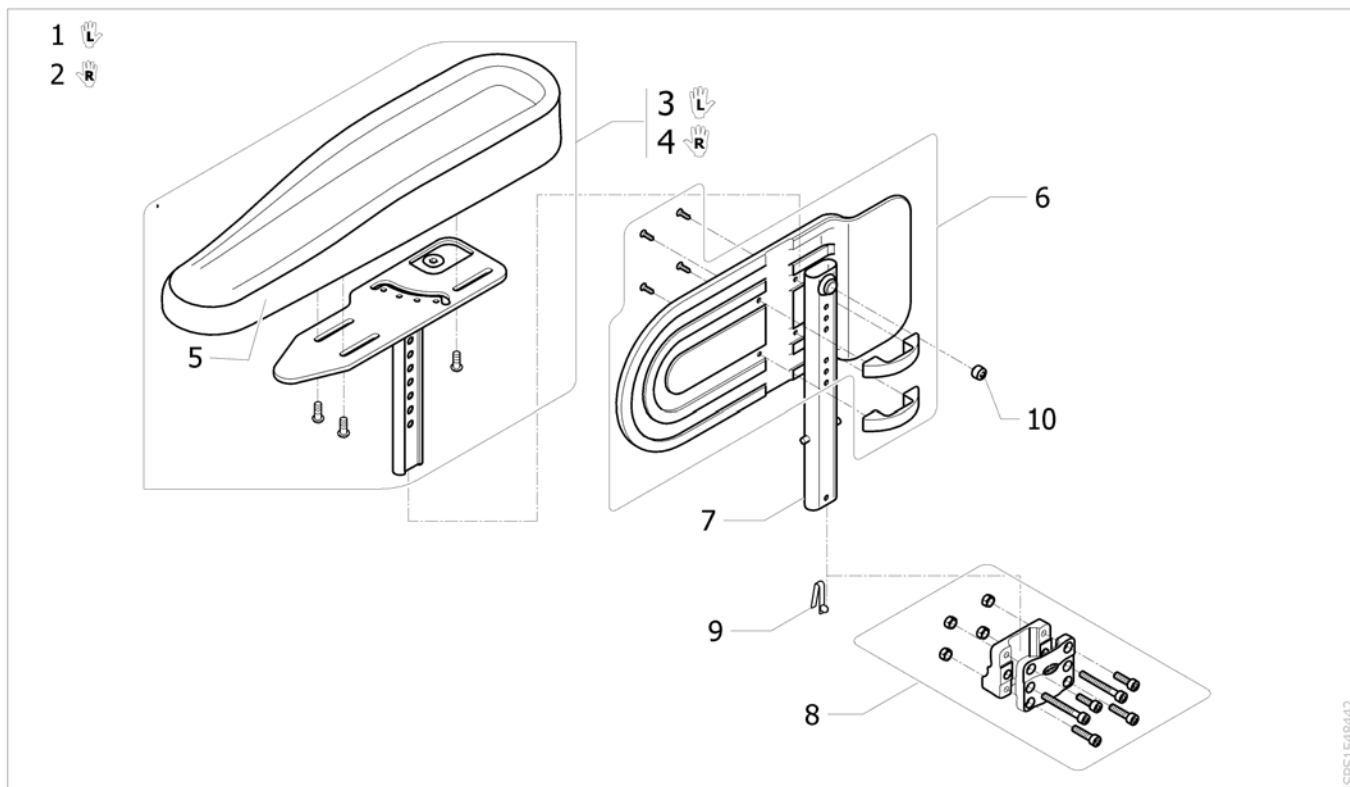
## Armrest n°4 - Hemiplegic Dartex multiposition comfort



SPS1497341 ~ SPS1497341\_II

Pos.	Part number	Description	Valid from → until	Qty
1	1497039	Lh hemi armrest N°4 multiposition <i>[CE_0832]</i>		1
2	1497008	Rh hemi armrest N°4 multiposition <i>[CE_0732]</i>		1
3	1493220	Lh hemi dartex armpad complete		1
4	1493219	Rh hemi dartex armpad complete		1
5	1442896	Lh Armrest Support Plate		1
6	1440953	Rh Armrest Support Plate		1
7	1430425	Skirtguard Armrest N°4 Fixation Kit		2
8	1440952	Central Support Armrest Kit Comfort		2
9	1440895	Lower support adjustable armrest comfort		2
10	1434623	Ball Screw Court 75mm <i>Replace 5106533</i>		2
11	1493251	Armpad, Hemi Armrest, Azalea		2
12	1560734	Snap button		2

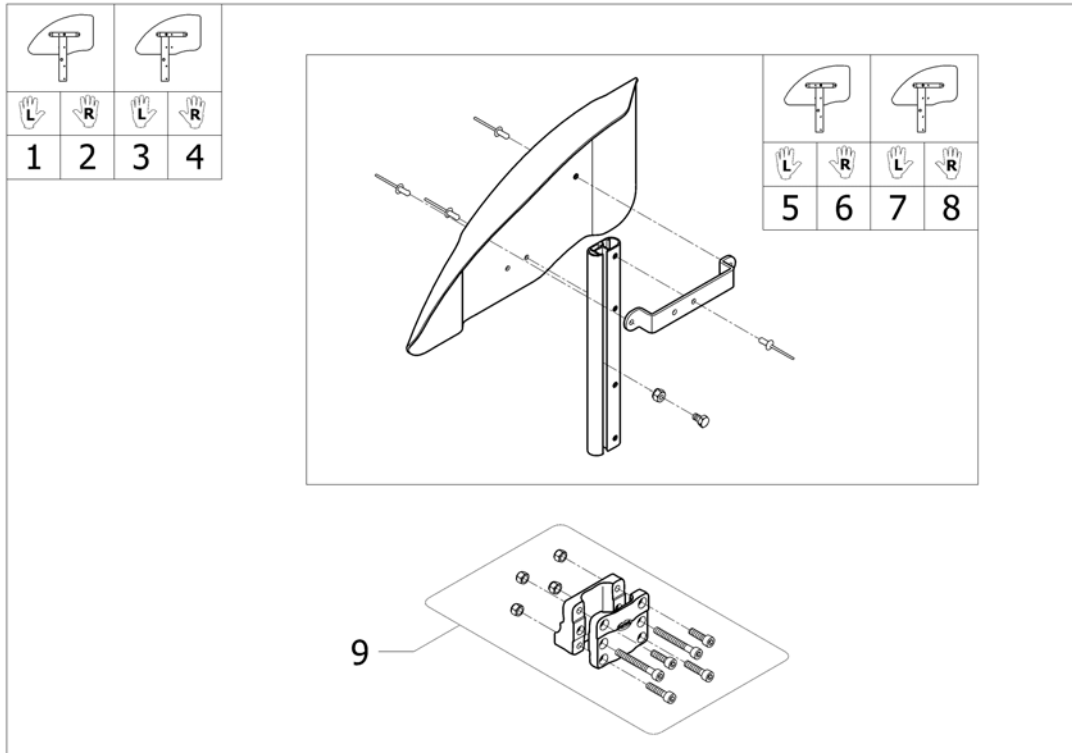
## Armrest n°4 - Hemiplegic Dartex multiposition standard



ISPS1548442

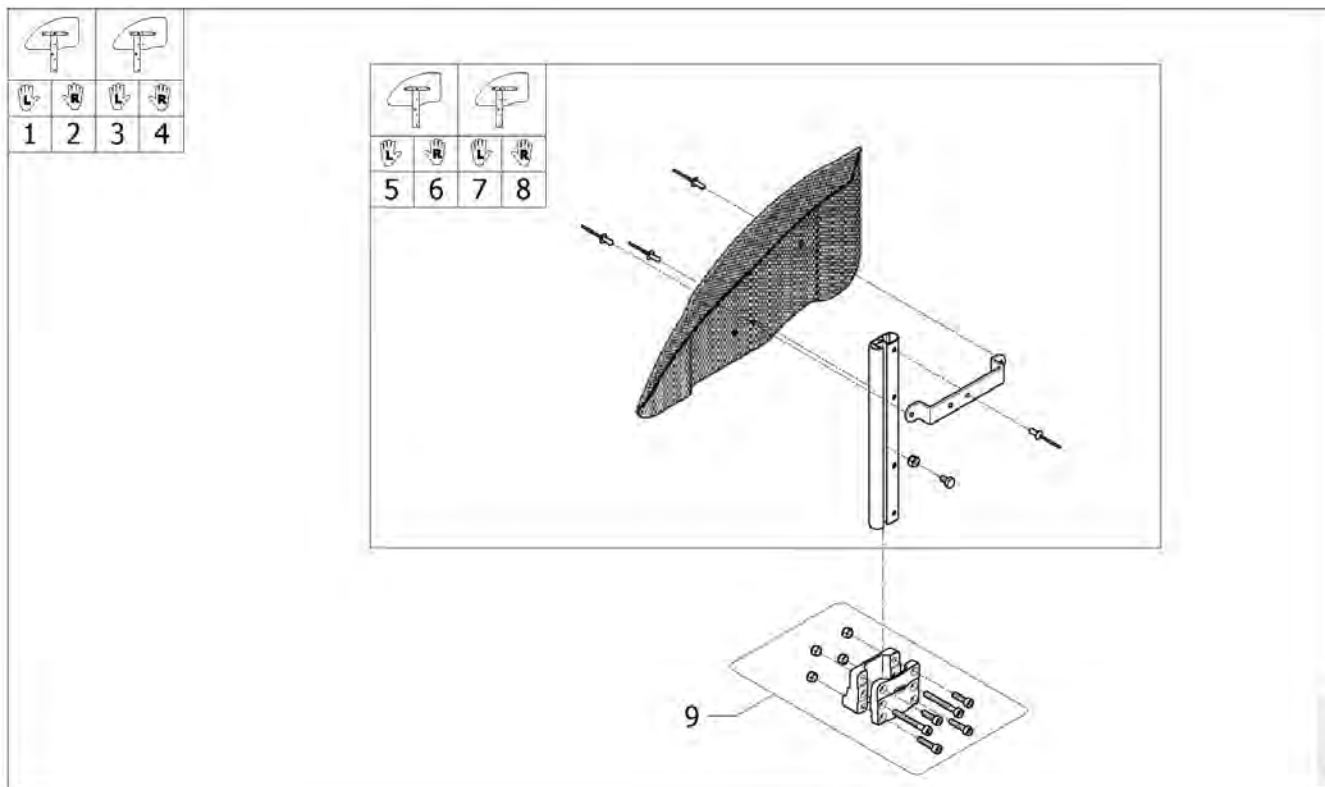
Pos.	Part number	Description	Valid from → until	Qty
1	1496103	Lh hemi armrest N°4 multiposition [CK_0615]		1
2	1496091	Rh hemi armrest N°4 multiposition [CK_0555]		1
3	1493220	Lh hemi dartex armpad complete		1
4	1493219	Rh hemi dartex armpad complete		1
5	1493251	Ampad, Hemi Armrest, Azalea		2
6	1430425	Skirtguard Armrest N°4 Fixation Kit		2
7	1443058	Lowest Arm Rest Tube Support N°4		2
8	1430421	Central armrest support		2
9	0027-10003	Spring pin locked armrest		2
10	5106533	Locking Screw M12x10		2

# Mudguard Xtra



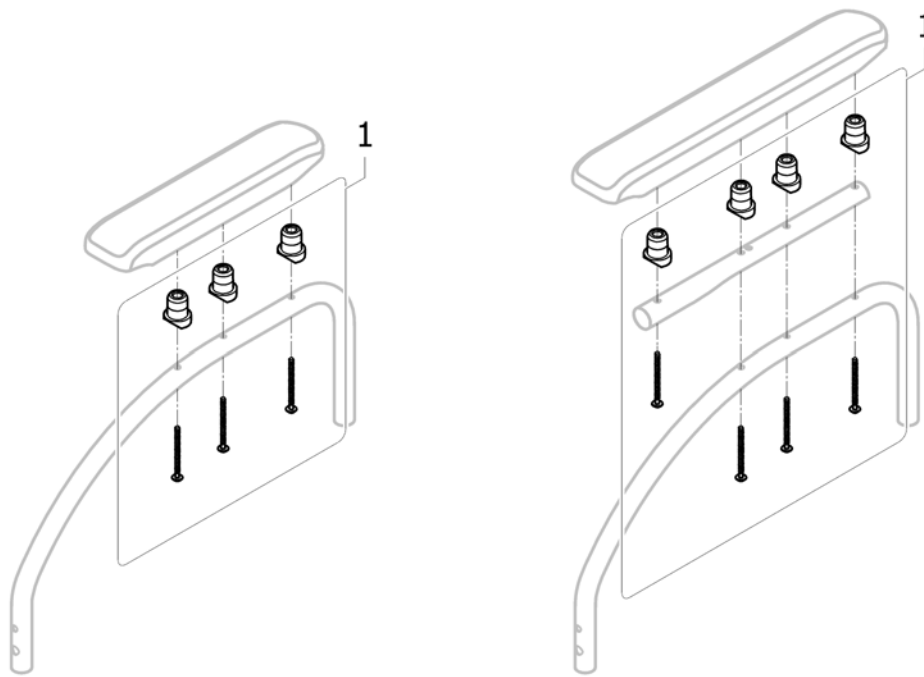
Pos.	Part number	Description	Valid from → until	Qty
1	1486042	Lh Mudguard A3 Complete <i>[CE_1190][CK_1055/CK_1060][CN_0160/CN_0162/CN_0170/CN_0171/CN_0250/CN_0255]</i>		1
2	1486041	Rh Mudguard A3 Complete <i>[CE_1190][CK_1055/CK_1060][CN_0160/CN_0162/CN_0170/CN_0171/CN_0250/CN_0255]</i>		1
3	1492739	Lh Mudguard A3-A3J Complete Back Position <i>[CE_1200/CE_1201][CK_1070/CK_1075][CN_0161/CN_0240/CN_0251]</i>		1
4	1492738	Rh Mudguard A3-A3J Complete Back Position <i>[CE_1200/CE_1201][CK_1070/CK_1075][CN_0161/CN_0240/CN_0251]</i>		1
5	1488806	Lh Mudguard + Fixation		1
6	1488805	Rh Mudguard + Fixation		1
7	1558371	Lh Mudguard back position + fixation		1
8	1558372	Rh Mudguard back position + fixation		1
9	1430421	Central armrest support		2

# Mudguard Carbon 2018.03.26=>



Pos.	Part number	Description	Valid from → until	Qty
1	SP1648986	Lh Mudguard Carbon complete, standard rear wheel position		1
2	SP1648987	Rh Mudguard Carbon complete, standard rear wheel position		1
3	SP1648988	Lh Mudguard Carbon rearward position complete, back rear wheel position		1
4	SP1648989	Rh Mudguard Carbon rearward position complete, back rear wheel position		1
5	SP1649025	Lh Mudguard Carbon, standard rear wheel position		1
6	SP1649026	Rh Mudguard Carbon, standard rear wheel position		1
7	SP1649027	Lh Mudguard Carbon rearward position, back rear wheel position		1
8	SP1649028	Rh Mudguard Carbon rearward position, back rear wheel position		1
9	1430421	Central armrest support		2

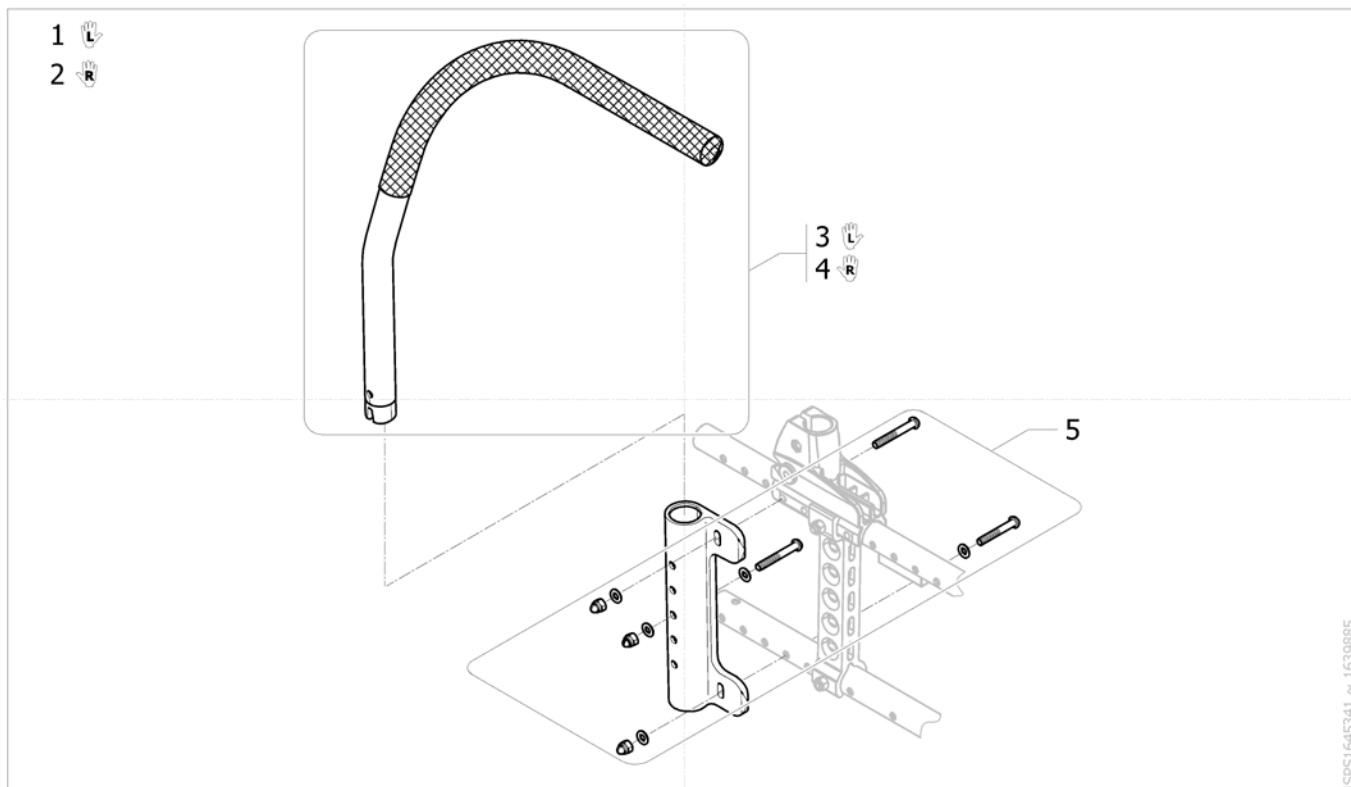
## Armpads raiser kit



15P133306

Pos.	Part number	Description	Valid from → until	Qty
1	1543248	Pair of armpads raiser kit 2 x 4 spacers + screws <i>Replace 1443006</i>	2010-06-10 →	1

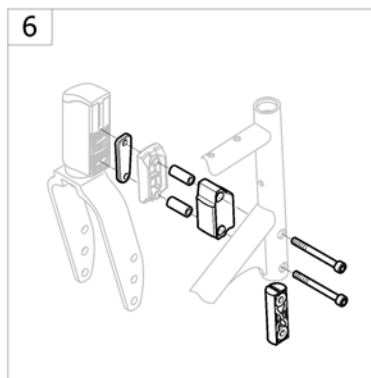
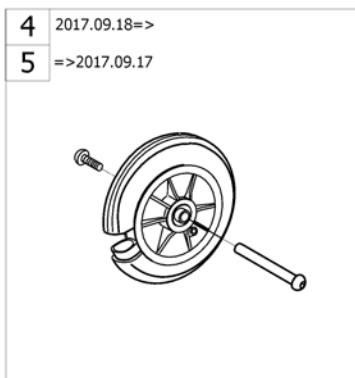
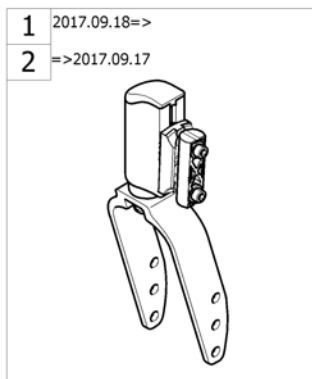
# Tubular Armrest



ISPS1645341 ~ 1639885

Pos.	Part number	Description	Valid from → until	Qty
1	SP1644420	Tubular armrest LH, Swing away padded tube	2017-09-18 →	1
2	SP1644421	Tubular armrest RH, Swing away padded tube	2017-09-18 →	1
3	SP1645230	Left tubular armrest assembly	2017-09-18 →	1
4	SP1645231	Right tubular armrest assembly	2017-09-18 →	1
5	SP1645232	Fixing tubular armrest kit	2017-09-18 →	2

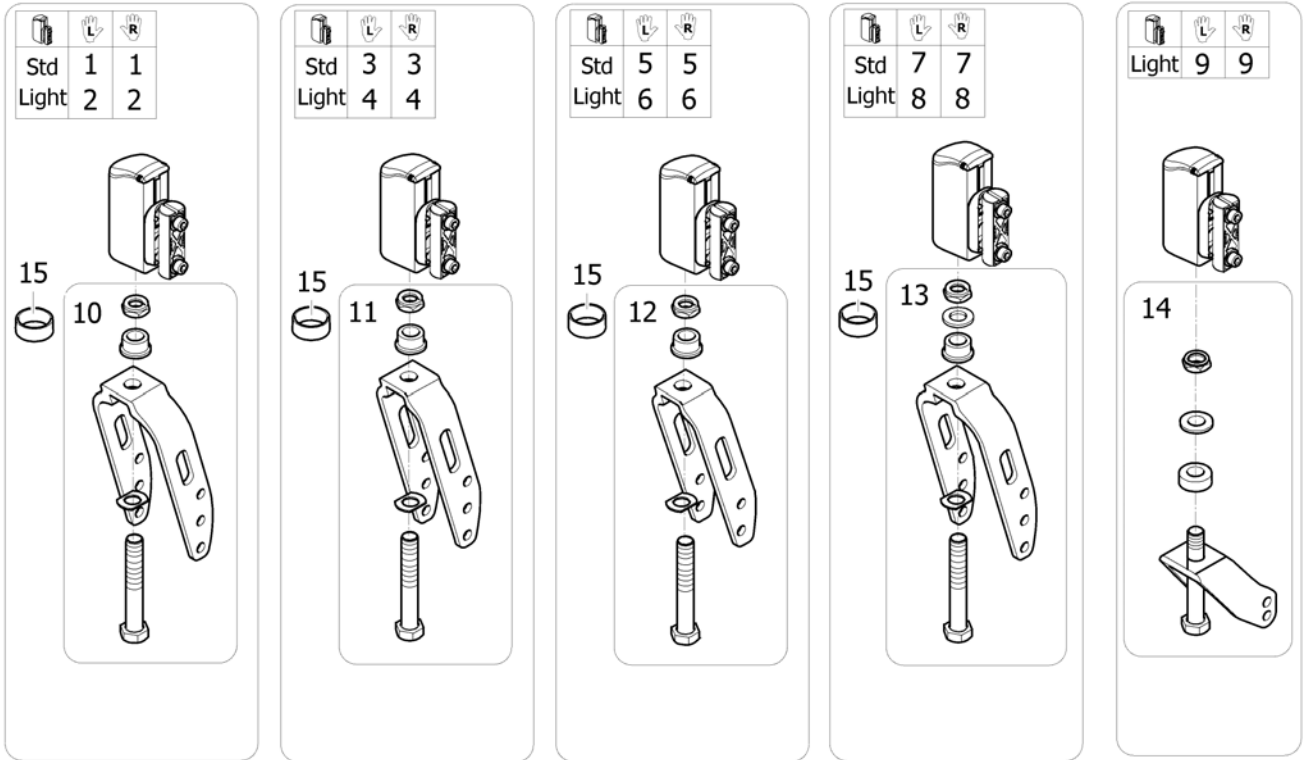
# Front Wheels



-<SPACTION3NG50

Pos.	Part number	Description	Valid from → until	Qty
1	-	Forks 2017.09.18 =>	2017-09-18 →	1
2	-	Forks => 2017.09.17.		1
3	-	Forks supports adjustable	2017-09-18 →	1
4	-	Front Wheel 2017.09.18 =>	2017-09-18 →	1
5	-	Front wheel extension kit	2017-09-18 →	1
5	-	Front wheels => 2017.09.17		1

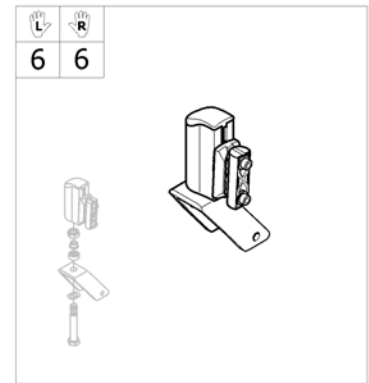
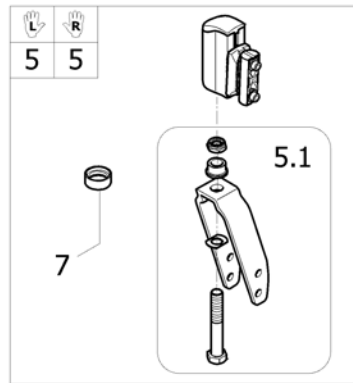
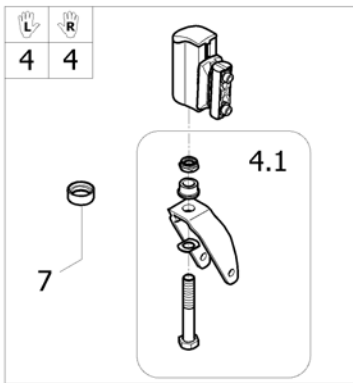
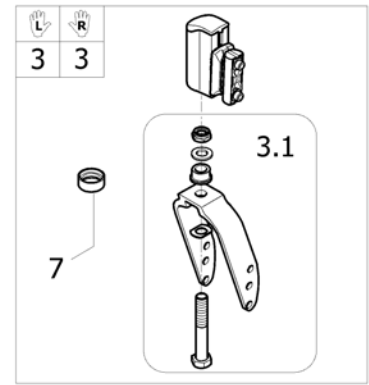
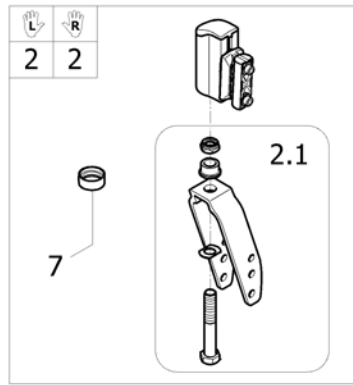
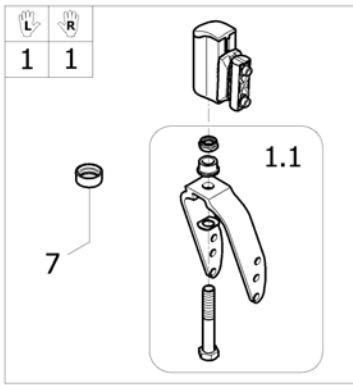
## Forks 2017.09.18 =>



ISPS1644553 ~ sps1638817

Pos.	Part number	Description	Valid from → until	Qty
2	SP1644388	Kit fork Action Alu Black W60 support Light	2017-09-18 →	2
1	SP1644387	Kit fork Action Alu Black W61 support Std	2017-09-18 →	2
3	SP1644395	Kit fork Action Alu Black W40 support Std 3 pos	2017-09-18 →	2
4	SP1644396	Kit fork Action Alu Black W40 support light 3 pos	2017-09-18 →	2
5	SP1644391	Kit fork Action Alu Black W40 support Std 2 pos	2017-09-18 →	2
6	SP1644392	Kit fork Action Alu Black W40 support light 2 pos	2017-09-18 →	2
7	SP1644399	Kit fork Action Alu Black W61 support Std + washer	2017-09-18 →	2
8	SP1644400	Kit fork Action Alu Black W60 support Light + washer	2017-09-18 →	2
9	SP1644403	Kit fork Action Alu Black W40 Ultra low support Light	2017-09-18 →	2
10	SP1644353	Kit fork Action alu black W60, 3 pos + axle	2017-09-18 →	2
11	SP1644455	Kit fork Action alu black W40 3 Pos + axle	2017-09-18 →	2
12	SP1644454	Kit fork Action alu black W40 Junior 2 Pos + axle	2017-09-18 →	2
13	SP1644530	Kit fork Action alu black W61, 3 positions + axle (wheel 5" 1/2)	2017-09-18 →	2
14	SP1645352	Kit fork Action Ultra Low W40	2017-09-18 →	2
15	SP1529516-9005	Fork ring Black	2017-09-18 →	2

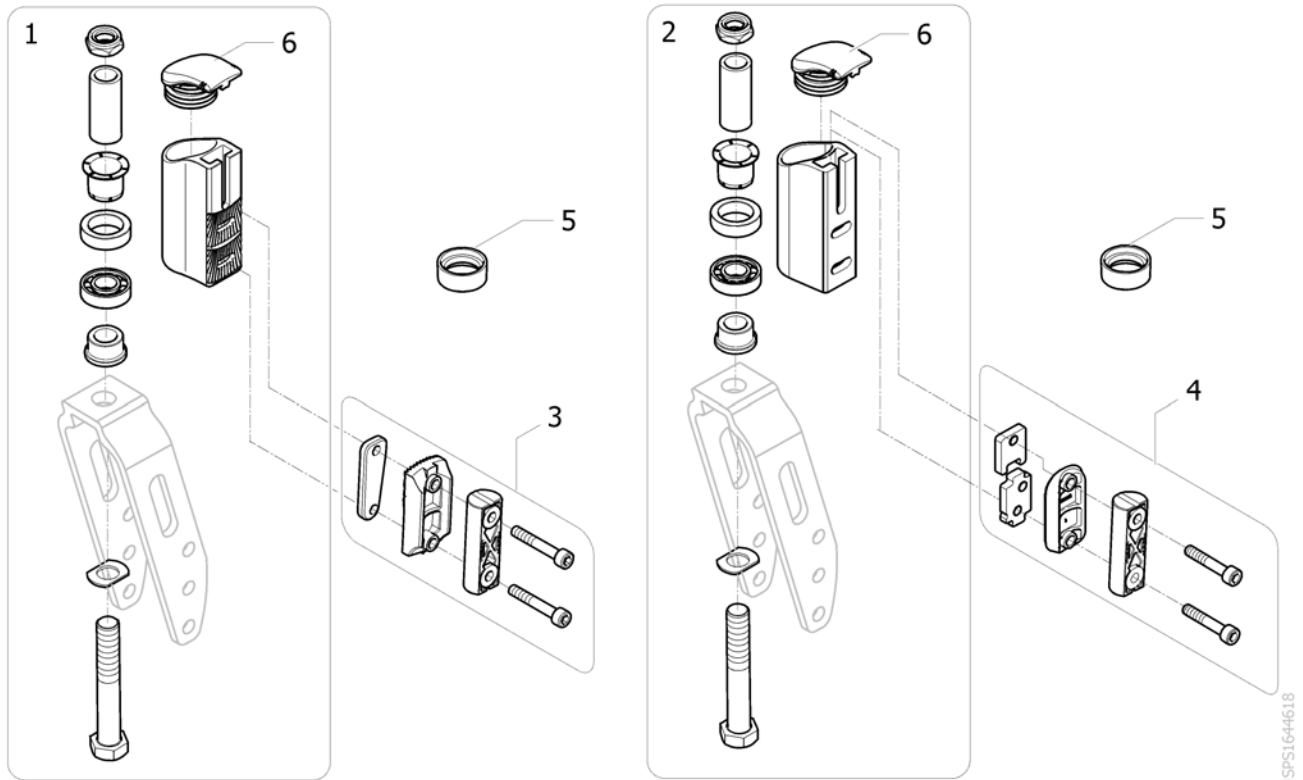




ISPS1535348 ~ 1545621

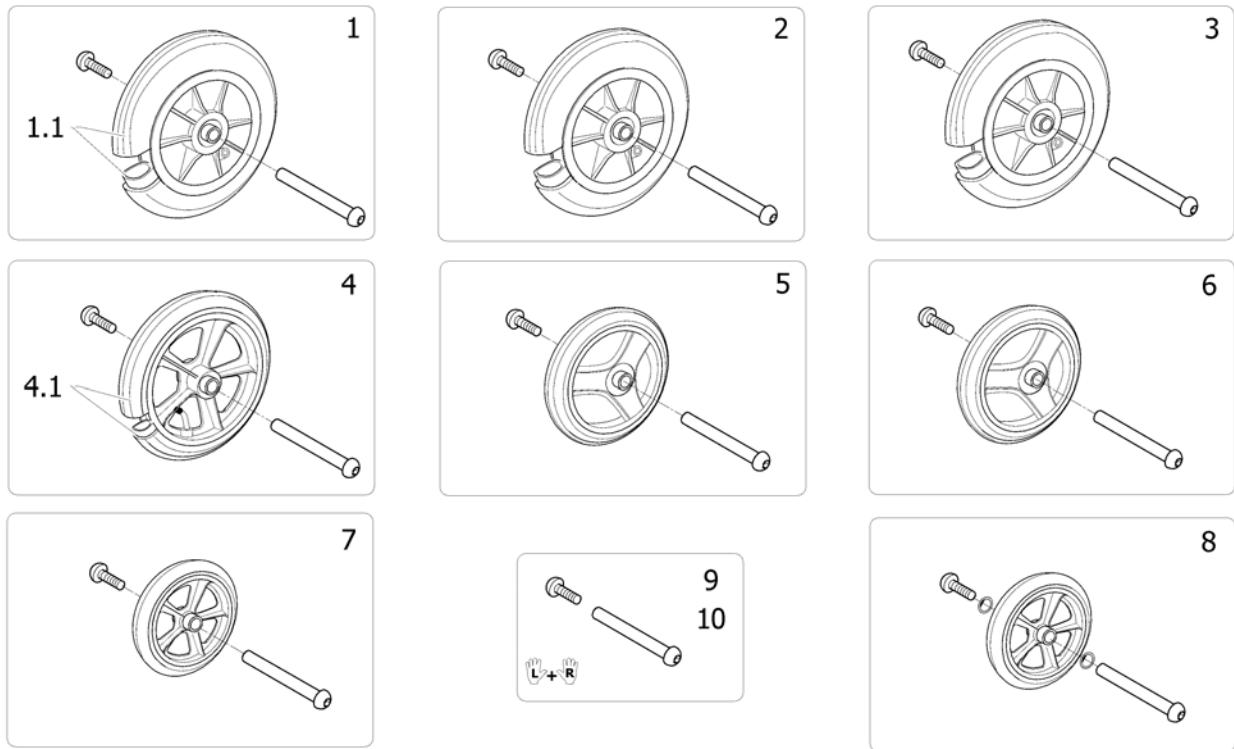
Pos.	Part number	Description	Valid from → until	Qty
1	1450025	Kit fork Action alu black W61, 3 positions + axle + support adj		2
1.1	1444802	Kit fork Action alu black W61, 3 positions + axle		2
2	1450026	Kit fork Action alu black W36 3 positions + axle + support adj <i>[A3NGXtra][CK_0890/CK_0900]</i>		2
2.1	1444803	Kit fork Action alu black W36, 3 positions + axle <i>[A3NGXtra][CK_0890/CK_0900]</i>		2
3	1538177	Kit fork Action alu black W61, 3 positions + axle + support adj + spacers (wheel 5" 1/2) <i>[CE_1052][CK_0901]</i>		2
3.1	1515699	Kit fork Action alu black W61, 3 positions + axle (wheel 5" 1/2) <i>[CE_1052][CK_0901]</i>		2
4	1450027	Kit fork Action alu black W36, 1 position + axle + support adj <i>[CE_0310][CK_0920]</i>		2
4.1	1451775	Kit fork Action alu black W36, 1 position + axle <i>[CE_0310][CK_0920]</i>		2
5	1513247	Kit fork Action alu black W36, 2 positions + axle + support adj <i>[A3NGCompact/CE_1051] - Replace 1529518</i>		2
5.1	1513536	Kit fork Action alu black W36, 2 positions + axle <i>[A3NGCompact/CE_1051]</i>		2
6	1548510	Kit fork Action alu black W40, 1 position + axle + support adj ultra low <i>[CE_0315][CK_0265]</i>		2
7	1529516-0618	Fork ring Champagne		2

## Forks supports adjustable



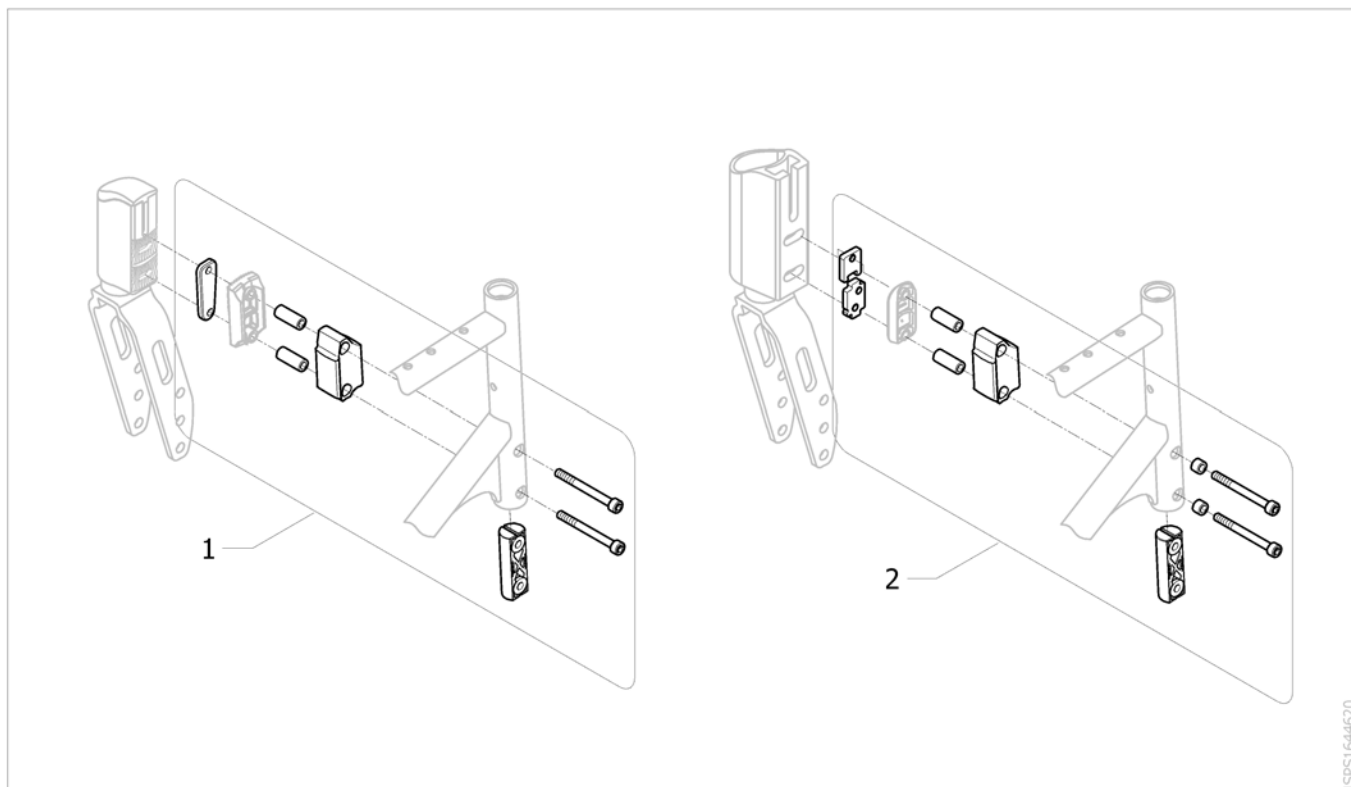
Pos.	Part number	Description	Valid from → until	Qty
1	SP1608074	Kit fork support adj Action alu black, bearing housing + axle (2011		2
2	SP1644532	Kit fork Support Light	2017-09-18 →	2
3	1450028	Kit fork support adj Action alu black, plate & inserts only		2
4	SP1644531	Kit fork fixation support Light	2017-09-18 →	2
5	SP1529516-9005	Fork ring Black	2017-09-18 →	2
6	1540575	Plastic plug, castor housing		2

**Front Wheel 2017.09.18 =>**



Pos.	Part number	Description	Valid from → until	Qty
1	0572-02071	Front wheel 8" x 2" (200x50) + axle, Pneumatic tyre, L60 mm		2
1.1	1430874	Pneumatic tyre 8" x 2" + inner tube		2
2	SP1643481	Front wheel 8x2 (200x50) solid tyre Black + axle for fork width 60 mm	2017-09-18 →	2
3	SP1643480	Front wheel 8x1.1/4 (200x32) solid tyre Black + axle for fork width 60 mm	2017-09-18 →	2
4	0572-01859	Front wheel 8" x 1.1/4" + axle, Pneumatic tyre, L60 mm		2
4.1	1430873	8" x 1.1/4" pneumatic tyre + inner tube		2
5	1450622	A4 6 Castor Medium Hard Type Complete L :36 mm		2
6	SP1643482	Front wheel 6x1.1/4 (125x32) solid tyre Black + axle for fork width 40 mm	2017-09-18 →	2
7	1515254	Front wheel 5,5"x 1.3/4" + axle, Medium Hard, Solid tyre, L60 mm		2
8	SP1643414	Front wheel 5x1.1/4 (125x30) solid tyre + axle for fork width 40 mm	2017-09-18 →	2
9	1561355	Kit axle M8 for forks L60 (Pair)		1
10	SP1570168	Kit axle M8 for forks L40 (Pair)	2017-09-18 →	1

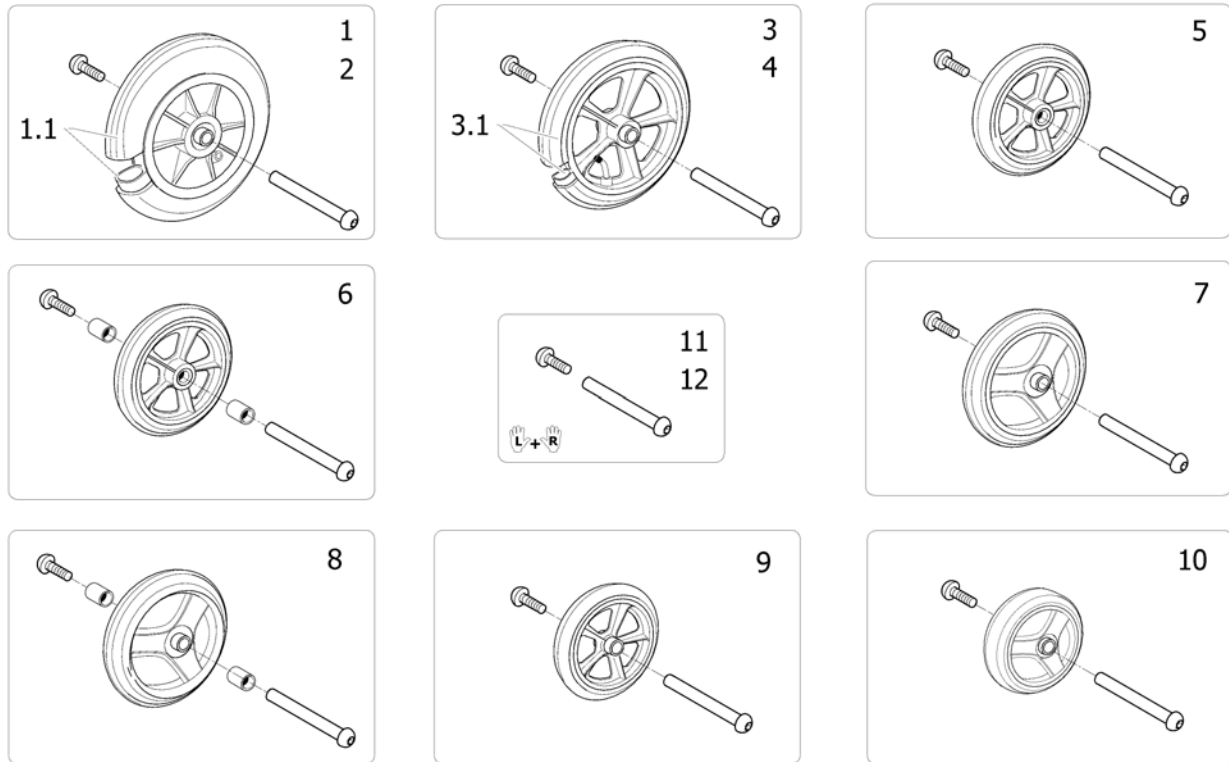
## Front wheel extension kit



ISPS1644620

Pos.	Part number	Description	Valid from → until	Qty
1	1497767	Front wheel extension kit		2
2	SP1644451	Kit fork extension fixation support Light	2017-09-18 →	2

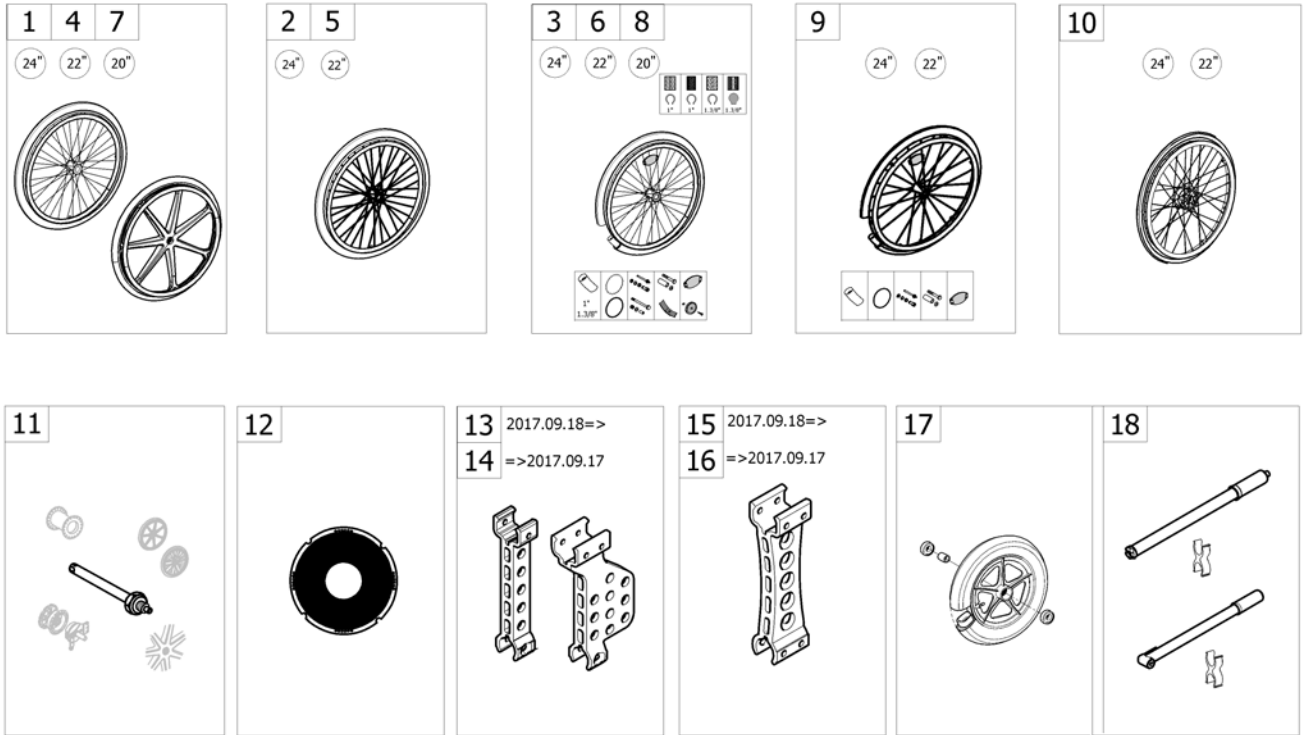
## Front wheels => 2017.09.17



ISPS1529638

Pos.	Part number	Description	Valid from → until	Qty
1	0572-02071	Front wheel 8" x 2" (200x50) + axle, Pneumatic tyre, L60 mm		2
1.1	1430874	Pneumatic tyre 8" x 2" + inner tube		2
2	SP1584031	Front wheel 8" x 2" (200x45) + axle, Solid tyre, L60 mm <i>Replace 0572-06128 for wheelchair after 2014/05/15</i>	2014-05-16 →	2
2	SP1581577	Pair front wheel 8" x 2" (200x45) + axle, Solid tyre, L60 mm <i>Replace 0572-06128 for wheelchair before 2014/05/16</i>	→ 2014-05-15	1
3	0572-01859	Front wheel 8" x 1.1/4" + axle, Pneumatic tyre, L60 mm		2
3.1	1430873	8" x 1.1/4" pneumatic tyre + inner tube		2
4	SP1584032	Front castor 8" x 1.1/4" (200x30) + axle, Solid tyre, L60 mm <i>Replace 0572-02013 for wheelchair after 2014/06/02</i>	2014-06-03 →	2
4	SP1582956	Pair front wheel 8" x 1.1/4" (200x30) + axle, solid tyre, L60 mm <i>Replace 0572-02013 for wheelchair before 2014/06/03</i>	→ 2014-06-02	1
5	SP1589882	Front wheel 6"x 1.1/4" + axle, Solid type, L36 mm <i>Replace 1450174 for wheelchair after 2015/03/31</i>	2015-04-01 →	2
5	SP1589883	Pair front wheel 6"x 1.1/4" + axle, Solid type, L36 mm <i>Replace 1450174 for wheelchair before 2015/04/01</i>	→ 2015-03-31	1
6	SP1589884	Front wheel 6" x 1.1/4" + axle, Solid tyre, L60 mm <i>Replace 1428895 for wheelchair after 2015/03/31</i>	2015-04-01 →	2
6	SP1589885	Pair front wheel 6" x 1.1/4" + axle, Solid tyre, L60 mm <i>Replace 1428895 for wheelchair before 2015/04/01</i>	→ 2015-03-31	1
7	1450622	A4 6 Castor Medium Hard Type Complete L :36 mm		2
8	1450176	Front wheel 6" x 1.1/4" + axle, Medium hard, L60 mm		2
9	1515254	Front wheel 5,5"x 1.3/4" + axle, Medium Hard, Solid tyre, L60 mm	2012-10-30 →	2
10	SP1585997	Front wheel 125x30 solid tyre + axle for fork width 36mm <i>Replace 1450173 for wheelchair after 27/01/2015</i>	2015-01-28 →	2
10	SP1586003	Pair front wheels 125x30 solid tyre + axle for fork width 36mm <i>Replace 1450173 for wheelchair before 28/01/2015</i>	→ 2015-01-27	1
11	1561355	Kit axle M8 for forks L60 (Pair)		1
12	1561356	Kit axle M8 for forks L36 (Pair)		1

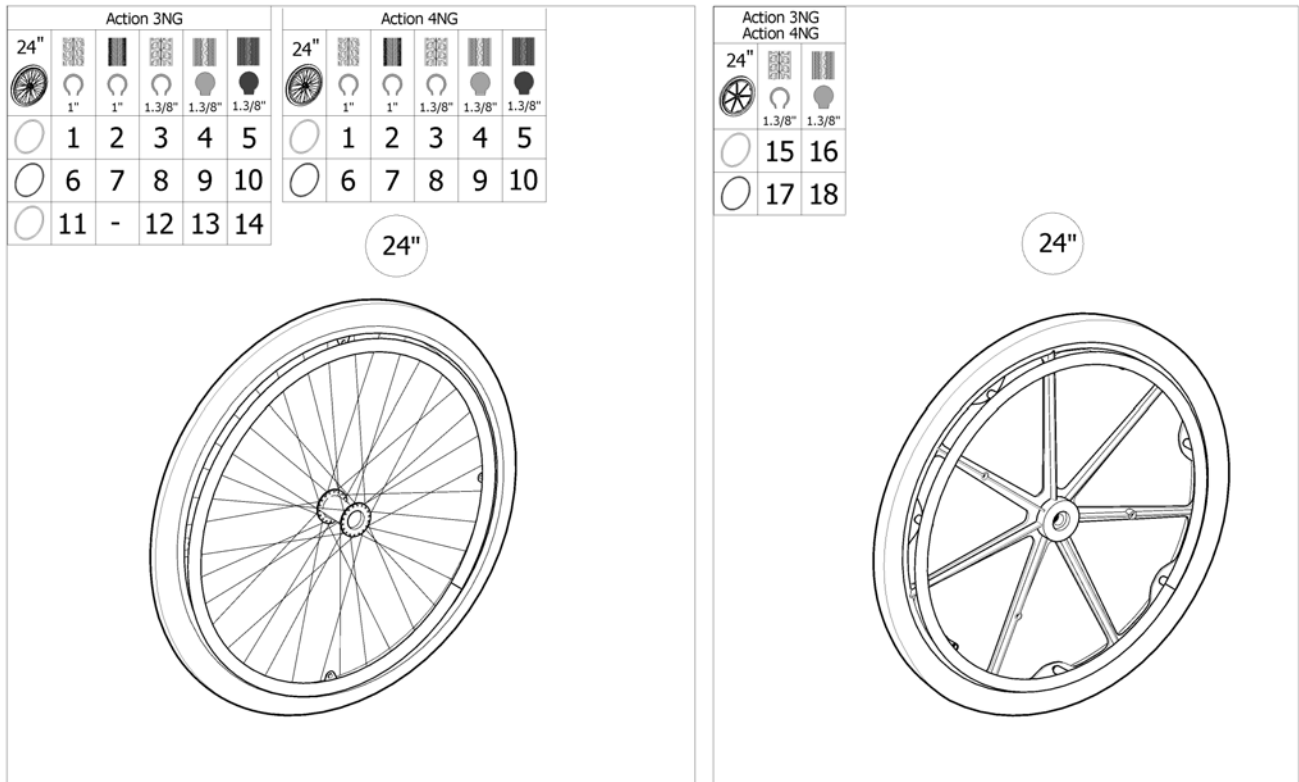
## Rear Wheels



-<SPACTION3NG55

Pos.	Part number	Description	Valid from → until	Qty
1	-	24" Standard Wheels		1
2	-	24" Heavy Duty Wheels =>2016-12-31	→ 2016-12-31	1
3	-	24" Standard Wheels accessories		1
4	-	22" Standard Wheels		1
5	-	22" Heavy Duty Wheels		1
6	-	22" Standard Wheels accessories		1
7	-	20" Standard Wheels		1
8	-	20" Standard Wheels accessories		1
9	-	22"/24" Lightweight Wheels & Accessories		1
10	-	24" / 22" Hub brake wheels (Max user weight of 160 kg for Action4NG HD)		1
11	-	Quick release axle dia 12 Action		1
12	-	Spoke Guard [CE_1260/CE_1261]		1
13	-	Rear Wheel Supports Black 2017.09.18 =>		1
14	-	Rear Wheel Supports => 2017.09.17		1
15	-	Rear Wheel Supports Black Action XT		1
17	-	12" Rear Wheels		1
18	-	Pump [CE_1230/CE_1235]		1

## 24" Standard Wheels



Pos.	Part number	Description	Valid from → until	Qty
1	1498425	24" x 1" wheel,spoked,anodized handrim,notched pneumatic <i>Replace 1555608</i>		2
2	1498431	24" x 1" wheel,spoked,anodized handrim,non marking pneumatic <i>Replace 1555618</i>		2
2	1498431-0618	24" x 1" wheel, spoked champagne, anodized handrim, non marking pneumatic	→ 2017-09-17	2
3	1498423	Wheel 24"x1.3/8in spoked + anod handrim + pneu-tyre <i>[CE_1080][CK_0950]</i>		2
4	1498263	Wheel 24"x1.3/8in spoked std hub anod handrim + solid-tyre		2
5	SP1640949	24" x 1.3/8" wheel, spoked, anodized handrim, black solid tyre <i>[CE_1081][CK_0951]</i>	2017-09-18 →	2
6	1498426	24" x 1" wheel,spoked,anti-slip handrim,notched pneumatic <i>Replace 1555706</i>		2
7	1534211-0618	24" x 1" wheel,spoked,champagne,anti-slip handrim,non marking pneumatic	→ 2017-09-17	2
8	1498424	24" x 1.3/8" wheel,spoked,anti-slip handrim,pneumatic <i>Replace 1555624</i>		2
9	1498422	24" x 1.3/8" wheel,spoked,anti-slip handrim,solid tyre <i>[CE_1080][CK_0950] - Replace 1555623</i>		2
10	SP1640950	24" x 1.3/8" wheel, spoked, anti-slip handrim, black solid tyre <i>[CE_1081][CK_0951]</i>	2017-09-18 →	2
11	SP1649242	Wheels 24" in spok pneu-tyre 1" in hand Stainless	2018-03-26 →	2
12	SP1649239	Wheels 24x1.3/8in spok pneu-tyre hand Stainless	2018-03-26 →	2
13	SP1649241	Wheels 24x1.3/8 solid tyre,hand Stainless	2018-03-26 →	2
14	SP1649240	Wheels 24x1.3/8 Black solid tyre,hand Stainless	2018-03-26 →	2
15	1572451	24" x 1.3/8" composite, anodized handrim, pneumatic Krypton		2
15	1423312	Pair of wheels 24" x 1.3/8" composite, anodized handrim, pneumatic <i>Replace 0572-05909</i>	2009-09-16 → 2013-10-13	1
16	1572452	24" x 1.3/8" composite, anodized handrim, solid tyre Krypton		2
16	1423310	Pair of wheels 24" x 1.3/8" composite, anodized handrim, solid tyre <i>Replace 0572-05908</i>	2009-09-16 → 2013-10-13	1
17	1572542	24" x 1.3/8" composite, anti-slip handrim, pneumatic	2013-10-14 →	2

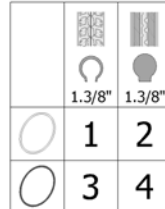
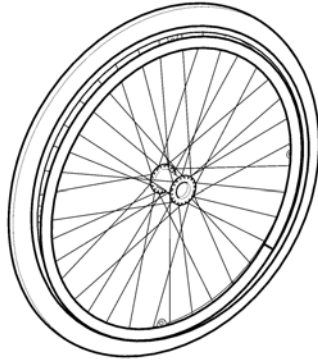
## 24" Standard Wheels

Pos.	Part number	Description	Valid from → until	Qty
17	1419833	Pair of wheels 24"x1.3/8"composite, anti-slip handrim, pneumatic <i>Replace 0572-05193</i>	2009-09-16 → 2013-10-13	1
18	1572543	24" x 1.3/8" composite, anti-slip handrim, solid tyre	2013-10-14 →	2
18	1419835	Pair of wheels 24"x1.3/8"composite, anti-slip handrim, solid tyre <i>Replace 0572-05195</i>	2009-09-16 → 2013-10-13	1



## 24" Heavy Duty Wheels =>2016-12-31

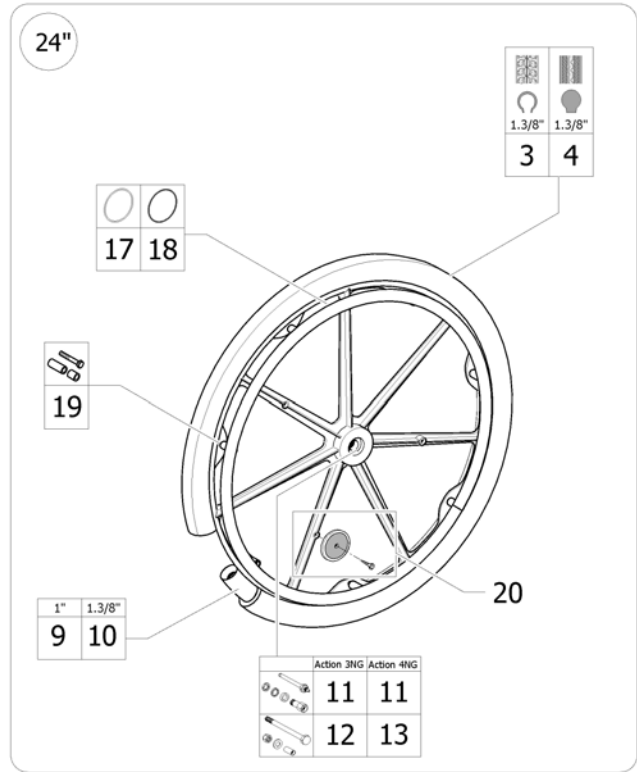
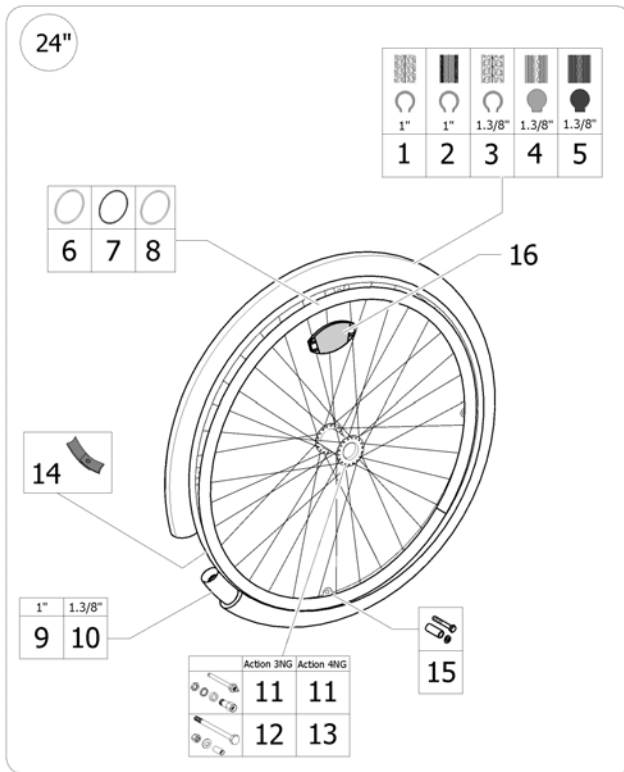
24"



82133331

Pos.	Part number	Description	Valid from → until	Qty
1	1498486	Rear wheel, 24", HD, pneumatic tyre 1.3/8", aluminium handrim	→ 2016-12-31	2
2	1498467	Rear wheel, 24", HD, solid tyre 1.3/8", aluminium handrim	→ 2016-12-31	2
3	1498492	Rear wheel, 24", HD, pneumatic tyre 1.3/8", anti-slip handrim	→ 2016-12-31	2
4	1498478	Rear wheel, 24", HD, solid tyre 1.3/8", anti-slip handrim	→ 2016-12-31	2

## 24" Standard Wheels accessories

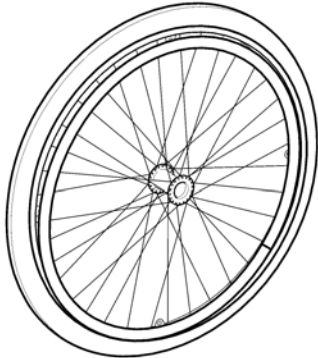


ISPS1636350

Pos.	Part number	Description	Valid from → until	Qty
1	0036-30013	Notched pneumatic tyre, 24" x 1", Grey		2
2	SP1585334	Pneumatic tyre, 24"x 1", HP Grey and Black		2
3	0036-30001	Pneumatic Tyre, 24" x 1.3/8", Grey		2
4	0036-10013	Solid tyre, 24" x 1.3/8", grey		2
5	SP1640957	Solid Tyre 24 x 1.3/8", Black	2017-09-18 →	2
6	1505291	Kit Handrim 24"Aluminum 4 fixations	2009-09-16 →	2
7	1505298	Kit Handrim 24"Plastic 4 fixations	2009-09-16 →	2
8	SP1591282	Kit Handrim 24"Stainless 4 fixations		2
9	1032240	Inner tube, 24" x 1"		2
10	0036-20001	Inner Tube 24"x1"3/8"		2
11	1505288	QR axle with axle bearing Ø12		2
12	1505289	Fixed axle for spoked wheels		2
13	SP1603997	Fixed axle for spoked wheels Action 4NG	2018-03-26 →	2
14	0036-40003	Rim tape 24"		2
15	1573626	Kit handrim fixation for spoked wheel, 4 pts		2
16	N90003	Kit reflector for spoked wheel		2
17	1581659	24" anodized handrim + fixations, 7 points	2014-04-28 →	2
17	1431317	24" anodized handrim + fixations, 7 points	→ 2014-04-27	2
17	1545554	24" anodized handrim + fixations, 7 points (MBL)	2010-09-23 → 2011-06-21	2
18	1581660	24" Anti-slip handrim + fixations, 7 points	2014-04-28 →	2
18	1431318	24" Anti-slip handrim + fixations, 7 points	→ 2014-04-27	2
18	1545555	24" anti-slip handrim + fixations, 7 points (MBL)	2010-09-23 → 2011-06-21	2
19	1573627	Kit handrim fixation for composite wheel, 7 points	→ 2014-04-27	2
19	1581725	Kit handrim fixation for composite wheel, 7 points	2014-04-28 →	2
20	9037-30001	Kit reflector for composite wheel		2

**22" Standard Wheels**

22"



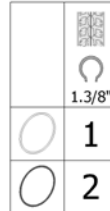
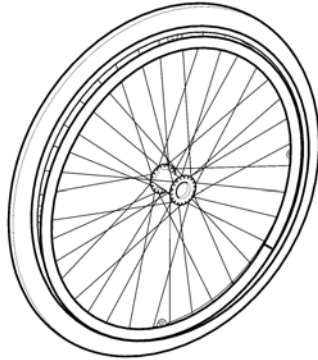
	1.3/8"	1.3/8"
	1	2
	3	4

19133331

Pos.	Part number	Description	Valid from → until	Qty
1	1498434	22" x 1.3/8" wheel,spoked,anodized handrim,pneumatic		2
2	1498432	22" x 1.3/8" wheel,spoked,anodized handrim,solid tyre,		2
3	1498435	22" x 1.3/8" wheel,spoked,anti-slip handrim,pneumatic		2
4	1498433	22" x 1.3/8" wheel,spoked,anti-slip handrim,solid tyre		2

# 22" Heavy Duty Wheels

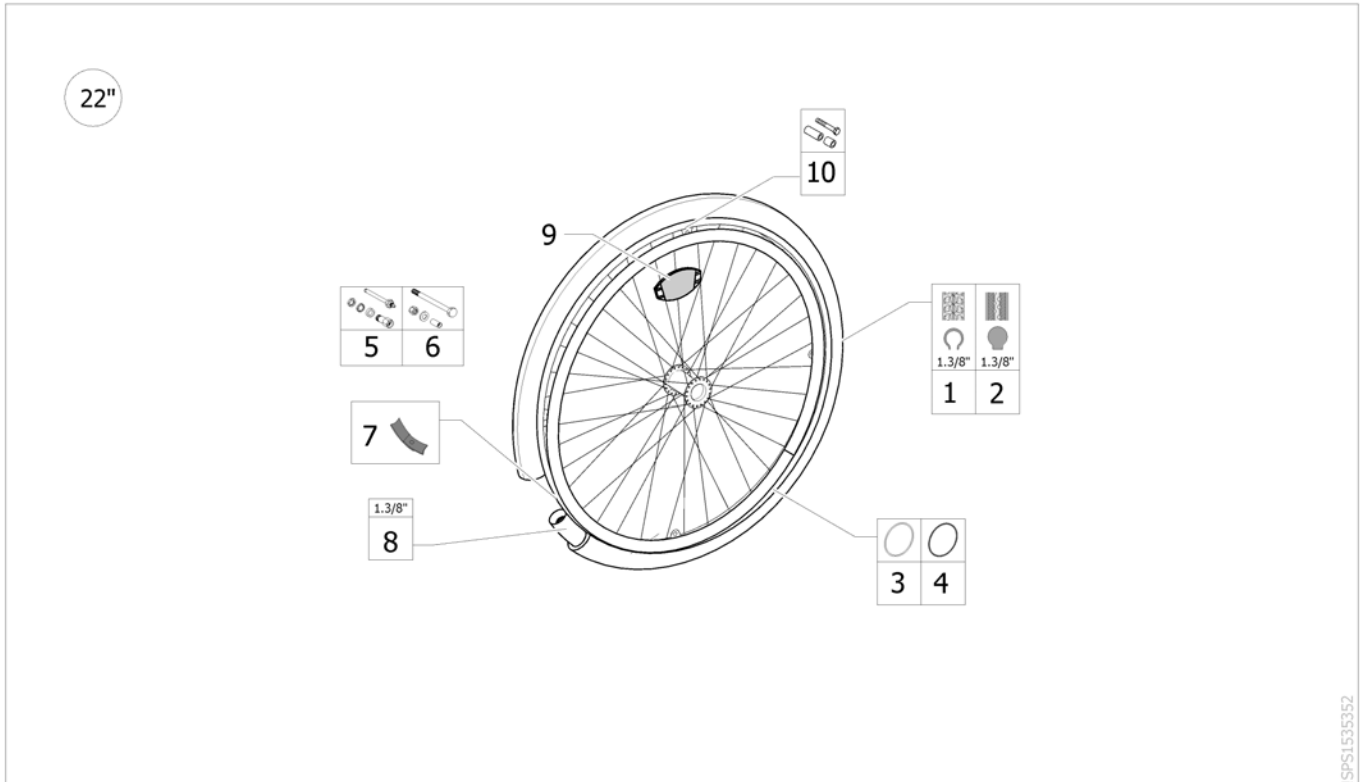
22"



197133331

Pos.	Part number	Description	Valid from → until	Qty
1	1498493	Rear wheel, 22", HD, pneumatic tyre 1.3/8", aluminium handrim	→ 2016-12-31	2
2	1498494	Rear wheel, 22", HD, pneumatic tyre 1.3/8", anti-slip handrim	→ 2016-12-31	2

## 22" Standard Wheels accessories

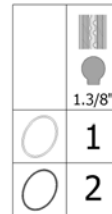
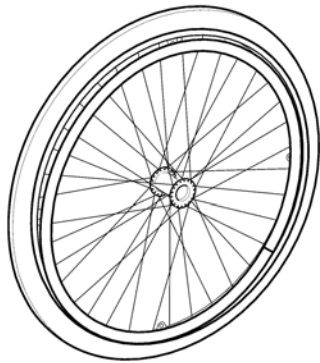


ISPS1535352

Pos.	Part number	Description	Valid from → until	Qty
1	0036-30035	Pneumatic tyre, 22" x 1.3/8", grey		2
2	0036-10014	Solid tyre, 22" x 1.3/8", grey		2
3	1505299	Kit aluminium handrim 22", 4 fixations		2
4	1505920	Kit anti-slip handrim 22", 4 fixations		2
5	1505288	QR axle with axle bearing Ø12		2
6	1505289	Fixed axle for spoked wheels		2
7	5750029	Rim tape 22" <i>Replace 0036-40002</i>		2
8	0036-20007	Inner tube, 22" x 1.3/8"		2
9	N90003	Kit reflector for spoked wheel		2
10	1573626	Kit handrim fixation for spoked wheel, 4 pts		2

## 20" Standard Wheels

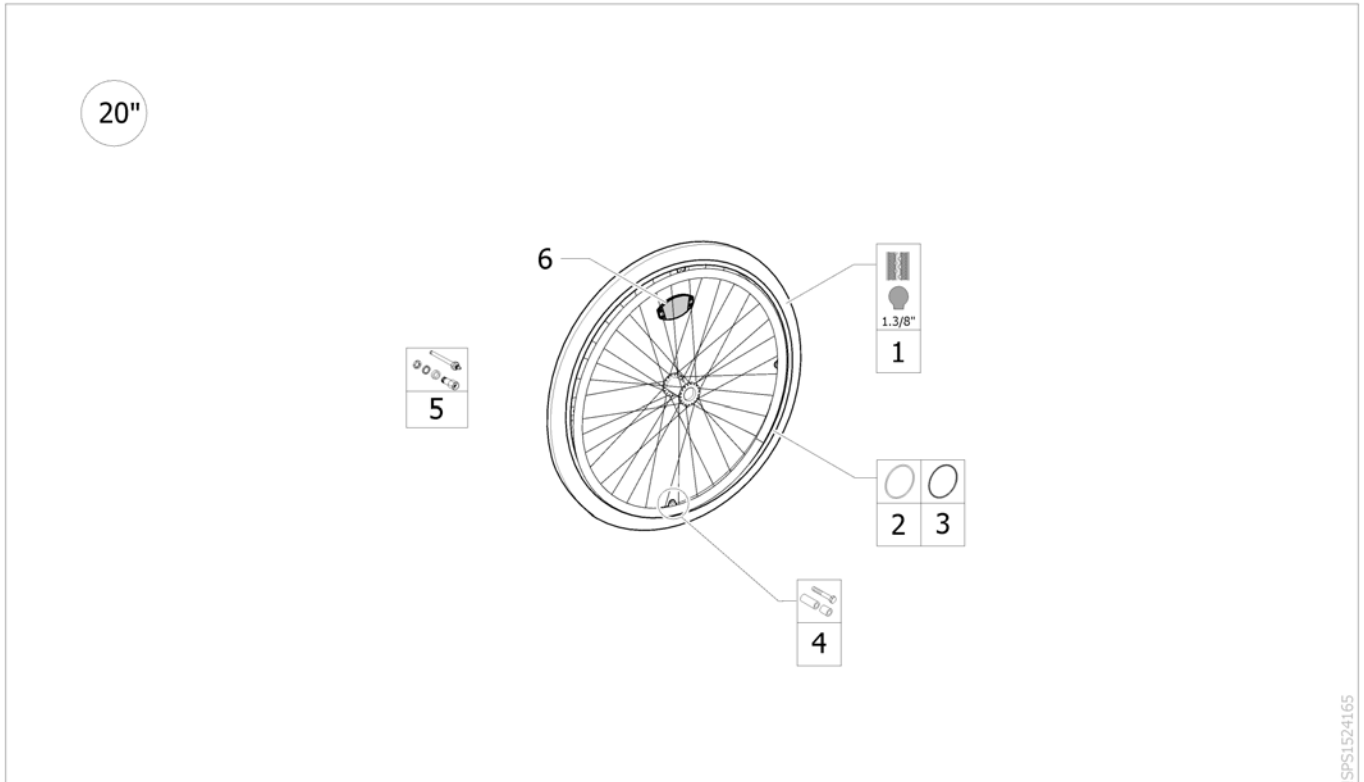
20"



!SPS1524164

Pos.	Part number	Description	Valid from → until	Qty
1	1445042	20" x 1.3/8" wheel,spoked,anodized handrim,solid tyre,		2
2	1557446	20" x 1.3/8" wheel,spoked,anti-slip handrim,solid tyre		2

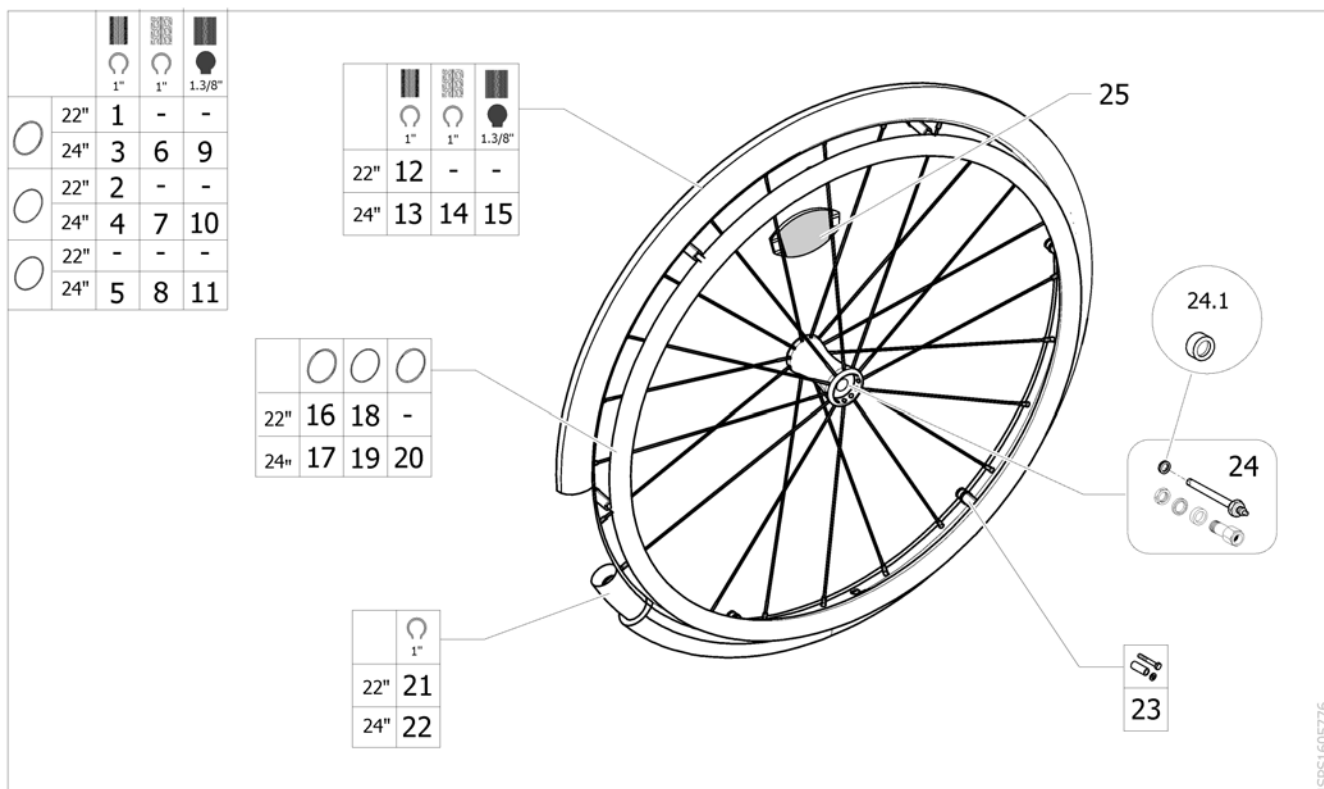
## 20" Standard Wheels accessories



ISPS1524165

Pos.	Part number	Description	Valid from → until	Qty
1	1TYR2002	20" x 1/4" solid tyre		2
2	1507241	20" Anodised Handrim		2
3	1557837	20" anti-slip handrim 4 fixations		1
4	1573626	Kit handrim fixation for spoked wheel, 4 pts		2
5	1505288	QR axle with axle bearing Ø12		2
6	N90003	Kit reflector for spoked wheel		2

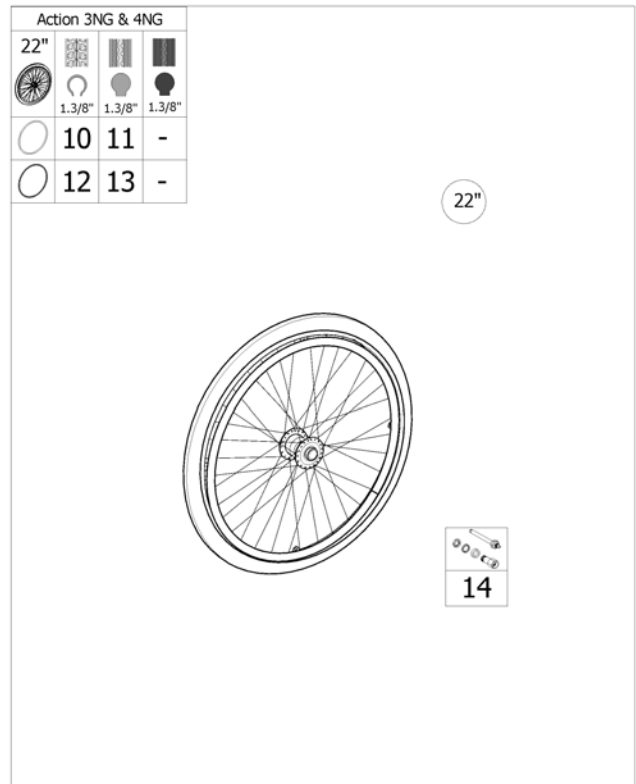
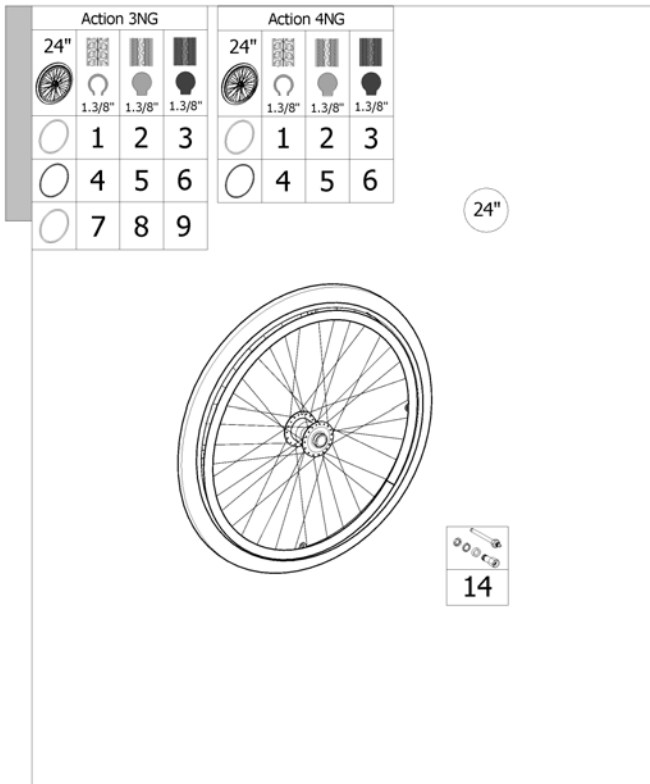
## 22"/24" Lightweight Wheels & Accessories



Pos.	Part number	Description	Valid from → until	Qty
1	SP1588896	Rear wheel, 22", lightweight, pneumatic tyre HP 1", aluminium handrim		2
2	SP1588556	Rear wheel, 22", lightweight, pneumatic tyre HP 1" Grey/Black, anti-slip handrim	2017-09-18 →	2
3	SP1588754	Rear wheel, 24", lightweight, pneumatic tyre HP 1", aluminium handrim		2
4	SP1588755	Rear wheel, 24", lightweight, pneumatic tyre HP 1", anti-slip handrim	2017-09-18 →	2
5	SP1649272	Wheels 24x1in Lightweight pneu HP handrim Stainless	2018-03-26 →	2
6	SP1588756	Rear wheel, 24", lightweight, pneumatic tyre Evo 1", aluminium handrim	2017-09-18 →	2
7	SP1588887	Rear wheel, 24", lightweight, pneumatic tyre Evo 1", anti-slip handrim	2017-09-18 →	2
8	SP1649273	Wheels 24in lightweight pneu marat,hand.Stainles	2018-03-26 →	2
9	SP1643333	Rear Wheel 24" Lightweight, Black solid tyre 1-3/8", Aluminium handrim	2017-09-18 →	2
10	SP1643334	Rear wheel 24" Lightweight, Black solid tyre 1-3/8", Anti-slip handrim	2017-09-18 →	2
11	SP1649292	Spoke wheels 24, Lightweight, Black Solid tyre Stainless	2018-03-26 →	2
12	SP1606177	Pneumatic tyre, 22"x1"HP Primo V Track		2
13	SP1585334	Pneumatic tyre, 24"x 1", HP Grey and Black		2
14	SP1585331	Pneumatic tyre, 24" x 1", Marathon Plus Evo		2
15	SP1640957	Solid Tyre 24 x 1.3/8", Black	2017-09-18 →	2
16	SP1601462	Kit aluminium handrim 22", 6 fixations, Lightweight		2
17	SP1601464	Kit aluminium handrim 24", 6 fixations, Lightweight		2
18	SP1601463	Kit anti-slip handrim 22", 6 fixations, Lightweight		2
19	SP1601465	Kit anti-slip handrim 24", 6 fixations, Lightweight		2
20	SP1648237	Kit stainless handrim 24" 6 fixations	2018-03-26 →	2
21	1061214	22" (501) Tube (Presta Valve)		2
22	1032240	Inner tube, 24" x 1"		2
23	SP1601472	Kit handrim fixation for Lightweight wheel, 6 pts		2
24	SP1605844	QR axle Wheel Lightweight		2
24.1	1529266	Elliptical spacer washer 6 mm for rear wheel axle		2
25	N90003	Kit reflector for spoked wheel		2





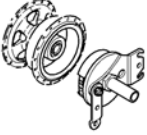


## 24" / 22" Hub brake wheels (Max user weight of 160 kg for Action4NG HD)



ISPS1535353

Pos.	Part number	Description	Valid from → until	Qty
1	1498428	Rear wheel, 24", hub brake, pneumatic tyre 1.3/8", aluminium handrim		2
2	1498427	Rear wheel, 24", hub brake, solid tyre 1.3/8", aluminium handrim		2
3	SP1640953	Rear wheel 24"x 1.3/8"(600x35) Hub Brake, Black solid tyre, Aluminim handrim	2017-09-18 →	2
4	1573481	Rear wheel, 24", hub brake, pneumatic tyre 1.3/8", anti-slip handrim		2
5	1573482	Rear wheel, 24", hub brake, solid tyre 1.3/8", anti-slip handrim		2
6	SP1640954	Rear wheel 24"x 1.3/8"(600x35) Hub Brake, Black solid tyre, Anti-slip handrim	2017-09-18 →	2
7	SP1588652	Rear wheel, 24", hub brake, pneumatic tyre 1.3/8", stainless handrim	2018-02-18 →	2
8	SP1588650	Rear wheel, 24", hub brake, solid tyre 1.3/8", stainless handrim	2018-02-18 →	2
9	SP1649144	Wheels 24x1.3/8in DB Black solid tyre,hand.Stainless	2018-02-18 →	2
10	1498466	Rear wheel, 22", hub brake, pneumatic tyre 1.3/8", aluminium handrim		2
11	1498461	Rear wheel, 22", hub brake, solid tyre 1.3/8", aluminium handrim		2
12	1557823	Rear wheel, 22", hub brake, pneumatic tyre 1.3/8", anti-slip handrim		2
13	1557801	Rear wheel, 22", hub brake, solid tyre 1.3/8", anti-slip handrim		2
14	1505290	QR axle for hub brake spoked wheels		2

## Quick release axle dia 12 Action

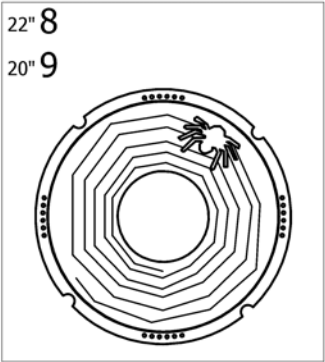
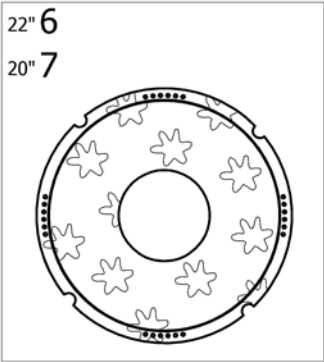
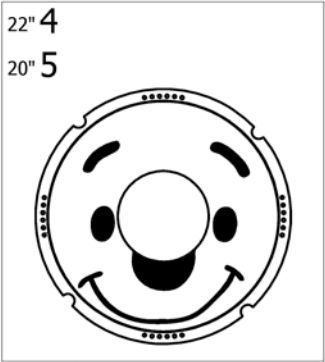
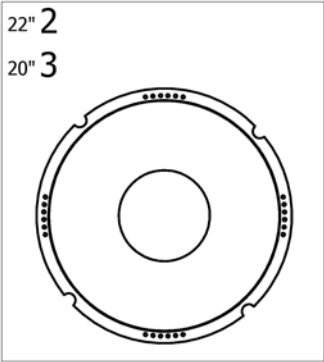
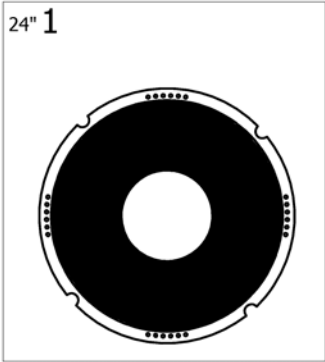
			
	03-2007 =>	01-2011 =>	
Action 1NG	2	4	
Action 1R	1		
Action 2NG	1	3	
Action 2 Basic	1		
Action 3NG	1	1	1
Action 3J	1	1	
Action 4NG	1	1	1
Esprit A3 J	1		
Variable +	1	1	

	1	2	3	4
---	---	---	---	---

ISPS1572689

Pos.	Part number	Description	Valid from → until	Qty
1	1498496	Quick release axle Ø12		2
2	1137209	Quick release axle Ø12		2
3	1485144	Quick release axle Ø12		2
4	SP1548383	Rear wheel axle QR for hub brake A1 NG		2

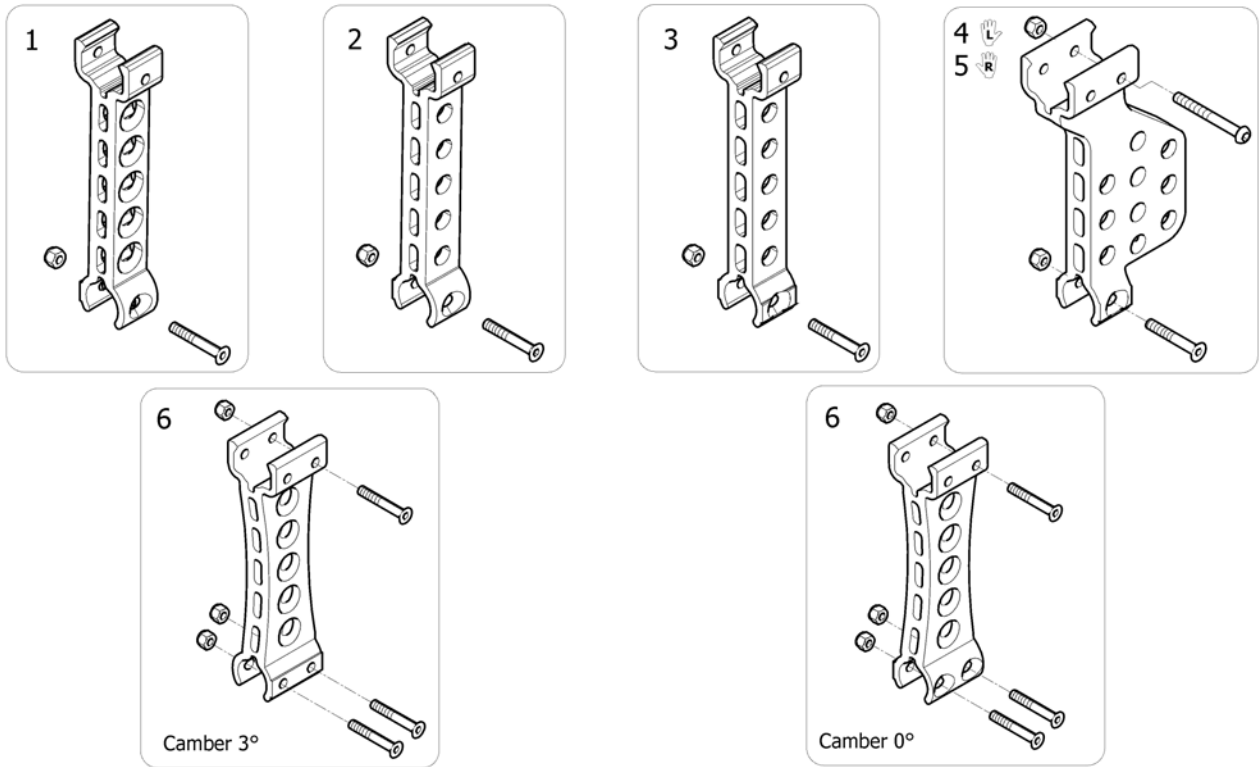
# Spoke Guard



!SPS1497313 ~ sps1497313\_jl

Pos.	Part number	Description	Valid from → until	Qty
1	0789-04400	Spoke guard 24" Black (pair) <i>[CE_1260]</i>		1
2	1556990	Spoke guard 22" Transparent (Pair)		1
3	1556989	Spoke guard 20" Transparent (Pair) <i>[CE_1261]</i>		1

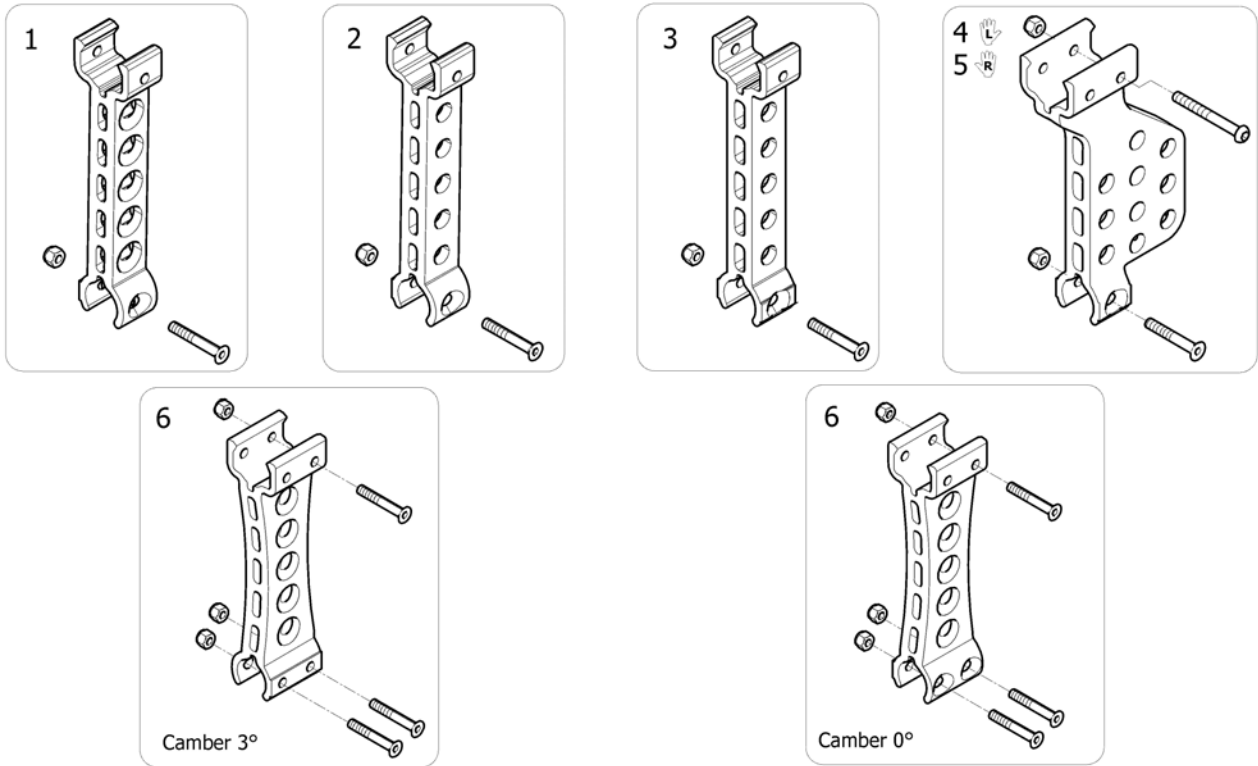
## Rear Wheel Supports Black 2017.09.18 =>



ISPS164462Z

Pos.	Part number	Description	Valid from → until	Qty
1	SP1645424	Rear wheel support Black for QR axle	2017-09-18 →	2
2	SP1645425	Rear wheel support Black for fixed axle	2017-09-18 →	2
3	SP1645426	Rear wheel support Black for transit	2017-09-18 →	2
4	SP1645451	Transit left amputee rear wheel support Black	2017-09-18 →	1
5	SP1645452	Transit right amputee rear wheel support Black	2017-09-18 →	1
6	SP1645454	Support Black rear Wheel kit Action Active SD 500	2018-02-18 →	2

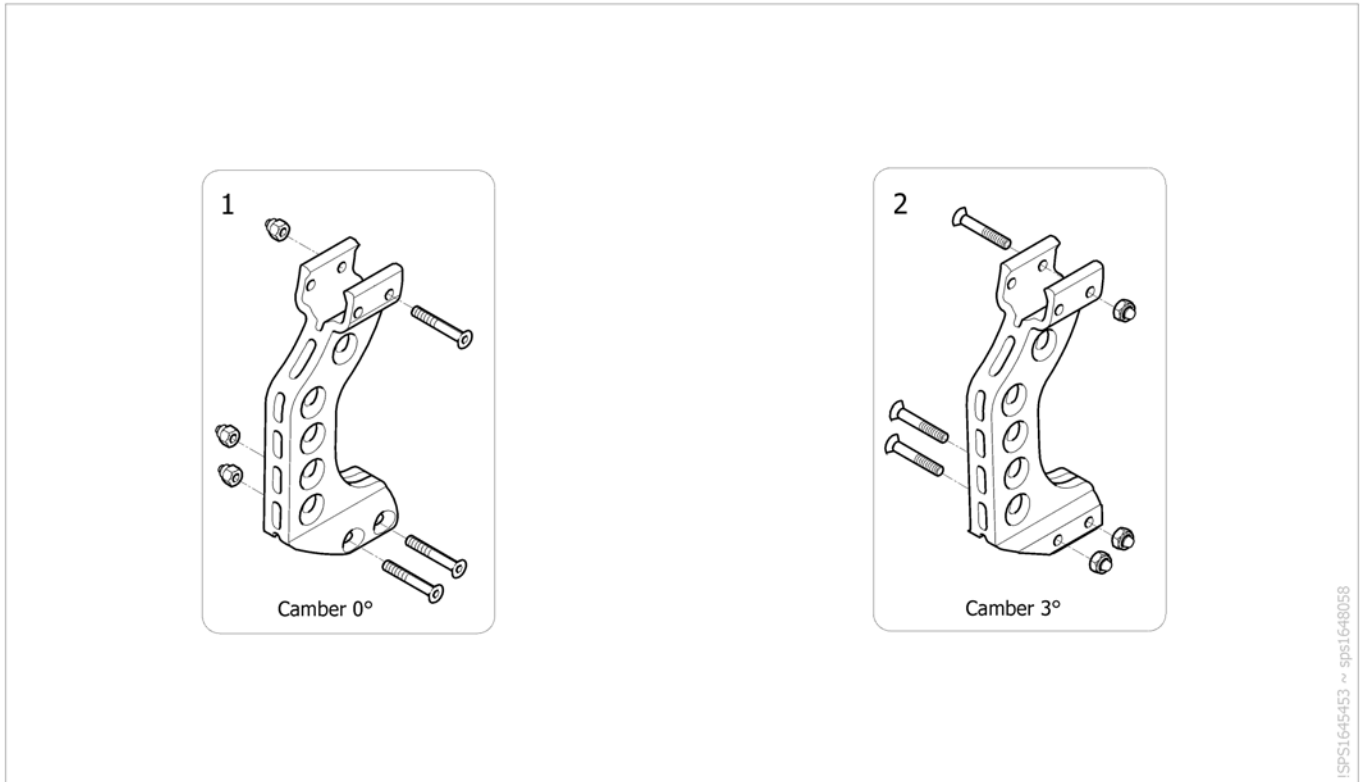
## Rear Wheel Supports => 2017.09.17



ISPS1535354

Pos.	Part number	Description	Valid from → until	Qty
1	1534886	Rear wheel support for QR axle		2
2	1534887	Rear wheel support for fixed axle		2
3	1535334	Rear wheel support for transit		2
4	1564596	Transit left amputée rear wheel support		1
5	1564597	Transit right amputee rear wheel support		1
6	SP1605896	Support rear Wheel kit Action XT	2018-02-18 →	2

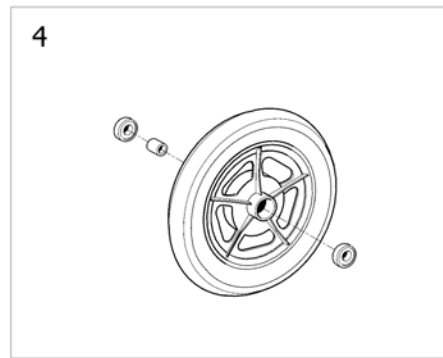
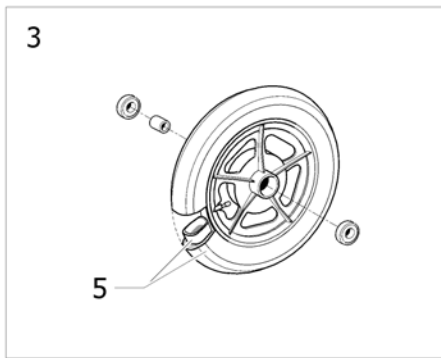
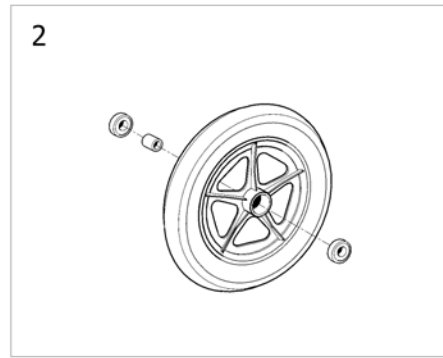
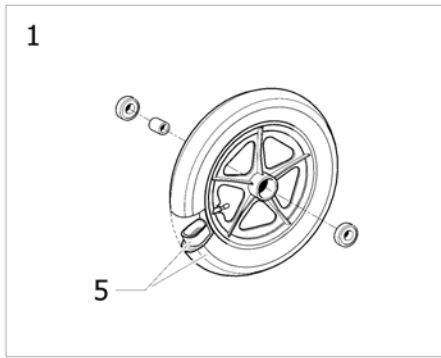
## Rear Wheel Supports Black Action XT



ISPS1645453 ~ sps1648058

Pos.	Part number	Description	Valid from → until	Qty
1	SP1650318	Lh Support Black rear Wheel kit Action XT	2018-03-26 →	1
2	SP1650319	Rh Support Black rear Wheel kit Action XT	2018-03-26 →	1

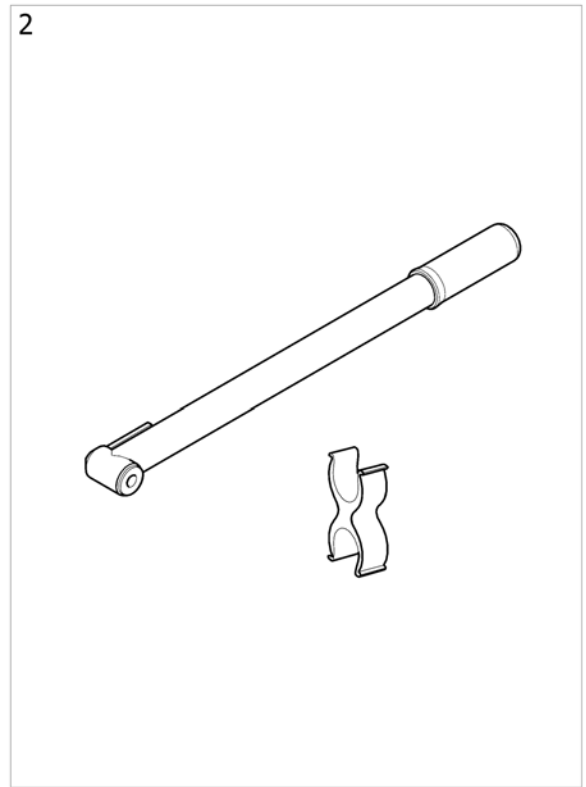
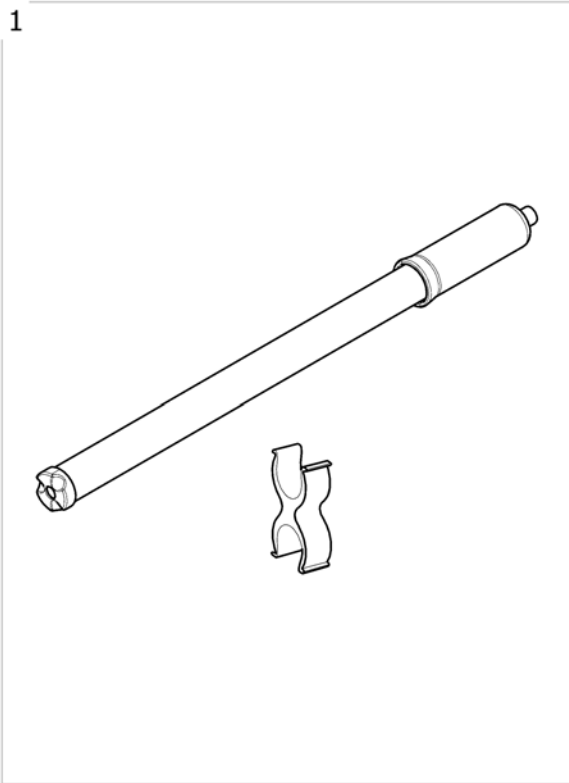
## 12" Rear Wheels



ISPS1535355

Pos.	Part number	Description	Valid from → until	Qty
1	SP1584368	12" Rear wheel transit, pneumatic <i>Replace 6001789</i>	2014-09-17 →	1
1	SP1584050	12" Rear wheel transit, pneumatic (pair)	→ 2014-09-16	1
2	1571005	12" rear wheel, composite, standard hub, solid tyre <i>Replace 1535037</i>	2014-08-18 →	2
2	1530448	12" rear wheel, composite, standard hub, solid tyre (pair)	2004-11-25 → 2014-08-17	1
3	SP1587822	12" rear wheel composite, hub brake pneu (unit) <i>Replace 0572-03002</i>	2015-02-19 →	2
3	SP1587823	12" rear wheel composite, hub brake pneu (pair) <i>Replace 0572-03002</i>	→ 2015-02-18	1
4	1571032	12" rear wheel, composite, hub brake, solid tyre <i>Replace 1557302</i>	2014-09-25 →	2
4	1557447	12" rear wheel, composite, hub brake, solid tyre (pair)	2012-01-01 → 2014-09-24	1
5	1431313	12" transit Pneumatic Tyre + Inner tube		2

# Pump

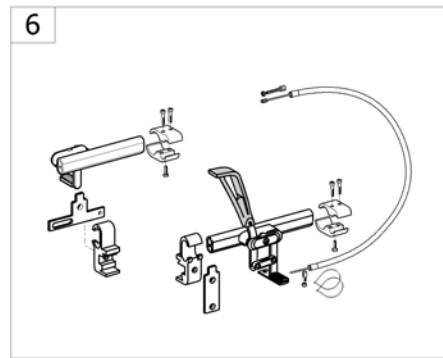
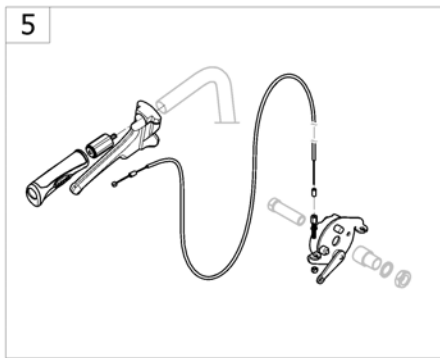
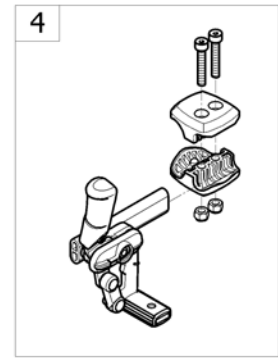
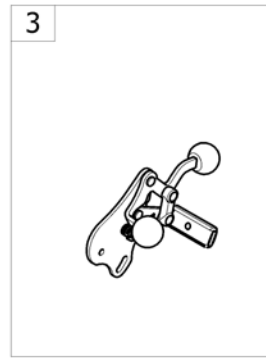
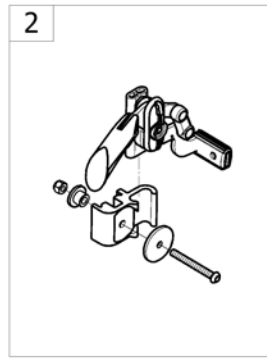
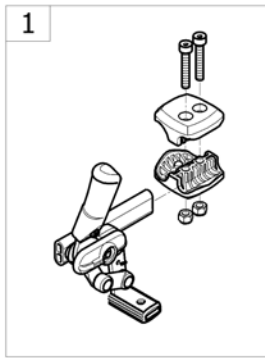


ISPS1496404

Pos.	Part number	Description	Valid from → until	Qty
1	1419910	Kit pump low pressure + support <i>[CE_1230] - Replace 1484715</i>		1
2	SP1605897	Kit pump - High Pressure + Support <i>[CE_1235]</i>		1



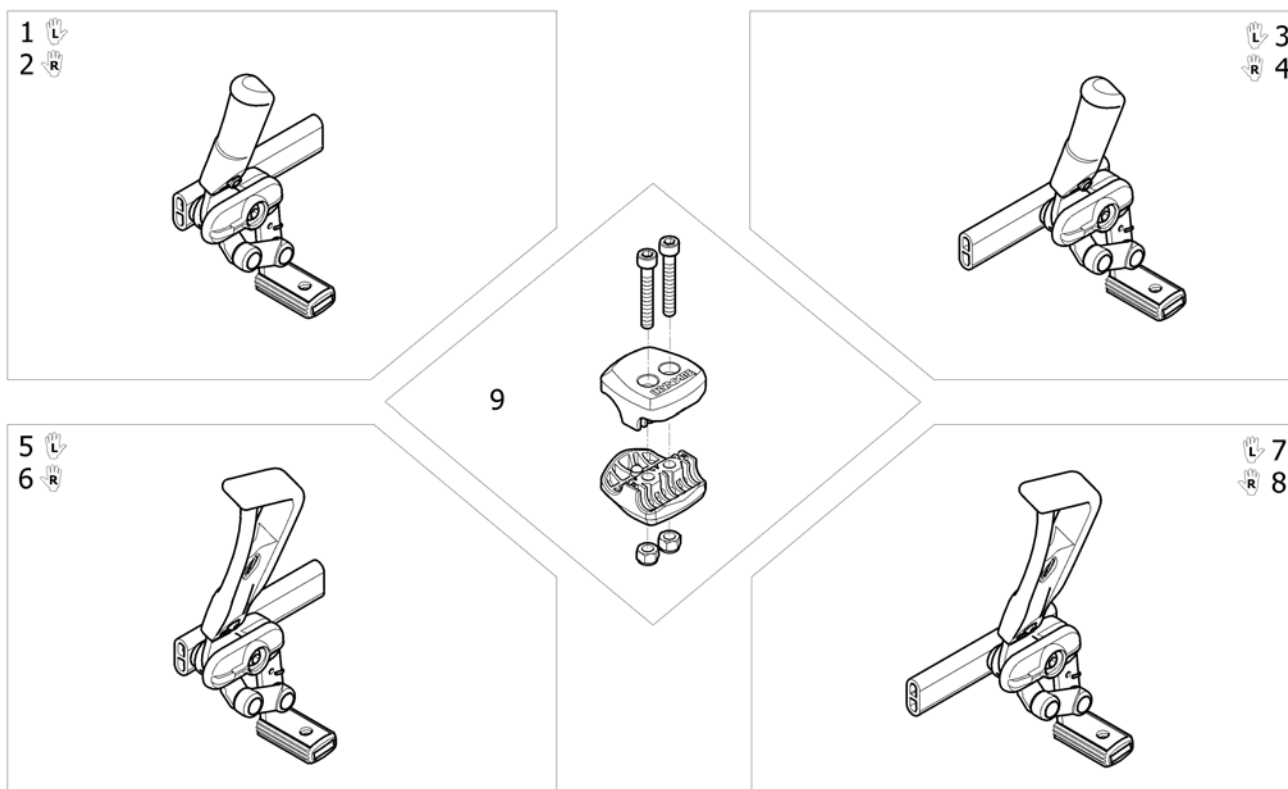
## Brakes



-<SPACTION3NG65

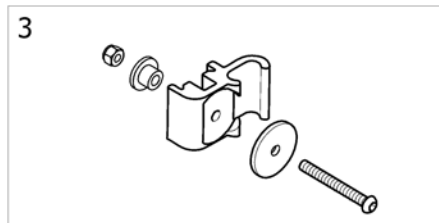
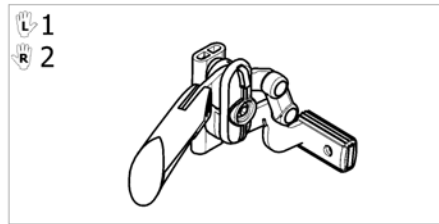
Pos.	Part number	Description	Valid from → until	Qty
1	-	Push Brakes Black: Standard And With Extension	2017-09-18 →	1
2	-	Push brake Transit black	2017-09-04 →	1
3	-	Push brake Black Transit Amputé	2017-09-18 →	1
4	-	Pull brakes Black: Standard And With Extension	2017-09-18 →	1
5	-	Attendant Hub Brake		1
6	-	Oad Wire Control Brake		1

## Push Brakes Black: Standard And With Extension



ISPS1644818 ~ 1575102\_II

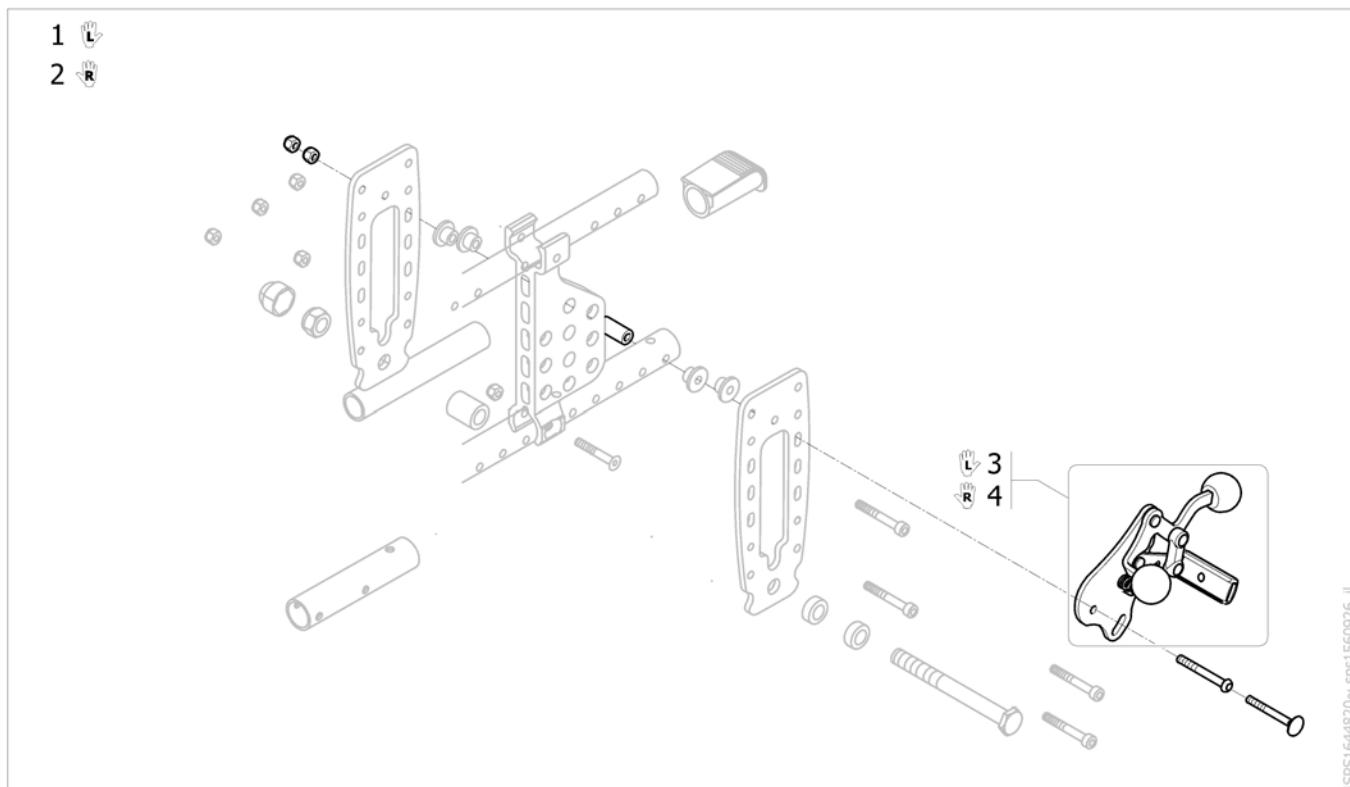
Pos.	Part number	Description	Valid from → until	Qty
1	SP1639529	Lh Complet Push Brake Black Standard	2017-09-07 →	1
2	SP1639530	Rh Complet Push Brake Black Standard	2017-09-07 →	1
3	SP1639533	Lh Complet Reverse Push to look Brake with Black Standard	2017-08-28 →	1
4	SP1639534	Rh Complet Reverse Push to look Brake with Black Standard	2017-08-28 →	1
5	SP1639527	Lh Complet Push Brake Black With Lever Extension	2017-08-28 →	1
6	SP1639528	Rh Complet Push Brake Black With Lever Extension	2017-08-28 →	1
7	SP1639531	Lh Complet Reverse Push to look Brake with lever extension	2017-09-18 →	1
8	SP1639532	Rh Complet Reverse Push to look Brake with lever extension	2017-09-18 →	1
9	1575102	Kit brake composite clamp black		2
9	0572-05715	Kit brake support Alu anodisé incolore		2



ISPS1644819

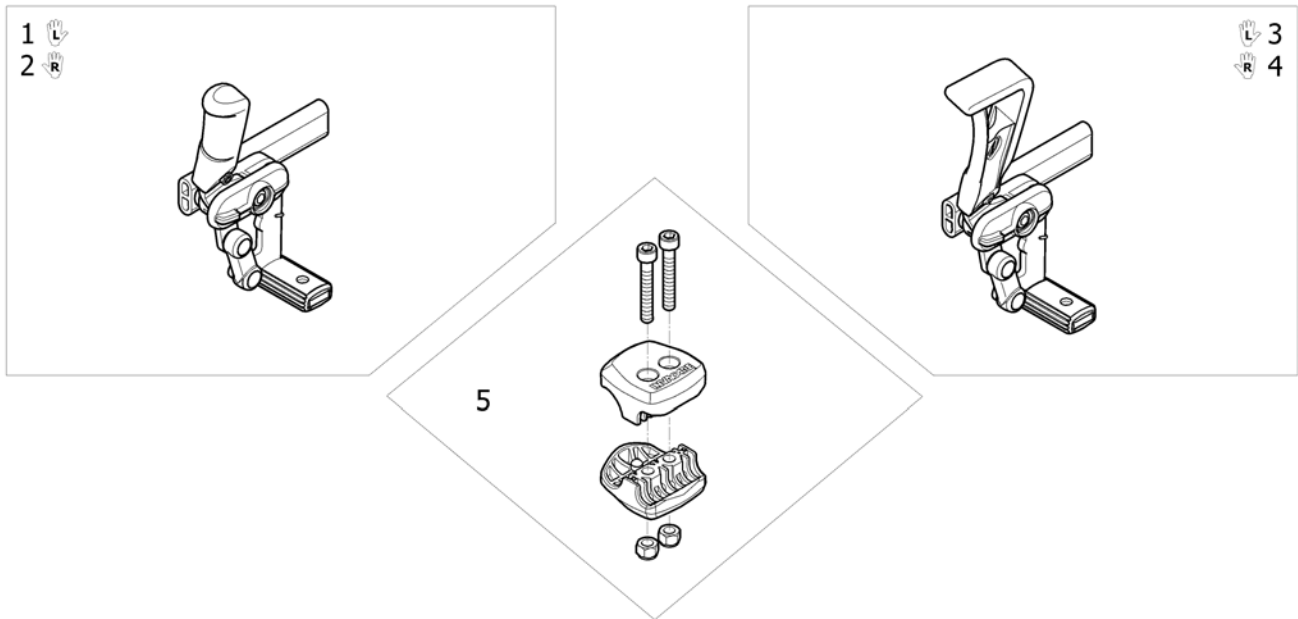
Pos.	Part number	Description	Valid from → until	Qty
1	SP1639539	Rh Transit Black Push to Lock Brake	2017-09-04 →	1
2	SP1639540	Lh Transit Black Push to Lock Brake	2017-09-04 →	1
3	1430853	Transit Brake Support Kit		2

# Push brake Black Transit Amputé



Pos.	Part number	Description	Valid from → until	Qty
1	SP1644961	Lh Complet Transit Push Brake Black	2017-09-18 →	1
2	SP1644962	Rh Complet Transit Push Brake Black	2017-09-18 →	1
3	SP1639865	Lh Transit Push Brake	2017-09-18 →	1
4	SP1639866	Rh Transit Push Brake	2017-09-18 →	1

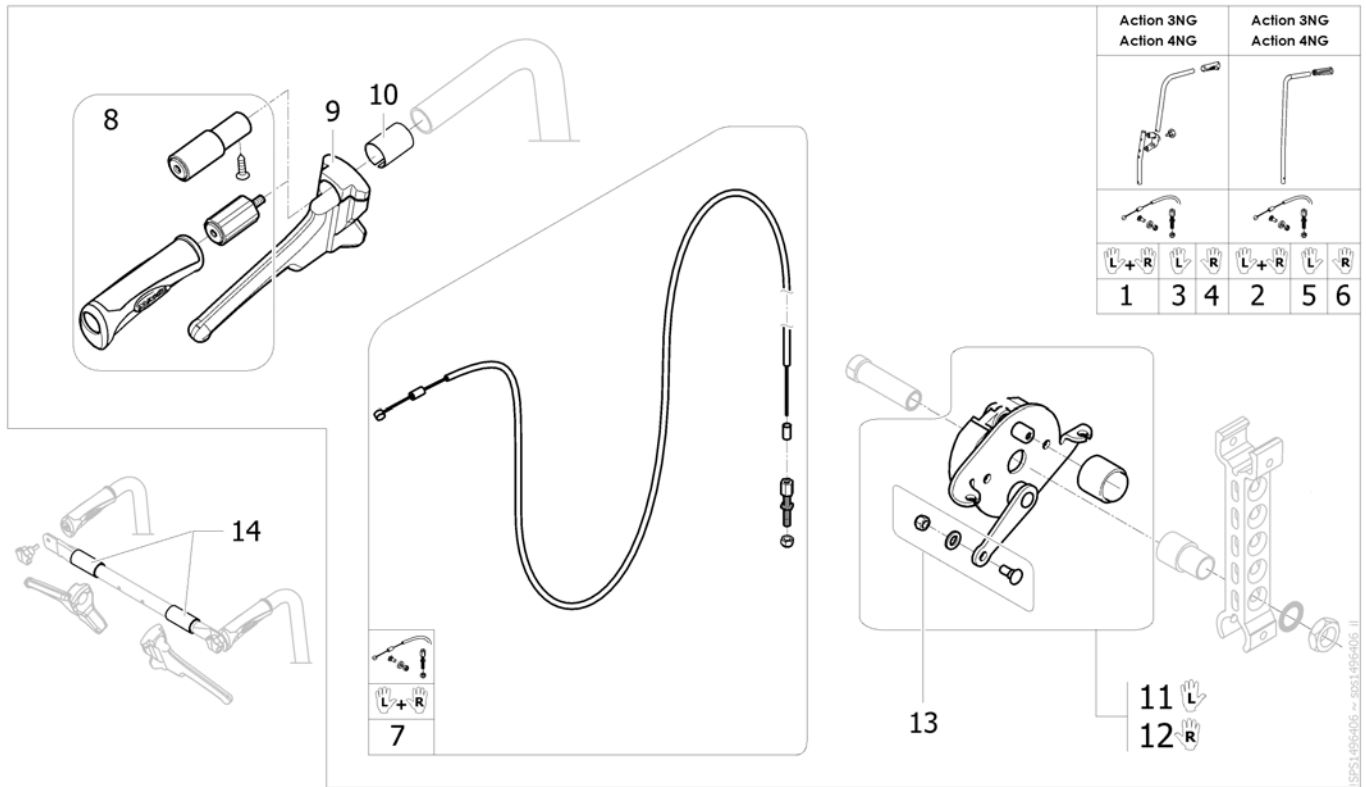
## Pull brakes Black: Standard And With Extension



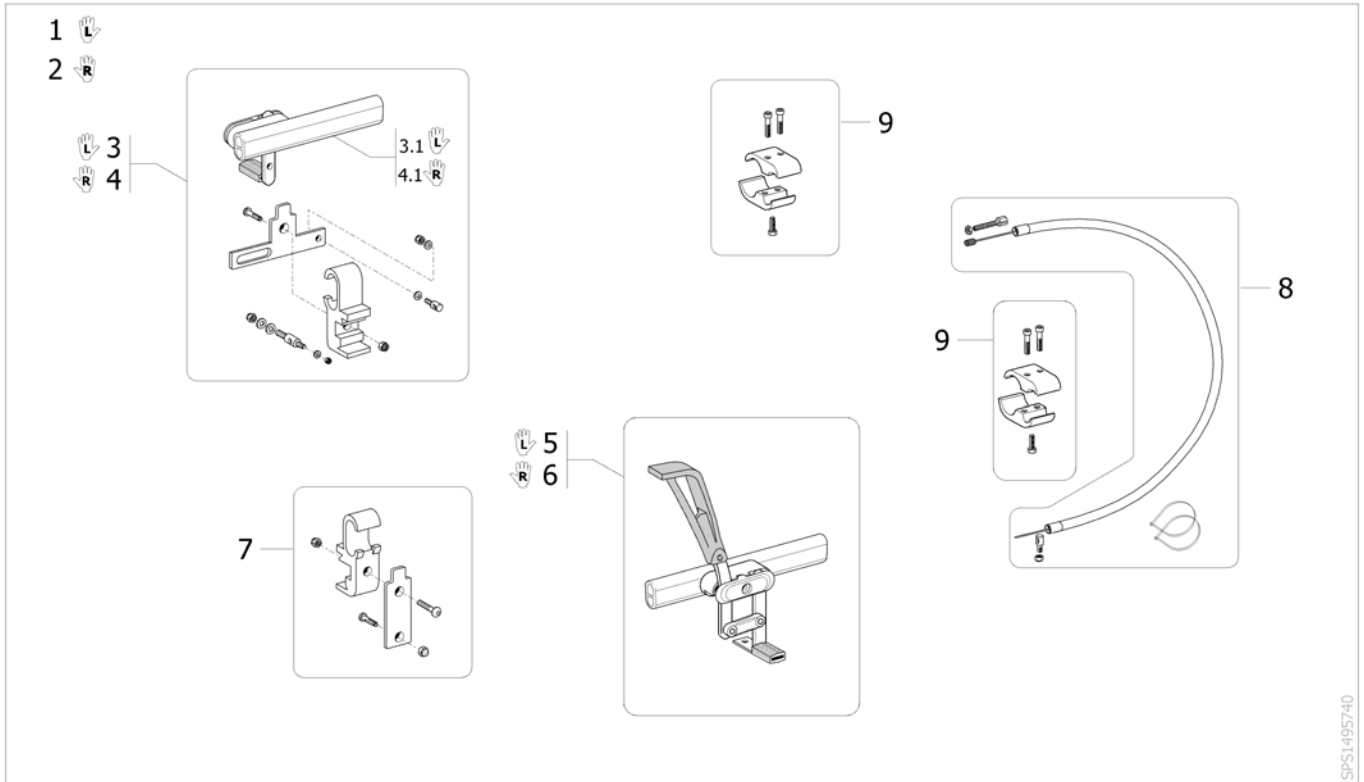
ISPS1644869 ~ sps1548791\_11

Pos.	Part number	Description	Valid from → until	Qty
1	SP1639543	Lh Pull brake standard Black	2017-09-18 →	1
2	SP1639703	Rh Pull brake standard Black	2017-09-18 →	1
3	SP1639754	Lh Pull Reverse to look Brake with Black Extension	2017-09-18 →	1
4	SP1639864	Rh Pull Reverse to look Brake with Black Extension	2017-09-18 →	1
5	1575102	Kit brake composite clamp black		2
5	0572-05715	Kit brake support Alu anodisé incolore		2

# Attendant Hub Brake



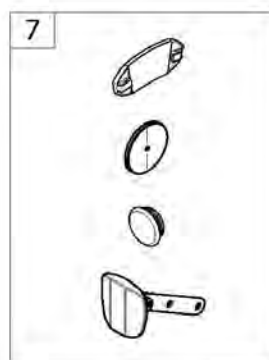
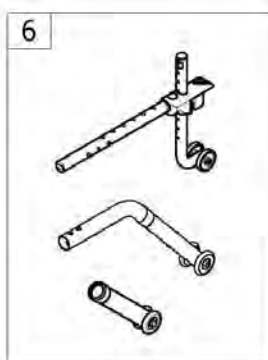
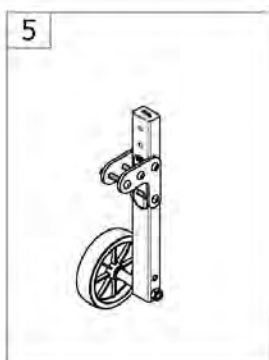
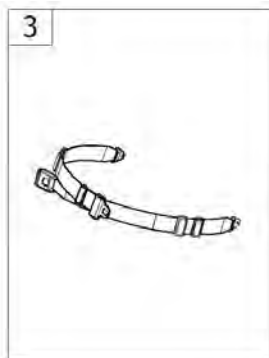
Pos.	Part number	Description	Valid from → until	Qty
1	1567416	Kit of attendant hub brakes + tube extension + diameter adapter NG (pair)		1
2	1445674	Attendant Hub Brakes Complet Kit (Without Wheel & Axle) (pair)		1
3	SP1636707	Attendant Hub Brakes Complet Lh Kit (Without Wheel & Axle)		1
4	SP1636708	Attendant Hub Brakes Complet Rh Kit (Without Wheel & Axle)		1
5	SP1623559	Attendant Hub Brakes Complet Lh Kit (Without Wheel & Axle)		1
6	SP1623560	Attendant Hub Brakes Complet Rh Kit (Without Wheel & Axle)		1
7	1564821	Complete cable for attendant hub brake (pair)		1
8	1430412	Back brace insert for fixed backrest tube		2
9	1420527	Black Brake Lever dia 22mm		2
10	5221363	Fixed Backrest Hub Brake Adaptation		2
11	1567413	LH Hub brake plate kit		1
12	1567414	RH Hub brake plate kit		1
13	M30071	Cable Clamp Bolt c/wNut& Wash		2
14	1434626	Backbrace Handle		2
-	AP1543359	Transformation kit hub brake attendant Action 3 NG 12 pneumatic (including wheels)		1
-	AP1560728	Transformation kit hub brake attendant Action 3 NG 12 solid (including wheels)		1
-	AP1543360	Transformation kit hub brake attendant Action 3 NG 24 pneumatic (including wheels)		1
-	AP1543361	Transformation kit hub brake attendant Action 3 NG 24 solid (including wheels)		1
-	AP1543362	Transformation kit hub brake attendant Action 3 NG 22 pneumatic (including wheels)		1
-	AP1543363	Transformation kit hub brake attendant Action 3 NG 22 solid (including wheels)		1



ISPS1495740

Pos.	Part number	Description	Valid from → until	Qty
1	SP1641778	Lh Oad Brake Black Wire Controlled <i>Replace 1430203</i>	2017-10-13 →	1
2	SP1641779	Rh Oad Brake Black Wire Controlled <i>Replace 1430202</i>	2017-10-13 →	1
3	SP1645900	Lh Wire Control Brake Black Complete + Clamp; Rh Control <i>Replace 1433461</i>	2017-10-13 →	1
3.1	SP1639537	Lh Wire Control Brake Black	2017-10-13 →	1
4	SP1645901	Rh Wire Control Brake Black Complete + Clamp; Rh Control <i>Replace 1433462</i>	2017-10-13 →	1
4.1	SP1639538	Rh Wire Control Brake Black	2017-10-13 →	1
5	SP1639535	Lh Hemi Brake Black	2017-10-13 →	1
5	1430253	Lh Hemi Brake Action3	2017-09-25 → 2017-10-12	1
6	SP1639536	Rh Hemi Brake Black	2017-10-13 →	1
6	1430254	Rh Hemi Brake Action3	2017-09-25 → 2017-10-12	1
7	1433463	Wire Control Brake Clamp Kit		2
8	1433464	Complet Cable Wire Control Brake		2
9	0572-05715	Kit brake support Alu anodisé incolore		2

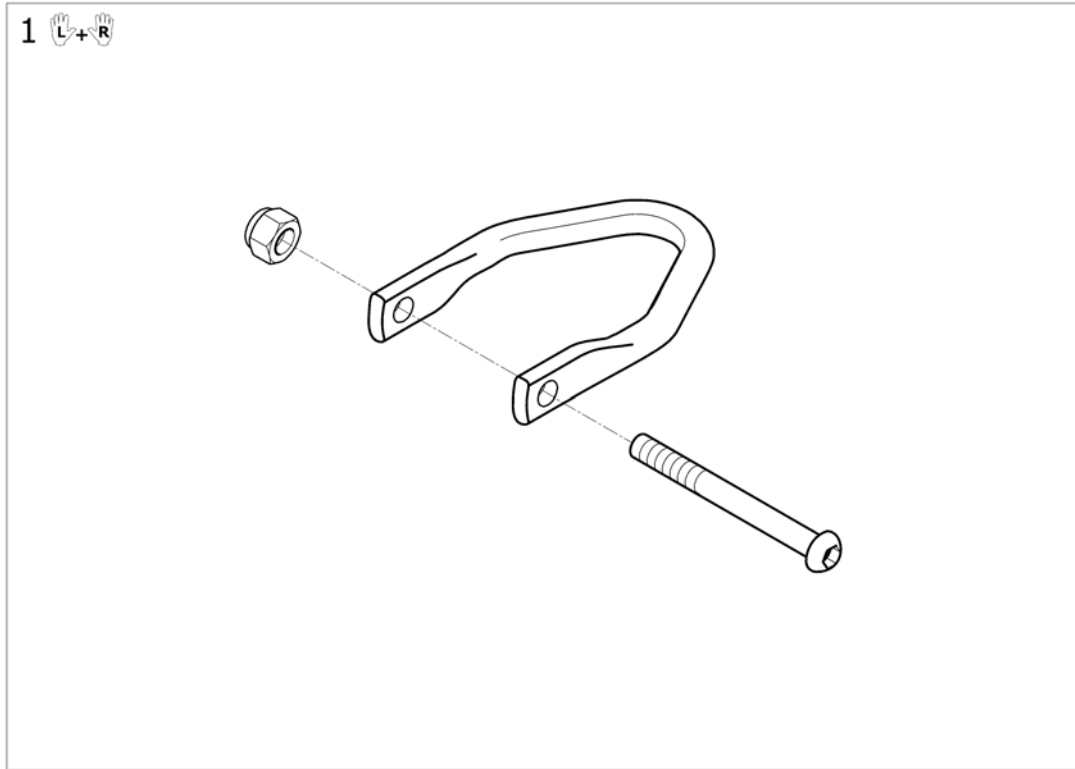
## Safety Options



Pos.	Part number	Description	Valid from → until	Qty
1	-	Transportation attachment kit [CE_1345]		1
2	-	Comfort transportation kit & belts [CE_1346]		1
3	-	Belts [CE_1360]		1
4	-	Belt Body Point [CE_1361/CE_1362/CE_1363/CE_1364]		1
5	-	Transfer Kit [CE_1365]		1
6	-	Rear Anti Tipper and Tipping Tube [CE_1370/CE_1375]		1
7	-	Reflectors [CE_1380]		1

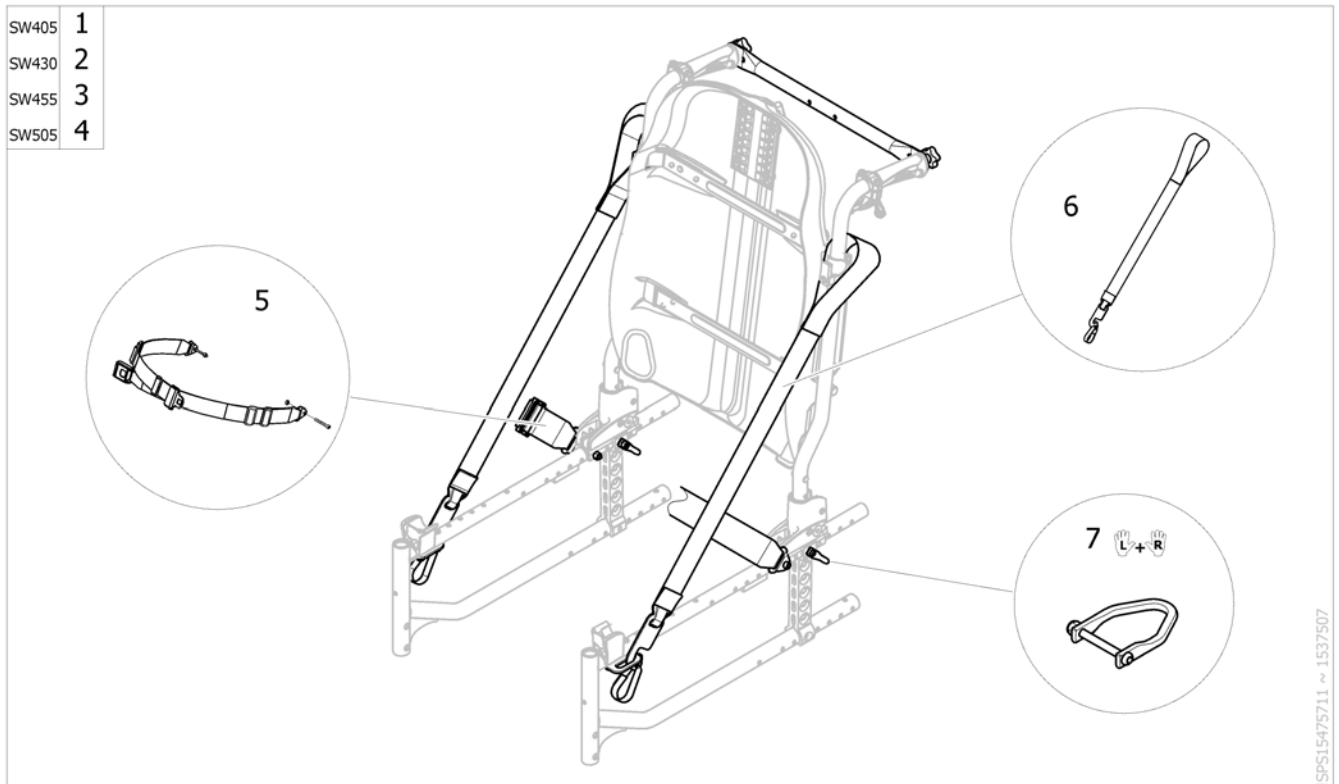


## Transportation attachment kit



Pos.	Part number	Description	Valid from → until	Qty
1	1560720	Kit transportation (pair)		1

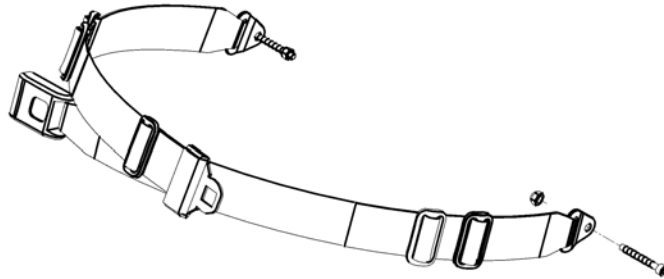
## Comfort transportation kit & belts



Pos.	Part number	Description	Valid from → until	Qty
1	1537316	Comfort transportation kit + belt SW405 mm	2010-02-16 →	1
2	1537317	Comfort transportation kit + belts SW430 mm	2010-02-16 →	1
3	1537318	Comfort transportation kit + belts SW455 mm	2010-02-16 →	1
4	1537319	Comfort transportation kit + belts SW505 mm	2010-02-16 →	1
5	0572-05389	Safety lap belt metal buckle SW205/455 mm		1
6	1536247	Lateral belt for backrest Comfort		2
7	1560720	Kit transportation (pair)		1

## Belts

	Esprit Action 4NG	Action 3NG Action 2000 Variable +	Action 4NG	Action A3J	Action 2NG
SW205	-	-	-	1	-
SW255	-	-	-	1	-
SW280	-	-	-	1	-
SW305	1	-	-	1	-
SW330	1	-	-	1	-
SW355	1	-	-	1	-
SW380	1	1	1	1	3
SW405	1	1	1	-	3
SW430	1	1	1	-	3
SW455	1	1	1	-	3
SW480	2	2	2	-	2
SW505	2	2	2	-	-
SW555	2	-	2	-	-
SW605	2	-	2	-	-



ISPS1497376

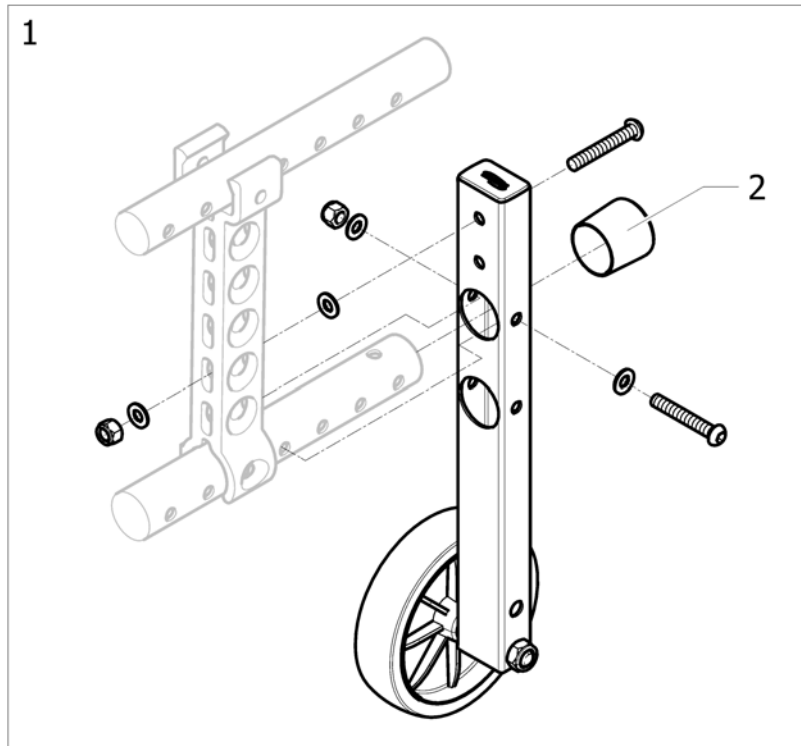
Pos.	Part number	Description	Valid from → until	Qty
1	0572-05389	Safety lap belt metal buckle SW205/455 mm		1
2	1492755	Kit safety lap belt metal buckle HD SW480/605 mm		1
3	1531657	Kit safety lap belt metal buckle SW380/455 mm (Action2NG)		1

## Belt Body Point



Pos.	Part number	Description	Valid from → until	Qty
1	SP1638473	Belt Bodypoint, 2pts, M		1
2	SP1638474	Belt Bodypoint, 2pts, L		1
3	SP1638475	Belt Bodypoint, 4pts, M		1
4	SP1638476	Belt Bodypoint, 4pts, L		1

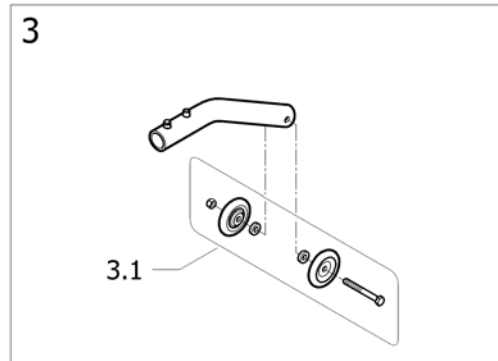
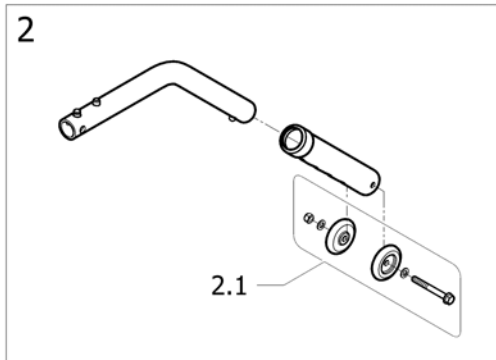
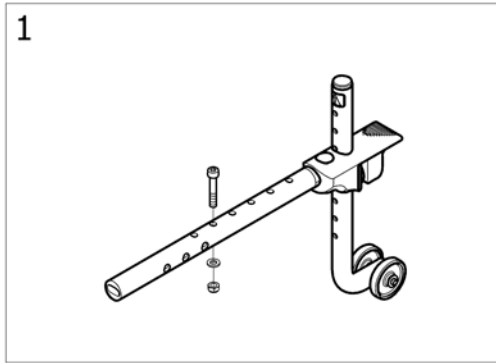
# Transfer Kit



15751495040

Pos.	Part number	Description	Valid from → until	Qty
1	1492139	Pair of anti-barrier wheels kit		1
2	0021N05386	Frame cap black 1		2

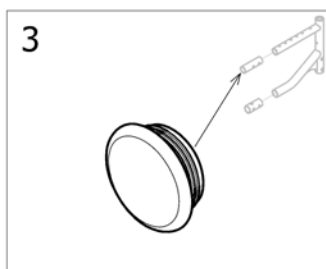
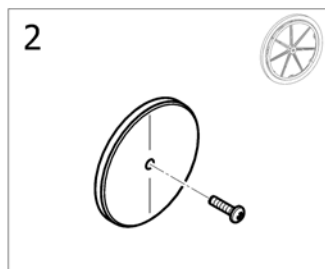
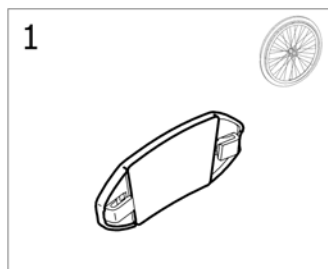
## Rear Anti Tipper and Tipping Tube



!SPS1548725 ~ sps1548725\_!l

Pos.	Part number	Description	Valid from → until	Qty
1	1484890	Anti-tippers A3/A4 types (one side only) [CE_1375]		2
2	0572-05848	Kit anti-tippers [CE_1370]		2
2.1	1548802	Kit wheels + attachment anti-tippers		2
3	1542000	Ultra Low Anti-Tipping		2
3.1	1548248	Kit wheels + attachment anti-tippers (washers in)		2

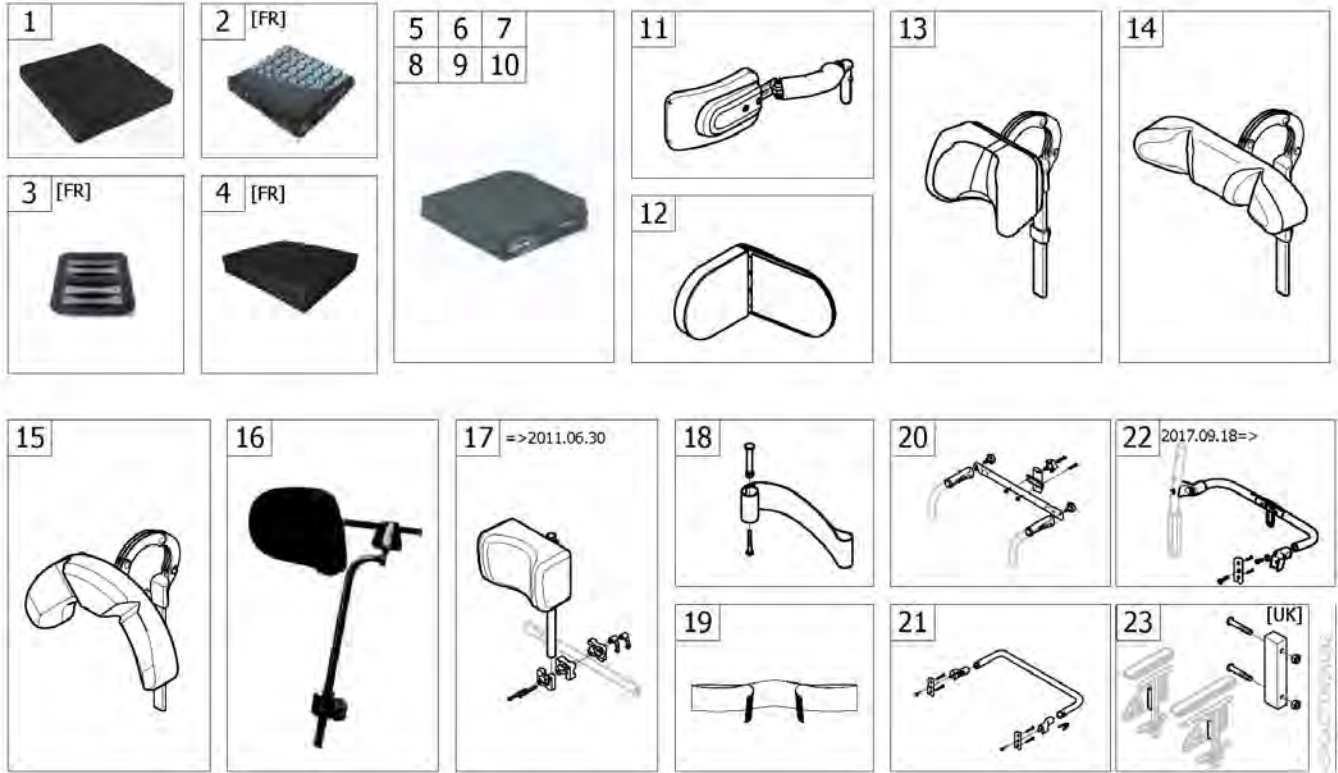
## Reflectors



!SPS1495928

Pos.	Part number	Description	Valid from → until	Qty
1	N90003	Kit reflector for spoked wheel		2
2	9037-30001	Kit reflector for composite wheel		2
3	1545553	End tube Ø22 reflector red		2

# Seating Options



Pos.	Part number	Description	Valid from → until	Qty
1	-	Nylon cushions <i>[CE_0849]</i>		1
2	-	Profil Air Cushions [FR] <i>[CE_0851] ONLY FOR FRANCE</i>		1
3	-	Rigidizer [FR] <i>[CE_0852] ONLY FOR FRANCE</i>		1
4	-	Classic Visco Cushions [FR] <i>[CE_0853][CE_0854][CE_0855][CE_0856] ONLY FOR FRANCE</i>		1
5	-	Matrix Flo-Tech LITE cushions <i>[CE_0869]</i>		1
6	-	Matrix Flo-Tech CONTOUR VISCO cushions <i>[CE_0871]</i>		1
7	-	Matrix Flo-Tech IMAGE cushions <i>[CE_0873]</i>		1
8	-	Matrix Flo-Tech XTRA cushions <i>[CE_0874]</i>		1
9	-	Matrix VI Cushions <i>[CE_0875]</i>		1
10	-	Matrix LIBRA Cushions <i>[CE_0876]</i>		1
11	-	Trunk Support Comfort Dartex <i>[CE_0881]</i>		1
12	-	Lateral positioning pad <i>[CE_0882]</i>		1
13	-	Neckrest <i>[CE_0905]</i>		1
14	-	Headrest <i>[CE_0906]</i>		1
15	-	Cheek support <i>[CE_0907]</i>		1
16	-	Soft pad headrest and adapter Matrix <i>[CE_0908] ONLY FOR MATRIX BACK</i>		1
17	-	Standard Headrest =>2011-06-30	→ 2011-06-30	1
18	-	Heels strap <i>ONLY WITH FOOTPLATE FIXED &amp; ADJUSTABLE</i>		1



**Seating Options**

Pos.	Part number	Description	Valid from → until	Qty
19	-	Calf Strap <i>[CE_0930]</i>		1
20	-	Back Brace standard + support <i>[CE_0940]</i>		1
21	-	Back Brace type Rea <i>[CE_0940]</i>		1
22	-	Folding backbrace: 2017.09.18 => <i>[CE_0945]</i>	2017-09-18 →	1
23	-	In-rigged for Armrest & T Armrest n°1 [UK] <i>[CE_0952] ONLY FOR UK &amp; ARMREST N°1</i>		1

## Nylon cushions

	Action 3NG		Action XT			Action 4NG			EspritA4NG			Action 2000 Action 2NG		Action 1NG		Action1R	Variable
	SD400	SD450	SD400	SD450	SD500	SD400	SD450	SD500	SD400	SD450	SD500	SD400	SD450	SD400	SD450	SD425	SD400
SW380	1	5	1	5	-	1	5	12	1	5	-	1	5	-	-	1	1
SW405	2	6	2	6	-	2	6	4	2	6	-	2	6	2	6	2	2
SW430	2	6	2	6	4	2	6	4	2	6	4	2	6	2	6	2	2
SW455	3	7	3	7	8	3	7	8	3	7	8	3	7	3	7	3	3
SW480	3	7	3	7	8	3	7	8	3	7	8	3	7	3	7	3	3
SW505	4	8	4	8	9	4	8	9	4	8	9	-	-	4	8	4	4
SW555	-	-	-	-	-	-	10	10	-	-	10	-	-	-	-	-	-
SW605	-	-	-	-	-	-	11	11	-	-	11	-	-	-	-	-	-



ISPS:1551.050

Pos.	Part number	Description	Valid from → until	Qty
1	1564264	Foam Cushion 362x412 mm		1
2	1564267	Foam Cushion 412x412 mm		1
3	1564268	Foam Cushion 412x462 mm		1
4	1564269	Foam Cushion 412x500 mm		1
5	1564265	Foam Cushion 362x462 mm		1
6	1564268	Foam Cushion 412x462 mm		1
7	1564270	Foam Cushion 462x462 mm		1
8	1564271	Foam Cushion 462x500 mm		1
9	1564403	Foam Cushion 512x500 mm		1
10	1571397	Foam Cushion 555x462 mm		1
11	1571399	Foam Cushion 605x462 mm		1
12	1564266	Foam Cushion 362x500 mm		1

## Profil Air Cushions [FR]



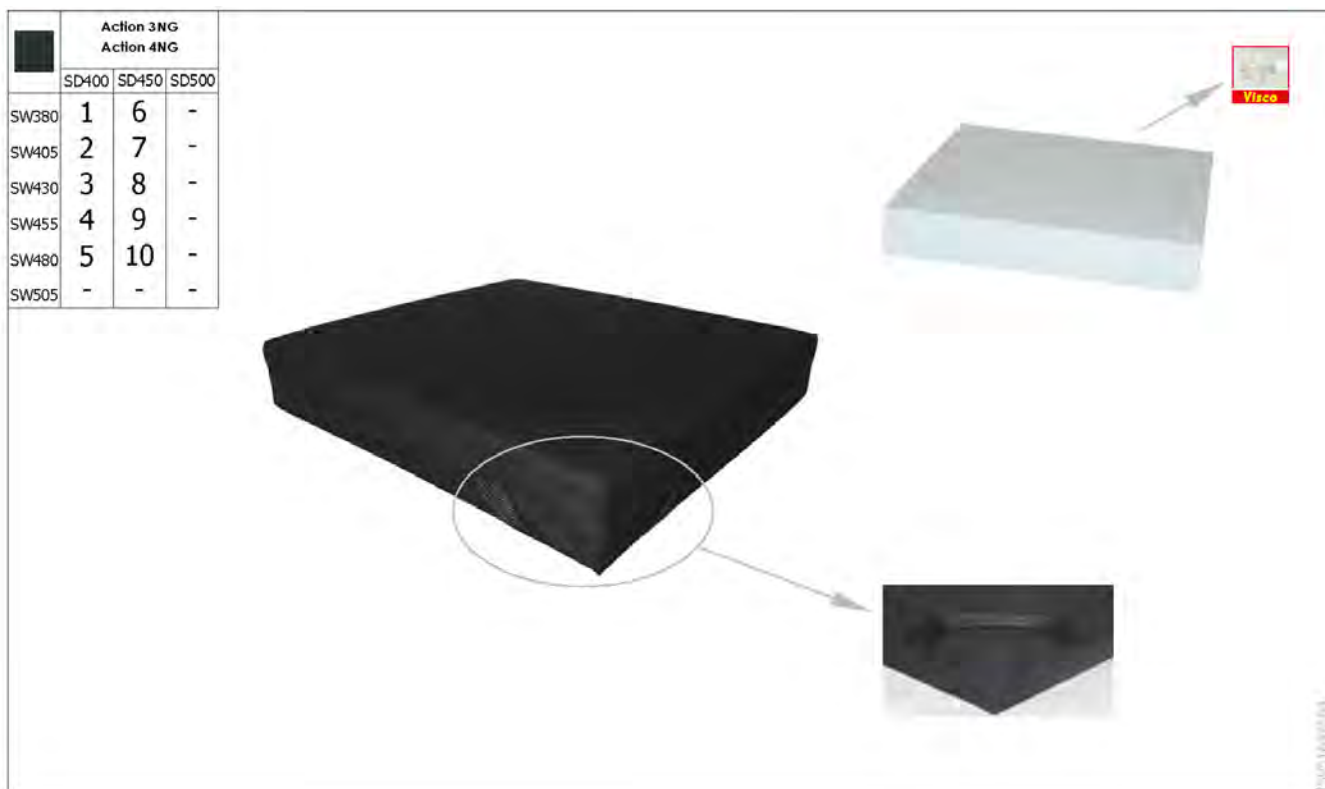
Pos.	Part number	Description	Valid from → until	Qty
1	1627195	Cushion Profil Air W400 x D400 mm		1
2	1627196	Cushion Profil Air W400 x D450 mm		1
3	1627197	Cushion Profil Air W450 x D450 mm		1

## Rigidizer [FR]

	Action 3NG Action 4NG	
	SD400	SD450
SW380	-	-
SW405	1	3
SW430	1	3
SW455	2	4
SW480	-	-
SW505	-	-



Pos.	Part number	Description	Valid from → until	Qty
1	1494497	Rigidizer W395 x D380 - for FloTech cushion		1
2	1494498	Rigidizer W395 x D430 - For FloTech cushion		1
3	1494500	Rigidizer W445 x D380 - For FloTech cushion		1
4	1494501	Rigidizer W445 x D430 - For FloTech cushion		1



Pos.	Part number	Description	Valid from → until	Qty
1	1627254	Classic Visco Cushion 405x400mm Inc Extra Cover		1
1	1627253	Classic Visco Cushion 375x400mm Inc Extra Cover		1
2	1627255	Classic Visco Cushion 430x430mm Inc Extra Cover		1
2	1627253	Classic Visco Cushion 375x400mm Inc Extra Cover		1
2	1627254	Classic Visco Cushion 405x400mm Inc Extra Cover		1
3	1627254	Classic Visco Cushion 405x400mm Inc Extra Cover		1
3	1627255	Classic Visco Cushion 430x430mm Inc Extra Cover		1
3	1627256	Classic Visco Cushion 455x400mm Inc Extra Cover		1
4	1627256	Classic Visco Cushion 455x400mm Inc Extra Cover		1
4	1627254	Classic Visco Cushion 405x400mm Inc Extra Cover		1
4	1627255	Classic Visco Cushion 430x430mm Inc Extra Cover		1
5	1627256	Classic Visco Cushion 455x400mm Inc Extra Cover		1
6	1627256	Classic Visco Cushion 455x400mm Inc Extra Cover		1
7	1627254	Classic Visco Cushion 405x400mm Inc Extra Cover		1
7	1627256	Classic Visco Cushion 455x400mm Inc Extra Cover		1
7	1627255	Classic Visco Cushion 430x430mm Inc Extra Cover		1
8	1627255	Classic Visco Cushion 430x430mm Inc Extra Cover		1
8	1627256	Classic Visco Cushion 455x400mm Inc Extra Cover		1
9	1627256	Classic Visco Cushion 455x400mm Inc Extra Cover		1
9	1627255	Classic Visco Cushion 430x430mm Inc Extra Cover		1
10	1627255	Classic Visco Cushion 430x430mm Inc Extra Cover		1

## Matrix Flo-Tech LITE cushions



Pos.	Part number	Description	Valid from → until	Qty
1	1575607	Cushion Lite, SW380 x SD400mm		1
2	1575609	Cushion Lite, SW405 x SD400mm		1
3	1575611	Cushion Lite, SW430 x SD400mm		1
4	1575613	Cushion Lite, SW455 x SD400mm		1
5	1575615	Cushion Lite, SW480 x SD400mm		1
6	1575617	Cushion Lite, SW505 x SD400mm		1
7	1575608	Cushion Lite, SW380 x SD450mm		1
8	1575610	Cushion Lite, SW405 x SD450mm		1
9	1575612	Cushion Lite, SW430 x SD450mm		1
10	1575614	Cushion Lite, SW455 x SD450mm		1
11	1575616	Cushion Lite, SW480 x SD450mm		1
12	1575618	Cushion Lite, SW505 x SD450mm		1

## Matrx Flo-Tech CONTOUR VISCO cushions



Pos.	Part number	Description	Valid from → until	Qty
1	1559590	Cushion Contour Visco, SW380 x SD405 x H90mm MUW:100Kg (FCSB15/16/LMM/SGL) <i>Replace 1501111</i>		1
2	1559659	Cushion Contour Visco, SW405 x SD405 x H90mm MUW:100Kg (FCSB16/16/LMM/SGL) <i>Replace 1501109</i>		1
3	1559730	Cushion Contour Visco, SW430 x SD405 x H90mm MUW:100Kg (FCSB17/16/LMM/SGL) <i>Replace 1501107</i>		1
4	1501114	Cushion Contour Visco, SW455 x SD405 x H90mm MUW:100Kg (FCSB18/16/LMF/SGL) <i>Replace 1523826</i>		1
5	1501116	Cushion Contour Visco, SW480 x SD405 x H90mm MUW:100Kg (FCSB19/16/LMF/SGL)		1
6	1501118	Cushion Contour Visco, SW505 x SD405 x H90mm MUW:125Kg (FCSB20/16/LMV/SGL)		1
7	1559657	Cushion Contour Visco, SW380 x SD455 x H90mm MUW:100Kg (FCSB15/18/LMM/SGL) <i>Replace 1501112</i>		1
8	1526594	Cushion Contour Visco, SW405 x SD455 x H90mm MUW:100Kg (FCSB16/18/LMF/SGL) <i>Replace 1501110</i>		1
9	1526595	Cushion Contour Visco, SW430 x SD455 x H90mm MUW:100Kg (FCSB17/18/LMF/SGL) <i>Replace 1501108</i>		1
10	1526608	Cushion Contour Visco, SW455 x SD455 x H90mm MUW:100Kg (FCSB18/18/LMF/SGL) <i>Replace 1501115/ 1525535</i>		1
11	1525020	Cushion Contour Visco, SW480 x SD455 x H90mm MUW:125Kg (FCSB19/18/LMV/SGL) <i>Replace 1501117</i>		1
12	1525021	Cushion Contour Visco, SW505 x SD455 x H90mm MUW:125Kg (FCSB20/18/LMV/SGL) <i>Replace 1501119</i>		1

## Matrix Flo-Tech IMAGE cushions



Pos.	Part number	Description	Valid from → until	Qty
1	1575728	Cushion Image, SW380 x SD405 x H78mm, MUW-140kg (FISB15/16)		1
2	1511196	Cushion Image, SW405 x SD405 x H78mm, MUW-140kg (FISB16/16)		1
3	1511197	Cushion Image, SW430 x SD405 x H78mm, MUW-140kg (FISB17/16)		1
4	1511198	Cushion Image, SW455 x SD405 x H78mm, MUW-140kg (FISB18/16)		1
5	1511199	Cushion Image, SW480 x SD405 x H78mm, MUW-140kg (FISB19/16)		1
6	1526417	Cushion Image, SW505 x SD405 x H78mm, MUW-140kg (FISB20/16)		1
7	1575729	Cushion Image, SW380 x SD455 x H78mm, MUW-140kg (FISB15/18)		1
8	1526412	Cushion Image, SW405 x SD455 x H78mm, MUW-140kg (FISB16/18) <i>Replace 1523771</i>		1
9	1526413	Cushion Image, SW430 x SD455 x H78mm, MUW-140kg (FISB17/18) <i>Replace 1511200</i>		1
10	1526414	Cushion Image, SW455 x SD455 x H78mm, MUW-140kg (FISB18/18) <i>Replace 1523772</i>		1
11	1526415	Cushion Image, SW480 x SD455 x H78mm, MUW-140kg (FISB19/18) <i>Replace 1523813</i>		1
12	1526416	Cushion Image, SW505 x SD455 x H78mm, MUW-140kg (FISB20/18)		1



## Matrix Flo-Tech XTRA cushions



Pos.	Part number	Description	Valid from → until	Qty
1	1494430	Cushion Solution Xtra, SW380 x SD405mm		1
2	1487145	Cushion Solution Xtra, SW405 x SD405mm		1
3	1494441	Cushion Solution Xtra, SW430 x SD405mm		1
4	1487147	Cushion Solution Xtra, SW455 x SD405mm		1
5	1494451	Cushion Solution Xtra, SW480 x SD405mm		1
6	1552058	Cushion Solution Xtra, SW505 x SD405mm		1
7	1494432	Cushion Solution Xtra, SW380 x SD455mm		1
8	1551914	Cushion Solution Xtra, SW405 x SD455mm		1
9	1551922	Cushion Solution Xtra, SW430 x SD455mm		1
10	1551925	Cushion Solution Xtra, SW455 x SD455mm		1
11	1552055	Cushion Solution Xtra, SW480 x SD455mm		1
12	1552060	Cushion Solution Xtra, SW505 x SD455mm		1

## Matrx VI Cushions

	Action 3NG		Action XT			Action 4NG			EspilAction 4NG		
	SD400	SD450	SD400	SD450	SD500	SD400	SD450	SD500	SD400	SD450	SD500
SW380	1	5	1	5	-	1	5	-	1	5	-
SW405	1	5	1	5	-	1	5	-	1	5	-
SW430	2	6	2	6	9	2	6	9	2	6	9
SW455	3	7	3	7	10	3	7	10	3	7	10
SW480	4	8	4	8	11	4	8	11	4	8	11
SW505	4	8	4	8	11	-	-	-	4	8	11
SW555	-	-	-	-	-	-	-	-	-	12	13



Pos.	Part number	Description	Valid from → until	Qty
1	1579786	Matrx Flo-Tech VI cushions 410x410 mm		1
2	1579829	Matrx Flo-Tech VI cushions 430x410 mm		1
3	1579920	Matrx Flo-Tech VI cushions 460x410 mm		1
4	1579923	Matrx Flo-Tech VI cushions 510x410 mm		1
5	1579787	Matrx Flo-Tech VI cushions 410x460 mm		1
6	1579918	Matrx Flo-Tech VI cushions 430x460 mm		1
7	1579921	Matrx Flo-Tech VI cushions 460x460 mm		1
8	1579924	Matrx Flo-Tech VI cushions 510x460 mm		1
9	1579919	Matrx Flo-Tech VI cushions 430x510 mm		1
10	1579922	Matrx Flo-Tech VI cushions 460x510 mm		1
11	1579925	Matrx Flo-Tech VI cushions 510x510 mm		1
12	1579926	Matrx Flo-Tech VI cushions 560x460 mm		1
13	1579927	Matrx Flo-Tech VI cushions 560x510 mm		1

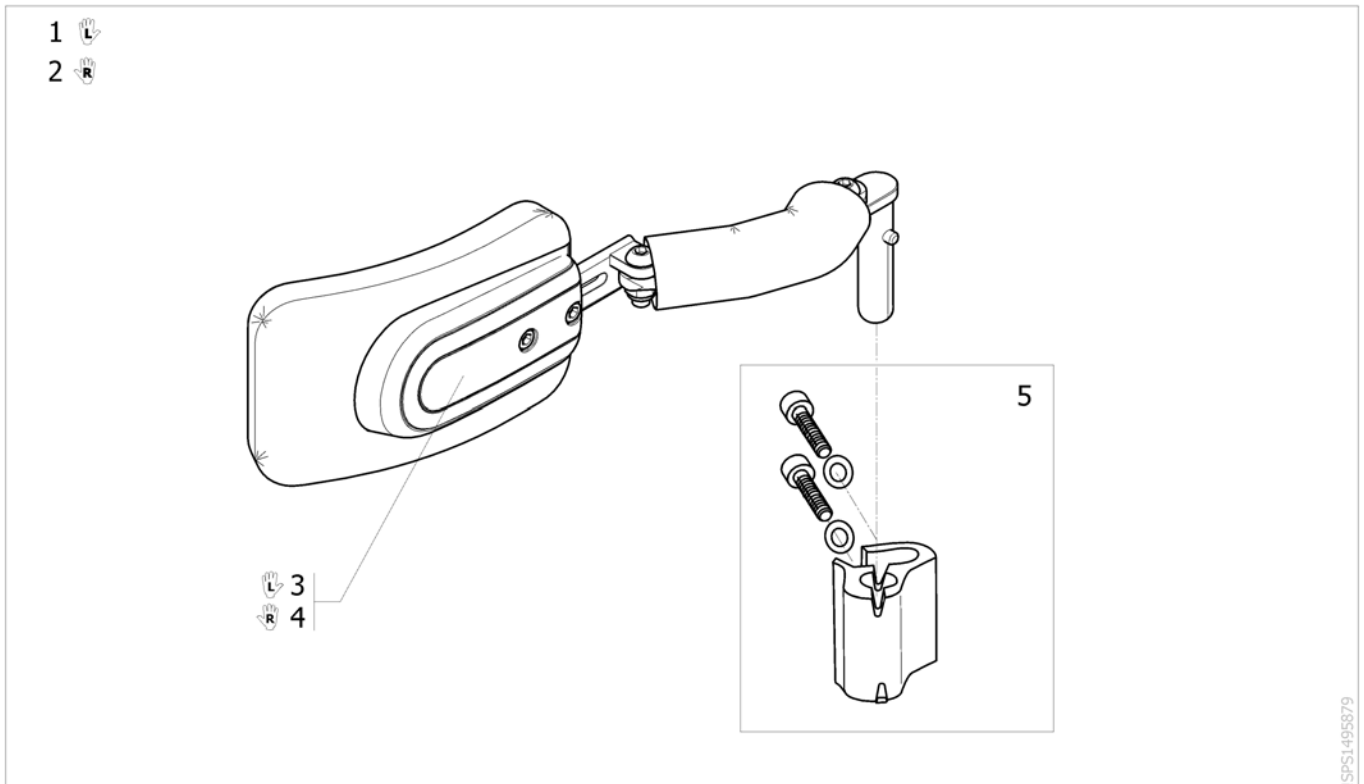
## Matrx LIBRA Cushions

	Action 3NG		Action XT			Action 4NG			EspiraAction 4NG		
	SD400	SD450	SD400	SD450	SD500	SD400	SD450	SD500	SD400	SD450	SD500
SW380	1	7	1	7	-	1	7	-	1	7	-
SW405	2	8	2	8	-	2	8	-	2	8	-
SW430	3	9	3	9	13	3	9	13	3	9	13
SW455	4	10	4	10	14	4	10	14	4	10	14
SW480	5	11	5	11	15	5	11	15	5	11	15
SW505	6	12	6	12	16	6	12	16	6	12	16
SW555	-	-	-	-	-	-	-	-	-	17	18



Pos.	Part number	Description	Valid from → until	Qty
1	LC1516	Matrx Libra cushions 380x410 mm		1
2	LC1616	Matrx Libra cushions 410x410 mm		1
3	LC1716	Matrx Libra cushions 430x410 mm		1
4	LC1816	Matrx Libra cushions 460x410 mm		1
5	LC1916	Matrx Libra cushions 480x410 mm		1
6	LC2016	Matrx Libra cushions 510x410 mm		1
7	LC1518	Matrx Libra cushions 380x460 mm		1
8	LC1618	Matrx Libra cushions 410x460 mm		1
9	LC1718	Matrx Libra cushions 430x460 mm		1
10	LC1818	Matrx Libra cushions 460x460 mm		1
11	LC1918	Matrx Libra cushions 480x460 mm		1
12	LC2018	Matrx Libra cushions 510x460 mm		1
13	LC1720	Matrx Libra cushions 430x510 mm		1
14	LC1820	Matrx Libra cushions 380x510 mm		1
15	LC1920	Matrx Libra cushions 480x510 mm		1
16	LC2020	Matrx Libra cushions 510x510 mm		1
17	LC2218	Matrx Libra cushions 560x460 mm		1
18	LC2220	Matrx Libra cushions 560x510 mm		1

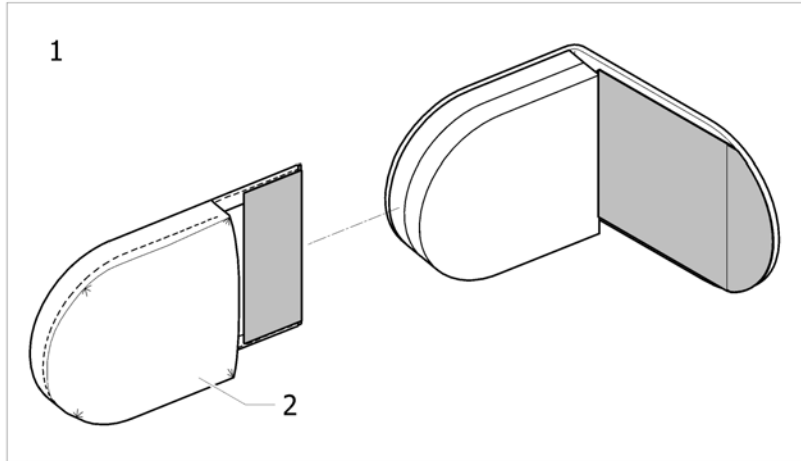
# Trunk Support Comfort Dartex



ISPS1495879

Pos.	Part number	Description	Valid from → until	Qty
1	1562549	Lh trunk-support cplt Dartex + Support <i>Replace 1436032</i>		1
2	1562550	Rh trunk-support cplt Dartex + Support <i>Replace 1436044</i>		1
3	1551853	TRUNK SUPPORT 2012, LE, SWINGAWAY		1
4	1551866	TRUNK SUPPORT 2012, RI, SWINGAWAY		1
5	1442517	Trunk Support Fixation		2

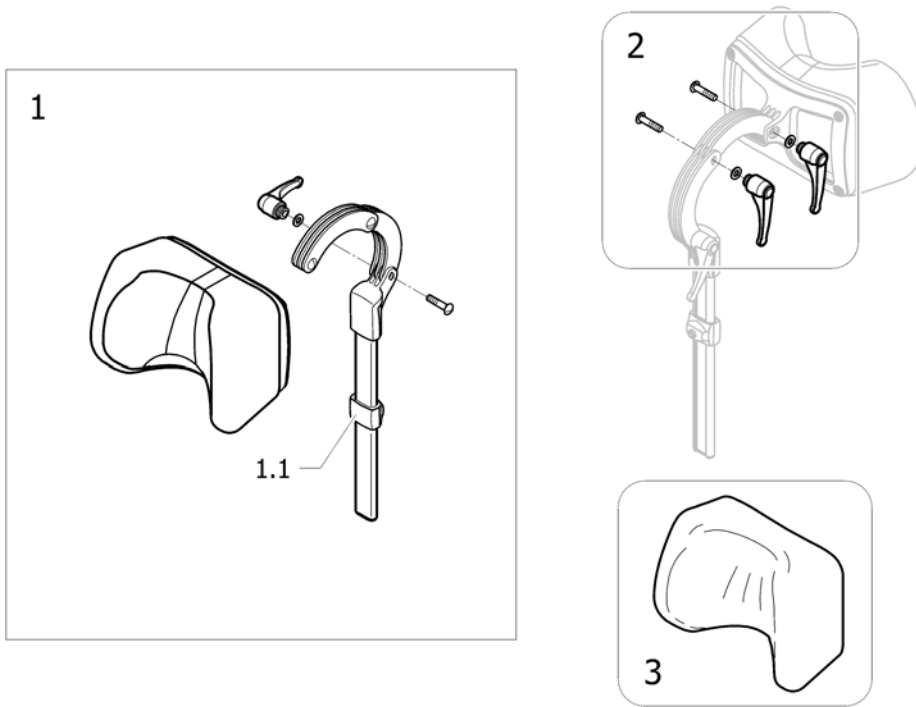
## Lateral positioning pad



ISPS1604041

Pos.	Part number	Description	Valid from → until	Qty
1	SP1602253	Lateral positining pad cpl.		2
2	SP1602245-TR26	Cover lateral positioning pad		2
-	AP1603853	Lateral positioning pads (pair)		1

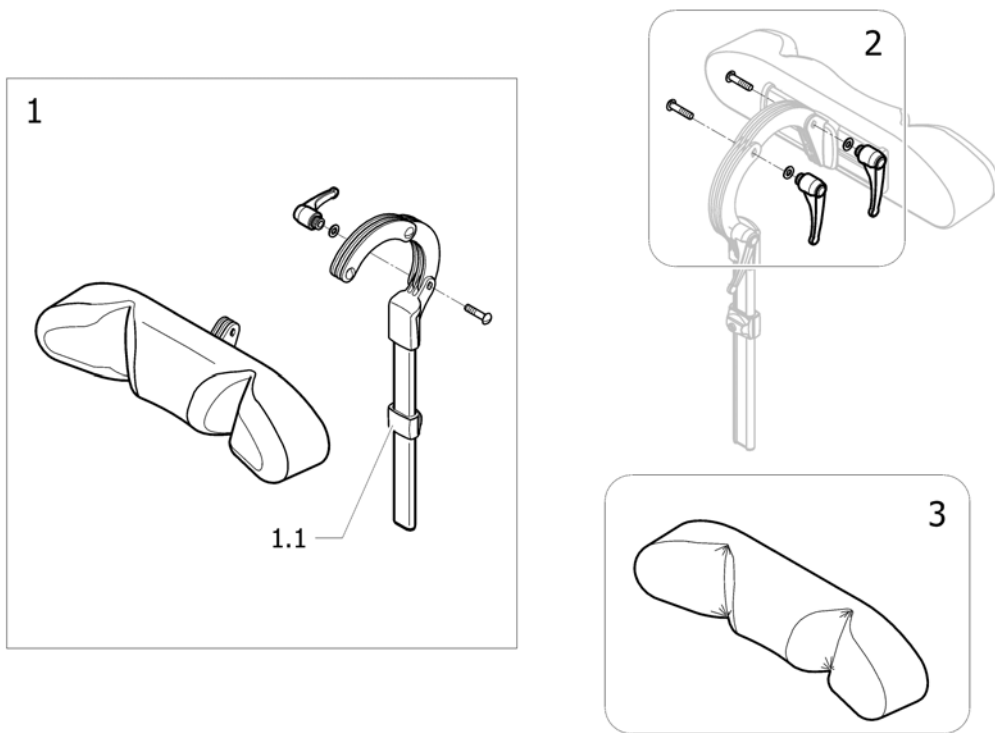
# Neckrest



!SPS1548246

Pos.	Part number	Description	Valid from → until	Qty
1	1508848	NECKREST		1
1.1	SP1448661	stop neck and headrest <i>Replace 1448661</i>		1
2	1445693	CLINIC KIT, NECK- & HEADREST		1
3	1518517	COVER, NECKREST		1

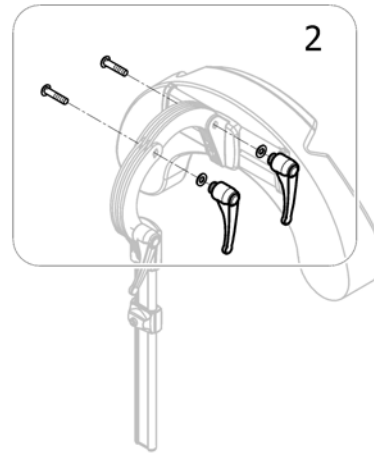
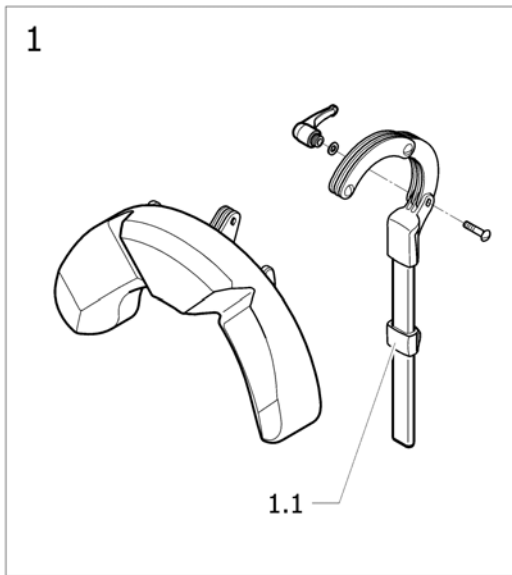
# Headrest



!SPS1553018 ~ sps1553018\_it

Pos.	Part number	Description	Valid from → until	Qty
1	1446559	Headrest, Sidewise Adj.		1
1.1	SP1448661	stop neck and headrest <i>Replace 1448661</i>		1
2	1445693	CLINIC KIT, NECK- & HEADREST		1
3	1518516	Cover, Headrest		1

## Cheek support

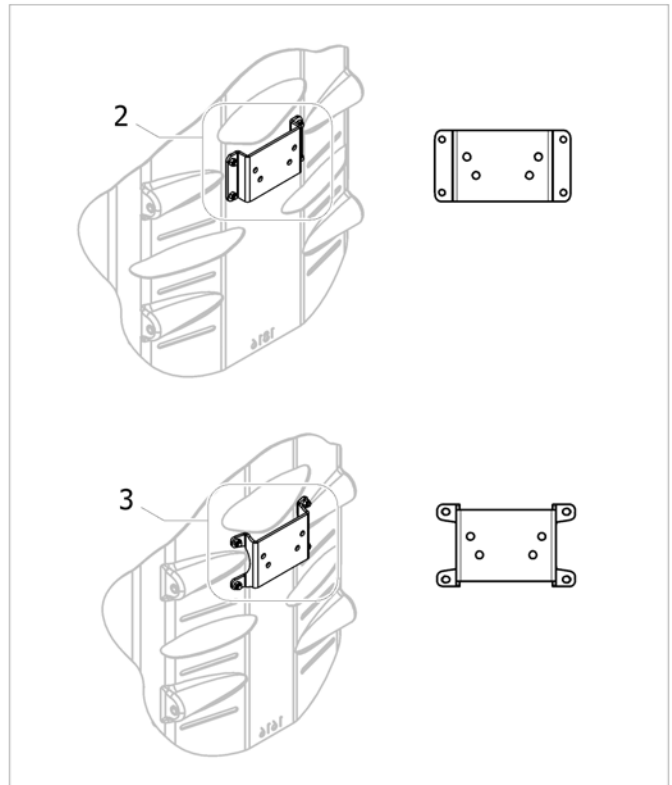
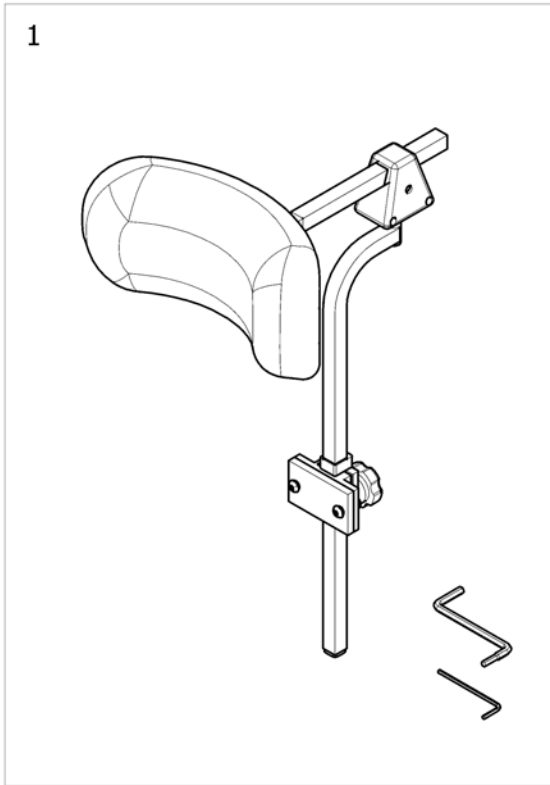


ISPS1555289 ~ sps1553018\_it

Pos.	Part number	Description	Valid from → until	Qty
1	1446560	HEAD/CHEEK SUPP. TR26 CPL. SIDEWISE ADJUSTABLE		1
1.1	SP1448661	stop neck and headrest <i>Replace 1448661</i>		1
2	1445693	CLINIC KIT, NECK- & HEADREST		1



## Soft pad headrest and adapter Matrix

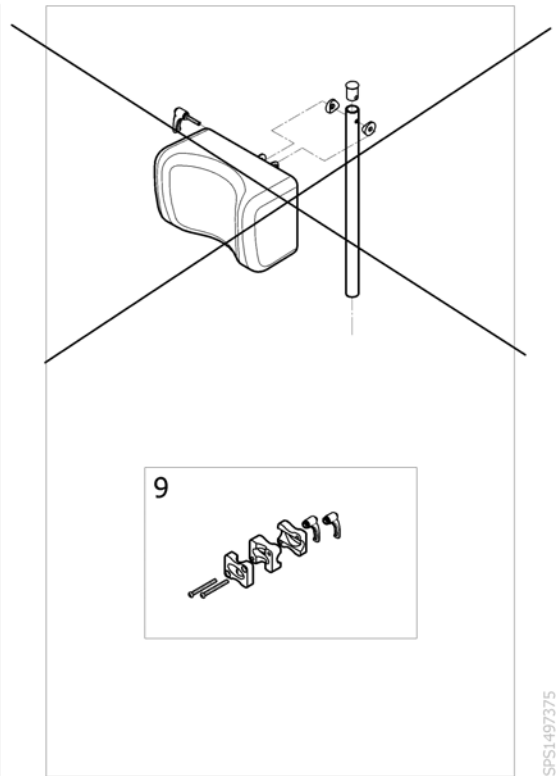
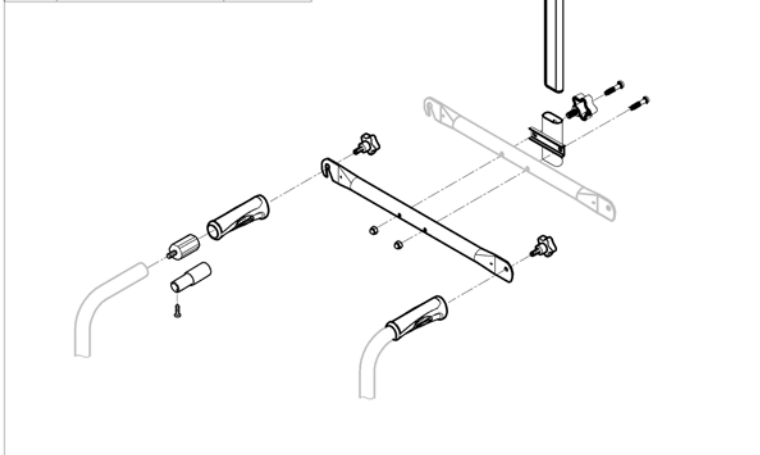


ISPS1574744

Pos.	Part number	Description	Valid from → until	Qty
1	1545274	Matrix 25.5cm Soft Pad Headrest Kit		1
2	1544187	Elite Headrest Mounting Hardware - Large		1
3	1544188	Elite Headrest Mounting Hardware - Medium		1

## Standard Headrest =>2011-06-30

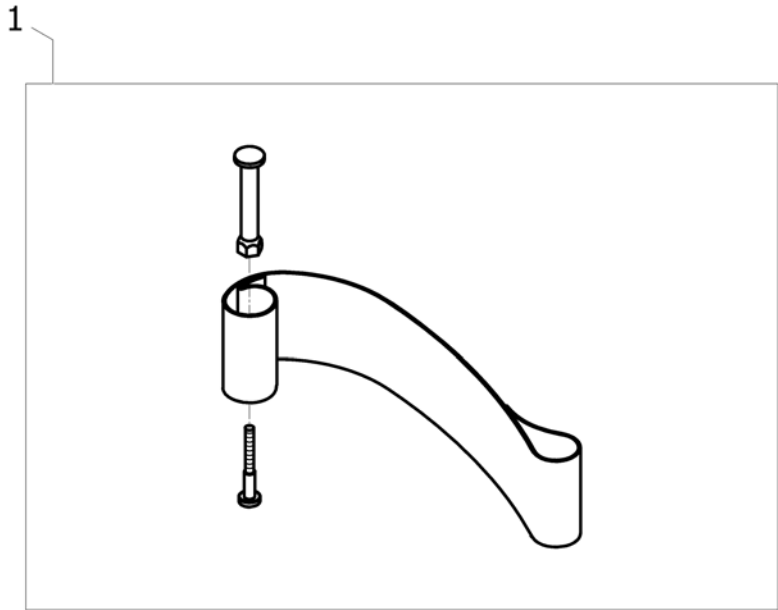
	Action 4NG	Action 3NG	Action 2NG
SW380	1	1	1
SW405	2	2	2
SW430	3	3	3
SW455	4	4	4
SW480	5	5	5
SW505	6	6	-
SW555	7	-	-
SW605	8	-	-



ISPS1497375

Pos.	Part number	Description	Valid from → until	Qty
1	1574745	Headrest + Backbrace NG SW380 mm <i>Replace 1433028 (1432623+1432622+1432617+1434099)</i>	→ 2011-06-30	1
2	1574746	Headrest + Backbrace NG SW405 mm <i>Replace 1433029 (1432623+1432622+1432617+1434100)</i>	→ 2011-06-30	1
3	1574747	Headrest + Backbrace NG SW430 mm <i>Replace 1433030 (1432623+1432622+1432617+1433707)</i>	→ 2011-06-30	1
4	1574748	Headrest + Backbrace NG SW455 mm <i>Replace 1433031 (1432623+1432622+1432617+1433708)</i>	→ 2011-06-30	1
5	1574749	Headrest + Backbrace NG SW480 mm <i>Replace 1433032 (1432623+1432622+1432617+1433716)</i>	→ 2011-06-30	1
6	1574763	Headrest + Backbrace NG SW505 mm <i>Replace 1433033 (1432623+1432622+1432617+1434105)</i>	→ 2011-06-30	1
7	1574806	Headrest + Backbrace NG SW555 mm <i>Replace 1496214 (1432623+1432622+1432617+1483910)</i>	→ 2011-06-30	1
8	1574807	Headrest + Backbrace NG SW605 mm <i>Replace 1496215 ((1432623+1432622+1432617+1483911)</i>	→ 2011-06-30	1
9	1432617	Headrest Support Kit	→ 2011-06-30	1

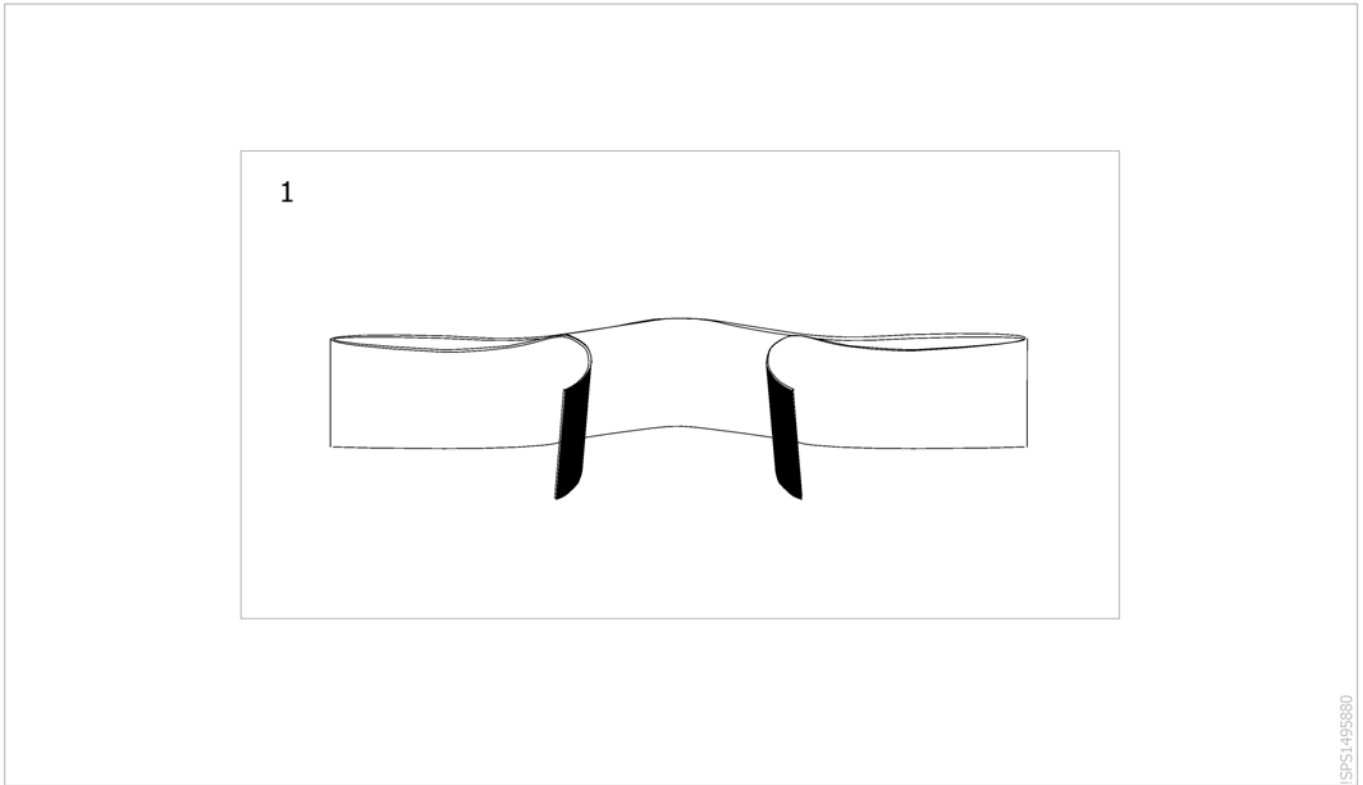
# Heels strap



15P133490

Pos.	Part number	Description	Valid from → until	Qty
1	1492315	Kit heelstrap, adjustable, medium <i>Replace 1534891</i>		2

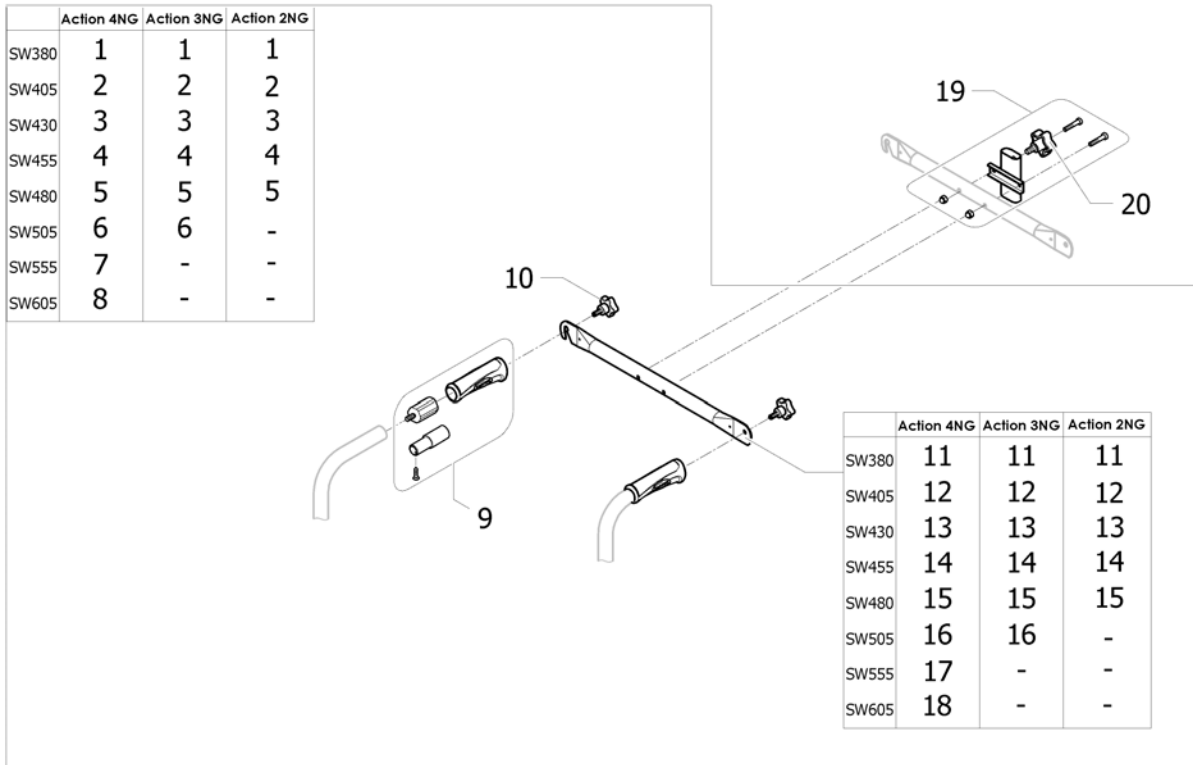
## Calf Strap



ISPS1495880

Pos.	Part number	Description	Valid from → until	Qty
1	1433580	Calf strap, soft		1

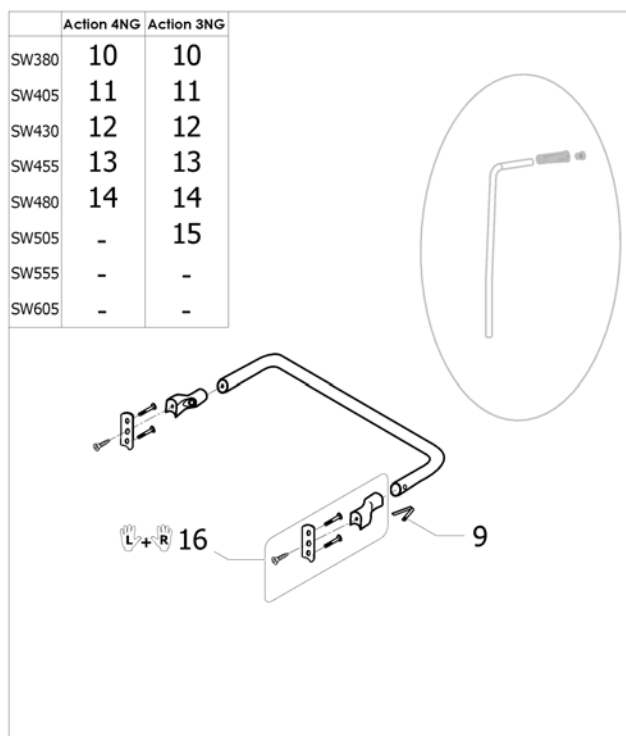
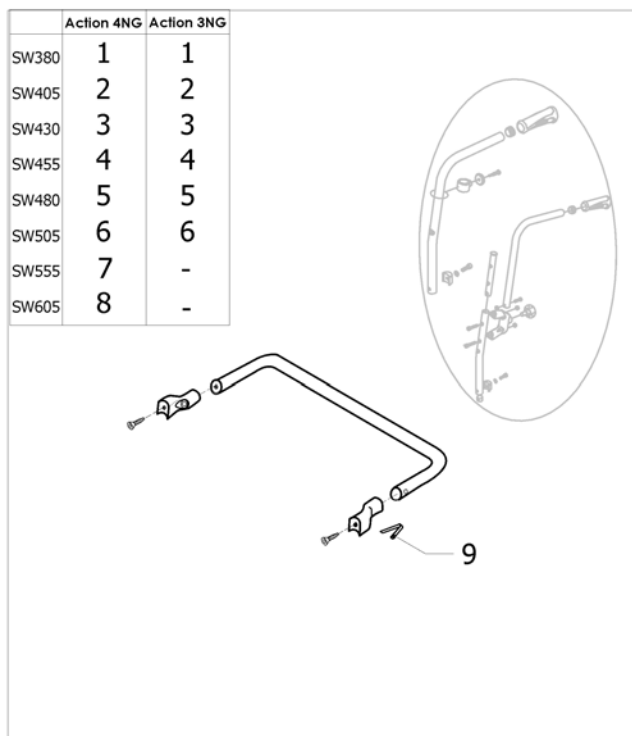
## Back Brace standard + support



ISPS1543302 ~ sps1553018\_II

Pos.	Part number	Description	Valid from → until	Qty
1	1434099	Back Brace with inserts and handles SW380 mm		1
2	1434100	Back Brace with inserts and handles SW405 mm		1
3	1433707	Back Brace with inserts and handles SW430 mm		1
4	1433708	Back Brace with inserts and handles SW455 mm		1
5	1433716	Back Brace with inserts and handles SW480 mm		1
6	1434105	Back Brace with inserts and handles SW505 mm		1
7	1483910	Back Brace with inserts and handles SW555 mm		1
8	1483911	Back Brace with inserts and handles SW605 mm		1
9	1430412	Back brace insert for fixed backrest tube		2
10	0021-60029	Button Ø32 mm M6x16		2
11	SP1586520-0601	Backbrace SW380 mm Black (v2017) <i>Interchangeable - Replace 1428535-0601</i>	2017-11-09 →	1
12	SP1586521-0601	Backbrace SW405 mm Black (v2017) <i>Interchangeable - Replace 1428536-0601</i>	2017-11-11 →	1
13	SP1586522-0601	Backbrace SW430 mm Black (v2017) <i>Interchangeable - Replace 1428537-0601</i>	2017-11-04 →	1
14	SP1586523-0601	Backbrace SW455 mm Black (v2017) <i>Interchangeable - Replace 1428538-0601</i>	2017-11-11 →	1
15	SP1586524-0601	Backbrace SW480 mm Black (v2017) <i>Interchangeable - Replace 1428539-0601</i>	2017-11-08 →	1
16	SP1586525-0601	Backbrace SW505 mm Black (v2017) <i>Interchangeable - Replace 1428540-0601</i>	2017-10-29 →	1
17	SP1586526-0601	Backbrace SW555 mm Black (v2017) <i>Interchangeable - Replace 1485926-0601</i>	2017-11-15 →	1
18	SP1586527-0601	Backbrace SW605 mm Black (v2017) <i>Interchangeable - Replace 1485927-0601</i>	2017-10-19 →	1
19	1554616	Kit headrest support (bracket+screw+bolt+button screw M8) Action NG	2011-07-01 →	1
20	0021-60026	Button screw 40 mm M8x16	2011-07-01 →	1

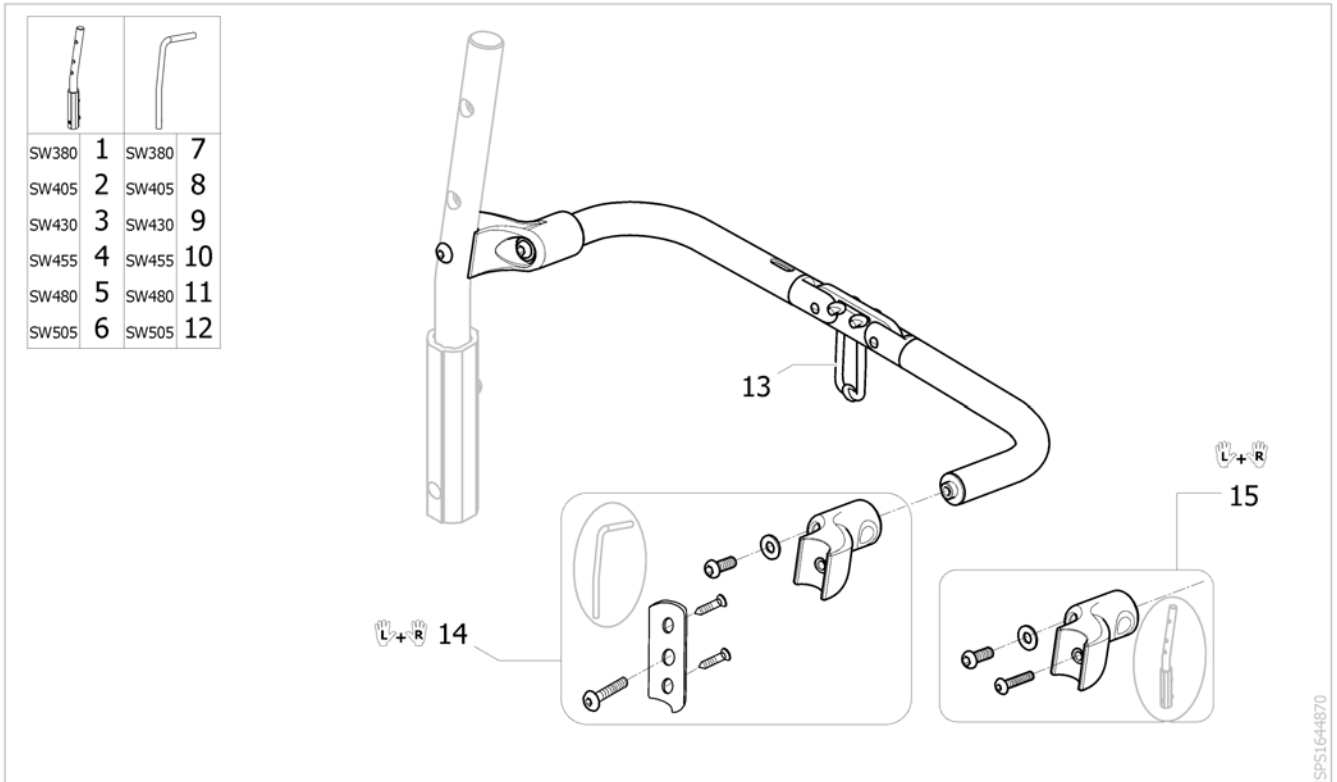
## Back Brace type Rea



ISPS1496420 ~ sps1553018\_11

Pos.	Part number	Description	Valid from → until	Qty
1	1450575	Backbrace type Rea fix SW380 mm <i>[CE_0395/CE_0396] [CK_0300/CK_0310]</i>		1
2	1450576	Backbrace type Rea fix SW405 mm <i>[CE_0395/CE_0396] [CK_0300/CK_0310]</i>		1
3	1450577	Backbrace type Rea fix SW430 mm <i>[CE_0395/CE_0396] [CK_0300/CK_0310]</i>		1
4	1450578	Kit Backbrace SW455 for fixed backrest <i>[CE_0395/CE_0396] [CK_0300/CK_0310]</i>		1
5	1450562	Backbrace type Rea fix SW480 mm <i>[CE_0395/CE_0396] [CK_0300/CK_0310]</i>		1
6	1450451	Backbrace type Rea fix SW505 mm <i>[CE_0395/CE_0396] [CK_0300/CK_0310]</i>		1
7	1451482	Backbrace type Rea fix SW555 mm <i>[CK_0300/CK_0310]</i>		1
8	1451483	Backbrace type Rea fix SW605 mm <i>[CK_0300/CK_0310]</i>		1
9	0027-10003	Spring pin locked armrest		1
10	1449033	Back Brace SW380 mm Type Rea rack <i>[CE_0428] [CK_0315]</i>		1
11	1449034	Back Brace SW405 mm Type Rea rack <i>[CE_0428] [CK_0315]</i>		1
12	1449035	Back Brace SW430 mm Type Rea rack <i>[CE_0428] [CK_0315]</i>		1
13	1451225	Back Brace SW455 mm Type Rea rack <i>[CE_0428] [CK_0315]</i>		1
14	1451226	Back Brace SW480 mm Type Rea rack <i>[CE_0428] [CK_0315]</i>		1
15	1451227	Back Brace SW505 mm Type Rea rack <i>[CE_0428]</i>		1
16	1493360	Rea Backbrace Fixation Kit (pair)		1

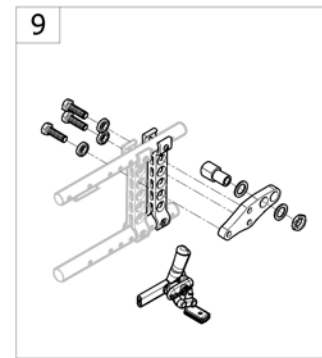
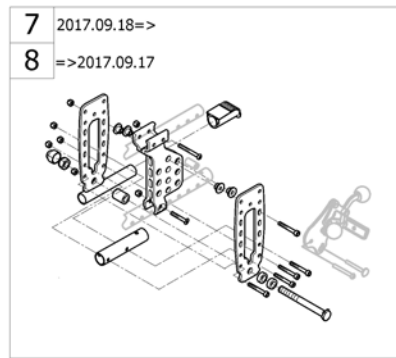
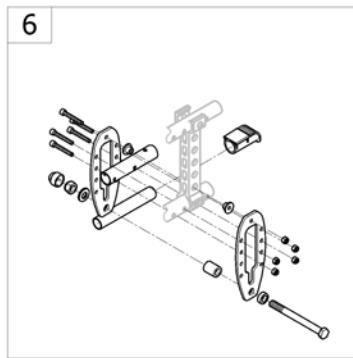
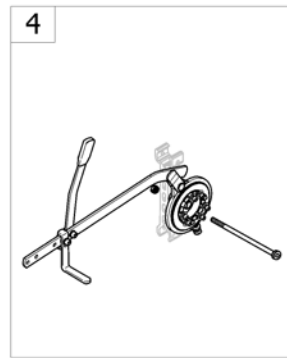
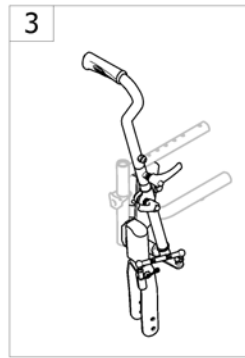
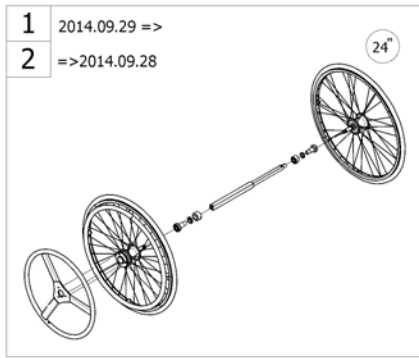
## Folding backbrace: 2017.09.18 =>



ISPS1644870

Pos.	Part number	Description	Valid from → until	Qty
1	SP1645316	Backbrace Foldable fixed backrest SW380	2017-09-18 →	1
2	SP1645317	Backbrace Foldable fixed backrest SW405	2017-09-18 →	1
3	SP1645318	Backbrace Foldable fixed backrest SW430	2017-09-18 →	1
4	SP1645319	Backbrace Foldable fixed backrest SW455	2017-09-18 →	1
5	SP1645320	Backbrace Foldable fixed backrest SW480	2017-09-18 →	1
6	SP1645321	Backbrace Foldable fixed backrest SW505	2017-09-18 →	1
7	SP1645322	Backbrace Foldable reclining backrest SW380	2017-09-18 →	1
8	SP1645323	Backbrace Foldable reclining backrest SW405	2017-09-18 →	1
9	SP1645324	Backbrace Foldable reclining backrest SW430	2017-09-18 →	1
10	SP1645325	Backbrace Foldable reclining backrest SW455	2017-09-18 →	1
11	SP1645326	Backbrace Foldable reclining backrest SW480	2017-09-18 →	1
12	SP1645327	Backbrace Foldable reclining backrest SW505	2017-09-18 →	1
13	SP1601900	Cord for backbrace & angle/fold down backrest attachment	2017-09-18 →	1
14	SP1645354	Kit foldable backbrace fixation for reclining backrest	2017-09-18 →	2
15	SP1645353	Kit foldable backbrace fixation for fixed backrest	2017-09-18 →	2

# Propulsion Options



-<SPACTION3NG96

Pos.	Part number	Description	Valid from → until	Qty
1	-	Dual handrim QR axle 2014.09.29 =>		1
2	-	Dual handrim QR axle => 2014.09.28	→ 2014-09-28	1
3	-	Hand Control For Oad By Lever		1
4	-	Oad By Lever		1
5	-	Wheels For Oad By Lever		1
6	-	Rear wheel support transit		1
7	-	Support transit amputee Black 2017.09.18 => <i>Relaunch A3-A4</i>	2017-09-18 →	1
8	-	Support transit amputee =>2017.09.17		1
9	-	Dual Amputee Black Position		1



## Dual handrim QR axle 2014.09.29 =>

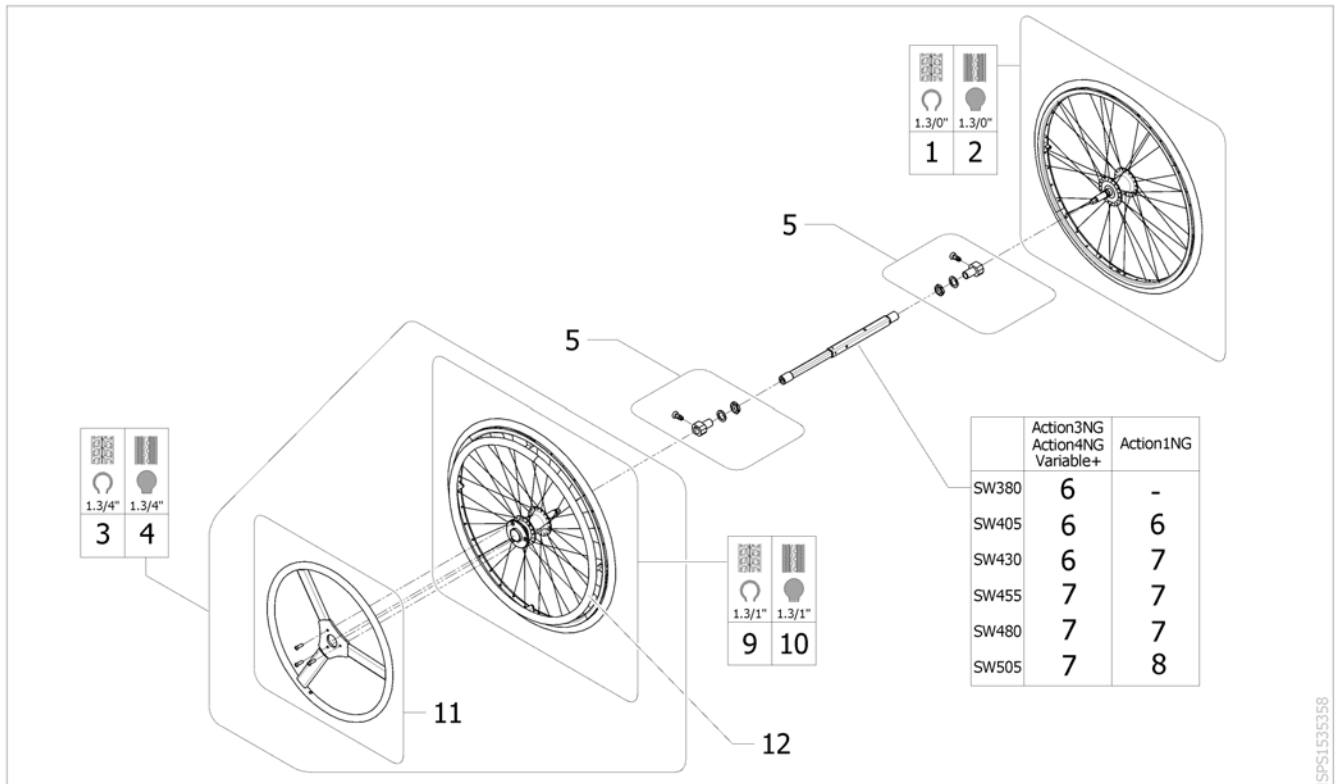
	Action3NG		Action3NG Double Amputé		Action4NG		Action4NG Double Amputé		Action1NG	
	1.3/8"	1.3/8"	1.3/8"	1.3/8"	1.3/8"	1.3/8"	1.3/8"	1.3/8"	1.3/8"	1.3/8"
SW380	1	3	1	3	1	3	1	3	-	-
SW405	1	3	1	3	1	3	1	3	1	3
SW430	1	3	2	4	1	3	1	3	2	4
SW455	2	4	2	4	2	4	2	4	2	4
SW480	2	4	2	4	2	4	2	4	2	4
SW505	2	4	-	-	-	-	-	-	2	4

	A3NG	A3NG Double Amputé	A4NG	A4NG Double Amputé	A1NG
SW380	10	10	10	10	-
SW405	10	10	10	10	10
SW430	10	11	10	10	11
SW455	11	11	11	11	11
SW480	11	11	11	11	11
SW505	11	-	-	-	11

ISPS1585158

Pos.	Part number	Description	Valid from → until	Qty
1	SP1585323	Dual handrim pneumatic 24" kit, bar "A" L:259-359		1
2	SP1585324	Dual handrim pneumatic kit, bar "B" L:340-438		1
3	SP1585325	Dual handrim solid tyre kit, bar "A" L:259-359		1
4	SP1585326	Dual handrim solid tyre kit, bar "B" L:340-438		1
5	SP1572681	24" DHR Passive wheel, pneumatic + axle		1
6	SP1572682	24" DHR Passive wheel, solid tyre + axle		1
7	SP1572683	24" DHR Active wheel, pneumatic + axle + small handrim		1
8	SP1572684	24" DHR Active wheel, solid tyre + axle + small handrim		1
9	SP1572685	Wheel bearing for DHR		2
10	SP1572544	Telescopic shaft "A" for DHR, mini=259mm, maxi=359mm		1
11	SP1572545	Telescopic shaft "B" for DHR, mini=340mm, maxi=438mm		1
12	SP1585327	Small handrim + screw + sticker		1
13	SP1585328	24" Aluminium handrim + 6 fixations		1

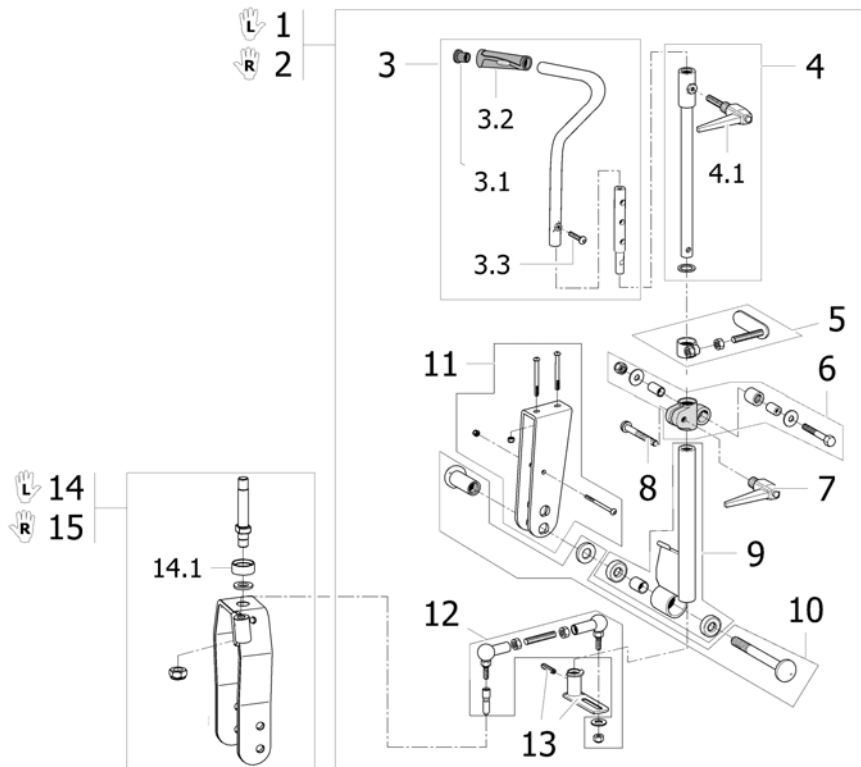
## Dual handrim QR axle => 2014.09.28



ISPS1535358

Pos.	Part number	Description	Valid from → until	Qty
1	1508491	WHEEL 24" PNEU, NO HANDRIM, ONE ARM DRIVE	→ 2014-09-28	1
2	1508490	WHEEL 24" SOLID, NO HANDRIM, ONE ARM DRIVE	→ 2014-09-28	1
3	1509382	WHEEL 24" PNEU, ONE ARM DRIVE	→ 2014-09-28	1
4	1509436	WHEEL 24" SOLID, ONE ARM DRIVE	→ 2014-09-28	1
5	SP1513658	BRACKET KIT, ONE ARM DRIVE <i>Replace 1513658</i>	→ 2014-09-28	2
6	1511769	Telescopic Shaft Action/Spirea 380/430mm Dahlia 390mm	→ 2014-09-28	1
7	1508487	Telescopic Shaft Action/Spirea 455/505mm Dahlia 440/490mm	→ 2014-09-28	1
8	1511770	Telescopic Shaft 375 mm -495mm	→ 2014-09-28	1
9	1508485	24" DHR active wheel pneumatic w/o small handrim	→ 2014-09-28	1
10	1508486	24" DHR active wheel solid w/o small handrim	→ 2014-09-28	1
11	1508484	Small handrim + fixations	→ 2014-09-28	1
12	1514223	24" Aluminium handrim + 6 fixations	→ 2014-09-28	1

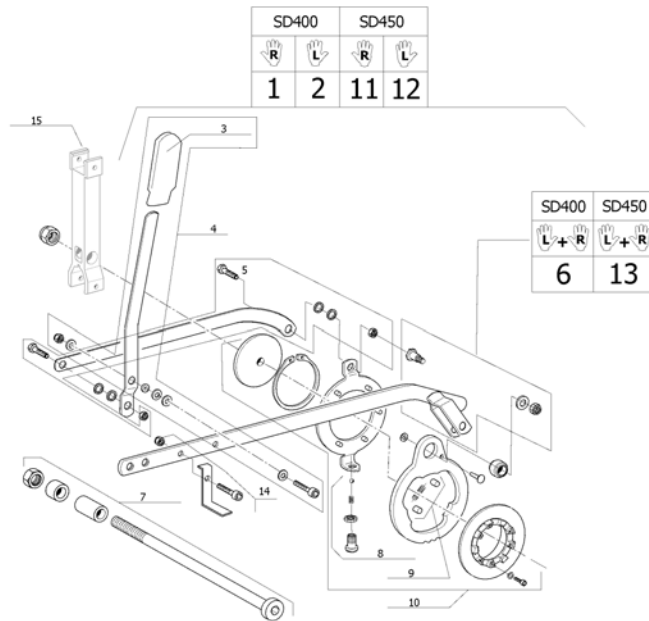
# Hand Control For Oad By Lever



SP513367

Pos.	Part number	Description	Valid from → until	Qty
1	1432936	Oad By Lever Hand Control Lh Completed Kit		1
2	1432935	Oad By Lever Hand Control Rh Completed Kit		1
3	1432624	Oad by lever hand control assy		1
3.1	1418112	Crossbrace back cap Ø22x15mm		1
3.2	1425473	Handle Invacare for backrest Ø22mm <i>Replace 1435421</i>		1
3.3	0029-40049	Cbhc screw M8x30; 8.8		1
4	1432625	Oad by lever hand lever shaft		1
4.1	0021-70002	Indexable lever 63mm M8x16		1
5	1432627	Oad by lever brake shoe assy		1
6	1432998	Oad by lever adjustable sleeve assy		1
7	0021-70011	Indexable lever 63 mm M8		1
8	0029-40252	Clamp screw m8 x 1 1/4"		1
9	1432999	Oad By Lever Equalizer		1
10	1433000	Equalizer Completed Axle		1
11	1433003	Equalizer Support + Fixation		1
12	1534241	Oad By Lever Ball Joint Kit		1
13	1433002	Oad by lever steering bush + fixation		1
14	1535369	Oad By Lever Fork And Axle Kit Lh		1
14.1	1529516-0618	Fork ring Champagne		1
15	1535368	Oad By Lever Fork And Axle Kit Rh		1

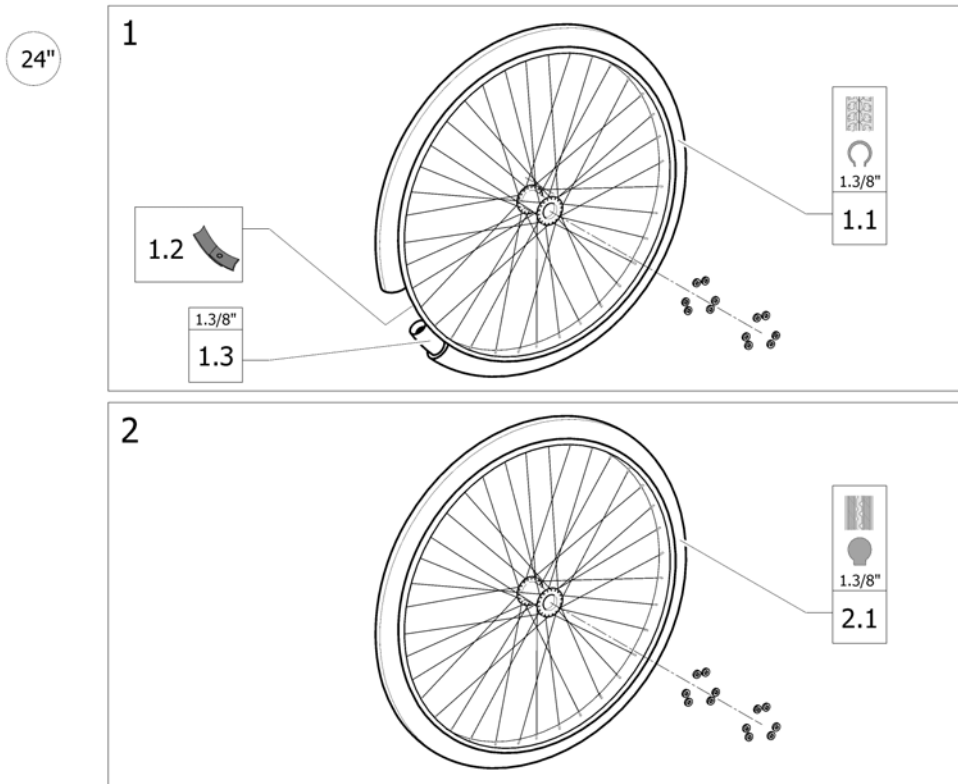
# Oad By Lever



ISPS1495873

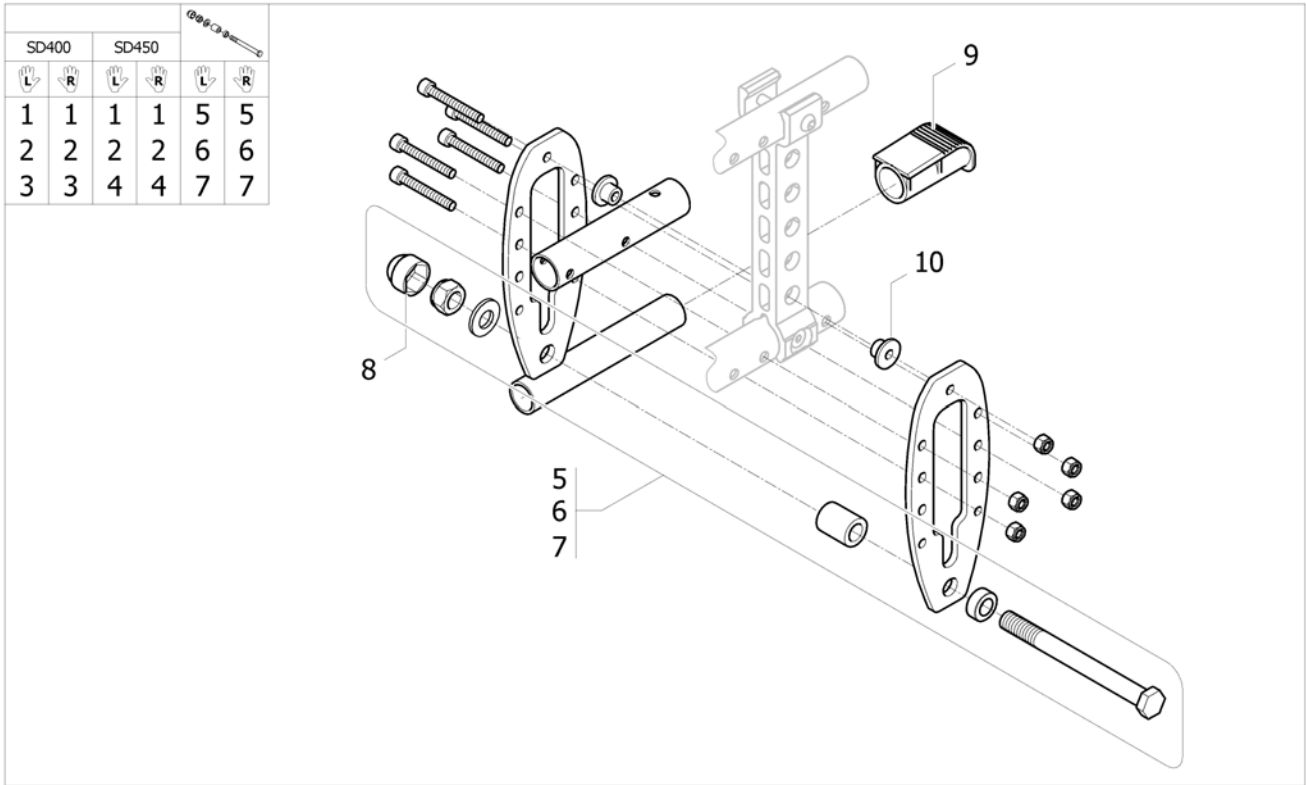
Pos.	Part number	Description	Valid from → until	Qty
1	1432932	Oad by lever Rh transmission kit SD400 mm		1
2	1432933	Oad by lever Lh transmission kit SD400 mm		1
3	0240-05576	End cap lever oad by lever		1
4	1432930	Oad by lever reverse link + fixation		1
5	1433010	Inversion link + fixation		1
6	1433006	Transmission link + fixation D400 mm		1
7	1433502	Kit axle rear wheel for oad by lever (side OAD by lever)		1
8	9742-84304	Hollow screw + ball + spring		1
9	9028-40005	Oad by lever spring + cam		1
10	1433009	Driving cam completed		1
11	1435910	Oad By Lever Rh Transmission Kit SD450 mm		1
12	1435911	Oad By Lever Lh Transmission Kit SD450 mm		1
13	1435912	Transmission Link + Fixation D450 mm		1
14	1442034	Oad By Lever Brake Kit D450 mm		1
15	1534887	Rear wheel support for fixed axle		1

# Wheels For Oad By Lever



Pos.	Part number	Description	Valid from → until	Qty
1	1509380	24" x 1.3/8" oad spoked wheel + pneumatic tyre		2
1.1	0036-30001	Pneumatic Tyre, 24" x 1.3/8", Grey		2
1.2	0036-40003	Rim tape 24"		2
1.3	0036-20001	Inner Tube 24"x1"3/8"		2
2	1509381	24" x 1.3/8" oad spoked wheel + solid tyre		2
2.1	0036-10013	Solid tyre, 24" x 1.3/8", grey		2

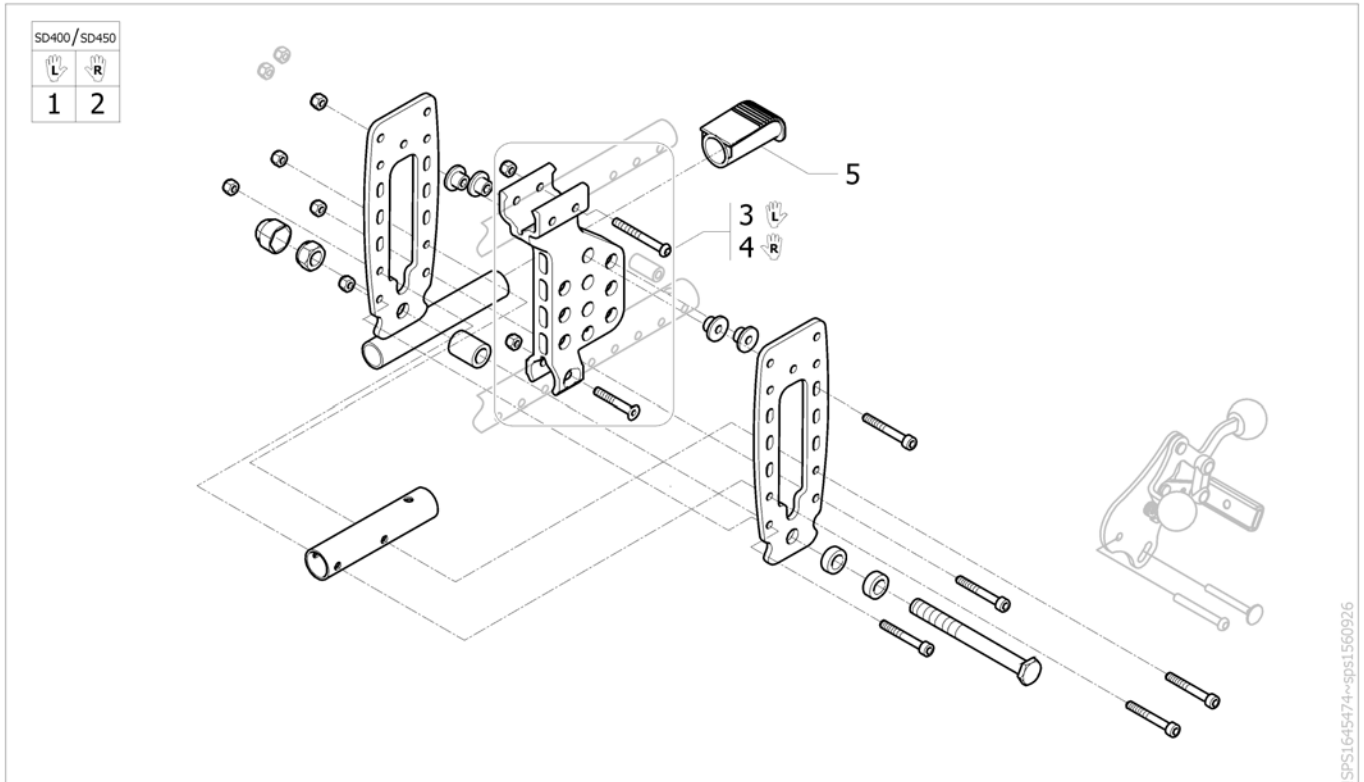
# Rear wheel support transit



ISPS1535357

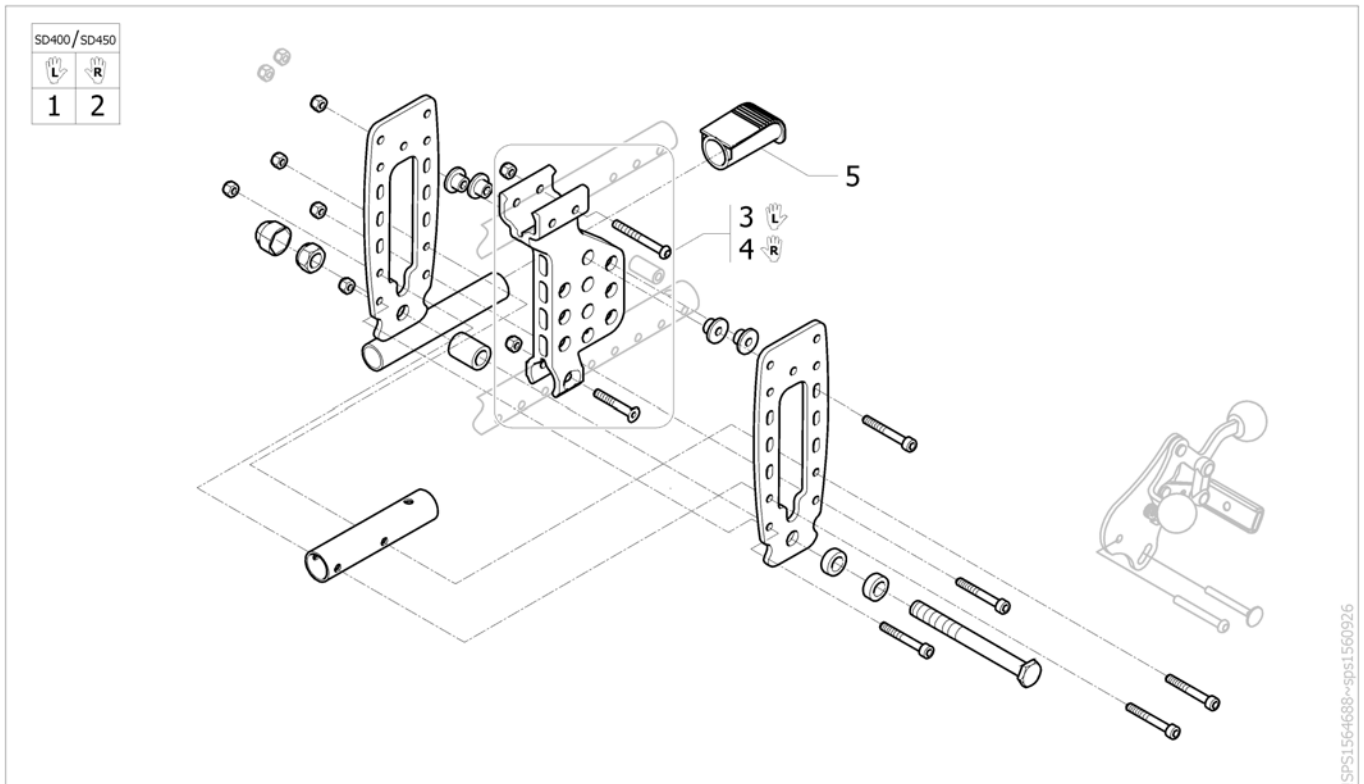
Pos.	Part number	Description	Valid from → until	Qty
1	1431280	Kit rear wheel support transit + axle for standard brake		2
2	1431281	Kit rear wheel support transit + axle for hub brake pneumatic tyre		2
3	1558362	Kit rear wheel support transit + axle for hub brake solid tyre SD400mm		2
4	1558361	Kit rear wheel support transit + axle for hub brake solid tyre SD450mm		2
5	SP1636841	Kit axle, transit wheel, manual brake, SD400/450 mm (A3NG)		2
6	SP1636842	Kit axle, transit wheel, pneumatic tyre, hub brake, SD400/450 mm (A3NG), SD200/350/375 mm (A3J)		2
7	SP1636843	Kit axle, transit wheel, solid tyre, hub brake, SD400/450 mm (A3NG)		2
8	0021N20030	C54 Plastic Cap BlackRear Whl		2
9	0021-20011	Black end cap for tipping aid		2
10	1428838	Washer Transit P1		4

## Support transit amputee Black 2017.09.18 =>



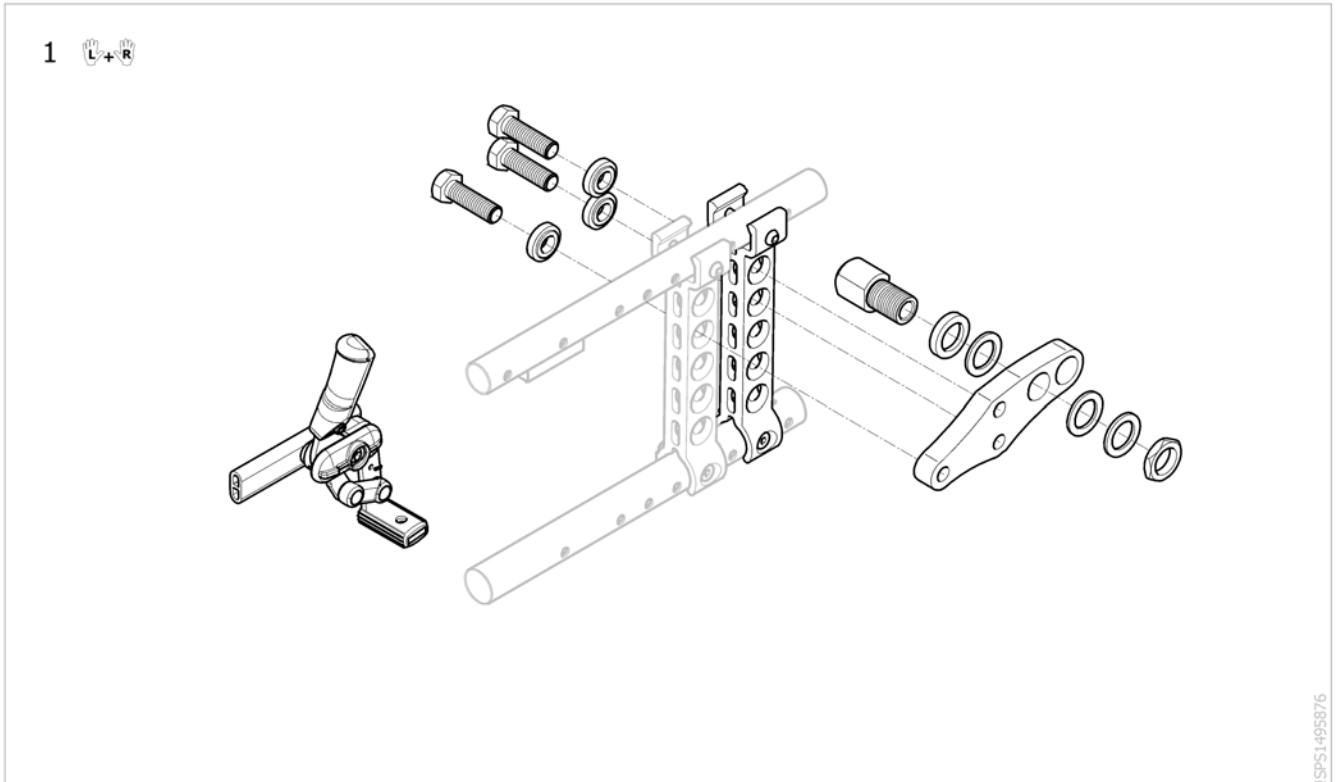
Pos.	Part number	Description	Valid from → until	Qty
1	SP1645475	Kit support transit left double amputee rear wheel Black SD305/380	2017-09-18 →	1
2	SP1645476	Kit support transit right double amputee rear wheel Black SD305/380 A3	2017-09-18 →	1
3	SP1645451	Transit left amputee rear wheel support Black	2017-09-18 →	1
4	SP1645452	Transit right amputee rear wheel support Black	2017-09-18 →	1
5	0021-20011	Black end cap for tipping aid		2

## Support transit amputee =>2017.09.17



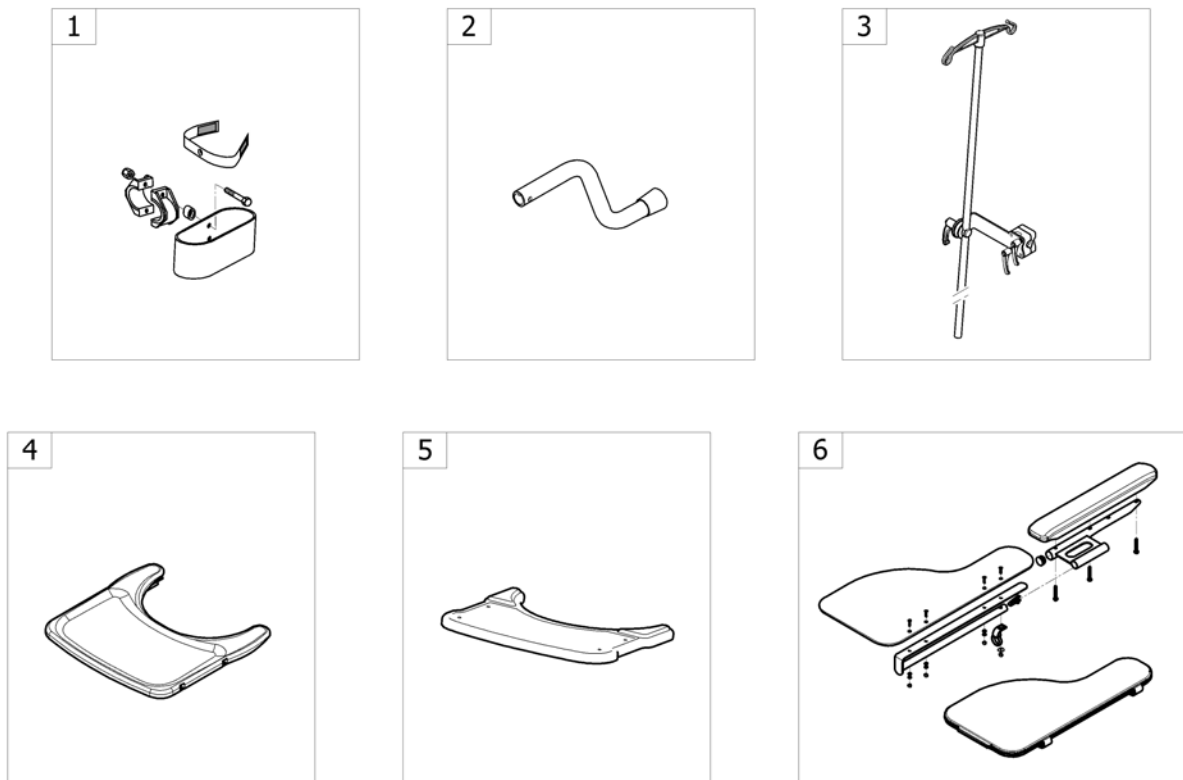
Pos.	Part number	Description	Valid from → until	Qty
1	1564684	Kit support transit left double amputee rear wheel SD305/380 A3Junior SD400/450 A3NG		1
2	1564685	Kit support transit right double amputee rear wheel SD305/380 A3 Junior SD400/450 A3NG		1
3	1564596	Transit left amputée rear wheel support		1
4	1564597	Transit right amputee rear wheel support		1
5	0021-20011	Black end cap for tipping aid		2





Pos.	Part number	Description	Valid from → until	Qty
1	AP1468002	Dual Amputee Black Position Kit (pair)		1

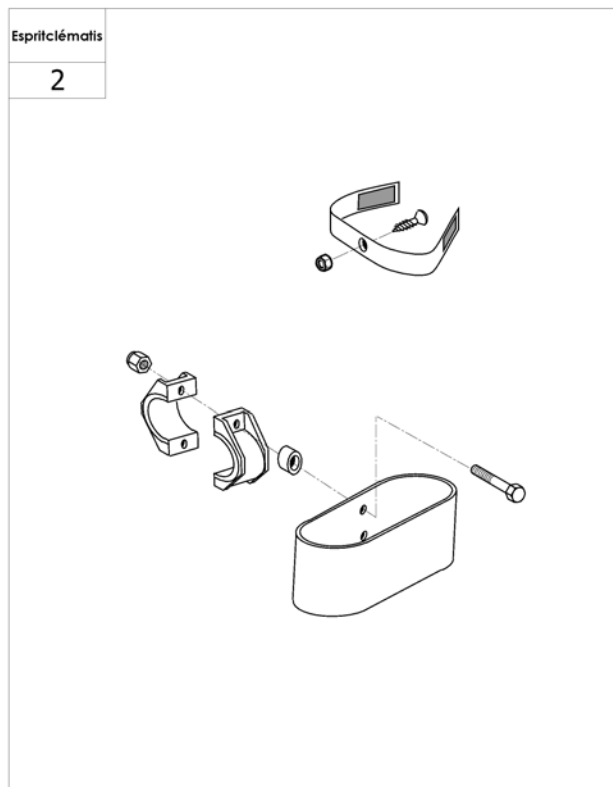
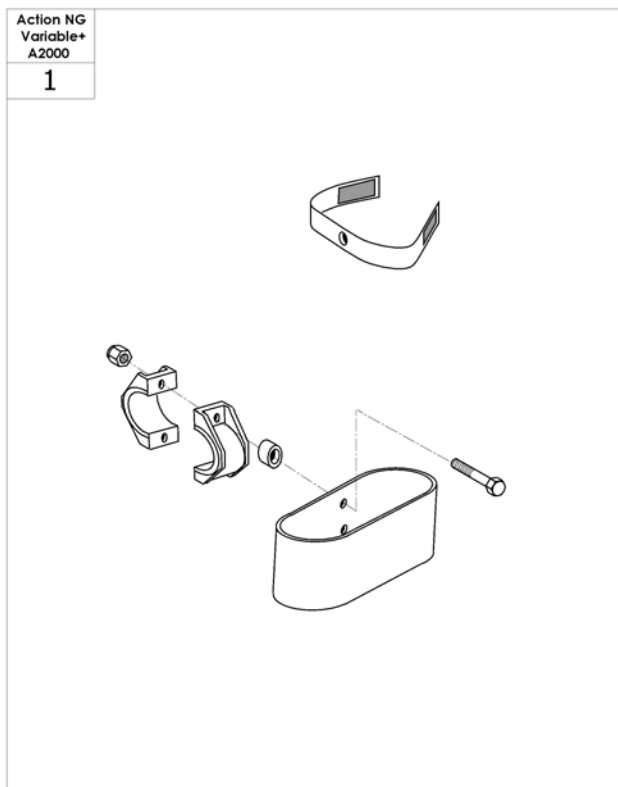
## Others Options & Accessories



-<SPCACTION3NG98

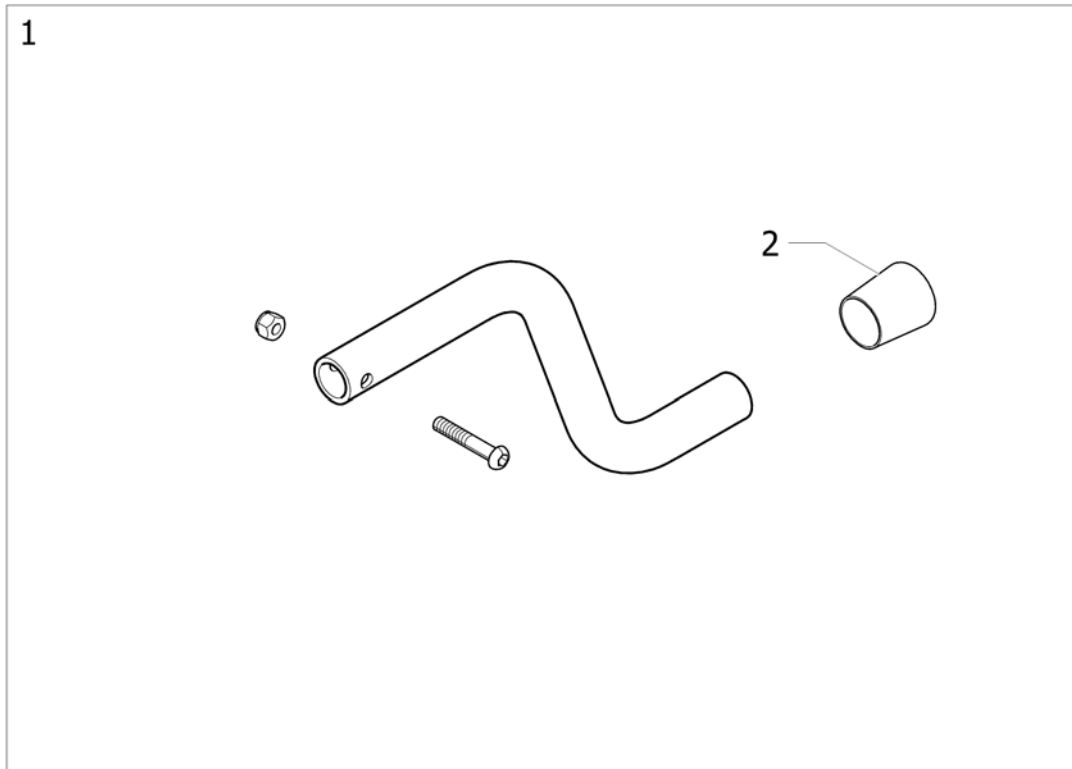
Pos.	Part number	Description	Valid from → until	Qty
1	-	Cane holder [CE_1430]		1
2	-	Tipping tube [CE_1440/CE_1441]		1
3	-	Dripstand [CE_1451]		1
4	-	Tray [CE_1480]		1
5	-	Comfort tray [CE_1481/CE_1482]		1
6	-	Half tray padding [CE_1483/CE_1484/CE_1485]		1

## Cane holder



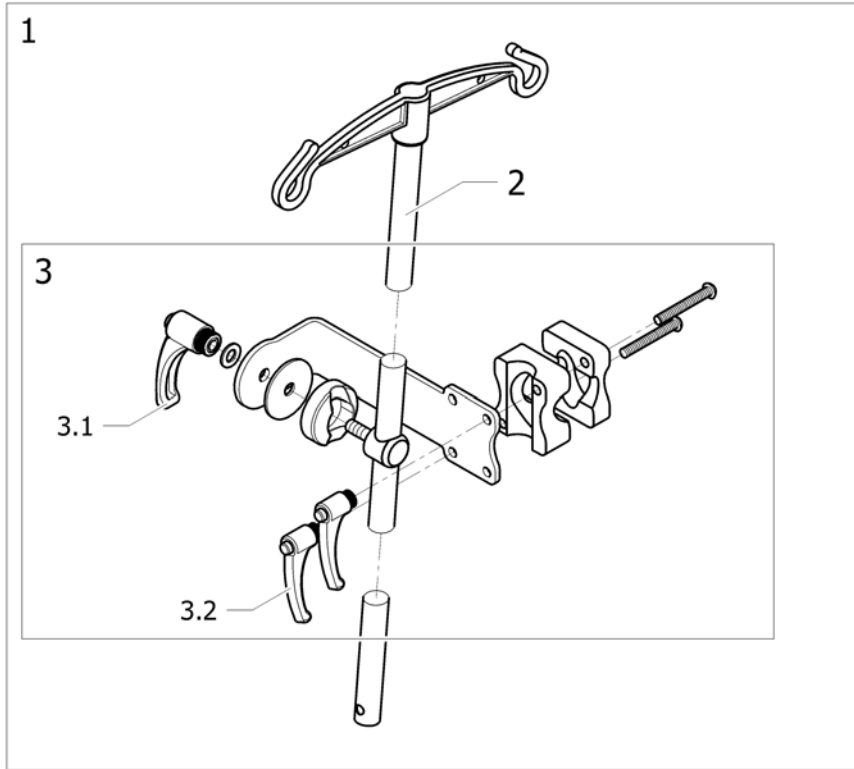
Pos.	Part number	Description	Valid from → until	Qty
1	0572-02056	Cane holder		1
2	1568838	Cane Holder Esprit Clem		1

# Tipping tube



Pos.	Part number	Description	Valid from → until	Qty
1	0572-05143	Tipping Tube		1
2	0021-30015	22mm Ext Cap		1

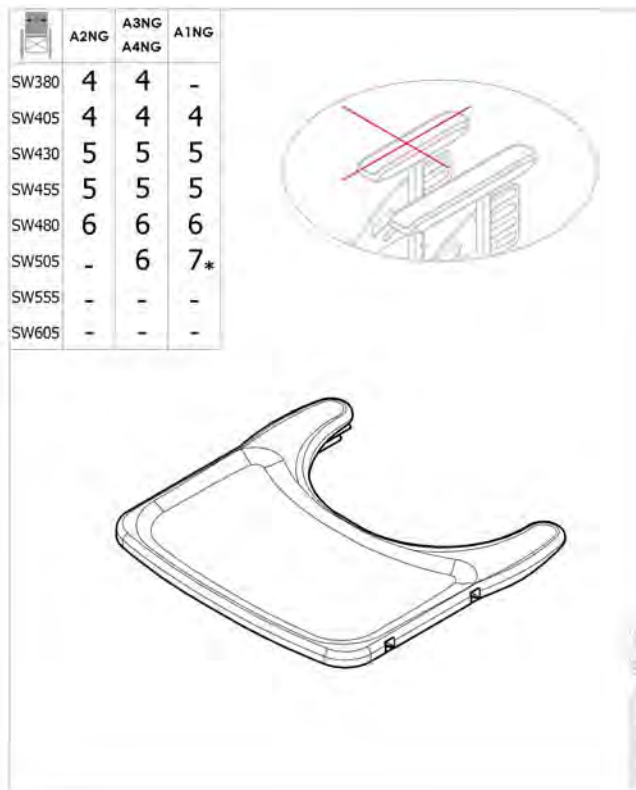
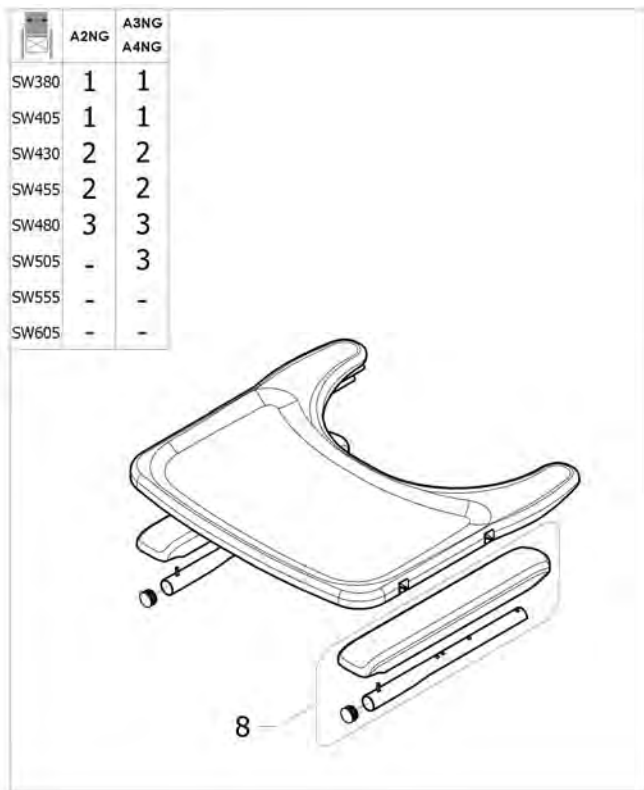
# Dripstand



!SPS1535040

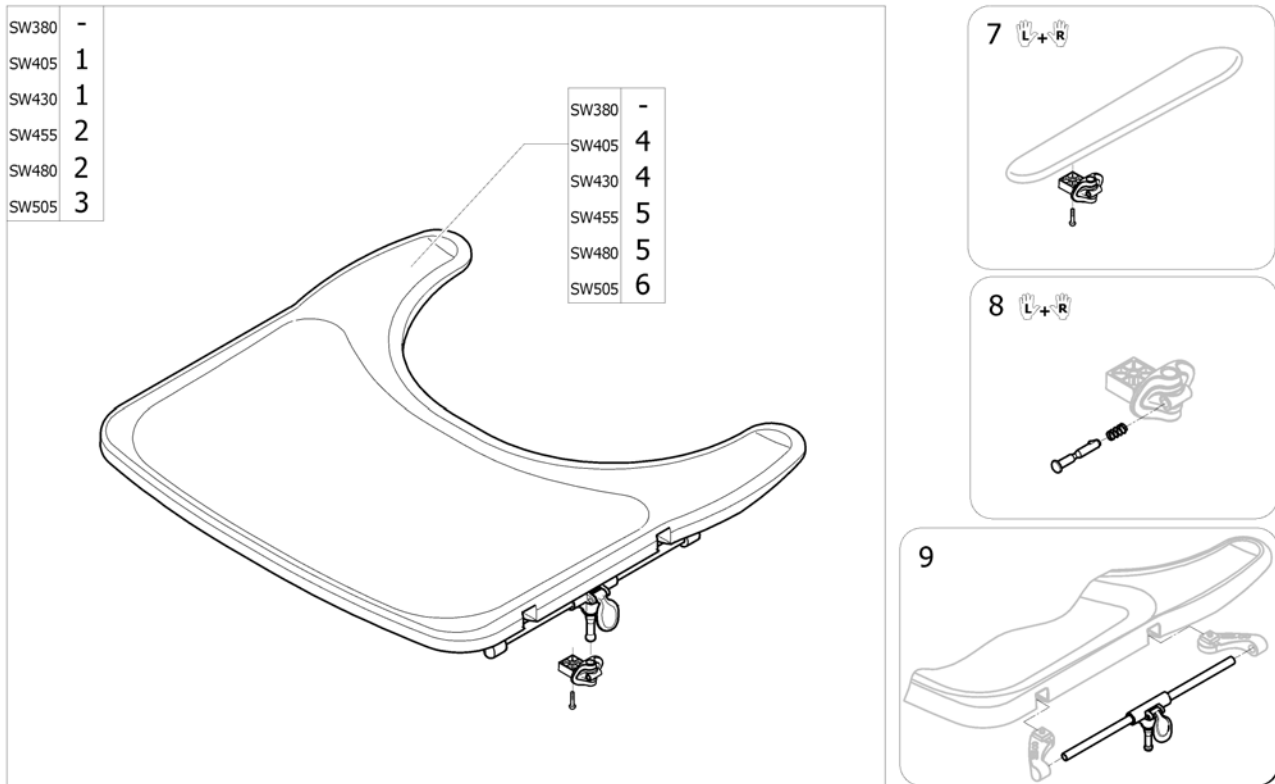
Pos.	Part number	Description	Valid from → until	Qty
1	1534212	Dripstand mounted on back brace		1
2	2240-06160	Dripstand		1
3	1541969	Drip stand support on backbrace		1
3.1	0021-70011	Indexable lever 63 mm M8		1
3.2	1428547	Indexable Lever; Female M6		2

# Tray



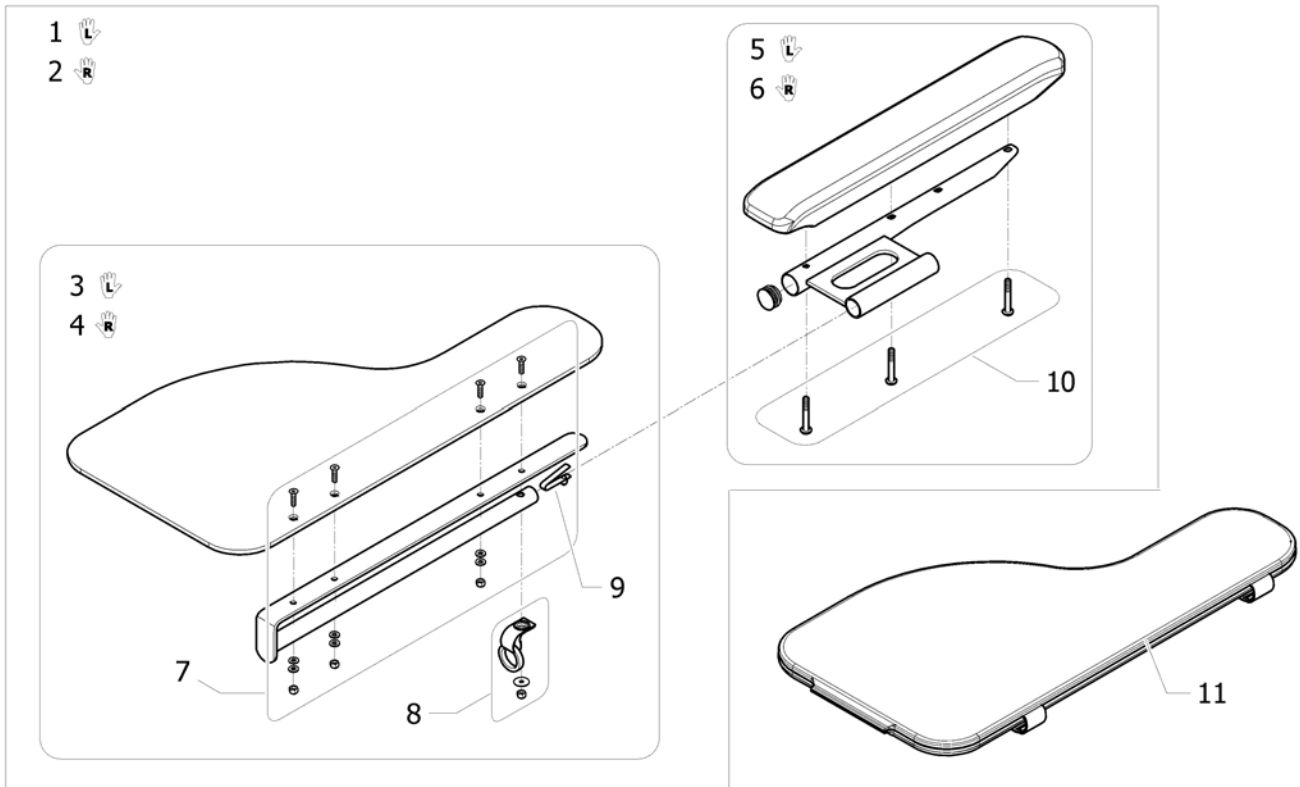
Pos.	Part number	Description	Valid from → until	Qty
1	AP1606299	Slided tray, Small, with long armpad kit <i>Replace 1450921/1450922/1450923</i>		1
2	AP1606300	Slided tray, Medium, with long armpad kit <i>Replace 1450924/1450925</i>		1
3	AP1606301	Slided tray, Large, with long armpad kit <i>Replace 1450926</i>		1
4	AP1601454	Slided tray, Small <i>Replace 1450921/1450922/1450923</i>		1
5	AP1601458	Slided tray, Medium <i>Replace 1450924/1450925</i>		1
6	AP1601459	Slided tray, Large <i>Replace 1450926</i>		1
7	1551083	Transparent tray Action1NG with anti_slip mat SW510 mm <i>*Only for Action 1NG SW505</i>		1
8	1543247	Kit long armpad 380 mm + 3 screws		2

## Comfort tray



Pos.	Part number	Description	Valid from → until	Qty
1	SP1570748	TABLE TRAY MEDIUM INCL. MOUNTING KIT		1
2	SP1570749	TABLE TRAY LARGE INCL. MOUNTING KIT		1
3	SP1570775	TABLE TRAY X-LARGE INCL. MOUNTING KIT		1
4	SP1567518	TABLE TRAY MEDIUM		1
5	SP1567519	TABLE TRAY LARGE		1
6	SP1568862	TABLE TRAY X-LARGE		1
7	SP1570745	MOUNTING KIT, TABLE		1
8	SP1572460	LOCKING DEVICE, KIT, TABLE		1
9	SP1570675	Table depth adjustment device		1

## Half tray padding



Pos.	Part number	Description	Valid from → until	Qty
1	AP1604623	Half tray Lh with long armrest support		1
2	AP1604624	Half tray Rh with long armpad support		1
3	SP1603597	Half tray, left		1
4	SP1603596	Half tray, right		1
5	SP1605857	Left half tray weld support + long armpad		1
6	SP1605858	Right half tray weld support + long armpad		1
7	SP1605859	Fixing kit half tray		1
8	SP1605860	Rear maintains strap kit for half tray		1
9	0027-10003	Spring pin locked armrest		1
10	1430424	Armrest 2 Screws Kit N°2		1
11	AP1604625	Half Tray padding		1







Yes, you can.®



---

**Belgium & Luxemburg:**

Invacare nv, Autobaan 22, B-8210 Loppem  
Tel: (32) (0)50 83 10 10, Fax: (32) (0)50 83 10 11  
belgium@invacare.com / www.invacare.be

**Denmark:**

Invacare A/S, Sdr. Ringvej 37, DK-2605 Brøndby  
Tel: (45) (0)36 90 00 00, Fax: (45) (0)36 90 00 01  
denmark@invacare.com / www.invacare.dk

**Deutschland:**

Invacare Aquatec GmbH, Alemannenstraße 10, D-88316 Isny  
Tel: (49) (0)75 62 7 00 0, Fax: (49) (0)75 62 7 00 66  
info@invacare-aquatec.com / www.invacare-aquatec.de

**European Distributor Organisation:**

Invacare, Kleiststraße 49, D-32457 Porta Westfalica  
Tel: (49) (0)57 31 754 540, Fax: (49) (0)57 31 754 541  
edo@invacare.com / www.invacare.eu.com

**España:**

Invacare SA, c/Areny s/n, Polígon Industrial de Celrà, E-17460 Celrà (Girona)  
Tel: (34) (0)972 49 32 00, Fax: (34) (0)972 49 32 20  
contactsp@invacare.com / www.invacare.es

**France:**

Invacare Poirier SAS, Route de St Roch, F-37230 Fondettes  
Tel: (33) (0)2 47 62 64 66, Fax: (33) (0)2 47 42 12 24  
contactfr@invacare.com / www.invacare.fr

**Ireland:**

Invacare Ireland Ltd, Unit 5 Seatown Business Campus, Seatown Road, Swords, County Dublin - Ireland  
Tel: (353) 1 810 7084, Fax: (353) 1 810 7085  
ireland@invacare.com / www.invacare.ie

**Italia:**

Invacare Mecc San s.r.l., Via dei Pini 62, I-36016 Thiene (VI)  
Tel: (39) 0445 38 00 59, Fax: (39) 0445 38 00 34  
italia@invacare.com / www.invacare.it

**Nederland:**

Invacare BV, Celsiusstraat 46, NL-6716 BZ Ede  
Tel: (31) (0)318 695 757, Fax: (31) (0)318 695 758  
nederland@invacare.com, csede@invacare.com / www.invacare.nl

**Norge:**

Invacare AS, Grensesvingen 9, Postboks 6230, Etterstad, N-0603 Oslo  
Tel: (47) (0)22 57 95 00, Fax: (47) (0)22 57 95 01  
norway@invacare.com, island@invacare.com / www.invacare.no

**Österreich:**

Invacare Austria GmbH, Herzog Odilostrasse 101, A-5310 Mondsee  
Tel: (43) 6232 5535 0, Fax: (43) 6232 5535 4  
info-austria@invacare.com / www.invacare.at

**Portugal:**

Invacare Lda, Rua Estrada Velha, 949, P-4465-784 Leça do Balio  
Tel: (351) (0)225 1059 46147, Fax: (351) (0)225 1057 39  
portugal@invacare.com / www.invacare.pt

**Sverige & Suomi:**

Invacare AB, Fagerstagatan 9, S-163 91 Spånåsa  
Tel: (46) (0)8 761 70 90, Fax: (46) (0)8 761 81 08  
sweden@invacare.com, finland@invacare.com / www.invacare.se

**Switzerland:**

Invacare AG, Benkenstrasse 260, CH-4108 Witterswil  
Tel: (41) (0)61 487 70 80, Fax: (41) (0)61 487 70 81  
switzerland@invacare.com / www.invacare.ch

**United Kingdom:**

Invacare Limited, Pencoed Technology Park, Pencoed, Bridgend CF35 5AQ  
Switchboard Tel: (44) (0)1656 776200, Fax: (44) (0)1656 776201  
Customer services Tel: (44) (0)1656 776222, Fax: (44) (0)1656 776220  
uk@invacare.com / www.invacare.co.uk