



nVader

BY [FLARESPACE]

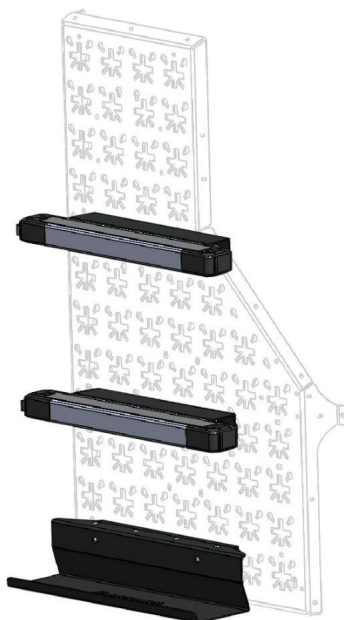
SKI RACK INSTRUCTIONS

These instructions cover installation of the Flarespace ski rack onto the nVader Rack and other universal mounting systems.

[FLARESPACE]

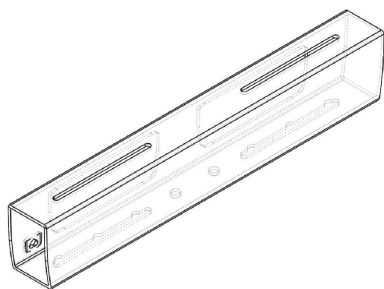
SKI HOLDER KIT

ASSEMBLY AND INSTALL INSTRUCTIONS

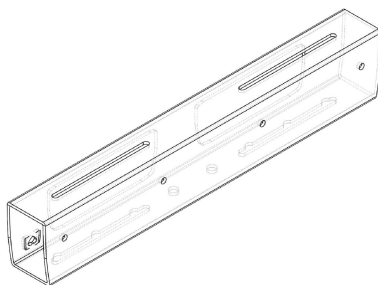


Included Components:

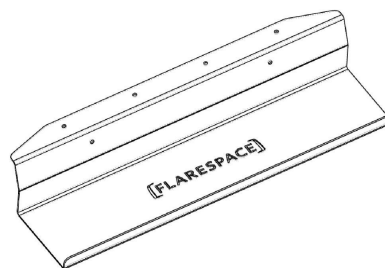
- (2) Ski Holder Spacer
- (1) Tray Spacer
- (1) Ski Tray
- (1) Hardware Pack
- (1) Thule Snowpack Kit - if option selected



Ski Holder Spacer



Tray Spacer



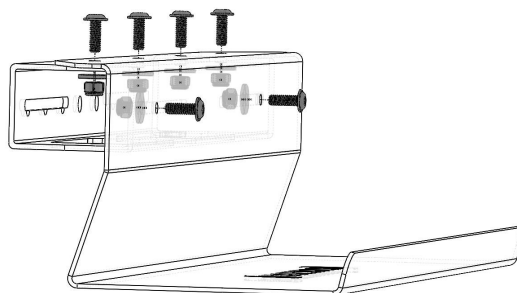
Ski Tray

This ski rack adapter kit was designed to be compatible with the Thule Snowpack M ski rack. Other ski racks use similar designs and attachment methods and are likely compatible. Other racks have not been tested and cannot be recommended by Flarespace.

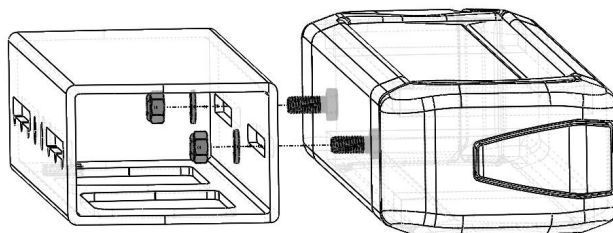
Assembly:

- 1) Connect Ski Tray to Tray Spacer using the $\frac{1}{4}$ "-20 hardware. To ease installation, insert and start threading all hardware before tightening any hardware all the way.

NOTE: The Tray Spacer can be differentiated from the Ski Holder Spacers by the 4 additional holes located on one face of the part.

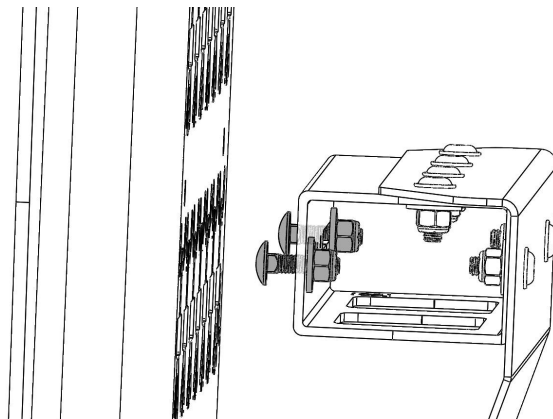


- 2) Connect your ski racks to the Part 1 - Adapter Spacers. The Thule Snowpack bars require you to peel up the lower rubber portion of the ski rack to insert the hex bolt into the rack. Slide the M6 hex head bolts through the bottom of the Thule bars, then attach to the Adapter Spacer as shown using the M6 washer and nylon locking nut. Be sure to center the Thule bar on the Adapter Spacer before tightening hardware.

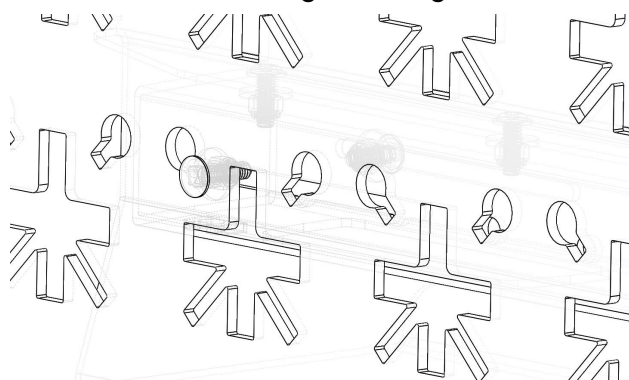


Attach to an nVader Rack:

- 1) Insert two ¼" carriage bolts into the Adapter spacer slots. Add a ¼" washer and nylon lock nut to each carriage bolt. Stop threading the nut as the threads begin to show through the nut.



- 2) Attach the Tray assembly first in the lowest available section of the rack. Do this by sliding the head of the carriage bolt through the appropriate slotted holes as shown - image shows a view from the back side. Adjustment left to right is your choice. Flarespace advises as far to the outside edge without leaving hanging the racks outside the edge of the van or covering the taillights.



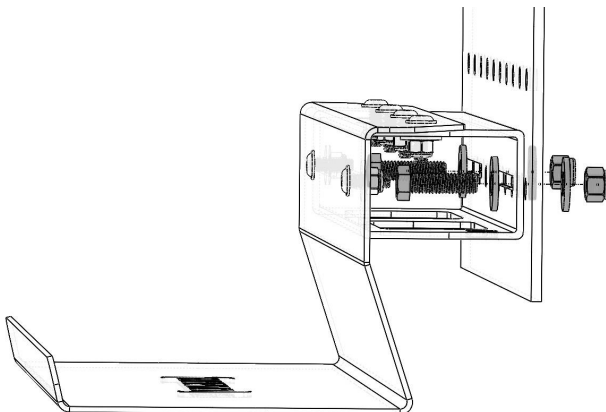
- 3) Attach the remaining sections the same way, keeping them vertically aligned with the tray section.

NOTE: The vertical spacing for the ski racks will need to be determined by your ski/snowboard lengths. Generally it is advised that the skis/snowboards be gripped outside the bindings and be able to rest on the tray.

Attach to rack with standard round holes (Owl Vans - Sherpa)

- 1) Attach the Adapter spacer to the rack using the $\frac{3}{8}$ " hardware. This can be done with the bolt running from the Adapter Spacer side toward the rack as shown, or with the bolt coming from the rack toward the Adapter spacer.

NOTE: Attach the Tray assembly first in the lowest available section of the rack. Flarespace advises as far to the outside edge without leaving hanging the racks outside the edge of the van or covering the taillights.



- 2) Attach the remaining sections the same way, keeping them vertically aligned with the tray section.

NOTE: The vertical spacing for the ski racks will need to be determined by your ski/snowboard lengths. Generally it is advised that the skis/snowboards be gripped outside the bindings and be able to rest on the tray.